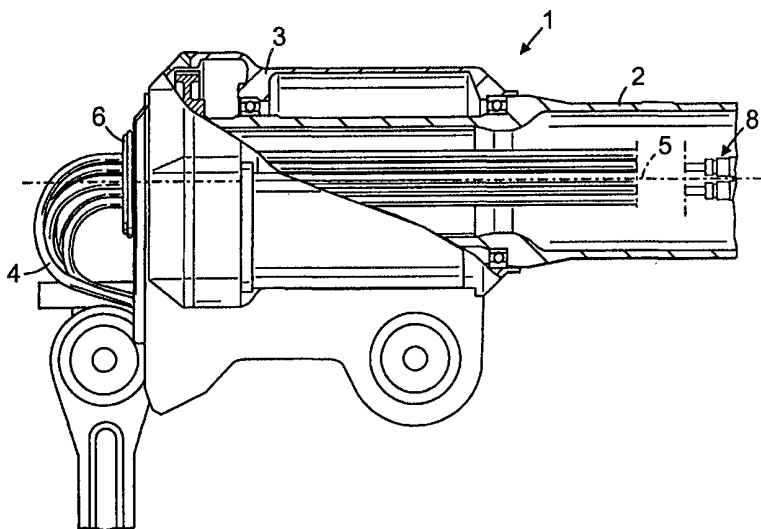




INTERNATIONAL APPLICATION PUBLISHED UNDER THE PATENT COOPERATION TREATY (PCT)

<p>(51) International Patent Classification ⁷ : B25J 17/00</p>	<p>A1</p>	<p>(11) International Publication Number: WO 00/25992</p> <p>(43) International Publication Date: 11 May 2000 (11.05.00)</p>
<p>(21) International Application Number: PCT/SE99/01865</p> <p>(22) International Filing Date: 15 October 1999 (15.10.99)</p> <p>(30) Priority Data: 9803545-4 16 October 1998 (16.10.98) SE</p> <p>(71) Applicant (for all designated States except US): ABB AB [SE/SE]; S-721 83 Västerås (SE).</p> <p>(72) Inventors; and (75) Inventors/Applicants (for US only): SALOMONSSON, Dan [SE/SE]; Kristiansborgsallén 5 A, S-722 19 Västerås (SE). NISSFOLK, Rafael [SE/SE]; Bandygatan 24, S-722 40 Västerås (SE).</p> <p>(74) Agents: GRIP, Joakim et al.; AB Stockholms Patentbyrå, Zacco & Bruhn, Box 23101, S-104 35 Stockholm (SE).</p>		<p>(81) Designated States: AE, AL, AM, AT, AT (Utility model), AU, AZ, BA, BB, BG, BR, BY, CA, CH, CN, CR, CU, CZ, CZ (Utility model), DE, DE (Utility model), DK, DK (Utility model), DM, EE, EE (Utility model), ES, FI, FI (Utility model), GB, GD, GE, GH, GM, HR, HU, ID, IL, IN, IS, JP, KE, KG, KP, KR, KZ, LC, LK, LR, LS, LT, LU, LV, MA, MD, MG, MK, MN, MW, MX, NO, NZ, PL, PT, RO, RU, SD, SE, SG, SI, SK, SK (Utility model), SL, TJ, TM, TR, TT, TZ, UA, UG, US, UZ, VN, YU, ZA, ZW, ARIPO patent (GH, GM, KE, LS, MW, SD, SL, SZ, TZ, UG, ZW), Eurasian patent (AM, AZ, BY, KG, KZ, MD, RU, TJ, TM), European patent (AT, BE, CH, CY, DE, DK, ES, FI, FR, GB, GR, IE, IT, LU, MC, NL, PT, SE), OAPI patent (BF, BJ, CF, CG, CI, CM, GA, GN, GW, ML, MR, NE, SN, TD, TG).</p> <p>Published With international search report. In English translation (filed in Swedish).</p>

(54) Title: INDUSTRIAL ROBOT AND CABLE GUIDING DEVICE FOR THIS ROBOT AND USE OF THE DEVICE



(57) Abstract

The present invention relates to an industrial robot with an upper robot arm (1) that comprises a first arm part (2) arranged to rotate at a second arm part (3), whereby a cable set (4) extends through both arm parts whereby a guiding device (6) for the cable set is arranged at the upper robot arm where the guiding device comprises cavities (21, 22) running through it arranged to guide at least one line within it in a sideways direction and to allow the displacement of at least one line within it in a longitudinal direction. The present invention also relates to a guiding device for a cable set for an industrial robot with a rotatable robot arm and to a use of the guiding device for an industrial robot with a rotatable robot arm.

FOR THE PURPOSES OF INFORMATION ONLY

Codes used to identify States party to the PCT on the front pages of pamphlets publishing international applications under the PCT.

AL	Albania	ES	Spain	LS	Lesotho	SI	Slovenia
AM	Armenia	FI	Finland	LT	Lithuania	SK	Slovakia
AT	Austria	FR	France	LU	Luxembourg	SN	Senegal
AU	Australia	GA	Gabon	LV	Latvia	SZ	Swaziland
AZ	Azerbaijan	GB	United Kingdom	MC	Monaco	TD	Chad
BA	Bosnia and Herzegovina	GE	Georgia	MD	Republic of Moldova	TG	Togo
BB	Barbados	GH	Ghana	MG	Madagascar	TJ	Tajikistan
BE	Belgium	GN	Guinea	MK	The former Yugoslav Republic of Macedonia	TM	Turkmenistan
BF	Burkina Faso	GR	Greece	ML	Mali	TR	Turkey
BG	Bulgaria	HU	Hungary	MN	Mongolia	TT	Trinidad and Tobago
BJ	Benin	IE	Ireland	MR	Mauritania	UA	Ukraine
BR	Brazil	IL	Israel	MW	Malawi	UG	Uganda
BY	Belarus	IS	Iceland	MX	Mexico	US	United States of America
CA	Canada	IT	Italy	NE	Niger	UZ	Uzbekistan
CF	Central African Republic	JP	Japan	NL	Netherlands	VN	Viet Nam
CG	Congo	KE	Kenya	NO	Norway	YU	Yugoslavia
CH	Switzerland	KG	Kyrgyzstan	NZ	New Zealand	ZW	Zimbabwe
CI	Côte d'Ivoire	KP	Democratic People's Republic of Korea	PL	Poland		
CM	Cameroon	KR	Republic of Korea	PT	Portugal		
CN	China	KZ	Kazakstan	RO	Romania		
CU	Cuba	LC	Saint Lucia	RU	Russian Federation		
CZ	Czech Republic	LI	Liechtenstein	SD	Sudan		
DE	Germany	LK	Sri Lanka	SE	Sweden		
DK	Denmark	LR	Liberia	SG	Singapore		
EE	Estonia						

Industrial robot and cable guiding device
for this robot and use of the device.

TECHNICAL FIELD

5 The present invention relates to an industrial robot with an upper robot arm according to the type described in the introduction to claim 1. The present invention also relates to guiding device for a cable set for an industrial robot with a rotatable robot arm and to a use of the guiding device for a cable set for an industrial robot with a rotatable robot arm.

10 PRIOR ART

It has been common to draw cable sets for industrial robots on the outside. However, during recent years, it has become more common to try and draw the cable set within the robot. This protects the cables from damage and breakage and avoids loose cables getting
15 in the way in the working area around the robot.

In a hollow elongated rotatable robot arm, it is previously known to draw two cable sets, normally a power cable and a signal cable. Drawing additional cables internally, bulky and stiff cables, for example, has been regarded as difficult and as significantly restricting the
20 rotational movement of the robot arm. The cable set described below refers to one or more cables and/or lines for electricity, fluids, other media, etc. and can even refer to empty flexible protective coverings inside of which one or more lines or cables can be arranged.

It has been previously known to only arrange separate holders for individual cable sets,
25 cables or lines. However, separate holders do not allow the introduction of a whole cable set that is complete from the foot of the robot up to the upper arm of the robot and that can be drawn within the robot. Neither does the use of separate holders in the arm of the robot allow the use of additional more rigid cable sets for pressurised air, welding etc. as the movement of rotation of the robot arm is restricted. The use of separate holders for each
30 cable set makes it difficult to efficiently fit and replace cable sets. It is thus important to be able to quickly and simply introduce and remove cable sets in the robot.

A further problem that arises when cable sets are drawn internally is that the component lines wear against one another and against the inner walls of the robot arm during long periods of use.

5 It has hitherto been considered to be necessary to arrange the cable sets in swivel or spiral forms. In this respect, however, the movement of rotation of the robot arm has in practice been restricted to a maximum of $\pm 250^\circ$. With a rotation of the robot arm as named below, it is considered that the robot arm also performs a movement of rotation. In addition, spiral formed cables are bulky, costly, complicated and have a relatively short
10 working life.

The general design of an industrial robot with a rotatable upper robot arm of the type named here can have the appearance of the construction design described in US-A-5,564,312.

15

An industrial robot with a rotatable upper robot arm is previously known from SE-A-9004150. Here a cable set that extends through the robot arm is attached in two holders arranged around the axis of rotation at an axial distance from one another.

20 SUMMARY OF THE INVENTION

The present invention aims to minimise the disadvantages named above according to the prior art. The aim of the present invention is thus, among other things, to achieve a cable set that can be drawn internally within a robot arm of an industrial robot where the cable
25 set withstands the mechanical stresses to which it is exposed during the rotation movement of the robot arm. In addition, the intention is to achieve a cable set arrangement that is simple and cost effective and that is easy to fit and/or replace as well as repair.

The solution is found with an industrial robot with the features stated in claim 1. More
30 specifically, according to claim 1, the present invention relates to an industrial robot with an upper robot arm that comprises a first arm part arranged to rotate around its own longitudinal direction at a second arm part, whereby the cable set extends through both

arm parts, whereby a guiding device for the cable set is arranged at the upper robot arm, where the guiding device comprises through cavities arranged to guide at least one line within it in a sideways direction and to allow the displacement of at least one line within it in a longitudinal direction. One advantage of this is that the cable set is allowed to perform a relatively large rotational movement without the cable set getting entangled or without damage or a bad contact arising. This ensures a long working life for the cable set. Due to the present invention, a means of simply and efficiently replacing the cable set is also achieved. A further advantage is that different users of industrial robots can quickly and easily install a cable set of their choice, e.g. welding cables, tool cables, water piping or a pressurised air line.

The present invention also comprises a guiding device for a cable set for an industrial robot with a rotatable robot arm with the features stated in claim 8, whereby the guiding device for the cable set comprises a plate for guiding the cable set with ring-shaped cavities and a holder for the plate for guiding the cable set.

With the guiding device for a cable set according to the present invention, the rotating arm part can display a movement of rotation up to at least $\pm 300^\circ$ without the cable becoming entangled and without bad contact or wear of the cable set arising.

When the robot arm is turned or rotated to its furthest end position, e.g. 300° or more in any direction, the cable set is, as a consequence, thus fully extended. During a movement of rotation of the robot, therefore, it is necessary that the cable set is slack at the initial starting position of the robot arm. In this respect, the cable set can be slack in that part of the cable set that is inside and/or outside the upper arm of the robot. Slack means that a part of the cable set can hang freely and not be under tension. A cylinder for surrounding the cable set can even be suitable to arrange centrally in the robot arm around the axis of rotation with the aim of supporting a slack cable set.

The guiding device, comprising the plate for guiding the cable set with ring-shaped cavities and the holder for the plate for guiding the cable set, is preferably disk-shape

designed. The guiding device can be executed in a material of one's own discretion, such as metal sheet plate, aluminium or plastic.

5 The plate for guiding the cable set is preferably provided with a central cavity intended, for example, for a bulky and rigid cable set such as a pressurised air line or a welding cable. According to the invention, the described industrial robot, which can also be termed a manipulator with a guiding device, is of a type intended to support weights of at least 50-60 kg.

10 The present invention also relates to a use of the said guiding device for an industrial robot with a rotatable robot arm. In this respect, the use of a guiding device for the cable set with the features stated in claim 8 at the upper robot arm is suitably to guide at least one line within it in a sideways direction and to allow the displacement of at least one line within it in a longitudinal direction.

15

DESCRIPTION OF THE DRAWINGS

The invention is described in more detail in the form of a non-limiting example of an embodiment with the aid of the enclosed drawings, where

20

Fig. 1 shows a side view, partly in section and partly as a vertical cross-section of an upper robot arm for an industrial robot.

Fig. 2 shows a view from above in a horizontal cross-section of the upper robot arm in

25 Fig. 1.

Fig. 3 shows a perspective view of a plate for guiding a cable set for an industrial robot with a rotatable robot arm according to the invention.

30 Fig. 4 shows a perspective view of a holder for the plate for guiding a cable set in Fig. 3.

Fig. 5 shows a plane side view of the plate for guiding a cable set according to Fig. 3 arranged in the holder according to Fig. 4 fitted in an attachment plate.

Fig. 6 shows a perspective view of the attachment plate according to Fig. 5 without the plate for guiding a cable set and the holder.

Fig. 7 shows a perspective view of the rear of the upper robot arm of an industrial robot with a guiding device according to one embodiment of the present invention.

10 DESCRIPTION OF EMBODIMENTS

The part of an industrial robot shown in Figs. 1 and 2 is an upper robot arm 1 that comprises a first arm part 2 joined to pivot in a second rear arm part 3. First arm part 2 pivots around an axis A. Second rear arm part 3 can in turn pivot or, alternately, rotate. A cable set 4 is arranged within upper robot arm 1 and extends through the whole of both arm parts 2, 3 of the upper robot arm 1. As well as such a cable set 4 normally comprising a power cable and a signal cable, it can also comprise a pressurised air line 5, that is suitably placed in the centre of the cable set. Even other cable sets, for example, a welding cable set, can be arranged within the upper robot arm 1 in a similar manner. A guiding device 6 for the cable sets is arranged in upper robot arm 1. Guiding device 6 is suitably firmly attached to the second rear arm part 3 with the aid of an attachment plate 7. Figs. 1 and 2 show the robot arm with its internally drawn cable sets in an initial starting position. Cable set 4 is firmly arranged 8 at the outermost forward part of the rotatable first arm part 2 to allow connection to, for example, tools or similar. During rotation of the first arm part 2, cable set 4 is fixed in a set position with guiding device 6 while the cable set within the forward part of arm part 2 follows this rotation. The cables included in cable set 4 will thus be exposed to a torsion effect, or to twisting, during rotation. Thanks to guiding device 6, it is ensured that cable set 4 will return to its previous position when the robot arm rotates back to its initial starting position.

30

Fig. 3 shows guiding device 6, which comprises a disk-shaped plate 20 for guiding the cable set with ring-shaped cavities 21, 22 and a holder 30 for the plate 20 for guiding the

cable set. The respective lines that make up cable set 4 can in this way each be placed individually in cavities 21, 22, whereby they are thus held apart from one another, guided in a sideways direction and arranged to be displaced in relation to one another. It is possible to locate a cable set comprising several lines in each respective cavity 21, 22, A pair of lines can be located in each respective cavity 21, 22, but it is preferable to arrange just a single line in each respective cavity 21, 22. Cavities 21, 22 are larger than the lines intended to be located there, whereby the respective lines in cable set 4 can still move and run freely in an axial direction through cavities 21, 22. There is thus a certain radial play for the line in the cavity. It is also important that the friction is low between the surrounding walls in the cavity and the line running through. The plate 20 for guiding the cable set can also comprise a central cavity intended for a large and rigid cable set, for example, such as a pressurised air line 5 or a welding cable. The ring-shaped cavities 21, 22 can suitably be arranged around the periphery of the plate for guiding the cable set, whereby the cavity has an opening 23 at the periphery along the edge of the plate for guiding the cable set. Openings 23 are constricted so that a line can be snapped into place in the cavity 22. To be able to fit and remove a cable set in the central cavity 22, the plate 20 for guiding the cable set can be opened whereby the plate 20 for guiding the cable set is suitably partly cut through so that a first channel 24 joins the central cavity 22 with one of the peripheral cavities 21 around the periphery of the plate for guiding the cable set. The plate 20 for guiding the cable set is suitably even cut through with a second channel 25 on the opposite side of the central cavity 22 so that the second channel 25 thus forms an extension of the first channel 24 in a radial direction. Thus, the plate 20 for guiding the cable set is largely cut through by a channel, which simplifies the fitting or removal of a cable set in the central cavity. The second channel 25 suitably opens into a joint 26, just inside a collar 27 that runs around the periphery of the plate for guiding the cable set, around which joint 26 the plate for guiding the cable set is hinged.

The plate 20 for guiding the cable set is intended to be arranged in a disk-shaped holder 30, shown in Fig. 4, in the form of a partially open ring 31. The collar 27 of the plate for guiding the cable set is intended to be arranged against the ring 31 of the holder. Holder 30 is provided with inwardly projecting lips 32, also known as tabs, adapted to fit a respective ring-shaped cavity 21 in the plate 20 for guiding the cable set. Thanks to the

lips 32, the lines located in the cavity 21 cannot fall out or become wedged fast in openings 23. The guiding device 6 for a cable set thus comprises a plate 20 for guiding the cable set and a holder 30 for the plate for guiding the cable set. When the guiding device is firmly fitted, it can be separated by removing the plate 20 for guiding the cable set from the holder 30. In this respect, the cable set can be fitted, replaced and/or repaired following which the plate 20 for guiding the cable set can be replaced in the holder 30.

Fig. 5 illustrates the guiding device for guiding a cable set according to one embodiment of the present invention arranged on an attachment plate 7 that is intended to be arranged on the upper robot arm of an industrial robot. The guiding device 6 here comprises the plate 20 for guiding the cable set according to Fig. 3 arranged in holder 30 according to Fig. 4. It is suitable to arrange attachment plate 7 with the guiding device 6 for guiding a cable set at the rear end of the upper robot arm, as is evident from Figs. 1 and 2. Fig. 6 shows attachment plate 7 according to Fig. 5 without the plate 20 for guiding the cable set and holder 30.

Fig. 7 illustrates the rear of an upper robot arm of an industrial robot with a guiding device 6 according to one embodiment of the present invention. As is evident from Fig. 7, the guiding device is here arranged on the rear end of the second arm part of the upper robot arm.

CLAIMS

1. Industrial robot with an upper robot arm (1) that comprises a first arm part (2) arranged to rotate around at a second arm part (3), whereby a cable set (4) extends through both
5 arm parts (2, 3), characterised in that a guiding device (6) for the cable set is arranged at the upper robot arm (1) where the guiding device comprises through cavities (21, 22) arranged to guide at least one line within it in a sideways direction and to allow the displacement of at least one line within it in a longitudinal direction.
- 10 2. Industrial robot according to claim 1, characterised in that the cavities (21, 22) are arranged to keep at least one line separately in them.
3. Industrial robot according to claim 1 or 2, characterised in that the guiding device (6) has a disk-like shape.
- 15 4. Industrial robot according to any of the previous claims, characterised in that the guiding device (6) for a cable set comprises a plate (20) for guiding the cable set with ring-shaped cavities (21, 22) and a holder (30) for the plate for guiding the cable set.
- 20 5. Industrial robot according to claim 4, characterised in that the guiding device (6) is arranged to be separated, whereby the plate (20) for guiding the cable set is dismountable arranged in holder (30).
6. Industrial robot according to claims 4-5, characterised in that the ring-shaped
25 cavity (21) is arranged at least around the periphery of the plate for guiding the cable set and that the holder (30) is provided with inwardly projecting lips (32) adapted to accommodate a respective ring-shaped cavity (21) of the plate (20) for guiding the cable set.
- 30 7. Industrial robot according to any of the previous claims, characterised in that the guiding device (6) for a cable set is arranged at the rear end of the upper robot arm (1).

8. Guiding device (6) for a cable set (4) for an industrial robot with an upper robot arm (1), characterised in that the guiding device (6) for the cable set comprises a plate (20) for guiding the cable set with through cavities (21, 22) and a holder (30) for the plate
5 for guiding the cable set.
9. Guiding device according to claim 8, characterised in that the plate (20) for guiding the cable set and the holder (30) have a disk-shaped design.
- 10 10. Guiding device according to claim 8 or 9, characterised in that the holder (30) is provided with inwardly projecting lips (32) adapted to accommodate a respective ring-shaped cavity (21) of the plate (20) for guiding the cable set.
11. Guiding device according to any of claims 8-10, characterised in that the plate
15 (20) for guiding the cable set can be opened.
12. Use of a guiding device (6) for the cable set, according to any of claims 8-11 for an industrial robot with an upper robot arm (1), to guide at least one line within it in a sideways direction and to allow the displacement of at least one line within it in a
20 longitudinal direction.
-

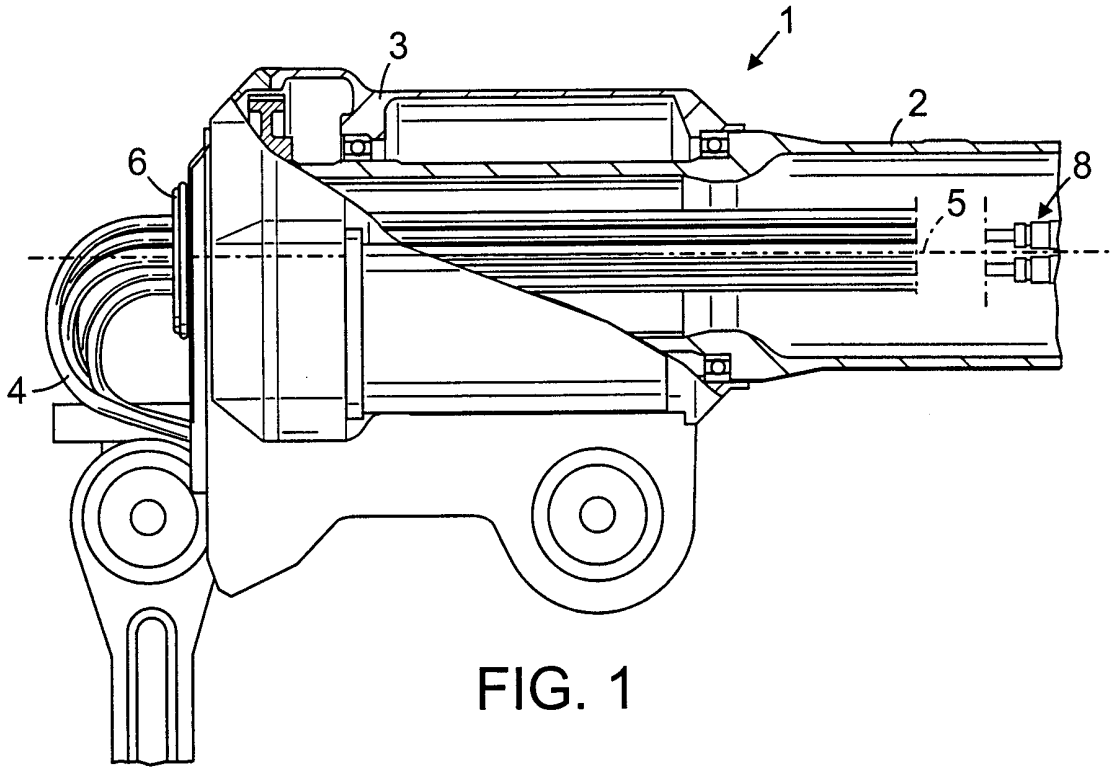


FIG. 1

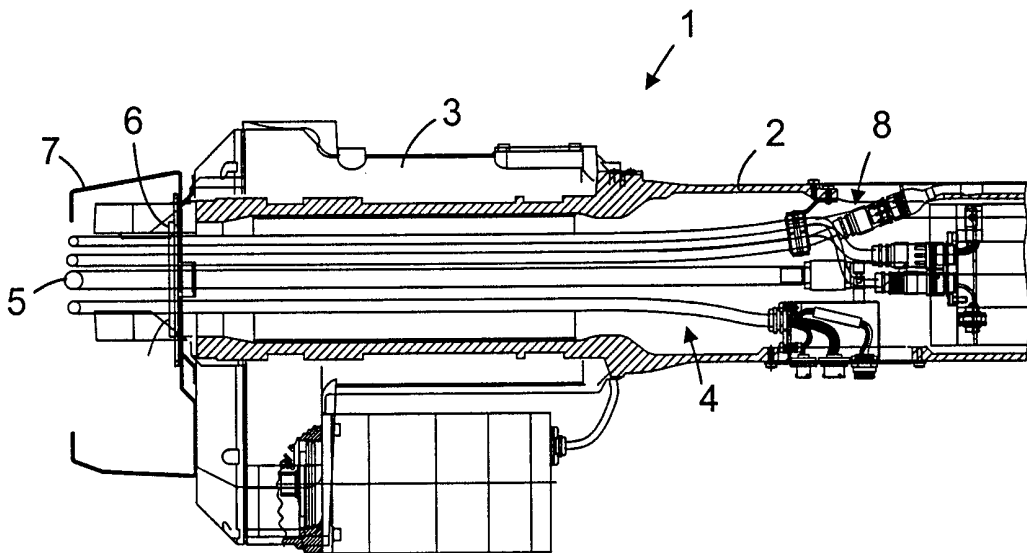


FIG. 2

2/4

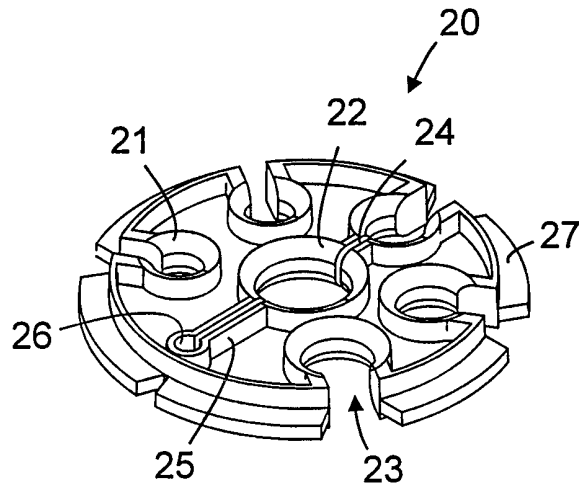


FIG. 3

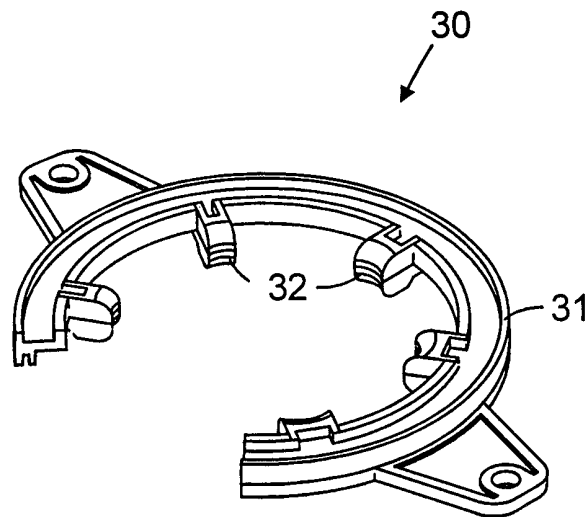


FIG. 4

3/4

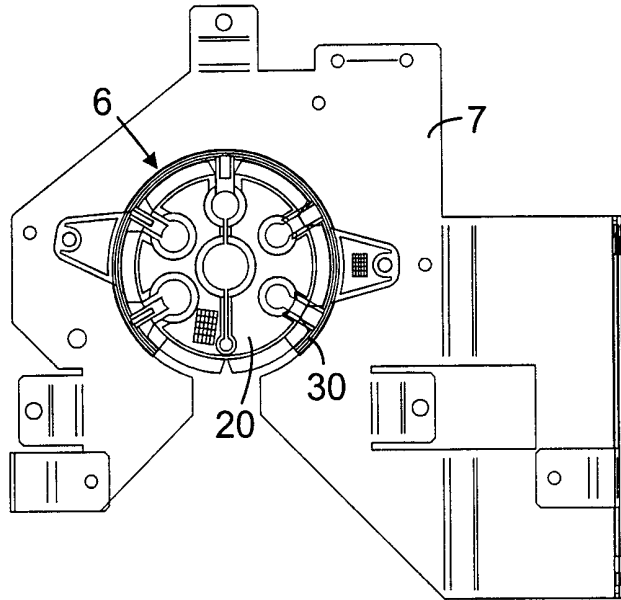


FIG. 5

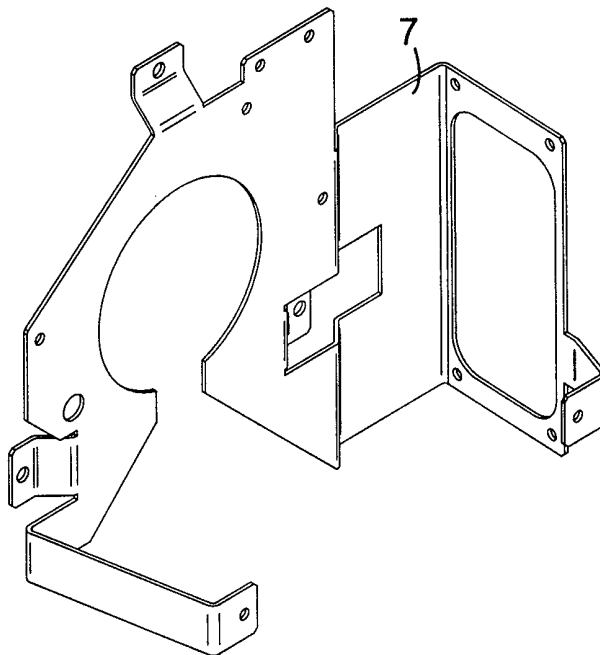


FIG. 6

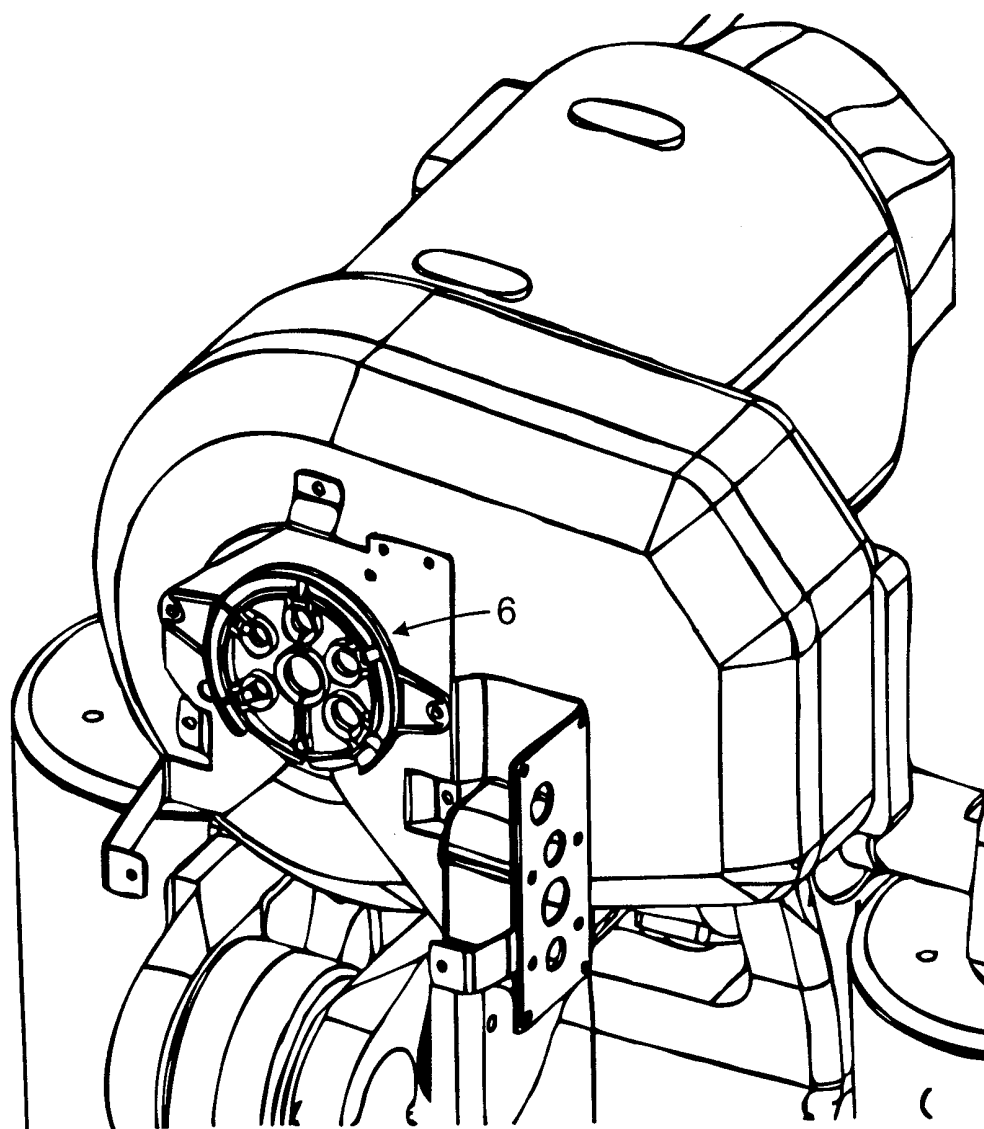


FIG. 7

INTERNATIONAL SEARCH REPORT

International application No.
PCT/SE 99/01865

A. CLASSIFICATION OF SUBJECT MATTER
IPC7: B25J 17/00 According to International Patent Classification (IPC) or to both national classification and IPC
B. FIELDS SEARCHED
Minimum documentation searched (classification system followed by classification symbols)
IPC7: B25J
Documentation searched other than minimum documentation to the extent that such documents are included in the fields searched
SE,DK,FI,NO classes as above
Electronic data base consulted during the international search (name of data base and, where practicable, search terms used)

C. DOCUMENTS CONSIDERED TO BE RELEVANT		
Category*	Citation of document, with indication, where appropriate, of the relevant passages	Relevant to claim No.
A	GB 2134074 A (MITSUBISHI DENKI ET AL), 8 August 1984 (08.08.84), figure 3, abstract --	1-12
A	US 3497083 A (V.C. ANDERSON ET AL), 24 February 1970 (24.02.70), figures 1-3 --	1-12
A	US 4705243 A (G. HARTMANN ET AL), 10 November 1987 (10.11.87), figures 2-4 --	1-12
A	US 4715571 A (U. SOLTOW ET AL), 29 December 1987 (29.12.87), figure 5 --	1-12

Further documents are listed in the continuation of Box C.
 See patent family annex.

<p>* Special categories of cited documents:</p> <p>"A" document defining the general state of the art which is not considered to be of particular relevance</p> <p>"B" earlier document but published on or after the international filing date</p> <p>"I" document which may throw doubts on priority claim(s) or which is cited to establish the publication date of another citation or other special reason (as specified)</p> <p>"O" document referring to an oral disclosure, use, exhibition or other means</p> <p>"P" document published prior to the international filing date but later than the priority date claimed</p>	<p>"T" later document published after the international filing date or priority date and not in conflict with the application but cited to understand the principle or theory underlying the invention</p> <p>"X" document of particular relevance: the claimed invention cannot be considered novel or cannot be considered to involve an inventive step when the document is taken alone</p> <p>"Y" document of particular relevance: the claimed invention cannot be considered to involve an inventive step when the document is combined with one or more other such documents, such combination being obvious to a person skilled in the art</p> <p>"&" document member of the same patent family</p>
--	---

Date of the actual completion of the international search 15 December 1999	Date of mailing of the international search report 16-02-2000
--	---

Name and mailing address of the ISA Swedish Patent Office Box 5055, S-102 42 STOCKHOLM Facsimile No. +46 8 666 02 86	Authorized officer Vilho Juvonen / MR Telephone No. +46 8 782 25 00
---	--

INTERNATIONAL SEARCH REPORT

International application No.
PCT/SE 99/01865

C (Continuation). DOCUMENTS CONSIDERED TO BE RELEVANT

Category*	Citation of document, with indication, where appropriate, of the relevant passages	Relevant to claim No.
A	US 4780045 A (H.A. AKEEL ET AL), 25 October 1988 (25.10.88), figure 2 -- -----	1-12

INTERNATIONAL SEARCH REPORT

Information on patent family members

International application No.

PCT/SE 99/01865

Patent document cited in search report	Publication date	Patent family member(s)	Publication date
GB 2134074 A	08/08/84	FR 2539662 A JP 59134690 A	27/07/84 02/08/84
US 3497083 A	24/02/70	NONE	
US 4705243 A	10/11/87	AT 33359 T AU 567456 B AU 3508584 A DD 227376 A DE 3434899 A,C DE 3470294 A EP 0144602 A,B SE 0144602 T3 ES 536852 A JP 61500160 T SU 1309907 A WO 8501686 A	15/04/88 19/11/87 07/05/85 18/09/85 23/05/85 11/05/88 19/06/85 01/07/85 30/01/86 07/05/87 25/04/85
US 4715571 A	29/12/87	DE 3445489 A,C FR 2575004 A,B GB 2168544 A,B	26/06/86 20/06/86 18/06/86
US 4780045 A	25/10/88	NONE	