



US00D345975S

United States Patent [19]

[11] Patent Number: **Des. 345,975**

Biskup et al.

[45] Date of Patent: **** Apr. 12, 1994**

[54] TELEPHONE SET

[75] Inventors: **Daniel R. Biskup**, Somerset; **Carl W. Gomes, II**, Ocean; **Michael P. Zambelli**, Livingston, all of N.J.

[73] Assignee: **AT&T Bell Laboratories**, Murray Hill, N.J.

[**] Term: **14 Years**

[21] Appl. No.: **1,060**

[22] Filed: **Nov. 2, 1992**

[52] U.S. Cl. **D14/149**

[58] Field of Search 379/58-61, 379/419, 420, 428, 440, 434-436; D14/137, 138, 140, 142, 147, 148, 149-151, 240, 241

[56] **References Cited**

U.S. PATENT DOCUMENTS

- D. 287,971 1/1987 Bond D14/148 X
- D. 288,561 3/1987 Bond D14/138
- D. 289,520 4/1987 Pushelberg D14/151
- D. 296,692 7/1988 Besford et al. D14/138

- D. 316,857 5/1991 Park D14/148 X
- D. 335,666 5/1993 Roegner D14/147 X
- 4,706,274 11/1987 Baker et al. 379/61

Primary Examiner—Nelson C. Holtje
Assistant Examiner—Jeffrey Asch
Attorney, Agent, or Firm—Samuel R. Williamson

[57] CLAIM

The ornamental design of a telephone set, as shown and described.

DESCRIPTION

FIG. 1 is a top, front and right side perspective view of a telephone set, having a handset and base in cradled relationship, embodying our new design;

FIG. 2 is a top, rear and left side perspective view thereof;

FIG. 3 is a top plan view thereof;

FIG. 4 is a bottom plan view thereof;

FIG. 5 is a right side elevation thereof; and,

FIG. 6 is a left side elevation thereof.

The broken line showing of buttons at the side in FIGS. 1 and 3-5 are for illustrative purposes only.

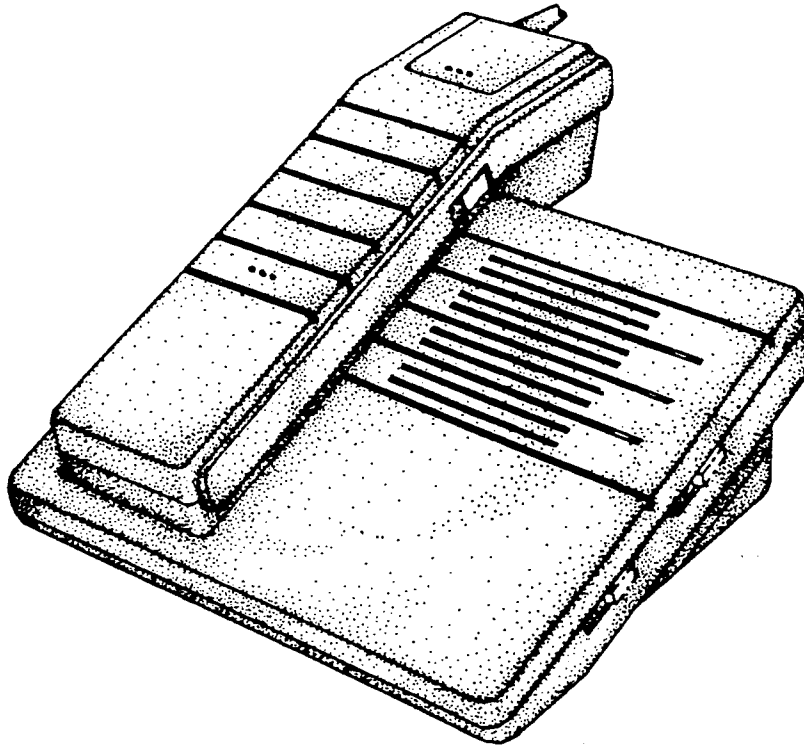


FIG. 1

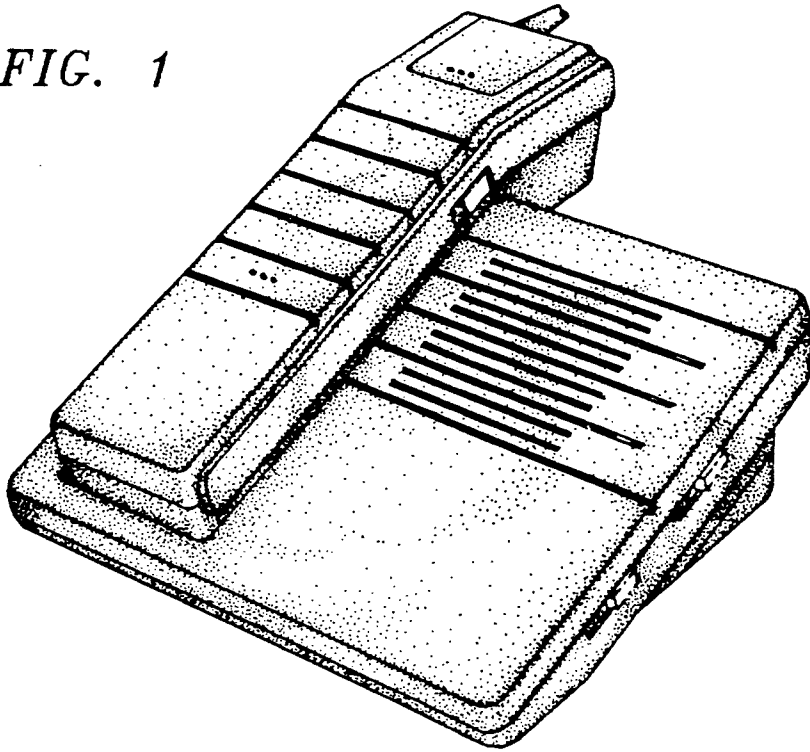


FIG. 2

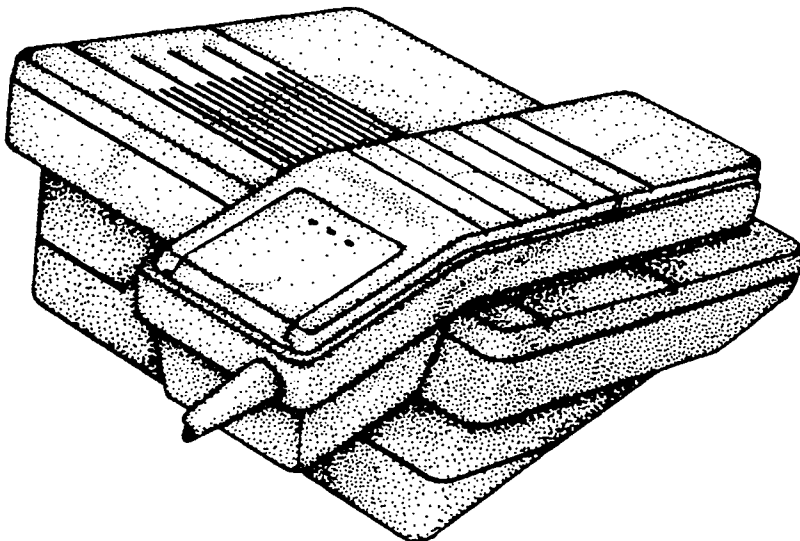


FIG. 3

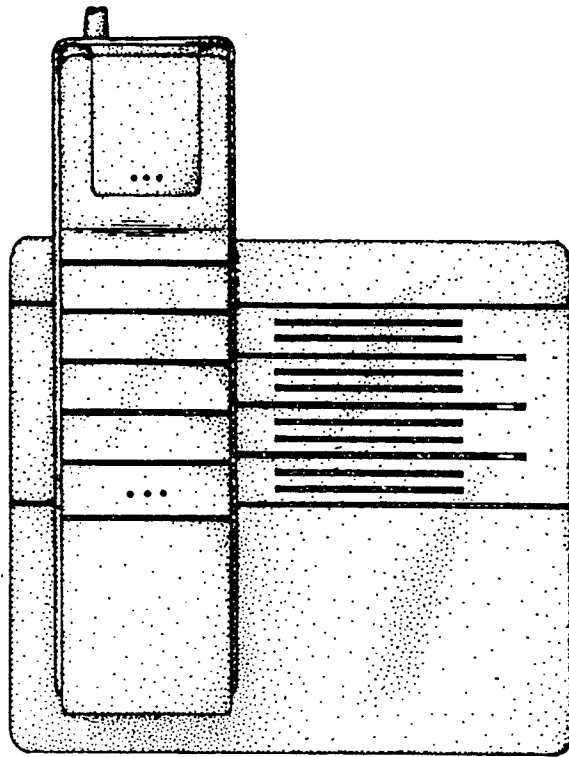


FIG. 4

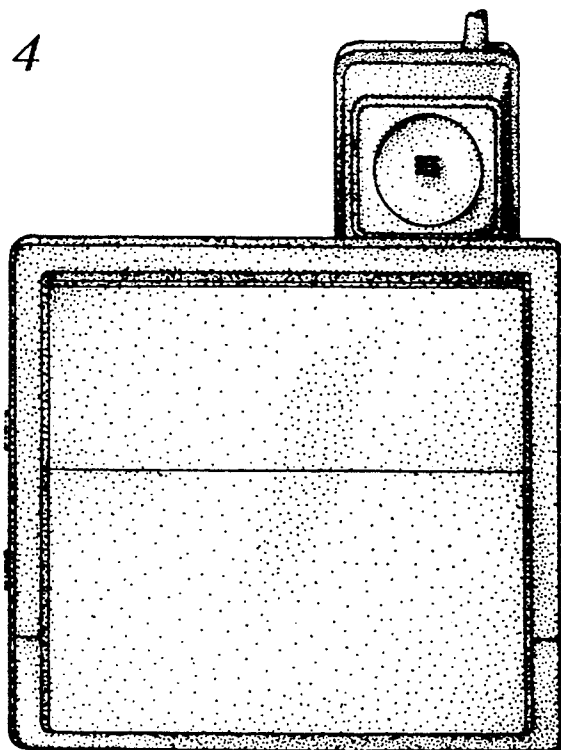


FIG. 5

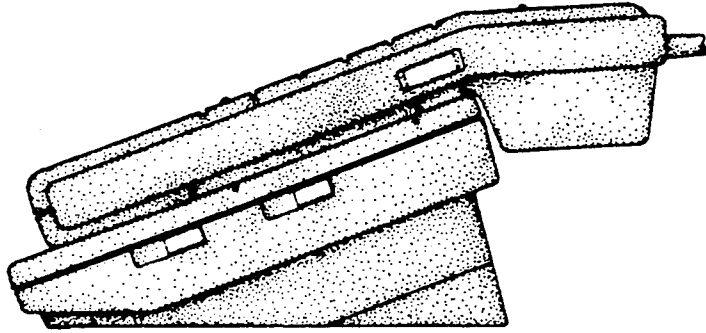


FIG. 6

