



US00D533452S

(12) **United States Design Patent** (10) **Patent No.:** **US D533,452 S**
Vogel (45) **Date of Patent:** **** Dec. 12, 2006**

(54) **CLOSURE FOR A CONTAINER**

(75) Inventor: **William C. Vogel**, Mequon, WI (US)
(73) Assignee: **Gateway Plastics, Inc.**, Mequon, WI (US)
(**) Term: **14 Years**

(21) Appl. No.: **29/217,727**
(22) Filed: **Nov. 20, 2004**

(51) **LOC (8) Cl.** **09-07**
(52) **U.S. Cl.** **D9/449; D9/447**
(58) **Field of Classification Search** **D9/450, D9/449, 447, 445, 440, 438, 435, 434; D7/596, D7/591; D32/29.1; 222/556, 546, 498, 480; 220/254.1-254.9, 835, 253; 215/344, 253, 215/245, 237, 235, 216**
See application file for complete search history.

(56) **References Cited**

U.S. PATENT DOCUMENTS

181,615 A	8/1876	Albertson
199,896 A	2/1878	Burger
785,116 A	3/1905	Perry
847,726 A	3/1907	Brannon
893,469 A	7/1908	Essmuller
947,025 A	1/1910	Pearl et al.
1,330,365 A	2/1920	Alexander
1,773,553 A	8/1930	Taylor et al.
2,094,600 A	10/1937	Hothersall
2,108,063 A	2/1938	Hothersall
D110,872 S	8/1938	Lewis
2,177,589 A	10/1939	Jacker

(Continued)

FOREIGN PATENT DOCUMENTS

EP	0 631 942 A1	1/1995
FR	1153553	3/1958
GB	2120219	11/1983

OTHER PUBLICATIONS

Cap of a type understood to be commercially available from Weatherchem Corporation (six photographs; one sheet).
Cap of a type understood to be commercially available from Weatherchem Corporation (seven photographs; one sheet).
Cap of a type understood to be commercially available from Weatherchem Corporation (seven photographs; one sheet).

(Continued)

Primary Examiner—Robert M. Spear
Assistant Examiner—Susan Bennett Hattan
(74) *Attorney, Agent, or Firm*—Foley & Lardner LLP

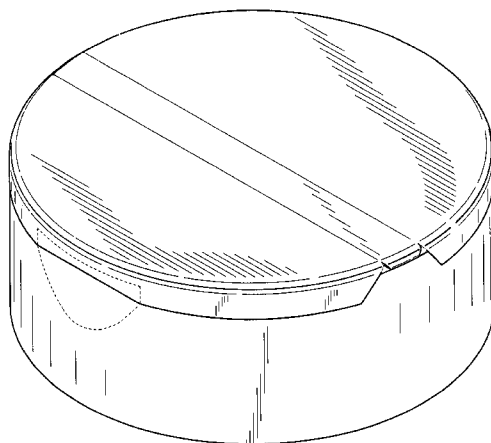
(57) **CLAIM**

We claim the ornamental design for a closure for a container, as shown and described.

DESCRIPTION

FIG. 1 is a top perspective view of a closure for a container; FIG. 2 is a top perspective view of the design of FIG. 1; FIG. 3 is a bottom perspective view of the design of FIG. 1; FIG. 4 is a bottom perspective view of the design of FIG. 1; FIG. 5 is a top view of the design of FIG. 1; FIG. 6 is a bottom view of the design of FIG. 1; FIG. 7 is a right side view of the design of FIG. 1, the left side view being a mirror image; FIG. 8 is a front view of the design of FIG. 1; FIG. 9 is a rear view of the design of FIG. 1; FIG. 10 is a top perspective view of the design of FIG. 1 illustrating the flaps in an open position; FIG. 11 is a top perspective view of the design of FIG. 1 illustrating the flaps in an open position; FIG. 12 is a left side view of the design of FIG. 1 illustrating the flaps in an open position; FIG. 13 is a right side view of the design of FIG. 1 illustrating the flaps in an open position; FIG. 14 is a bottom view of the design of FIG. 1 illustrating the flaps in an open position; and, FIG. 15 is a top view of the design of FIG. 1 illustrating the flaps in an open position.
The broken lines in the drawings are for illustrative purposes only and form no part of the claimed design.

1 Claim, 12 Drawing Sheets



US D533,452 S

U.S. PATENT DOCUMENTS					
			4,059,201 A	11/1977	Foster
			4,069,942 A	1/1978	Marshall et al.
			D247,475 S	3/1978	Newman
			4,082,201 A	4/1978	Bittel
			D248,204 S	* 6/1978	Daenen D7/591
			D249,023 S	8/1978	Ames
			4,106,672 A	8/1978	Tecco et al.
			4,120,432 A	10/1978	Fuchs
			4,144,985 A	3/1979	Kinslow
			4,155,481 A	5/1979	Takahashi et al.
			4,163,496 A	8/1979	Dogliotti
			4,165,015 A	8/1979	Hasegawa
			4,170,315 A	10/1979	Dubach et al.
			D255,326 S	6/1980	Pettengill
			4,231,486 A	11/1980	Bock
			4,234,099 A	11/1980	Tarro
			4,253,587 A	3/1981	Otterson
			4,258,876 A	3/1981	Ljungcrantz
			4,267,937 A	5/1981	Piltz et al.
			4,274,563 A	6/1981	Otterson
			4,280,636 A	7/1981	Lewis
			4,284,200 A	8/1981	Bush et al.
			4,291,818 A	9/1981	Nozawa et al.
			4,299,339 A	11/1981	Giroux et al.
			4,346,823 A	8/1982	Eppenbach
			D266,390 S	10/1982	Haner
			4,359,171 A	11/1982	Lewis
			4,361,250 A	11/1982	Foster
			4,362,253 A	* 12/1982	Wortley et al. 220/276
			4,369,901 A	1/1983	Hidding
			4,414,705 A	11/1983	Ostrowsky
			D272,807 S	2/1984	Ruhl
			4,442,950 A	4/1984	Wilson
			4,457,458 A	7/1984	Heinol
			4,463,869 A	8/1984	Lewis
			4,467,938 A	8/1984	Allen
			D276,981 S	1/1985	Cleevely
			4,494,679 A	1/1985	Cleevely
			4,500,016 A	2/1985	Funfstuck
			4,503,991 A	3/1985	Joyce
			D278,602 S	4/1985	Rosenstein
			4,533,058 A	8/1985	Uhlig
			4,538,731 A	9/1985	Cillario
			4,541,541 A	9/1985	Hickman et al.
			4,545,495 A	10/1985	Kinsley
			4,545,508 A	10/1985	Cribb, Jr. et al.
			4,580,687 A	4/1986	Lewis
			4,610,371 A	9/1986	Karkiewicz
			4,611,725 A	9/1986	Kacalief
			4,621,744 A	11/1986	Foster
			4,629,081 A	12/1986	McLaren
			4,648,528 A	3/1987	LaBarge et al.
			4,651,885 A	3/1987	Gach
			4,658,980 A	4/1987	Lindstrom
			D291,411 S	8/1987	Crawford
			4,693,399 A	9/1987	Hickman et al.
			D292,491 S	10/1987	Ross et al.
			4,714,181 A	12/1987	Kozlowski et al.
			4,723,693 A	2/1988	DeCoster
			4,726,091 A	2/1988	Joyce
			4,735,334 A	4/1988	Abbott
			4,739,906 A	4/1988	LoTurco
			4,752,014 A	6/1988	House et al.
			4,778,071 A	10/1988	Fillmore
			4,792,054 A	12/1988	Weidman
			4,793,501 A	12/1988	Beck
			4,793,502 A	12/1988	Beck
			4,823,995 A	4/1989	Lewis
			4,838,441 A	6/1989	Chernack
			4,848,612 A	7/1989	Beck
			4,854,473 A	8/1989	Dubach

US D533,452 S

4,878,589 A	11/1989	Webster et al.	5,566,850 A	10/1996	Forsyth et al.
4,881,668 A	11/1989	Kitterman et al.	5,579,957 A	12/1996	Gentile et al.
4,881,688 A	11/1989	Hankvist et al.	5,588,546 A	12/1996	Farside
D305,206 S	12/1989	Hickman et al.	5,601,213 A	2/1997	Daniello
D305,734 S	1/1990	Allen	5,632,417 A	5/1997	Robbins, III et al.
4,898,292 A	2/1990	VerWeyst et al.	5,642,824 A	7/1997	Hess, III et al.
D306,563 S	3/1990	Johnson	5,667,089 A	9/1997	Moore
D306,701 S	3/1990	Beck	5,680,968 A	10/1997	Moore
4,925,067 A	* 5/1990	Zemlo et al. 222/480	D385,791 S	11/1997	Forsyth et al.
4,927,065 A	5/1990	Beck	5,697,509 A	* 12/1997	Hayes 215/235
4,934,590 A	6/1990	Robichaud et al.	5,743,444 A	4/1998	Beck et al.
4,936,494 A	6/1990	Weidman	5,762,216 A	6/1998	Takeuchi
4,938,390 A	7/1990	Markva	5,785,193 A	7/1998	Kobayashi et al.
4,940,167 A	7/1990	Fillmore et al.	5,799,838 A	9/1998	Miller
4,955,504 A	9/1990	Lesscher	5,829,609 A	11/1998	Beck
4,955,513 A	9/1990	Bennett	5,829,611 A	11/1998	Beck
4,967,941 A	11/1990	Beck	5,842,592 A	12/1998	Beck
4,971,213 A	11/1990	Ishinabe et al.	5,865,353 A	2/1999	Baudin
4,984,716 A	1/1991	Beck	5,875,907 A	3/1999	Lay
4,993,606 A	2/1991	Bolen, Jr. et al.	D407,976 S	4/1999	Ekkert
5,007,555 A	4/1991	Beck	5,913,435 A	6/1999	Fuchs
5,016,787 A	5/1991	Beck	D413,064 S	8/1999	Bansal
D318,777 S	* 8/1991	Freese D7/392	D414,698 S	10/1999	Mogard et al.
D318,778 S	8/1991	Fiore et al.	5,971,231 A	10/1999	Samz et al.
D319,588 S	9/1991	Beck	5,975,368 A	11/1999	Wood
5,048,730 A	9/1991	Forsyth et al.	5,996,859 A	12/1999	Beck
D320,739 S	10/1991	Camus	D419,069 S	1/2000	Beck et al.
D320,746 S	10/1991	Bolen, Jr. et al.	6,024,256 A	2/2000	Beck et al.
D321,137 S	10/1991	Hofmann et al.	6,102,257 A	8/2000	Goyet
5,052,572 A	10/1991	Pherigo	D435,445 S	12/2000	Arai et al.
D321,476 S	11/1991	Alcover	6,158,632 A	12/2000	Ekkert
5,067,624 A	11/1991	Thanisch	6,164,503 A	12/2000	Forsyth et al.
D323,461 S	1/1992	Beck	D436,040 S	1/2001	Warner et al.
D323,462 S	1/1992	Beck	6,170,664 B1	1/2001	Dar
5,083,671 A	1/1992	Hayes	6,202,872 B1	3/2001	Smeyak et al.
D324,175 S	2/1992	Beck	D440,156 S	4/2001	Lonczak et al.
5,085,331 A	2/1992	Groya et al.	6,250,507 B1	6/2001	Ekkert
5,129,531 A	7/1992	Beck et al.	6,250,517 B1	6/2001	Samz et al.
5,129,533 A	7/1992	Loffler	6,283,317 B1	9/2001	Benoit-gonin et al.
5,143,234 A	9/1992	Lohrman et al.	6,289,906 B1	9/2001	Vanden Dries et al.
D331,877 S	12/1992	Robichaud et al.	6,296,130 B1	10/2001	Forsyth et al.
D331,878 S	12/1992	Forsyth	6,299,033 B1	10/2001	VerWeyst et al.
5,167,338 A	12/1992	Kick	6,308,870 B1	10/2001	Samz et al.
5,183,171 A	* 2/1993	Pherigo 220/258.3	6,321,923 B1	11/2001	Wood
5,197,634 A	3/1993	Beck	6,325,231 B1	12/2001	Ketting et al.
5,211,301 A	5/1993	Groya et al.	6,332,551 B1	12/2001	Copeland
5,215,204 A	6/1993	Beck et al.	D453,892 S	2/2002	Lindsay et al.
5,219,100 A	6/1993	Beck et al.	RE37,634 E	4/2002	Hickman et al.
D339,065 S	9/1993	Forsyth et al.	6,364,169 B1	* 4/2002	Knickerbocker 222/189.02
D340,187 S	10/1993	Forsyth	6,382,476 B1	5/2002	Randall et al.
D340,188 S	10/1993	Forsyth	6,405,885 B1	6/2002	Elliott
5,282,540 A	2/1994	Beck	6,439,410 B1	8/2002	Dubach
5,297,688 A	3/1994	Beck et al.	6,460,712 B1	10/2002	Smith et al.
5,305,931 A	4/1994	Martin et al.	6,460,718 B1	10/2002	Vogel
D346,958 S	5/1994	Olson	6,460,726 B1	10/2002	Hierzer et al.
5,314,093 A	5/1994	Gross et al.	6,464,113 B1	10/2002	Vogel
D347,974 S	6/1994	McBride	6,474,491 B1	11/2002	Benoit-Gonin et al.
5,328,063 A	7/1994	Beck et al.	6,477,743 B1	11/2002	Gross et al.
5,330,082 A	7/1994	Forsyth	6,481,589 B1	11/2002	Blomdahl et al.
5,339,993 A	8/1994	Groya et al.	6,488,187 B1	12/2002	Sheffler et al.
5,356,017 A	10/1994	Rohr et al.	6,494,346 B1	12/2002	Gross et al.
D355,121 S	2/1995	Kohl	D468,639 S	1/2003	Wennerstrom et al.
5,423,442 A	6/1995	Nozawa et al.	6,508,373 B1	1/2003	Robinson
5,467,879 A	11/1995	Moore	6,510,971 B1	1/2003	Martin
5,489,035 A	2/1996	Fuchs	6,575,323 B1	6/2003	Martin et al.
5,494,200 A	2/1996	Sheffler et al.	D476,892 S	7/2003	Martin et al.
5,499,736 A	3/1996	Kohl	6,691,901 B1	2/2004	Parve et al.
5,507,419 A	4/1996	Martin et al.	D509,426 S	* 9/2005	Samz et al. D9/447
5,509,582 A	4/1996	Robbins, III	7,007,830 B1	* 3/2006	Parve et al. 222/556
5,511,679 A	4/1996	Beck	D522,362 S	* 6/2006	Liebe D9/449
5,542,579 A	8/1996	Robbins, III	2003/0071041 A1	4/2003	Vogel

2003/0090036	A1	5/2003	Vogel	
2003/0111495	A1	6/2003	Parve et al.	
2004/0089678	A1 *	5/2004	Martin	222/556
2004/0118846	A1 *	6/2004	Merolla	220/254.2
2004/0134942	A1	7/2004	Parve et al.	
2004/0173645	A1	9/2004	Vogel et al.	
2004/0226950	A1	11/2004	Samz et al.	
2005/0023304	A1	2/2005	Vogel et al.	

OTHER PUBLICATIONS

Cap of a type understood to be commercially available from Weatherchem Corporation (seven photographs; one sheet).
 Cap of a type understood to be commercially available from Weatherchem Corporation (seven photographs; one sheet).
 Cap of a type understood to be commercially available from Weatherchem Corporation (six photographs; one sheet).
 Cap of a type understood to be commercially available from Weatherchem Corporation (six photographs; one sheet).
 Cap of a type understood to be commercially available from Kraft Foods North America, Inc.(six photographs; one sheet).
 Cap of a type understood to be commercially available and having two flaps with two dispensing openings (six photographs; one sheet).
 Cap of a type understood to be commercially available from Weatherchem Corporation (seven photographs; one sheet).
 Cap of a type understood to be commercially available from Kraft Foods North America, Inc. (fourteen photographs; two sheets).
 Cap of a type understood to be commercially available from Kraft Foods North America, Inc. (ten photographs; one sheet).
 Cap of a type understood to be commercially available from Nestle Purina Petcare Company (twelve photographs; two sheets).

Cap of a type understood to be commercially available from Resibel N. V. in or about 1996 and made available/obtained during discovery in Gateway Plastics, Inc. v. Weatherchem Corp., Case No. 02-C-0870 (E.D. Wis.) (twelve photographs, two sheets).

Amended complaint, Gateway Plastics, Inc. v. Weatherchem Corporation, Case No. 02-C-0870 (E.D. Wis.), Dated Nov. 18, 2002, with legible copy of Exhibit D.

Answer and Counterclaim, Gateway Plastics, Inc. v. Weatherchem Corporation, Case No. 02-C-0870 (E.D. Wis.), Dated Dec. 5, 2002.

Amended Answer and Counterclaim, Gateway Plastics, Inc. v. Weatherchem Corp., Case No. 02-C-0870 (E.D. Wis.); filed Sep. 2, 2003.

Brief in Support fo Motion by Plaintiff Gateway Plastics, Inc. for a Preliminary Injunction, Gateway Plastics, Inc. v. Weatherchem Corp., Case No. 02-C-0870 (E. D. Wis.); filed Dec. 19, 2003.

Weatherchem’s Brief in Opposition to Gateway’s Motion for Preliminary Injunction, Gateway Plastics, Inc. v. Weatherchem Corp., Case No. 02-C-0870 (E. D. Wis.); filed Feb. 4, 2004.

Decision and Order, Gateway Plastics, Inc. v. Weatherchem Corp., Case No. 02-C-0870 (E. D. Wis.); filed Dec. 17, 2003.

Weatherchem Exhibit Numbers WC 601—WC 648 and WC 651—WC 653B in Opposition to Preliminary Injunction, Gateway Plastics, Inc. v. Weatherchem Corp., Case No. 02-C-0870 (E.D. Wis.); filed Feb. 4, 2004.

* cited by examiner

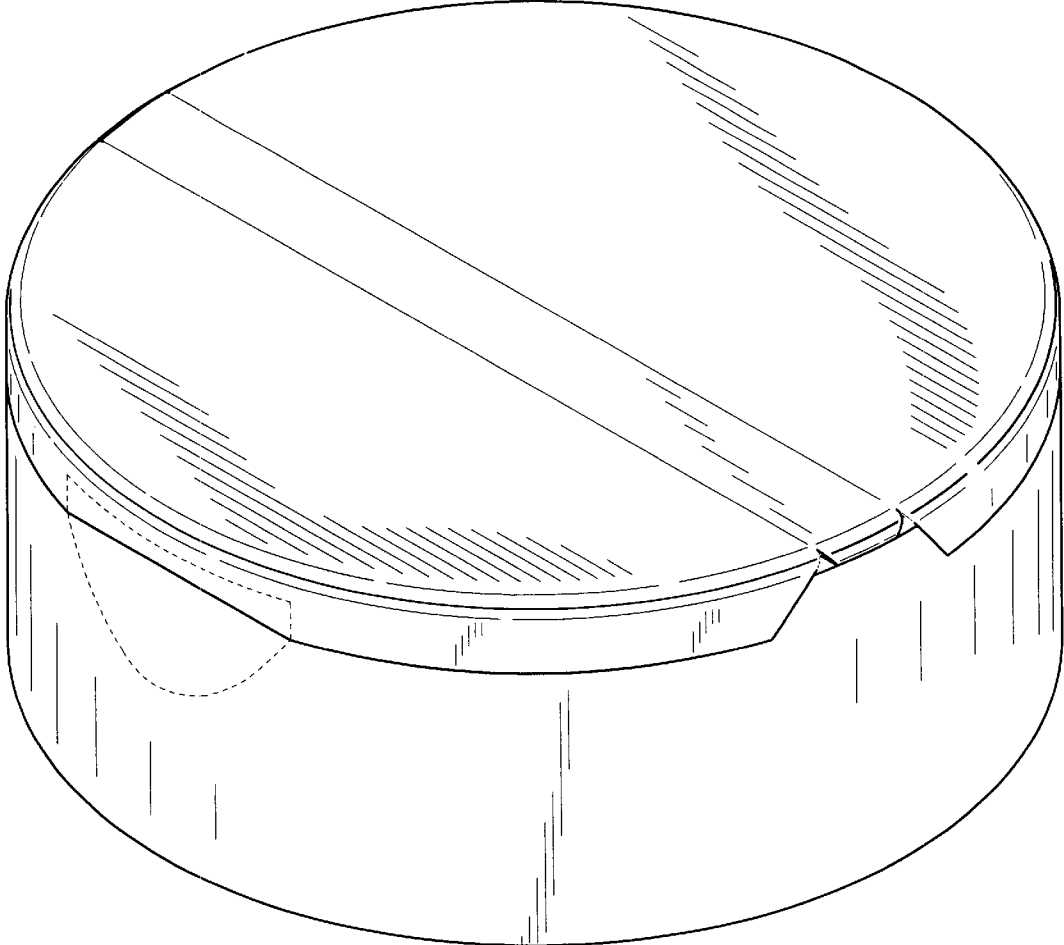


FIGURE 1

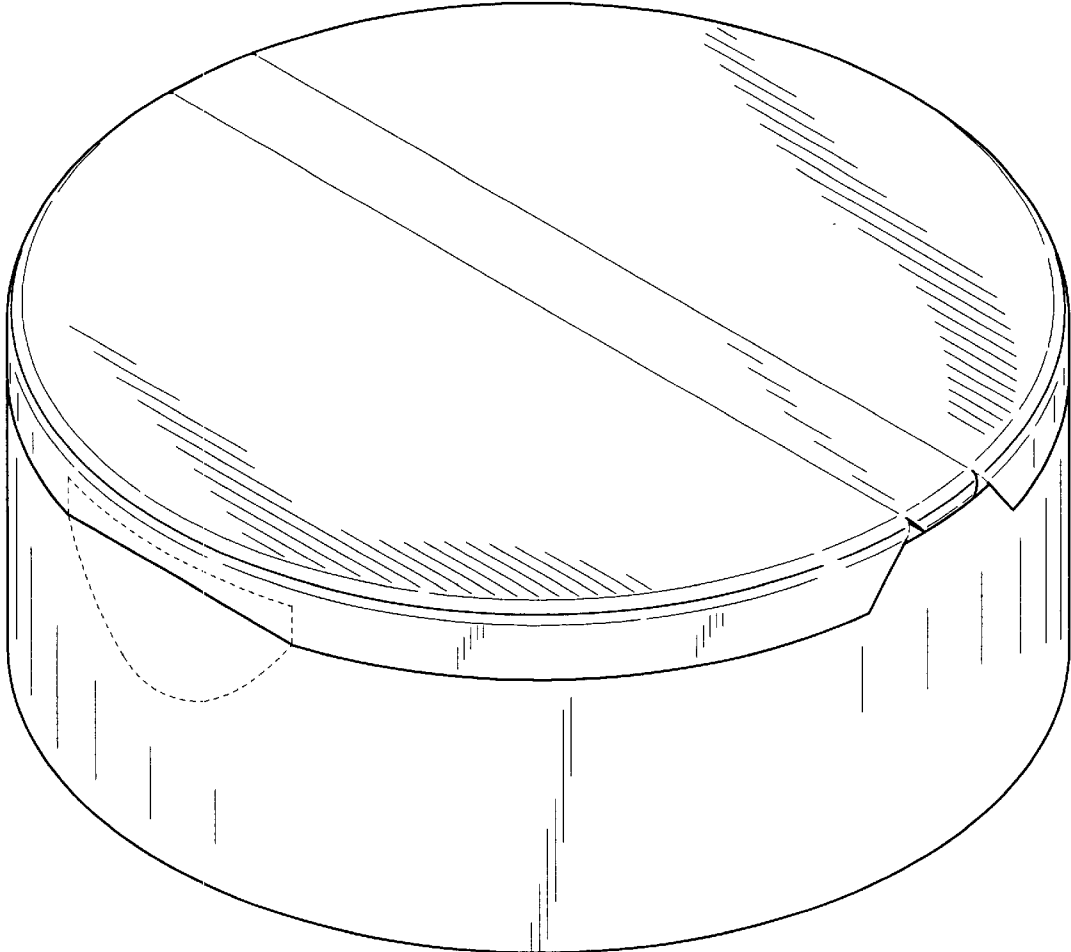


FIGURE 2

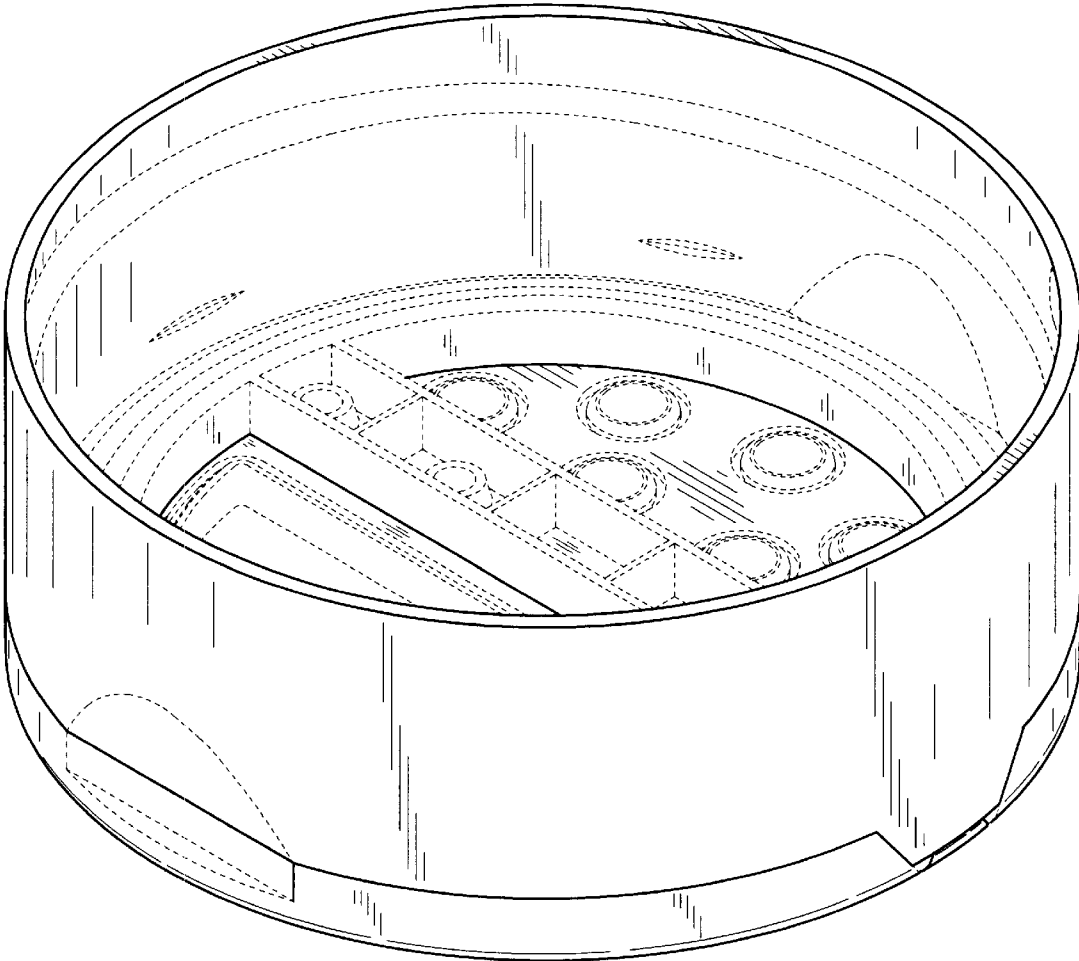


FIGURE 3

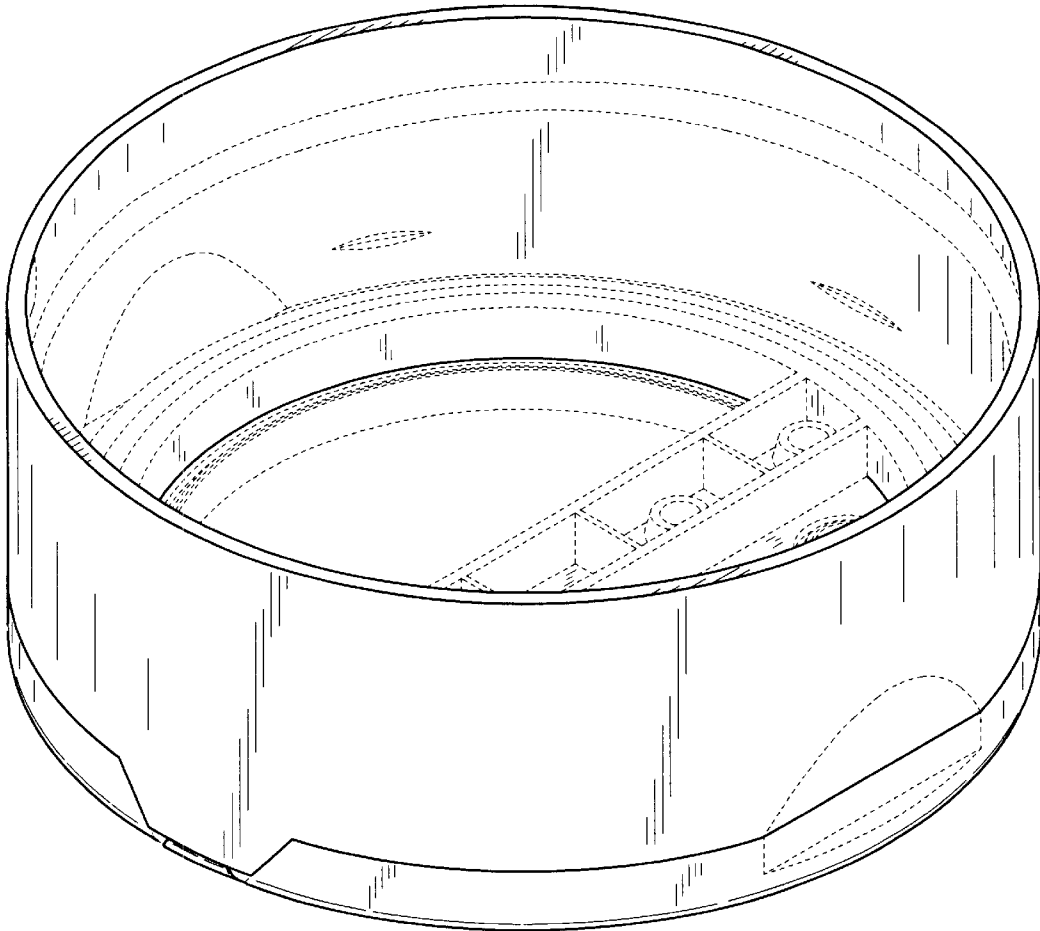


FIGURE 4

FIGURE 5

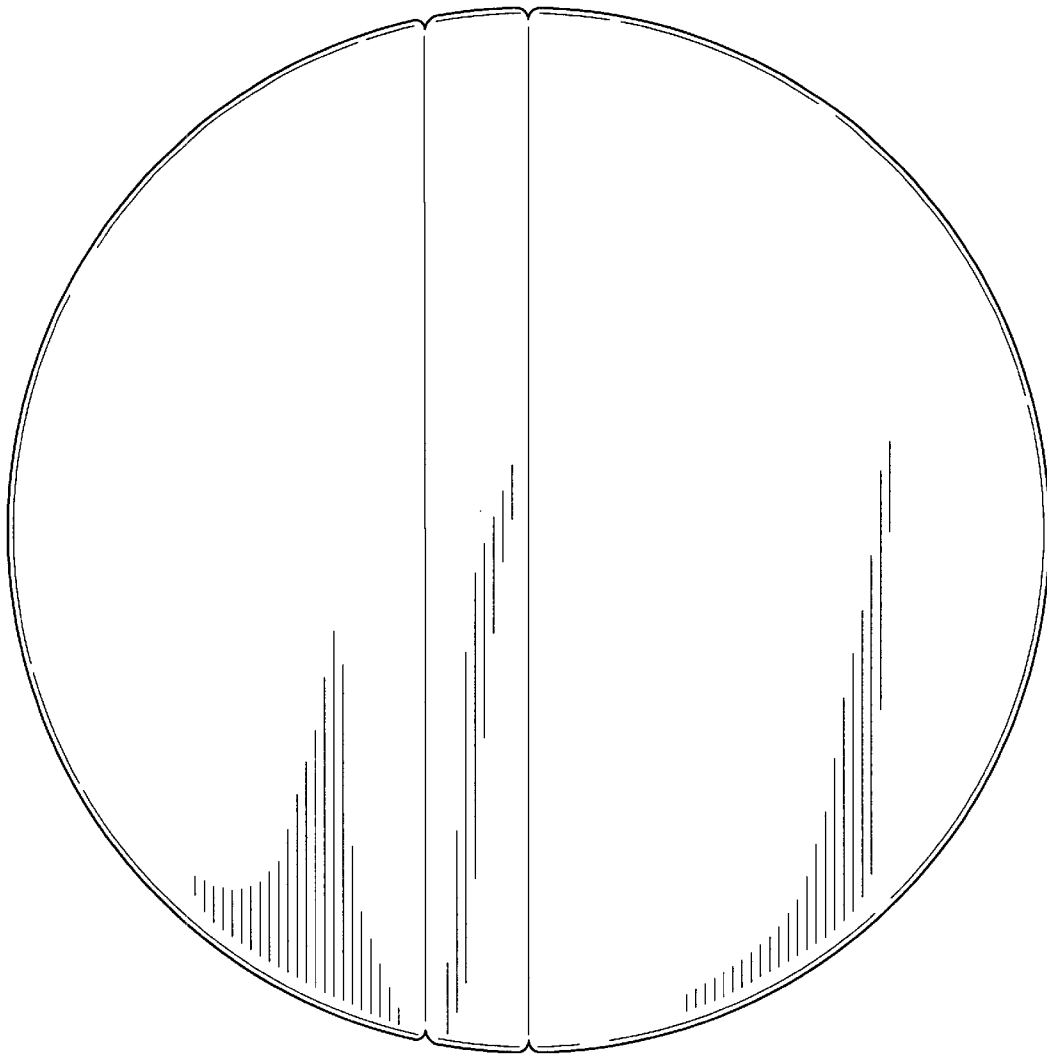


FIGURE 6

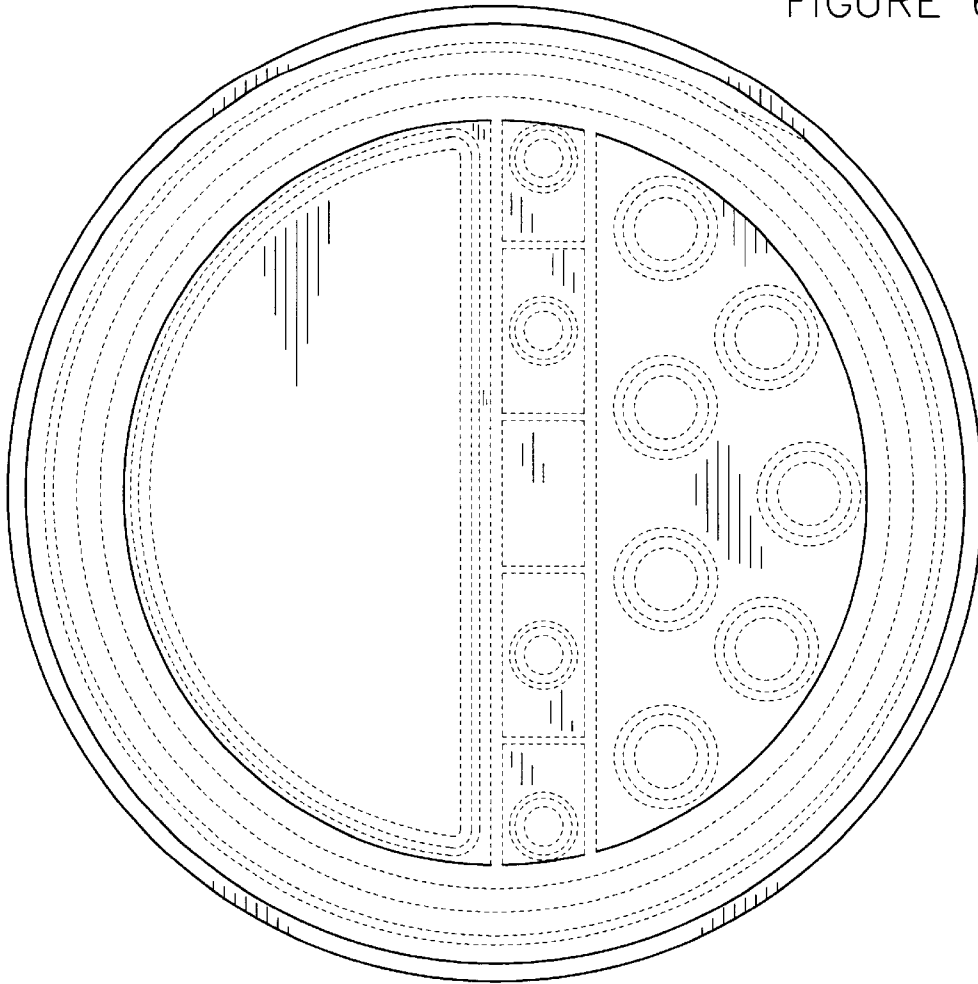


FIGURE 7

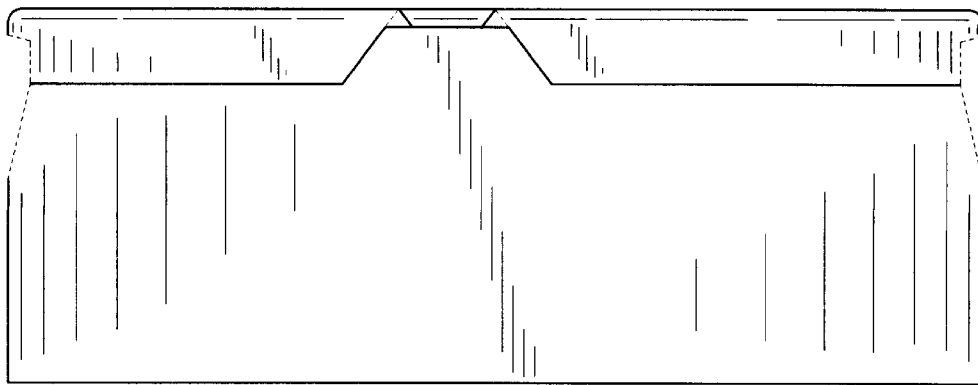


FIGURE 8

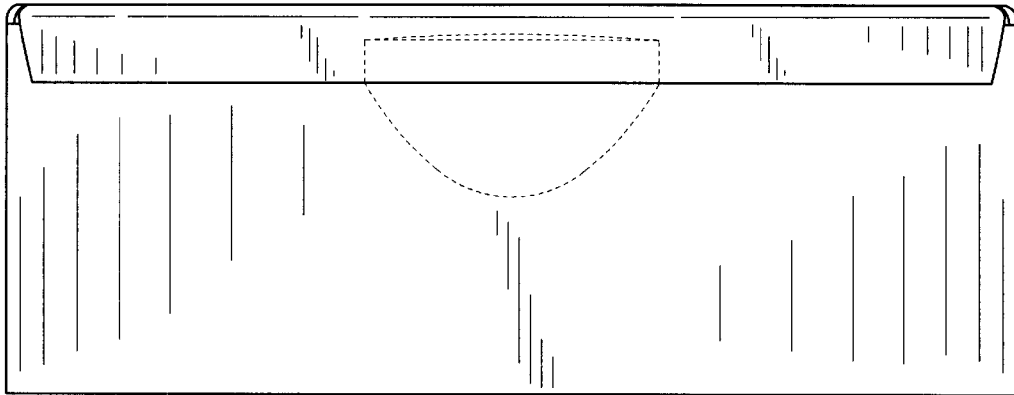
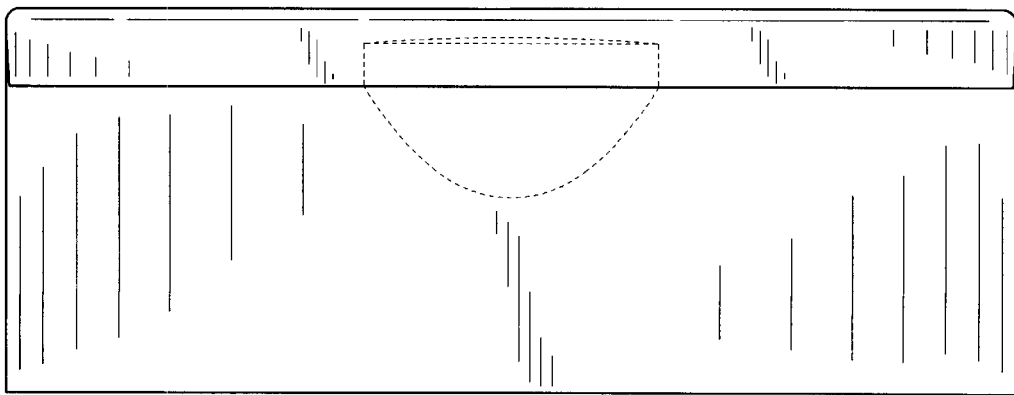


FIGURE 9



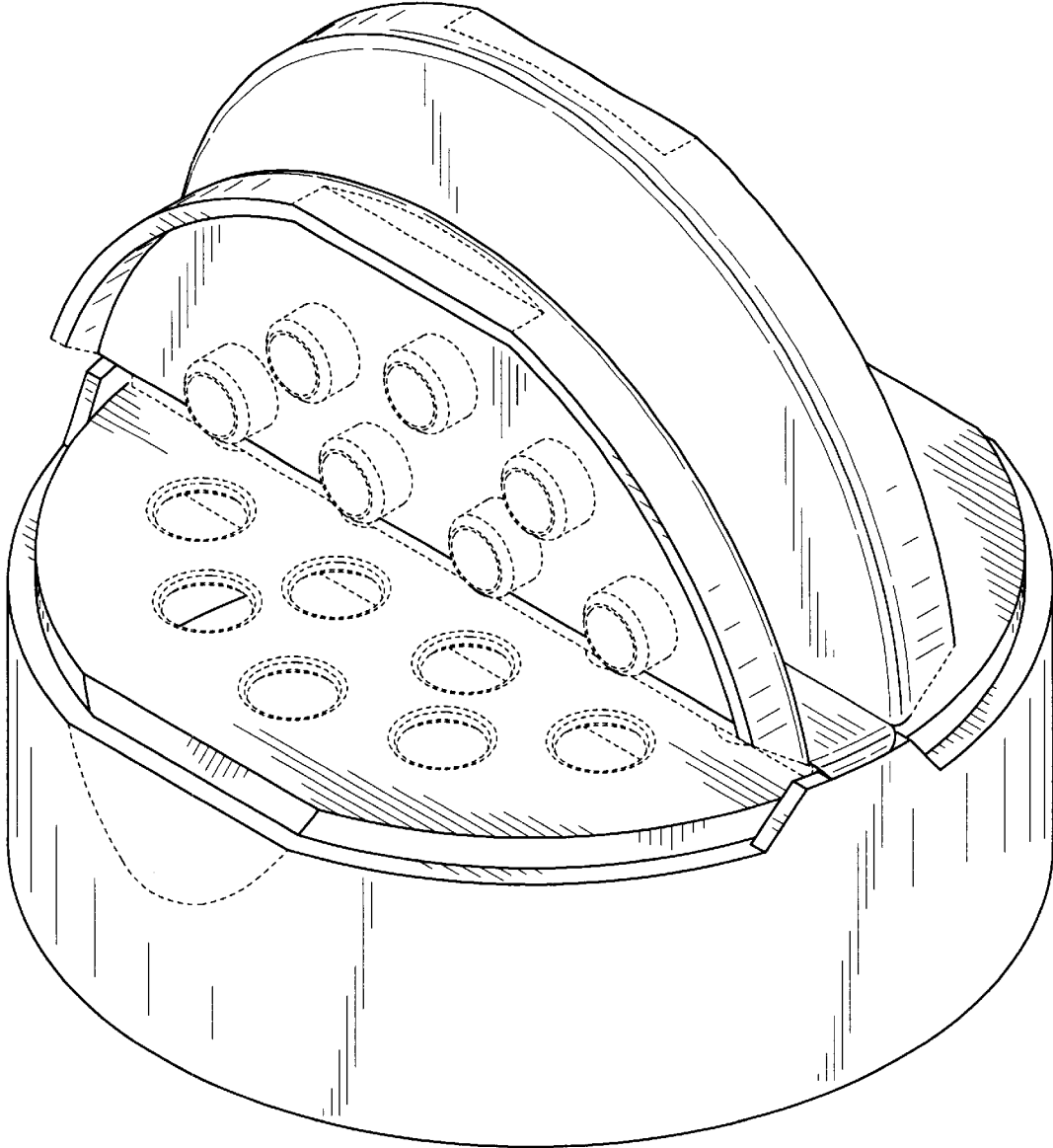


FIGURE 10

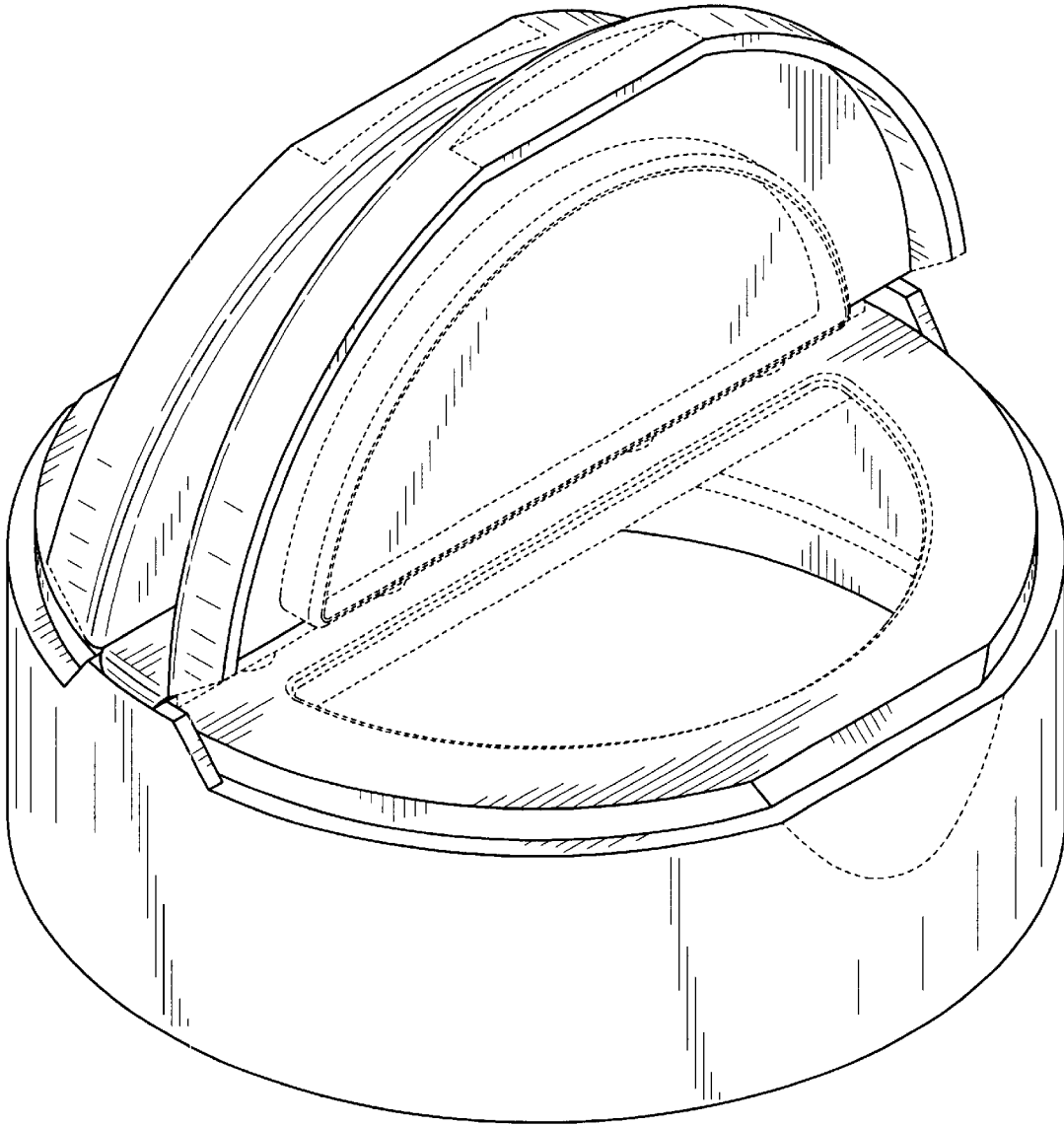


FIGURE 11

FIGURE 12

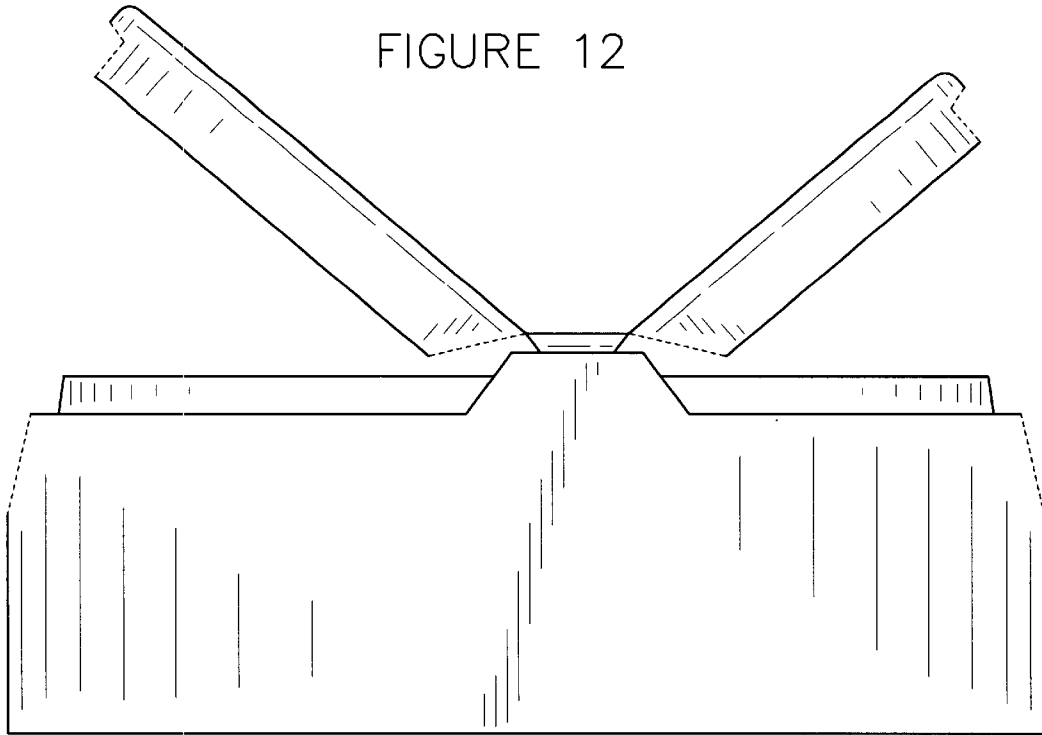


FIGURE 13

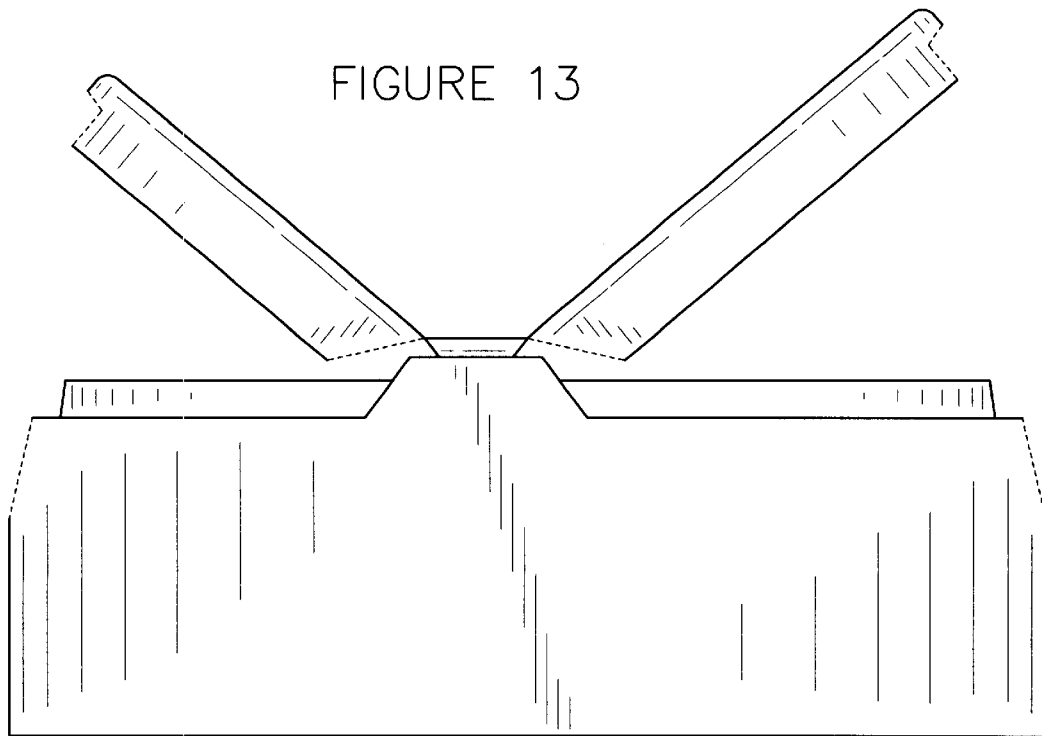


FIGURE 14

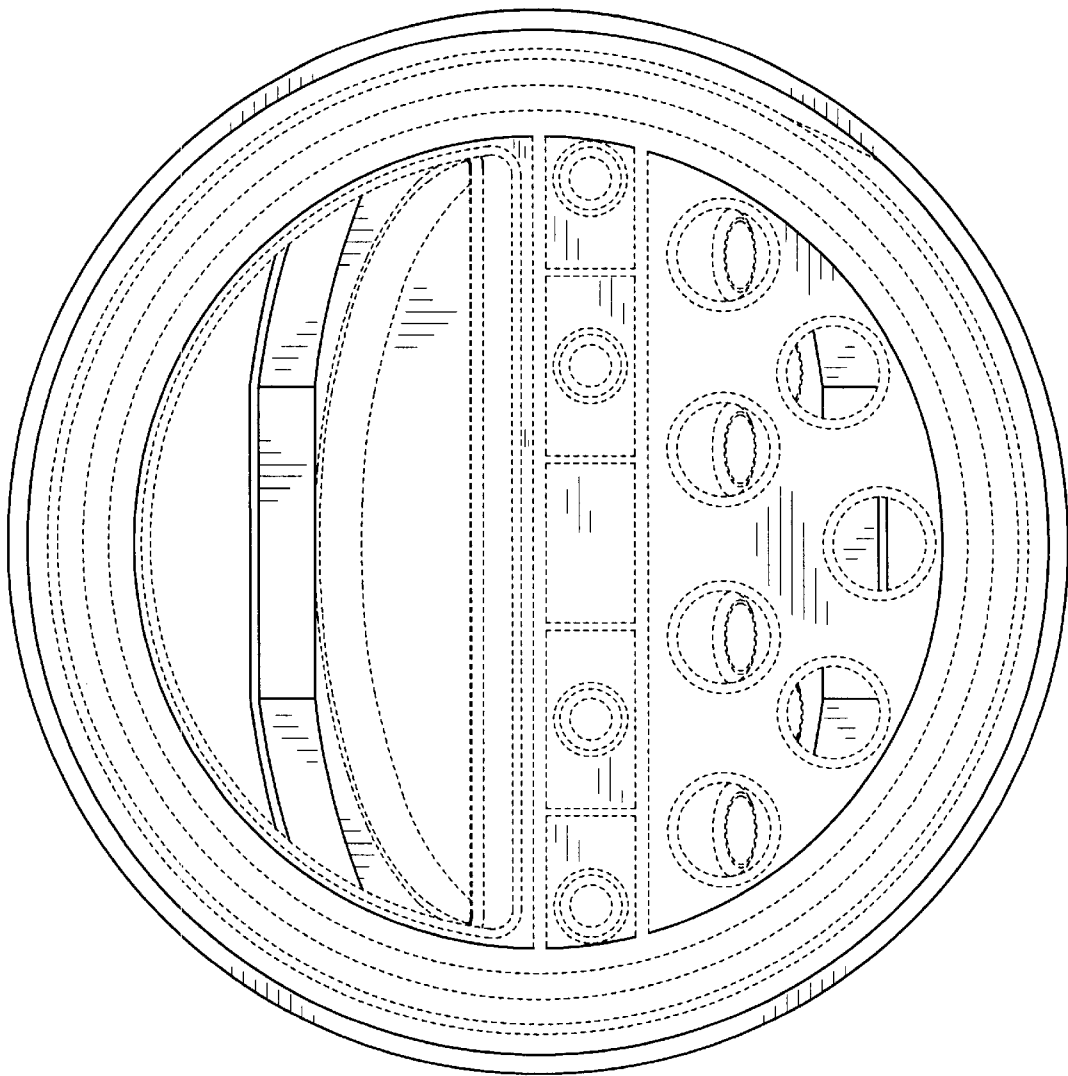


FIGURE 15

