



US00D939378S

(12) **United States Design Patent** (10) **Patent No.:** **US D939,378 S**
Huang (45) **Date of Patent:** **** Dec. 28, 2021**

(54) **PENDANT**

(71) Applicant: **FRANCE CHLOE DUCCI ELEGANCE CO., LIMITED,**
Lockhart (HK)

(72) Inventor: **Gang Huang,** Guangzhou (CN)

(**) Term: **15 Years**

(21) Appl. No.: **29/751,052**

(22) Filed: **Sep. 18, 2020**

(51) **LOC (13) Cl.** **11-01**

(52) **U.S. Cl.** **D11/81; D11/56**
USPC

(58) **Field of Classification Search**
USPC D11/40-50, 61, 79-86, 91, 92, 1, 2, 3, 7,
D11/8, 56, 103
CPC A44C 25/00; A44C 25/001; A44C 25/002;
A44C 25/007; A44C 15/00; A44C
15/005; A44C 15/0055; A44C 1/00
See application file for complete search history.

(56) **References Cited**

U.S. PATENT DOCUMENTS

4,028,908	A *	6/1977	Michael	A44C 25/00 63/23
5,094,090	A *	3/1992	Bone	A44B 9/16 63/20
D429,474	S *	8/2000	Stein	D11/79
D455,670	S *	4/2002	Kurylo	D11/103
D547,229	S *	7/2007	Sandberg	D11/81
D550,582	S *	9/2007	Gruosi-Scheufele	D11/43
D589,391	S *	3/2009	Sandberg	D11/40
D604,659	S *	11/2009	Sandberg	D11/56
D619,919	S	7/2010	Harding	
D628,116	S *	11/2010	Marks	D11/79
D628,934	S *	12/2010	Fernandez Rives	D11/79
D634,235	S	3/2011	Sandberg	
D635,049	S *	3/2011	Marks	D11/79

D636,693	S *	4/2011	Hegi	D11/1
D646,994	S *	10/2011	Kim	D11/81
D654,391	S	2/2012	Minkkinen et al.	
D656,055	S *	3/2012	Mouawad	D11/56
D660,745	S *	5/2012	Papadimitriou	D11/43
D711,278	S *	8/2014	Kadri	D11/81
D712,301	S *	9/2014	Tipp	D11/81
D715,677	S	10/2014	Lavigne et al.	
D718,651	S *	12/2014	Yatsugi-Kang	D11/79
D718,652	S *	12/2014	Samanta	D11/81
D719,051	S	12/2014	Macri	
D725,537	S *	3/2015	Wellendorff	D11/79
D766,125	S *	9/2016	Behney	D11/81
D767,438	S *	9/2016	Behney	D11/81
D772,097	S *	11/2016	Silvestri	D11/81
D772,098	S *	11/2016	Silvestri	D11/81
D813,081	S *	3/2018	Sun	D11/81
D814,962	S *	4/2018	Sun	D11/81
D828,780	S *	9/2018	Huang	D11/81
D847,688	S *	5/2019	Park	D11/79
D852,670	S	7/2019	Koutsolioutsos	

(Continued)

Primary Examiner — Melanie Pellegrini

(74) Attorney, Agent, or Firm — Runit Ranjit Kanakia

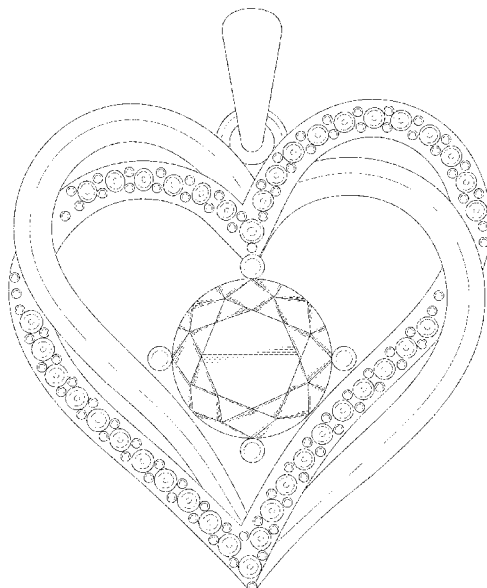
(57) **CLAIM**

I claim the ornamental design for a pendant, as shown and described.

DESCRIPTION

FIG. 1 is a Perspective view of a pendant showing my new design;
FIG. 2 is a Front view thereof;
FIG. 3 is a Back view thereof;
FIG. 4 is a Right-side view thereof;
FIG. 5 is a Left-side view thereof;
FIG. 6 is a Top view thereof; and,
FIG. 7 is a Bottom view thereof.
The broken lines shown in the drawings illustrate portions of the Pendant that form no part of the claimed design.

1 Claim, 6 Drawing Sheets



(56)

References Cited

U.S. PATENT DOCUMENTS

D903,523 S * 12/2020 Li D11/81
D910,482 S * 2/2021 Pugachevskiy D11/86
D920,833 S * 6/2021 De Luca D11/79
2019/0298014 A1 * 10/2019 Kim A44C 25/001

* cited by examiner

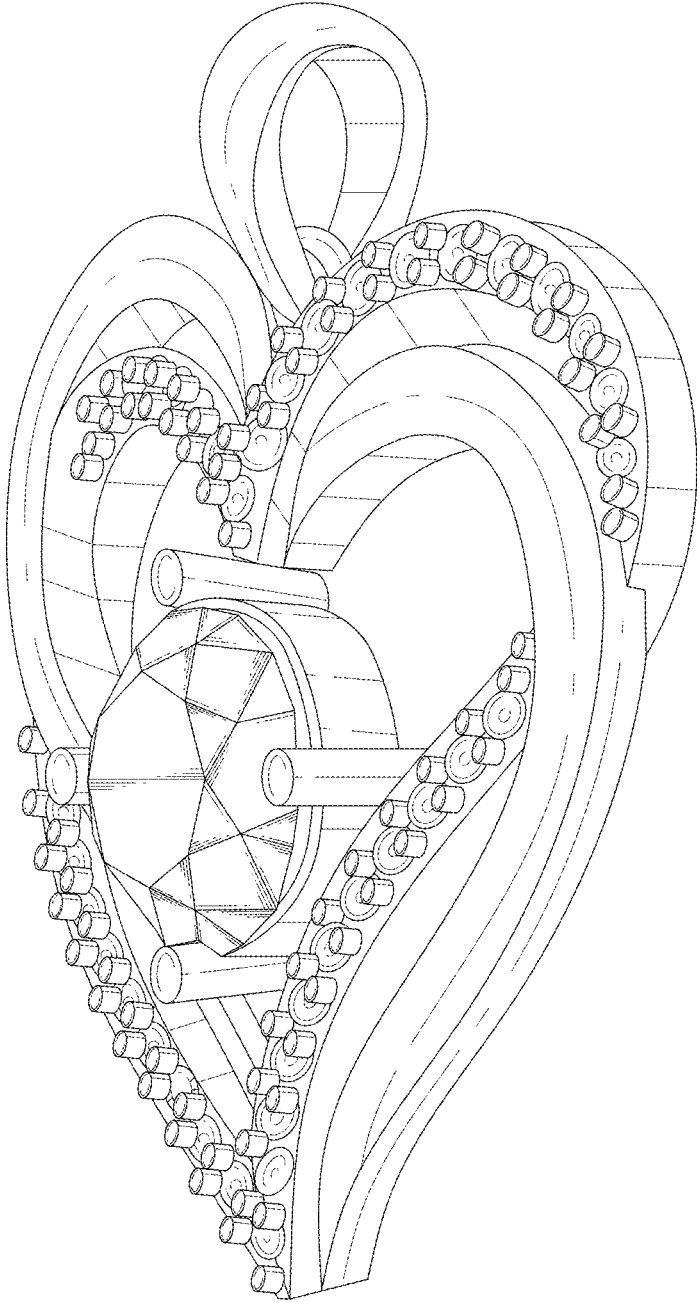


FIG. 1

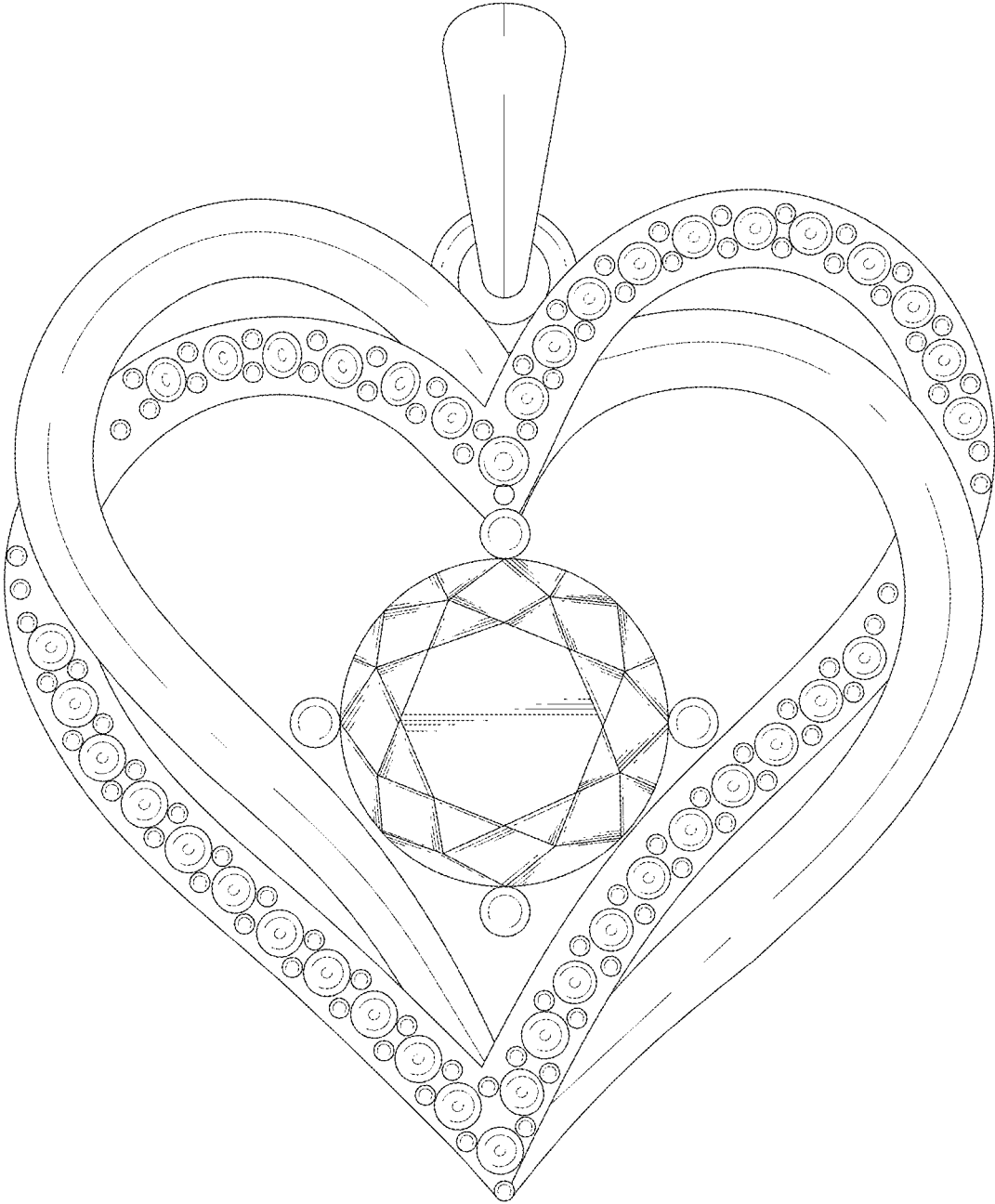


FIG. 2

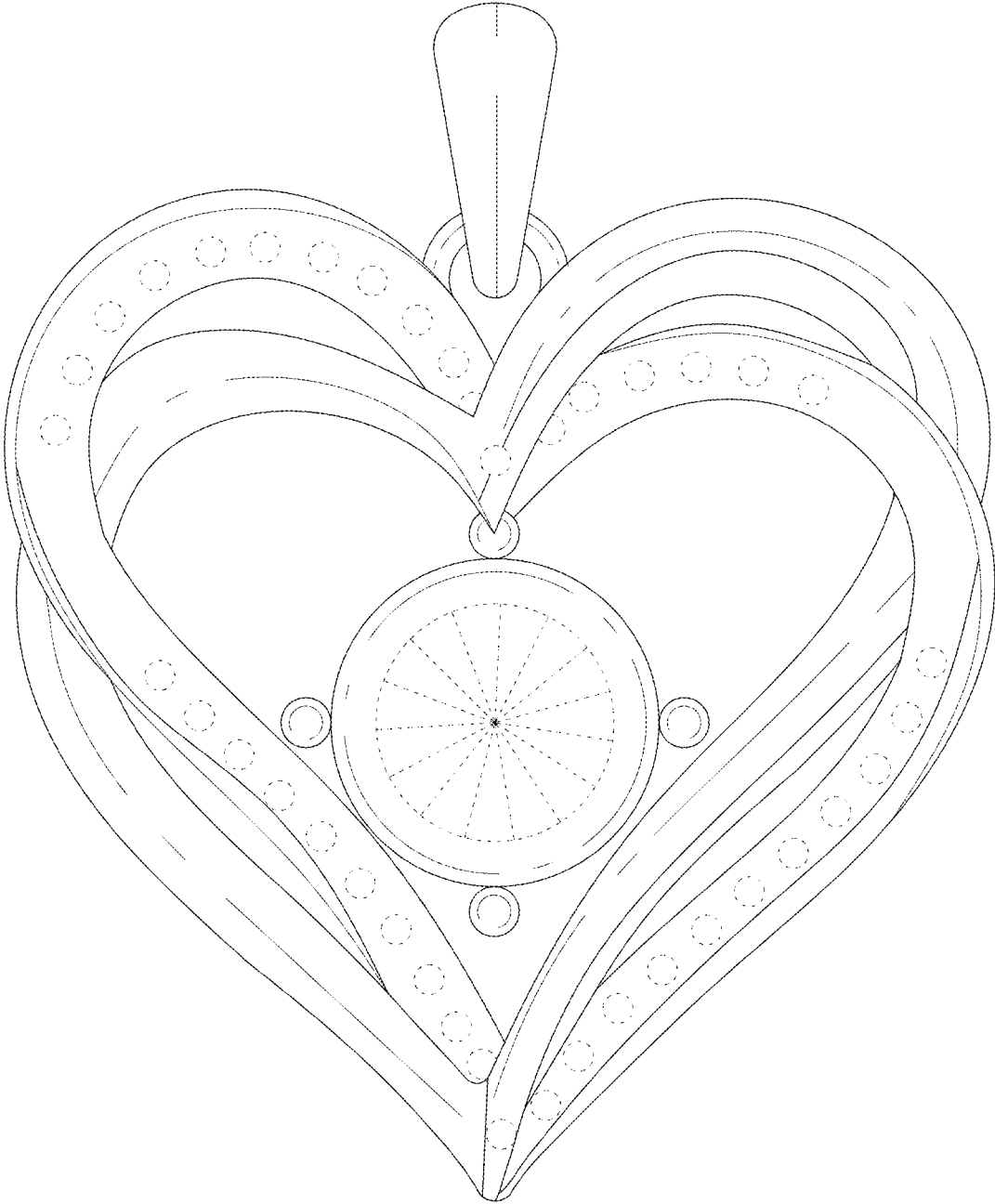


FIG. 3

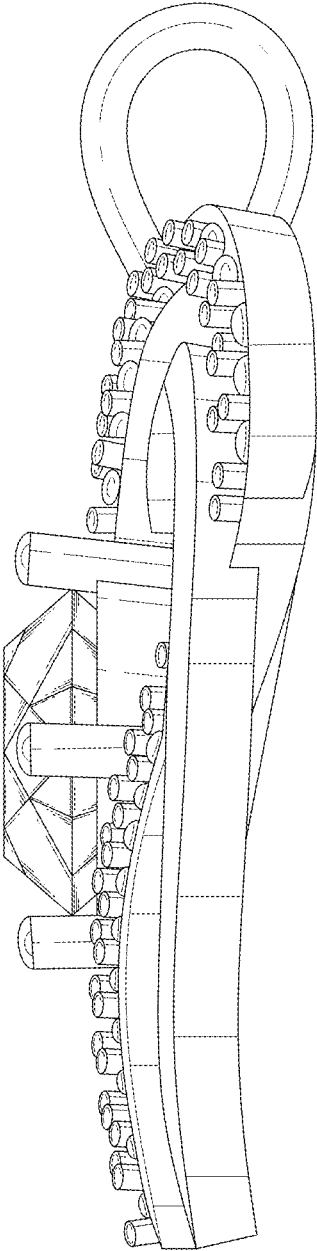


FIG. 4

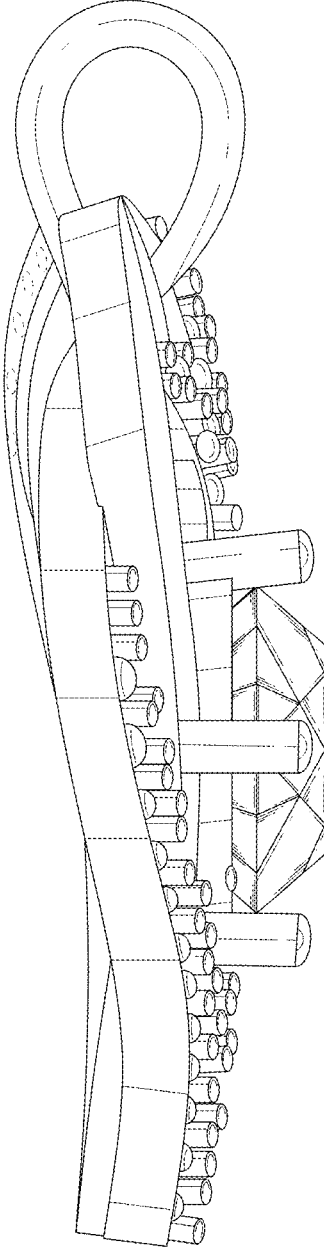


FIG. 5

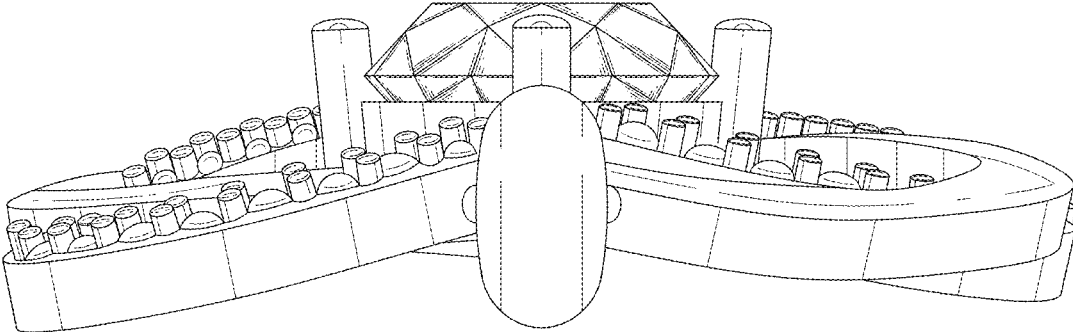


FIG. 6

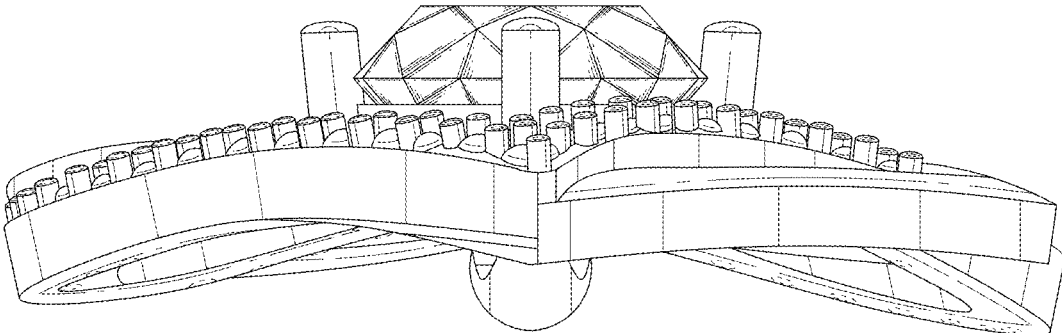


FIG. 7