



US00D884905S

(12) **United States Design Patent**
Menut et al.

(10) **Patent No.:** **US D884,905 S**

(45) **Date of Patent:** **** May 19, 2020**

(54) **SURGICAL C-SECTION DRAPE WITH TUNNEL**

(71) Applicant: **Medline Industries, Inc.**, Northfield, IL (US)

(72) Inventors: **Matthieu Menut**, Nantes (FR);
Cvetanka Gjurovska, Arnhem (NL);
Sabrina Nael-Pitre, Saint Julien de Vouvantes (FR)

(73) Assignee: **Medline Industries, Inc.**, Northfield, IL (US)

(**) Term: **15 Years**

(21) Appl. No.: **29/634,146**

(22) Filed: **Jan. 18, 2018**

(51) **LOC (12) Cl.** **24-04**

(52) **U.S. Cl.**
USPC **D24/189**

(58) **Field of Classification Search**
USPC D24/171, 188-190, 199, 200, 206,
D24/212-214, 108, 109, 118, 202;
D29/100

(Continued)

(56) **References Cited**

U.S. PATENT DOCUMENTS

3,667,458 A 6/1972 Krebs
3,698,395 A 10/1972 Hasson
(Continued)

FOREIGN PATENT DOCUMENTS

CN 201602902 U 10/2010
CN 101496742 A 3/2011
(Continued)

OTHER PUBLICATIONS

Medline. Cesarean Section Surgical Drape with Pouch and Fenestration. No date specified. <https://www.medline.com/product/Cesarean-Section-Surgical-Drape-with-Pouch-and-Fenestration/Z05-PF07160> (Year: 0).*

Primary Examiner — George D. Kirschbaum
Assistant Examiner — Darcey E Gottschalk
(74) *Attorney, Agent, or Firm* — Fitch, Even, Tabin & Flannery LLP

(57) **CLAIM**

The ornamental design for a surgical C-section drape with tunnel, as shown and described.

DESCRIPTION

FIG. 1 is a front perspective view of our new design of a surgical C-section drape with tunnel having a front flap and a rear flap, with FIG. 1 showing the front flap in a folded configuration and the tunnel in an unexpanded configuration;

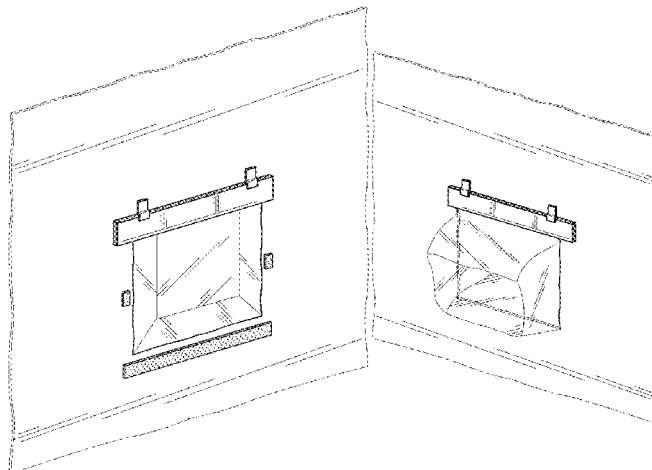
FIG. 2 is a front elevation view thereof;
FIG. 3 is a top plan view thereof;
FIG. 4 is a bottom plan view thereof;
FIG. 5 is a left side elevation view, the right side elevation view being a mirror image thereof;
FIG. 6 is a rear elevation view thereof;

FIG. 7 is a front perspective view of the surgical C-section drape showing the flap in a folded position and the tunnel in an expanded configuration as it would appear in use;
FIG. 8 is a rear perspective view of the surgical C-section drape showing the flap in a folded position and the tunnel in an expanded configuration as it would appear in use;

FIG. 9 is a front perspective view of the surgical C-section drape showing the front flap in an extended position;
FIG. 10 is a front elevation view thereof;
FIG. 11 is a top plan view thereof;
FIG. 12 is a bottom plan view thereof;
FIG. 13 is a left side elevation view, the right side elevation view being a mirror image thereof; and,
FIG. 14 is a rear elevation view showing the rear flap in an extended position.

The portions of the surgical C-section drape shown with stippling indicate an adhesive element. The broken lines depict portions of the surgical C-section drape with tunnel that form no part of the claim. The dash-dot broken line

(Continued)



around the perimeter of the surgical C-section drape indicates an unclaimed boundary.

1 Claim, 7 Drawing Sheets

(58) **Field of Classification Search**

CPC A61B 46/20; A61B 46/30; A61B 46/40
See application file for complete search history.

(56) **References Cited**

U.S. PATENT DOCUMENTS

3,707,964 A 1/1973 Collins
3,721,242 A 3/1973 Krusko
3,750,664 A 8/1973 Collins
3,763,857 A 10/1973 Schradling
3,791,381 A 2/1974 Krzewinski
3,799,161 A 3/1974 Collins
3,826,253 A 7/1974 Larsh
4,089,331 A 5/1978 Hartigan
4,169,472 A 10/1979 Morris
4,192,312 A 3/1980 Wilson
4,205,668 A 6/1980 Criddle
D256,161 S 7/1980 Oliver
4,384,573 A 5/1983 Elliott
4,489,720 A 12/1984 Morris
4,559,937 A 12/1985 Vinson
4,586,498 A 5/1986 Morris
4,616,642 A 10/1986 Martin
4,798,201 A 1/1989 Rawlings
4,869,271 A 9/1989 Idris
4,890,628 A 1/1990 Jackson
4,899,762 A 2/1990 Muller
4,944,737 A 7/1990 Bloom
5,042,507 A 8/1991 Dowdy
5,060,662 A 10/1991 Farnsworth
5,195,893 A 3/1993 Casale
5,197,493 A 3/1993 Grier-Idris
5,209,243 A 5/1993 Glassman
5,345,946 A 9/1994 Butterworth
5,380,278 A 1/1995 Mombrinie
5,464,024 A 11/1995 Mills
D373,921 S 9/1996 Palomo
5,778,889 A 7/1998 Jascomb
5,778,890 A 7/1998 Lofgren
5,800,483 A 9/1998 Vought
5,803,086 A 9/1998 Scholz
5,860,420 A 1/1999 Wiedner
5,875,780 A 3/1999 Rodriguez
D408,533 S * 4/1999 Niedospial, Jr. D24/118
5,991,666 A 11/1999 Vought
6,007,564 A 12/1999 Haverstock
6,019,102 A 2/2000 Becker
6,032,670 A 3/2000 Miller
6,199,553 B1 3/2001 Hafer
6,213,124 B1 4/2001 Butterworth
6,314,958 B1 11/2001 Harroll
6,345,621 B1 2/2002 Chandler
D467,345 S 12/2002 Gingles
6,497,233 B1 12/2002 DeAngelis
6,612,310 B2 9/2003 Sklar
6,694,981 B2 2/2004 Gingles
6,725,864 B2 4/2004 Ewonce
6,835,256 B2 12/2004 Menzies
6,843,252 B2 1/2005 Harrison
6,923,186 B2 8/2005 Gavette
6,966,320 B1 11/2005 Baynes
7,059,371 B2 * 6/2006 Renn A45C 3/06
150/101
7,086,404 B2 8/2006 Dusenbery
D539,904 S * 4/2007 Inoue D24/118
D541,414 S * 4/2007 Wallace D24/118
7,588,034 B2 9/2009 Mathis

D615,646 S * 5/2010 Russell D24/118
7,752,768 B2 7/2010 Young
7,853,311 B1 12/2010 Webb
D637,296 S * 5/2011 Matthews D24/184
8,011,371 B2 9/2011 Rotolo
8,079,365 B2 12/2011 Block
D653,330 S * 1/2012 Ecabert D24/118
D653,331 S * 1/2012 Ecabert D24/118
D653,333 S * 1/2012 Ecabert D24/118
D653,751 S * 2/2012 Ecabert D24/118
D653,752 S * 2/2012 Pittet D24/118
D653,753 S * 2/2012 Ecabert D24/118
8,459,265 B2 6/2013 Young
D693,603 S 11/2013 Esquivel
8,721,629 B2 5/2014 Hardman
8,783,262 B2 7/2014 Carrez
8,967,150 B2 3/2015 Carrez
D739,012 S * 9/2015 Hanuka D24/118
9,278,166 B2 3/2016 Czajka, Jr.
D796,685 S * 9/2017 Ohizep D24/189
D838,375 S * 1/2019 Cashin D24/206
D839,440 S * 1/2019 Cashin D24/206
D851,772 S * 6/2019 Haines D24/184
2001/0023697 A1 9/2001 Hinley
2002/0174870 A1 11/2002 Ewonce
2003/0051362 A1 3/2003 Buckman
2003/0159966 A1 8/2003 McMichael
2003/0187458 A1 10/2003 Carlson
2004/0103903 A1 6/2004 Falahee
2004/0118049 A1 6/2004 Chen
2004/0118409 A1 6/2004 Griesbach
2005/0234322 A1 10/2005 Lober
2006/0169290 A1 * 8/2006 Harris A61B 46/23
128/852
2006/0201521 A1 9/2006 Masini
2006/0207609 A1 9/2006 Gil
2006/0219249 A1 10/2006 Czajka
2008/0006279 A1 1/2008 Bodenham
2009/0158487 A1 6/2009 Paulsen
2009/0277460 A1 11/2009 Carrez
2010/0192960 A1 8/2010 Rotolo
2010/0263678 A1 10/2010 Baumann
2011/0015557 A1 1/2011 Aali
2011/0030702 A1 2/2011 Czajka
2011/0041995 A1 2/2011 Adams
2011/0126845 A1 6/2011 Hoffmann
2011/0214679 A1 9/2011 Chua
2011/0247634 A1 10/2011 Young
2012/0017921 A1 1/2012 Esquivel
2012/0222686 A1 9/2012 Lockwood
2012/0222687 A1 9/2012 Czajka
2012/0298115 A1 11/2012 Haines
2013/0284187 A1 10/2013 Esquivel
2013/0304080 A1 11/2013 Landry
2013/0312770 A1 11/2013 Young
2014/0012119 A1 1/2014 Geaghan
2014/0261457 A1 9/2014 Lothar
2015/0135398 A1 5/2015 Czajka
2015/0359596 A1 12/2015 Jarrelle
2016/0135915 A1 5/2016 Czajka, Jr.
2017/0258543 A1 9/2017 Chua

FOREIGN PATENT DOCUMENTS

EP 2151211 A2 2/2010
SU 445412 A1 10/1974
WO 9510986 A1 4/1994
WO 2006094062 A1 9/2006
WO 2011088326 A1 7/2011
WO 2012078620 A2 6/2012
WO 2012161869 A1 11/2012
WO 2013036387 A1 3/2013
WO 2014083573 A1 6/2014
WO 2015191953 A1 12/2015

* cited by examiner

FIG. 1

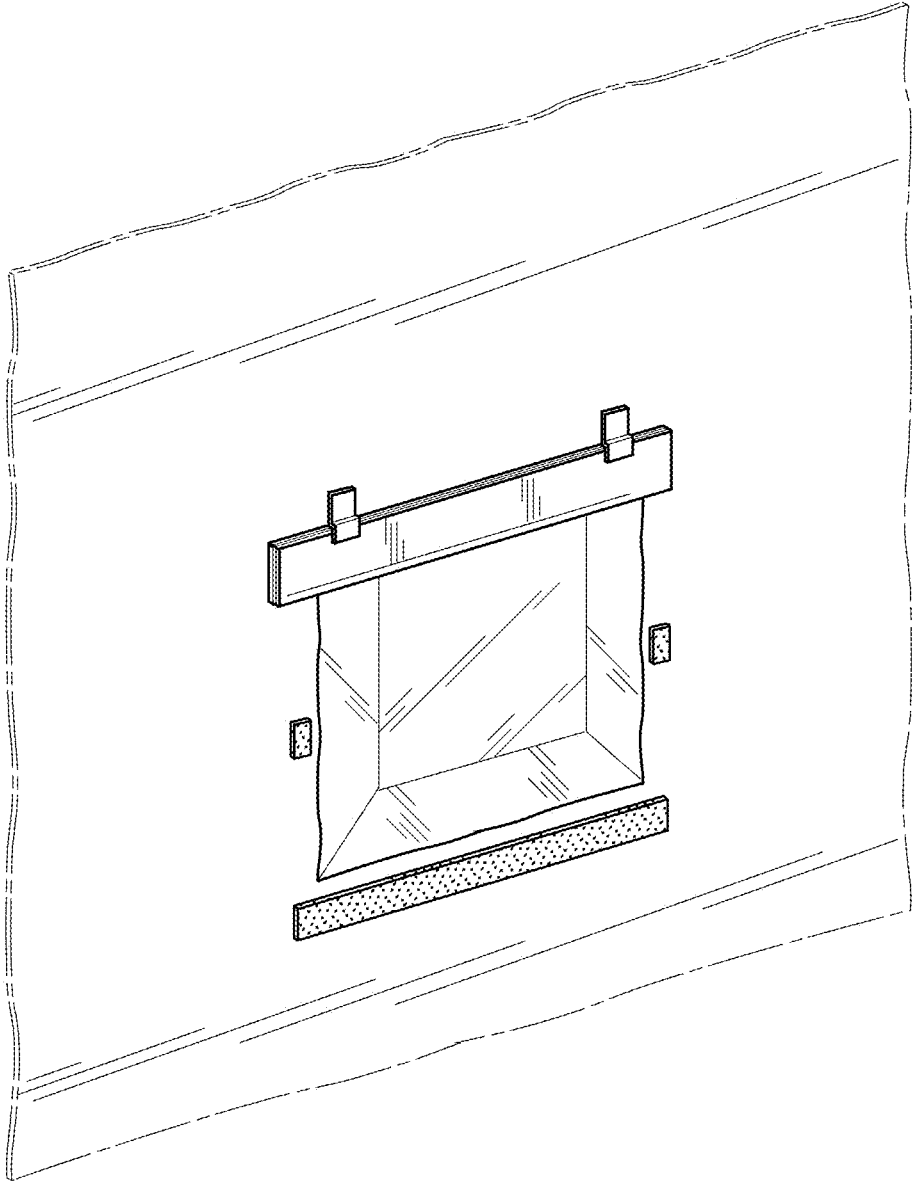


FIG. 3



FIG. 5



FIG. 2

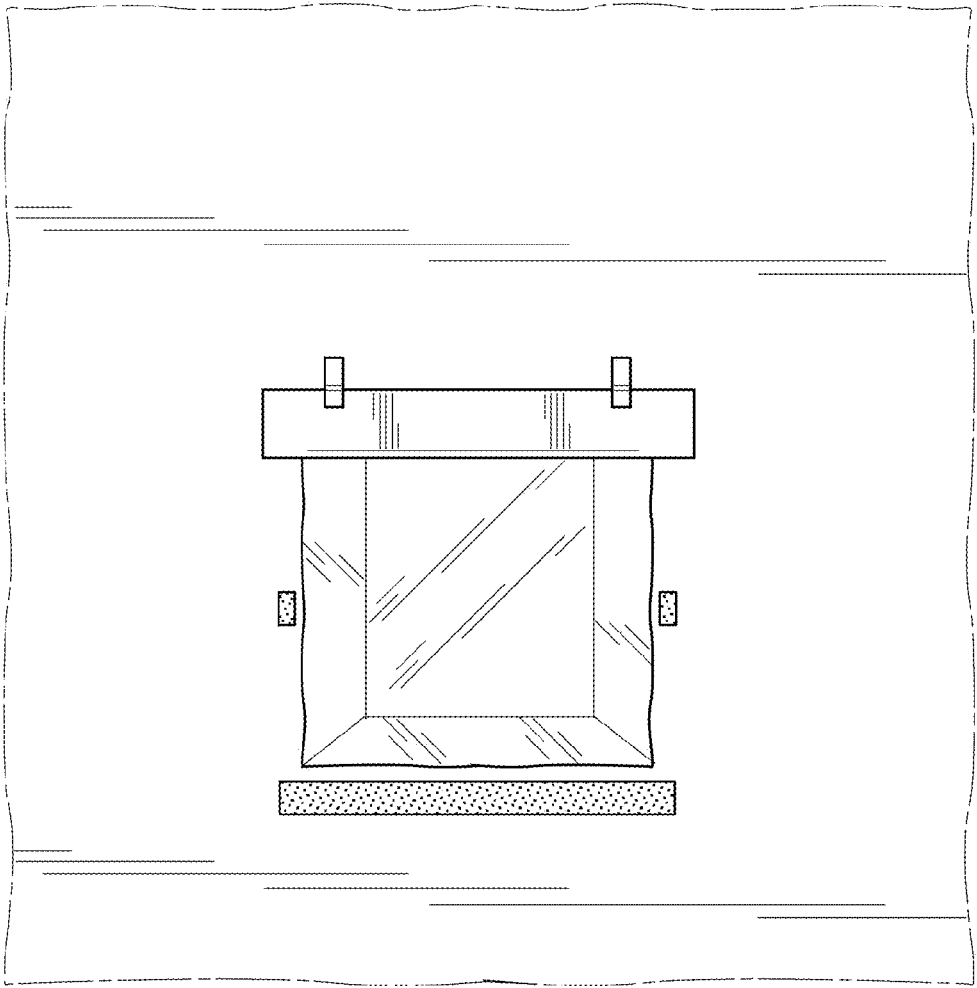
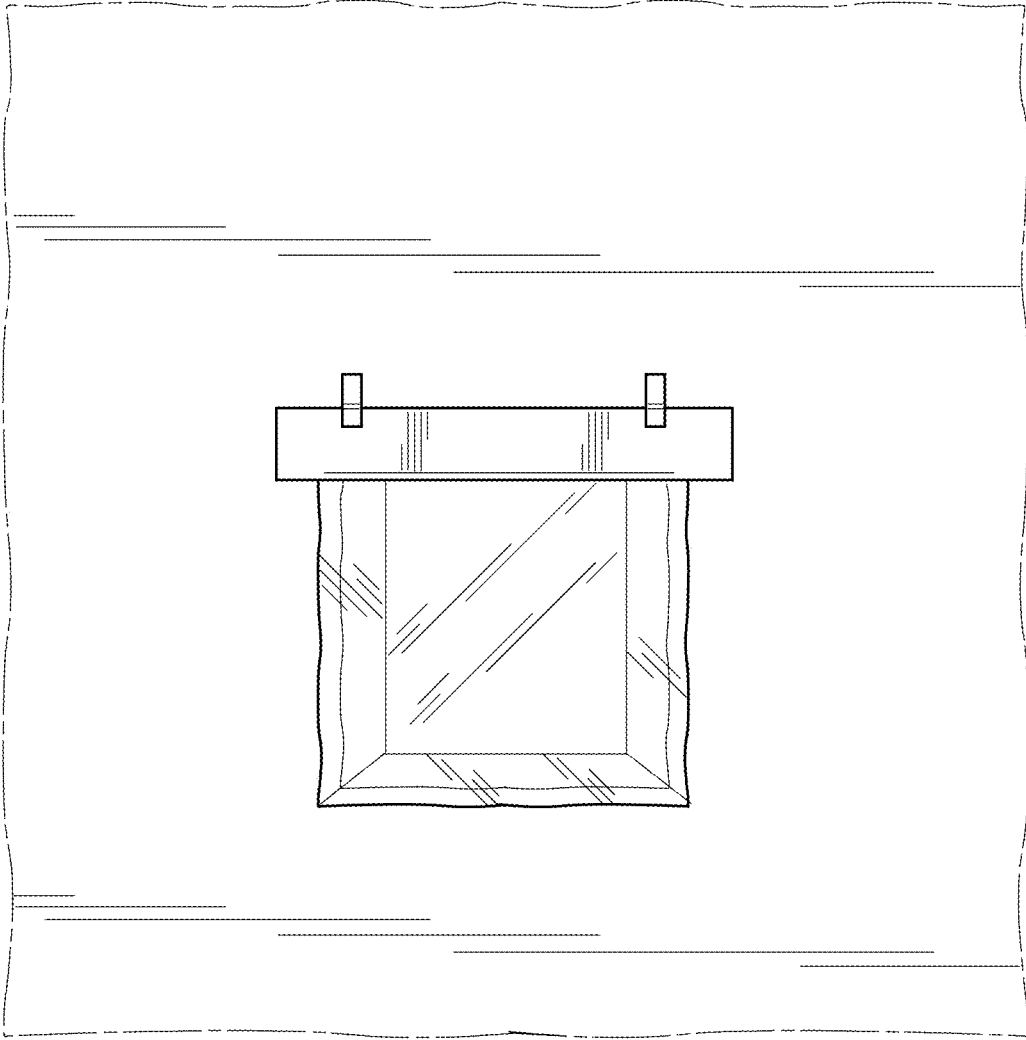


FIG. 4



FIG. 6



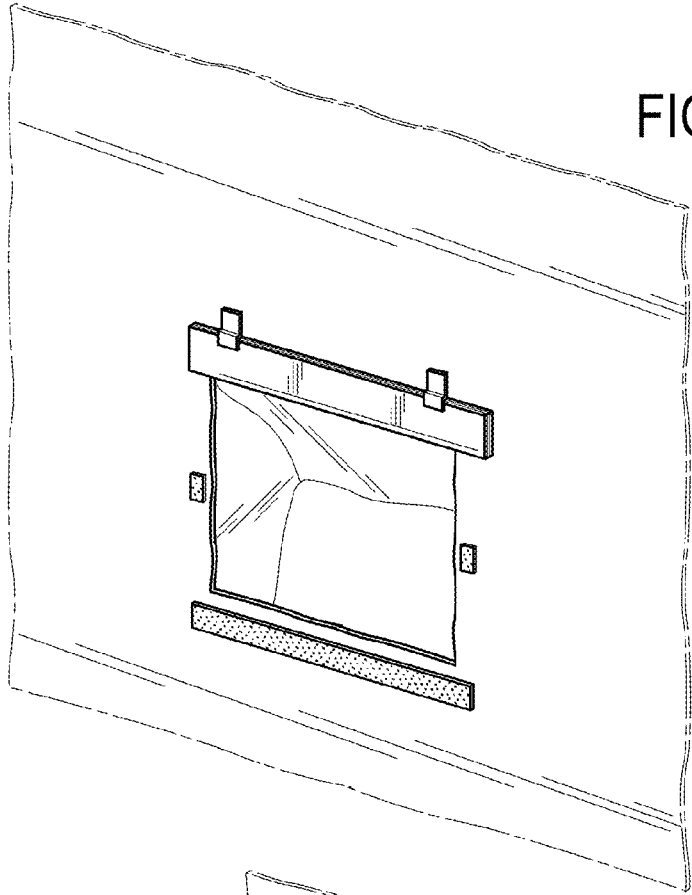


FIG. 7

FIG. 8

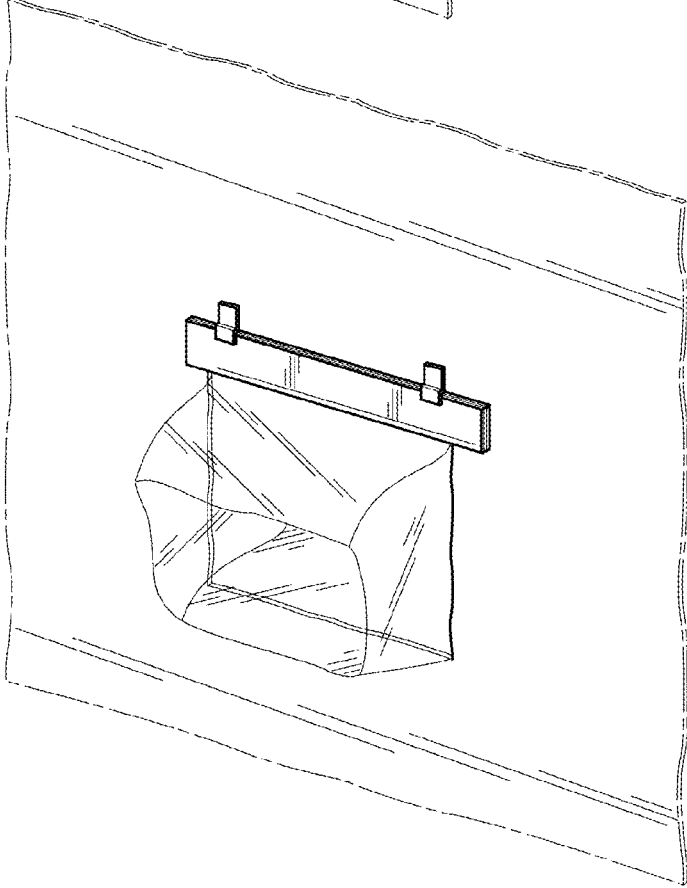


FIG. 9

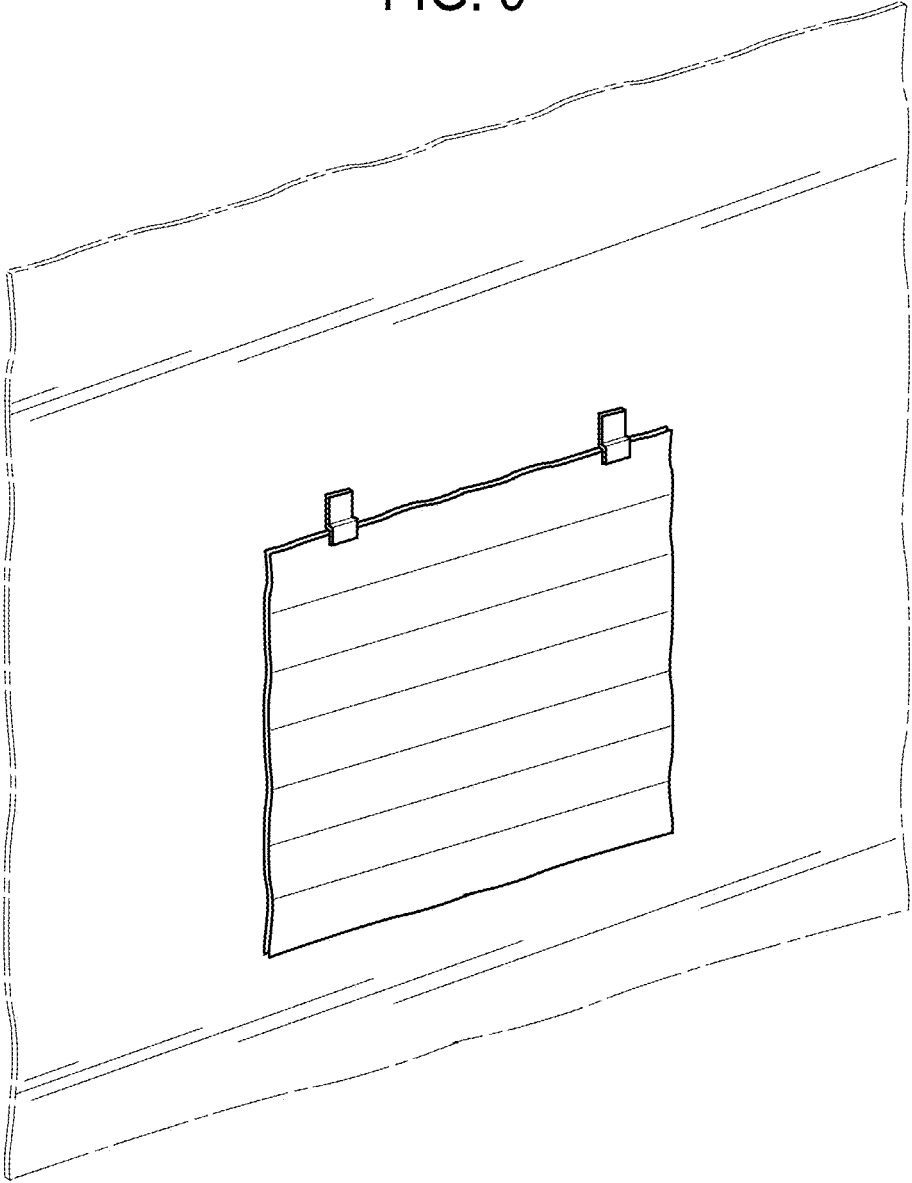


FIG. 11

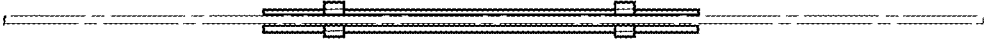


FIG. 13

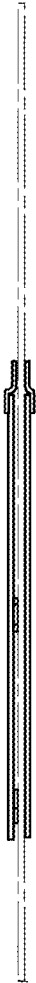


FIG. 10

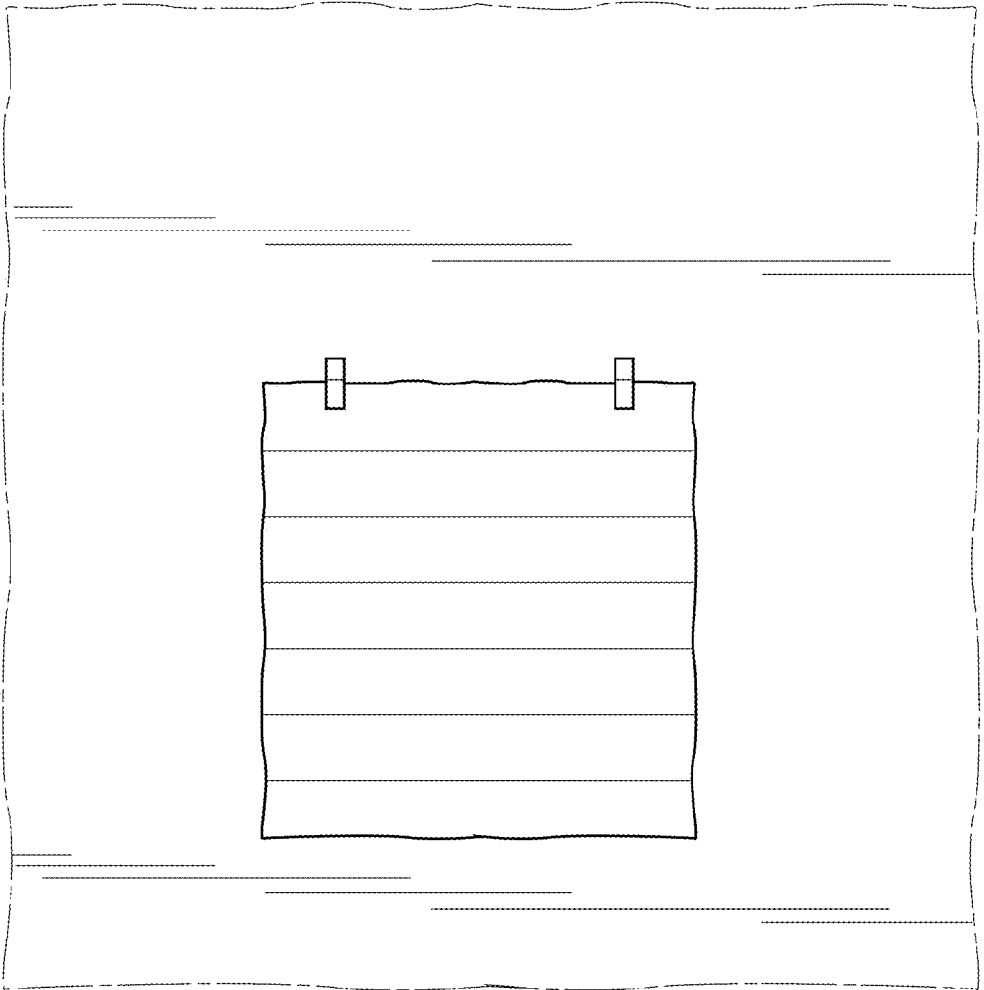


FIG. 12

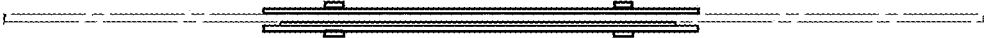


FIG. 14

