



US00D662879S

(12) **United States Design Patent**  
**Steinbuchel, IV et al.**

(10) **Patent No.:** **US D662,879 S**

(45) **Date of Patent:** **\*\* Jul. 3, 2012**

(54) **PORTABLE ELECTRIC VEHICLE CHARGER**

(75) Inventors: **Herman Joseph Steinbuchel, IV**,  
Pasadena, CA (US); **Albert Joseph Flack**,  
Lake Arrowhead, CA (US); **David Paul Soden**,  
Mission Viejo, CA (US); **Max Richard Beach, Jr.**,  
Long Beach, CA (US); **Jesus Francisco Galaz**,  
Azusa, CA (US)

(73) Assignee: **AeroVironment, Inc.**,  
Monrovia, CA (US)

(\*\*) Term: **14 Years**

(21) Appl. No.: **29/389,335**

(22) Filed: **Apr. 9, 2011**

(51) **LOC (9) Cl.** ..... **13-02**

(52) **U.S. Cl.** ..... **D13/107**

(58) **Field of Classification Search** ..... D13/107-110,  
D13/118-119, 184; D14/251, 253, 432,  
D14/434; 320/103-104, 107-115  
See application file for complete search history.

(56) **References Cited**

**U.S. PATENT DOCUMENTS**

5,019,767	A	*	5/1991	Shirai et al.	.....	320/112
D384,080	S	*	9/1997	Beutler et al.	.....	D14/253
D385,283	S	*	10/1997	Snyder et al.	.....	D14/253
D433,993	S	*	11/2000	Tang	.....	D13/110

D468,733	S	*	1/2003	Narducci et al.	.....	D14/253
D469,427	S	*	1/2003	Ma et al.	.....	D14/253
D575,225	S	*	8/2008	Ahlgren	.....	D13/107
D580,853	S	*	11/2008	Ahlgren	.....	D13/107
D581,356	S	*	11/2008	Ahlgren	.....	D13/107
D617,267	S	*	6/2010	Li	.....	D13/107

\* cited by examiner

*Primary Examiner* — Rosemary K Tarcza  
(74) *Attorney, Agent, or Firm* — Christopher R. Balzan,  
Esq.; Eric J. Aagaard, Esq.

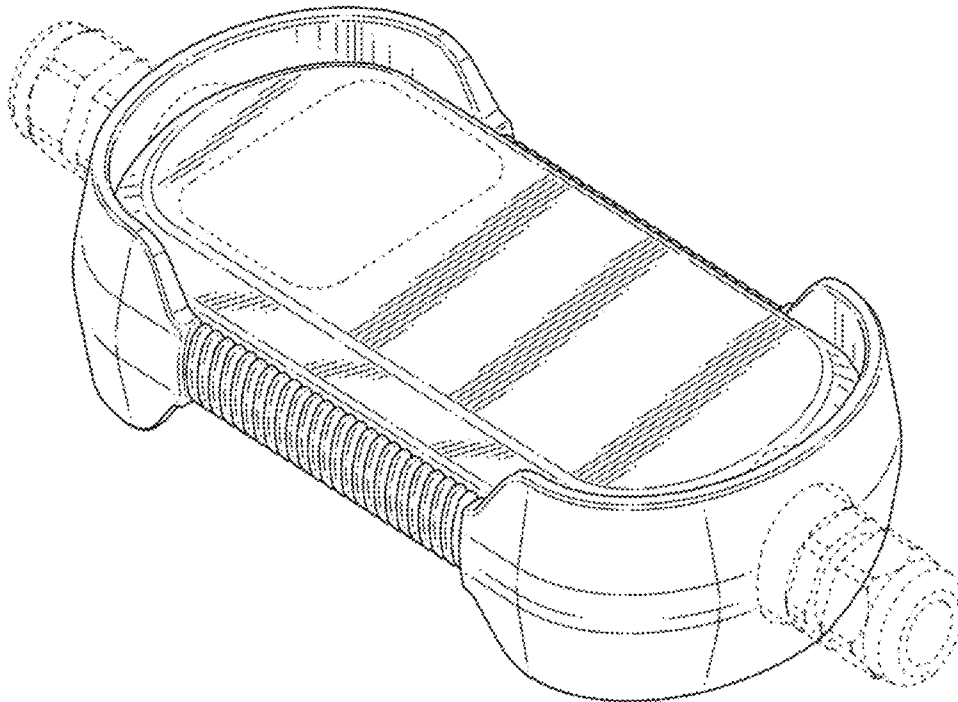
**CLAIM**

(57) We claim the ornamental design for a portable electric vehicle charger, as shown and described.

**DESCRIPTION**

FIG. 1 is a front-bottom right perspective view of an embodiment of a portable electric vehicle charger;  
FIG. 2 is a front view of the portable electric vehicle charger of FIG. 1;  
FIG. 3 is a top view of the portable electric vehicle charger of FIG. 1;  
FIG. 4 is a bottom view of the portable electric vehicle charger of FIG. 1;  
FIG. 5 is a left side view of the portable electric vehicle charger of FIG. 1;  
FIG. 6 is a right side view of the portable electric vehicle charger of FIG. 1; and,  
FIG. 7 is a back view of the portable electric vehicle charger of FIG. 1.

**1 Claim, 5 Drawing Sheets**



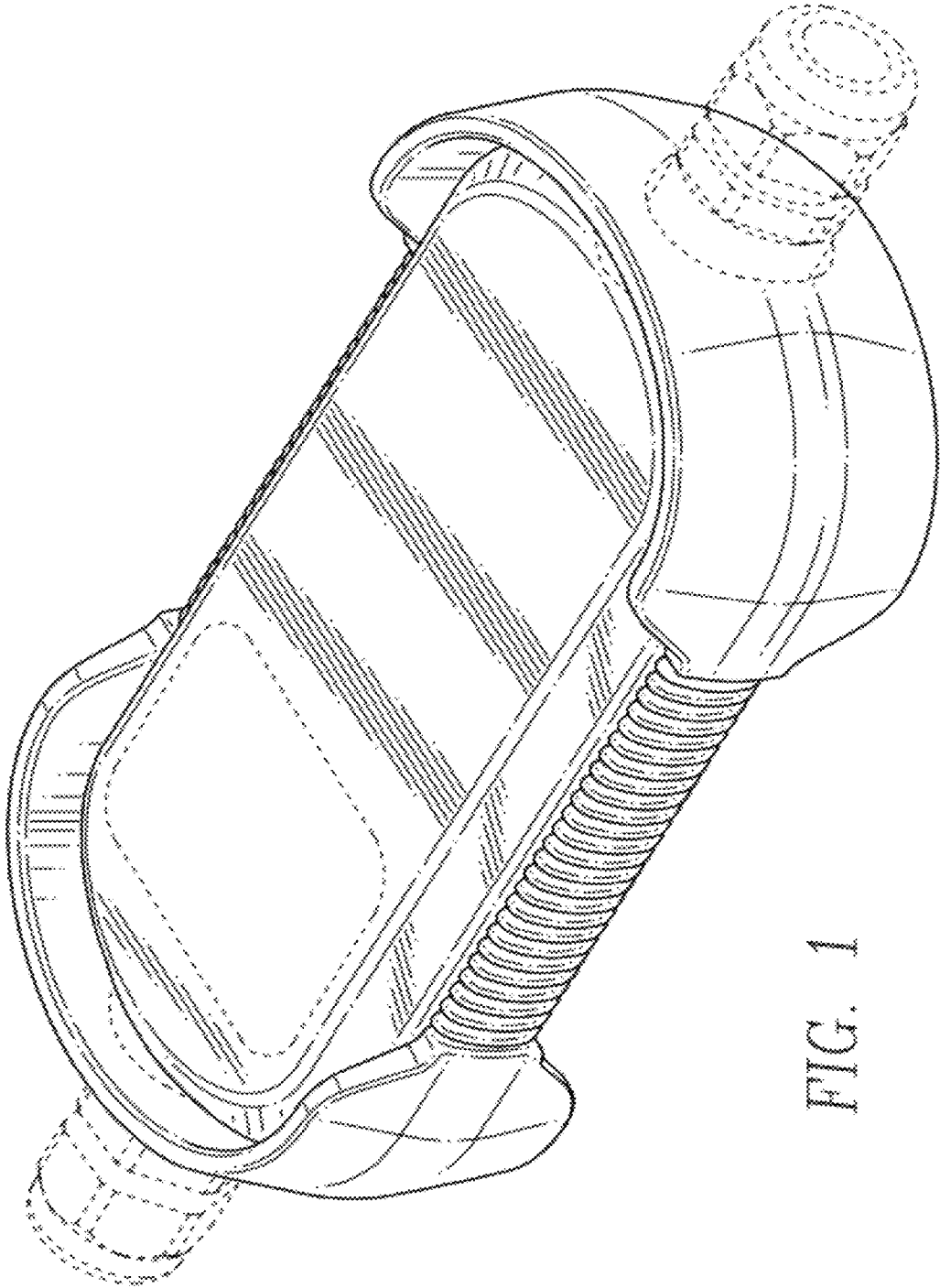


FIG. 1

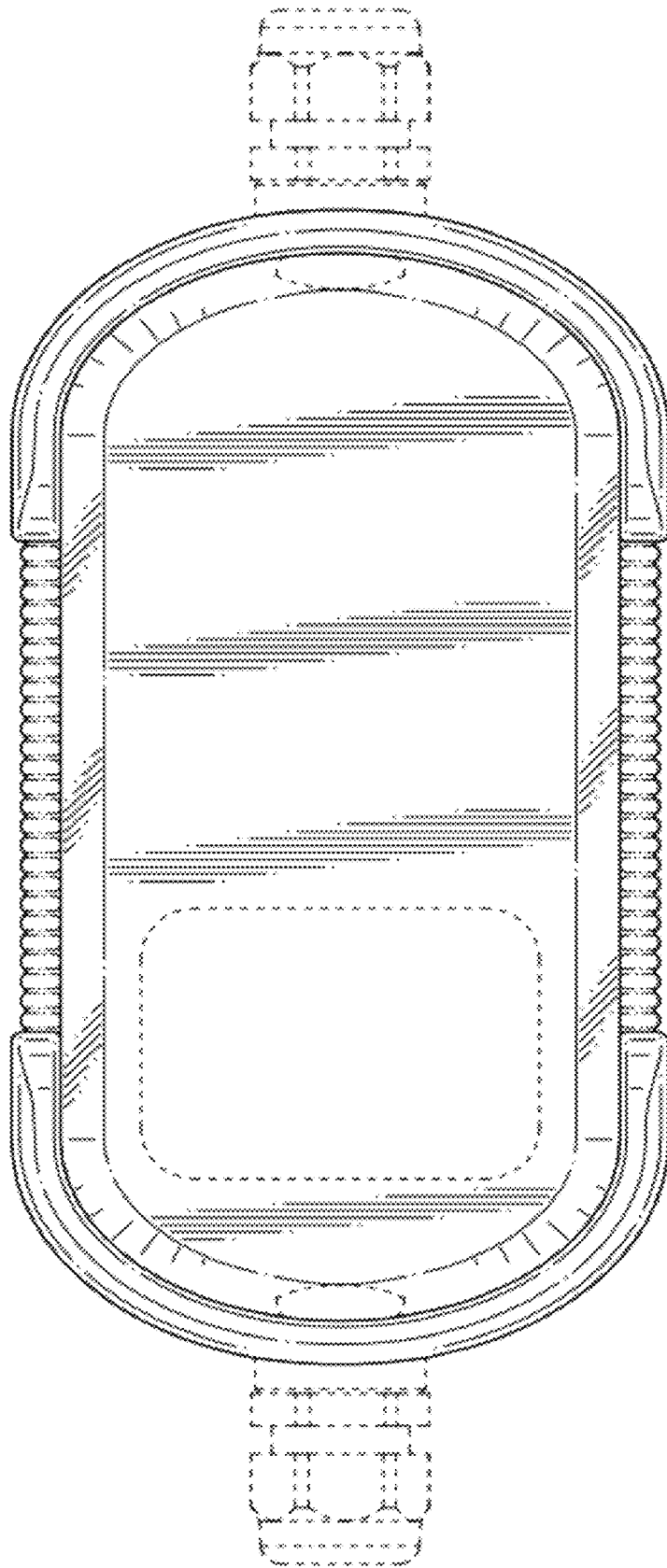


FIG. 2

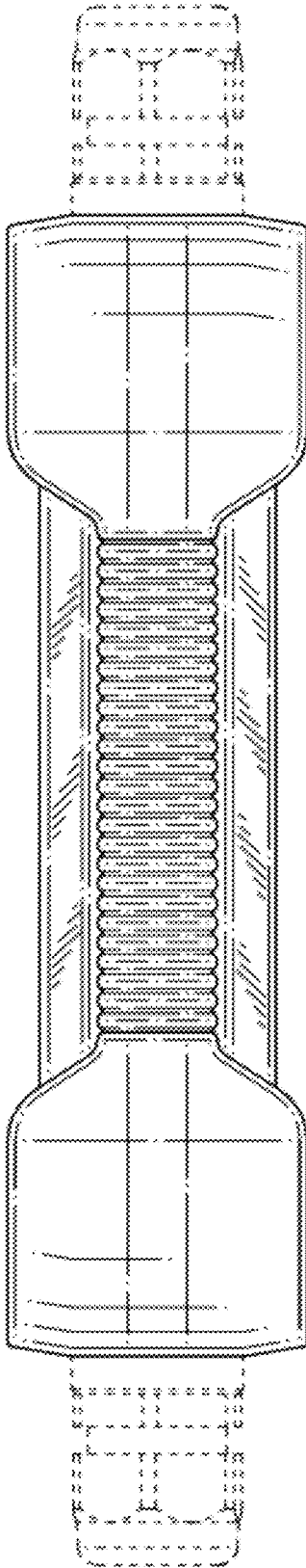


FIG. 3

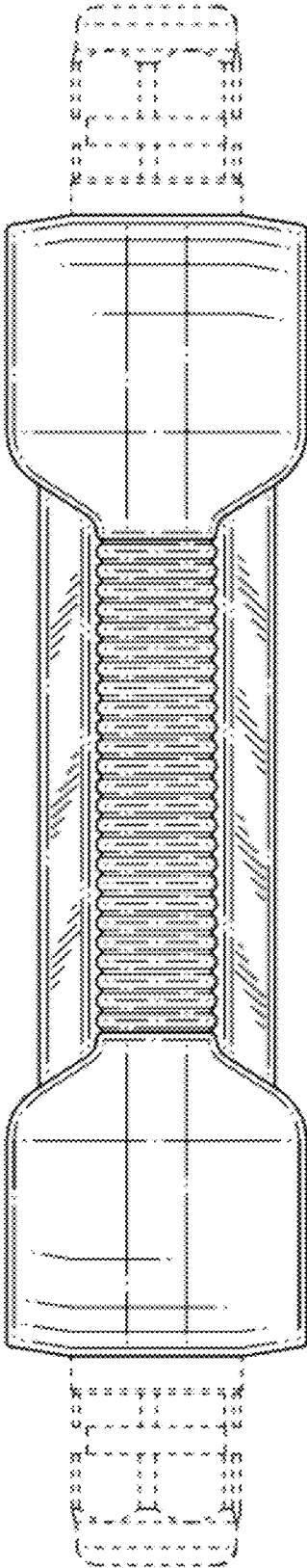


FIG. 4

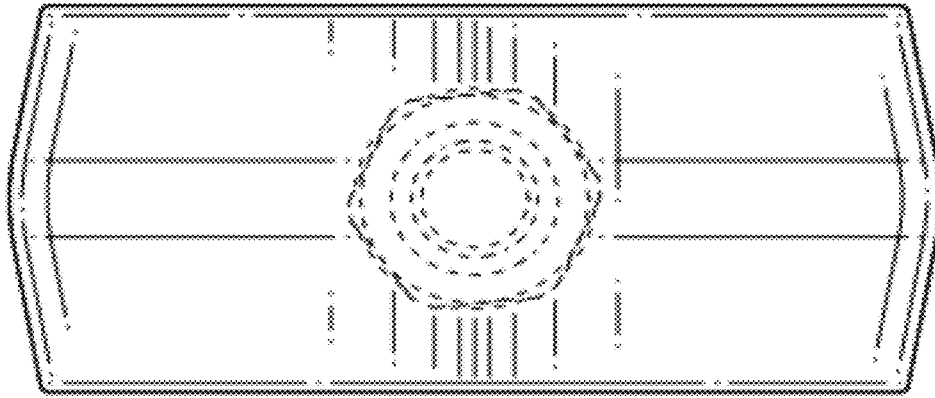


FIG. 5

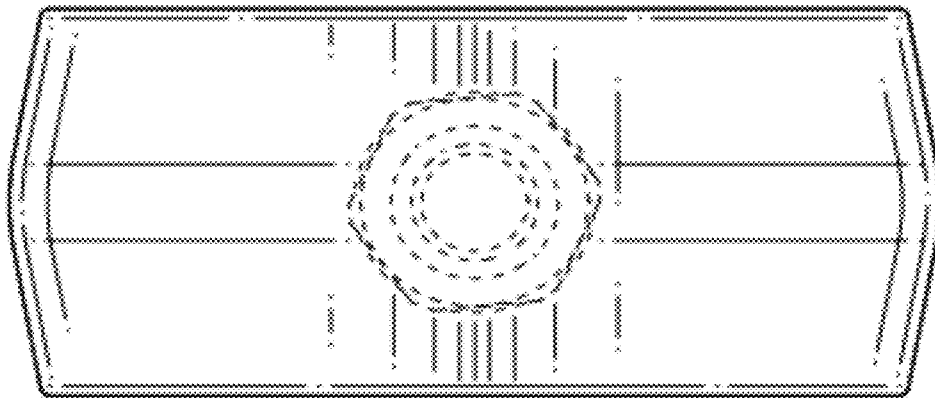


FIG. 6

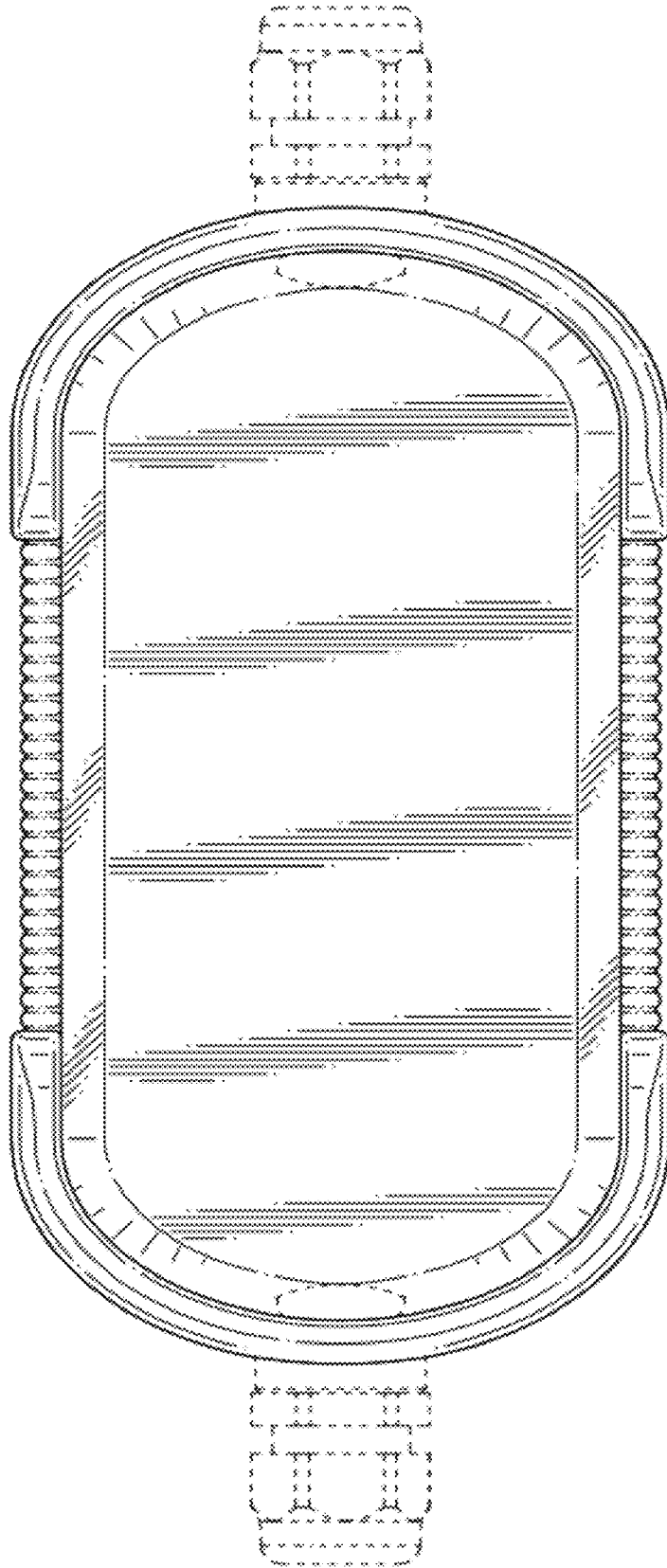


FIG. 7