



US00D323335S

United States Patent [19]

[11] Patent Number: **Des. 323,335**

Daloz

[45] Date of Patent: **** Jan. 21, 1992**

[54] **PROTECTIVE GLASSES**

4,964,714	10/1990	Weymouth, Jr. et al.	2/436
4,976,530	12/1990	Mackay et al.	351/44
5,000,558	3/1991	Blackstone	351/41

[75] Inventor: **Christian Daloz**, Geovresset, France

[73] Assignee: **Christian Daloz SA**, Saint Claude, France

[**] Term: **14 Years**

[21] Appl. No.: **452,299**

[22] Filed: **Dec. 18, 1989**

[30] **Foreign Application Priority Data**

Sep. 1, 1989 [CA] Canada 01098910

[52] U.S. Cl. **D16/112**

[58] Field of Search D16/102, 103, 111, 112, D16/116, 117, 119, 125, 127; 351/41, 44, 49, 62, 118; 2/436, 439, 440, 446, 44

[56] **References Cited**

U.S. PATENT DOCUMENTS

D. 281,507	11/1985	Schremmer	D16/112
D. 294,833	3/1988	Holden	D16/112

OTHER PUBLICATIONS

Optican, Jun. 17, 1988, p. 16, (Spectacles Digest).

Primary Examiner—Bernard Ansher

Assistant Examiner—R. Barkai

Attorney, Agent, or Firm—Young & Thompson

[57] **CLAIM**

The ornamental design for protective glasses, as shown and described.

DESCRIPTION

FIG. 1 is a top plan view of protective glasses showing my new design;

FIG. 2 is a bottom plan view thereof;

FIG. 3 is a front elevational view thereof;

FIG. 4 is a rear elevational view thereof; and

FIG. 5 is a side elevational view thereof, the side opposite that shown in FIG. 5 being the mirror image thereof.

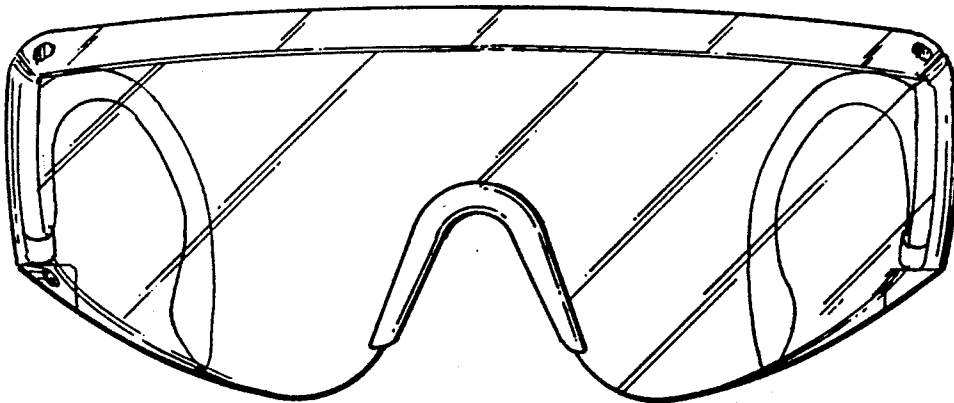


FIG. 1

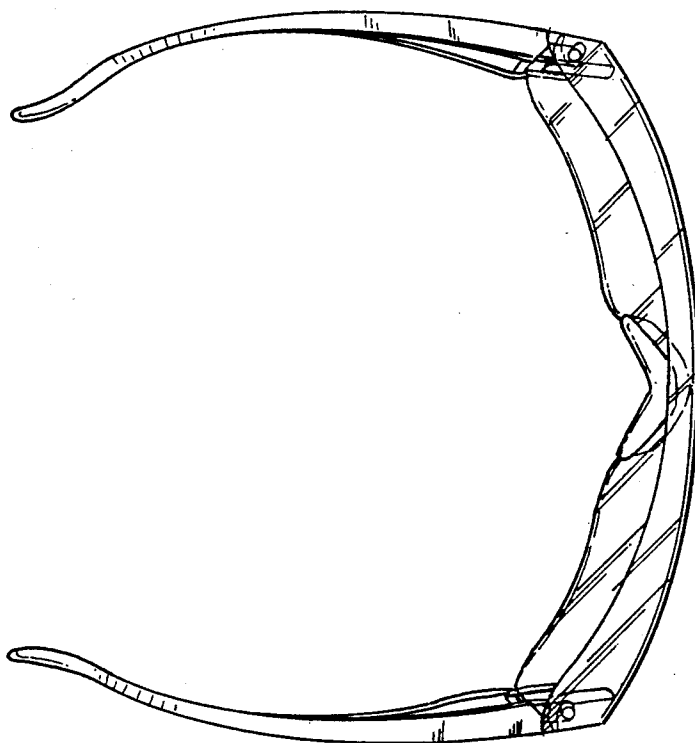


FIG. 2

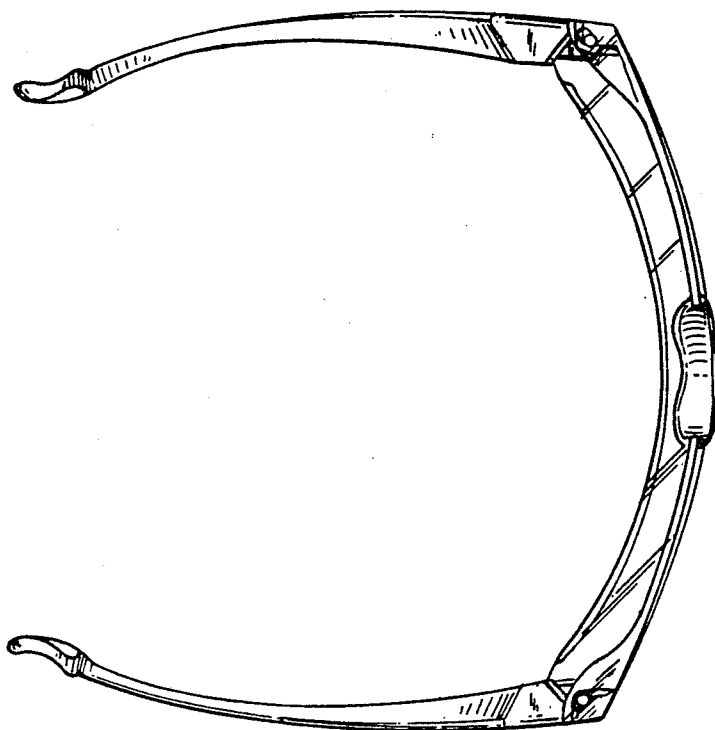


FIG.3

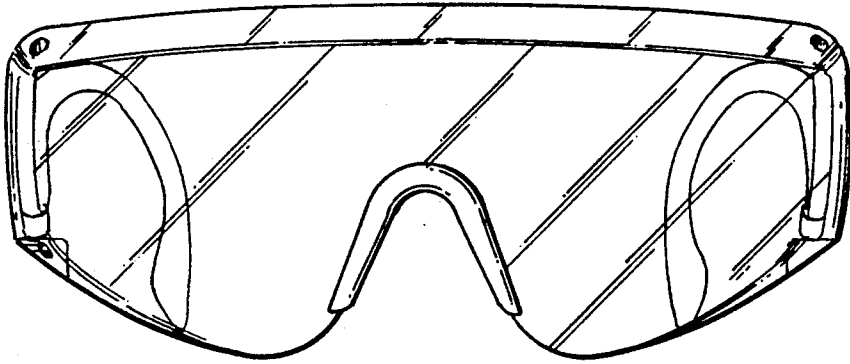


FIG.4

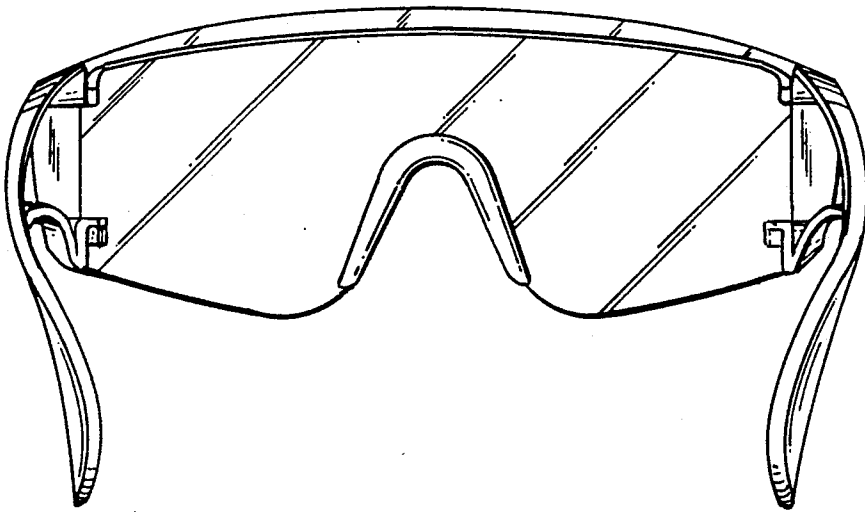


FIG.5

