



US00D419236S

United States Patent [19]

[11] Patent Number: Des. 419,236

Carlson et al.

[45] Date of Patent: ** Jan. 18, 2000

[54] SYRINGE-TYPE APPLICATOR

Primary Examiner—Stella Reid
Assistant Examiner—I Simmons
Attorney, Agent, or Firm—James D. Christoff

[75] Inventors: **Bruce W. Carlson**, Minneapolis; **John W. Dubbe**, Oakdale, both of Minn.

[73] Assignee: **3M Innovative Properties Company**, St. Paul, Minn.

[57] CLAIM

[**] Term: **14 Years**

The ornamental design for a syringe-type applicator, as shown and described.

[21] Appl. No.: **29/094,455**

DESCRIPTION

[22] Filed: **Oct. 2, 1998**

FIG. 1 is a top, front and left perspective view of a syringe-type applicator showing our new design;

[51] LOC (7) Cl. **24-02**

[52] U.S. Cl. **D24/114; D24/112**

FIG. 2 is a front elevational view thereof, the rear elevational views being a mirror image thereto;

[58] Field of Search D24/114, 112; 604/211, 210, 224; 222/390; 433/90, 91

FIG. 3 is a right side elevational view thereof, the left side elevational views being a mirror image thereto;

[56] References Cited

U.S. PATENT DOCUMENTS

D. 274,838	7/1984	Shadwell	D24/114
4,852,768	8/1989	Bartsch	604/220 X
5,364,267	11/1994	Fischer	433/26
5,387,103	2/1995	Fischer	433/90 X
5,618,273	4/1997	Fischer	604/211
5,620,423	4/1997	Eykman et al.	604/217
5,647,856	7/1997	Eykman et al.	604/181
5,697,918	12/1997	Fischer et al.	604/227
5,728,075	3/1998	Levander	604/211

FIG. 4 is a top plan view thereof;

FIG. 5 is a bottom view thereof;

FIG. 6 is a top, front and left perspective view thereof, with the shaft shown in retracted position; and,

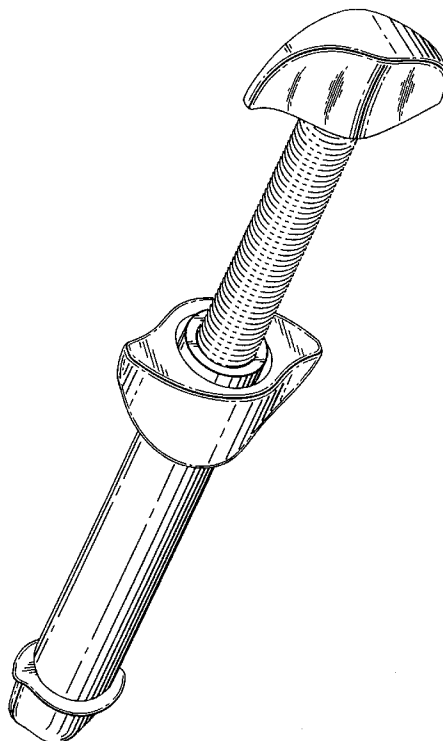
FIG. 7 is a front elevational view of the applicator as shown in FIG. 6.

The broken line showing of the shaft in FIGS. 1, 2 and 3 is for illustrative purposes only and forms no part of the claimed design.

OTHER PUBLICATIONS

10 pages of photographs taken by applicant of various syringe-type applicators, each of which was commercially available before Oct. 2, 1998.

1 Claim, 4 Drawing Sheets



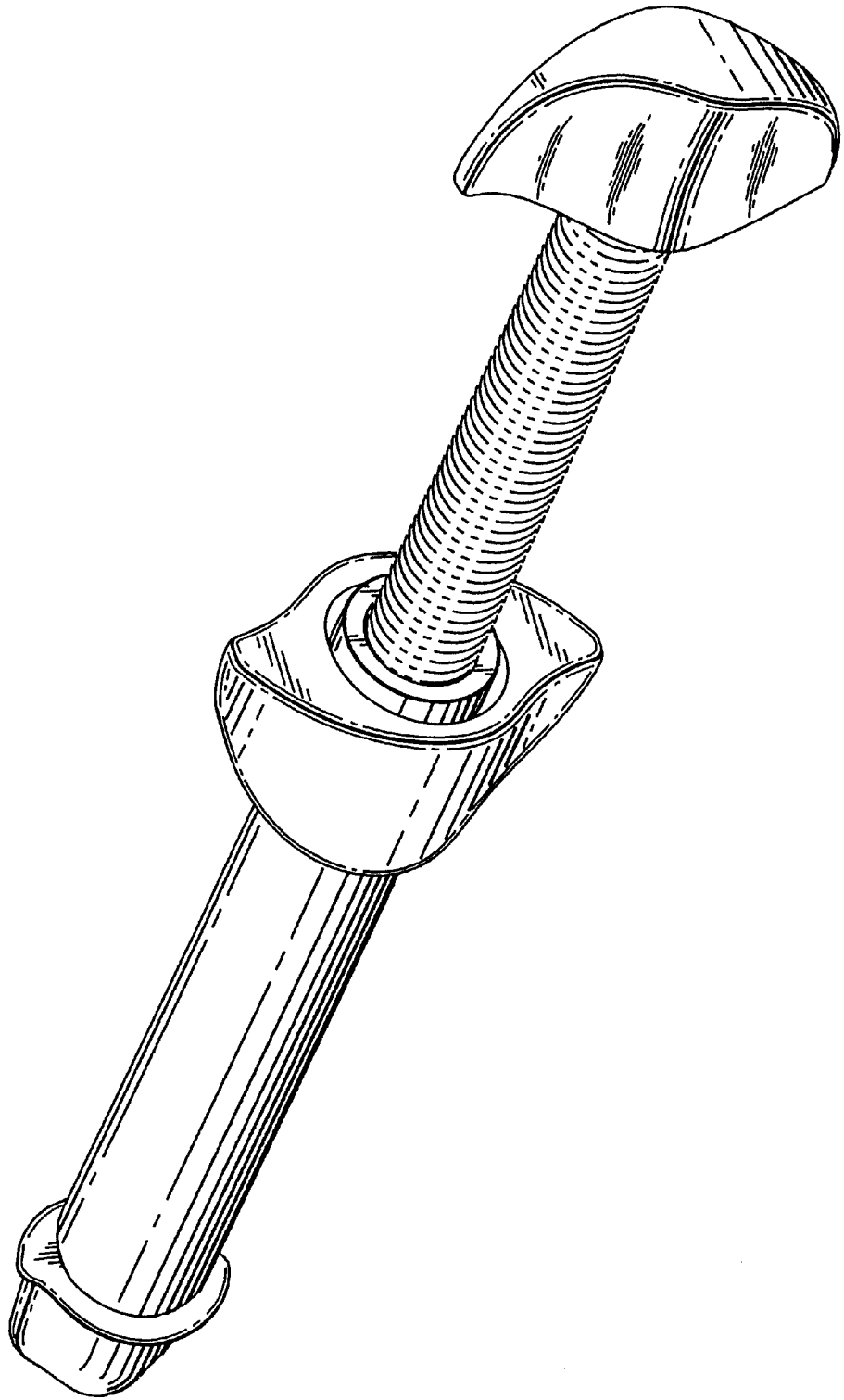


Fig. 1

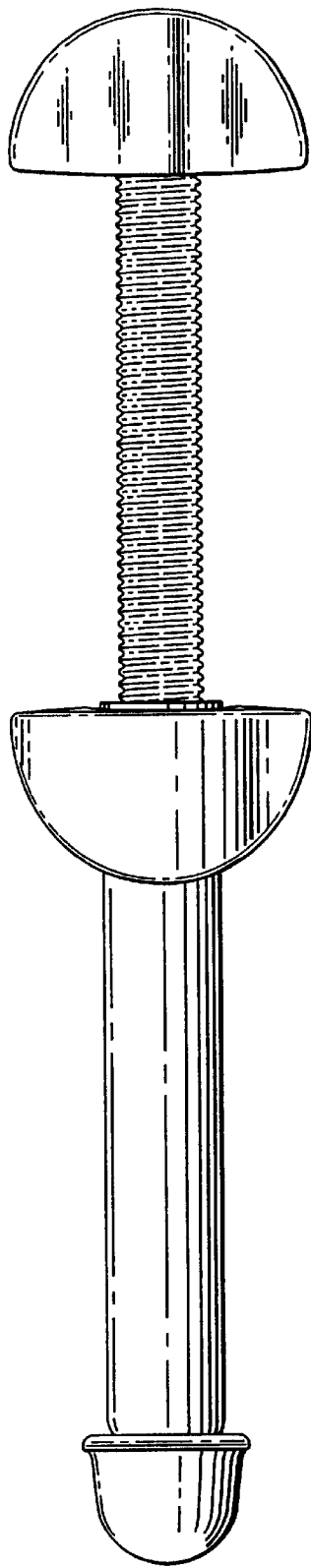


Fig. 2

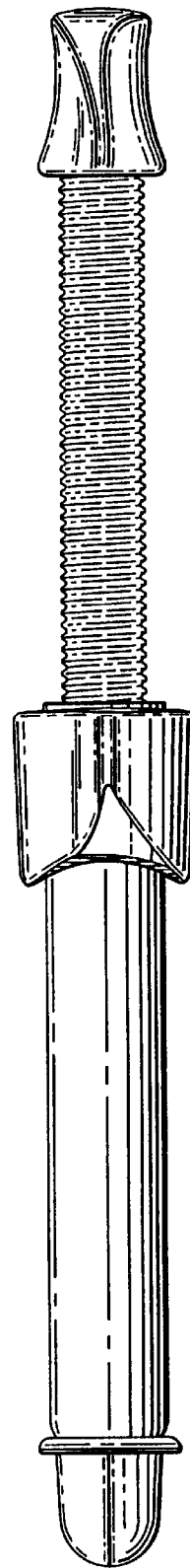


Fig. 3

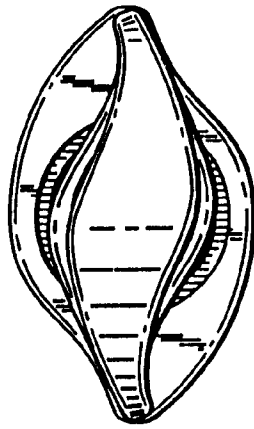


Fig. 4

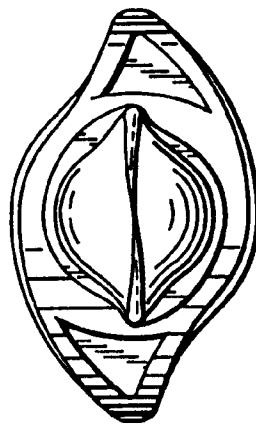


Fig. 5

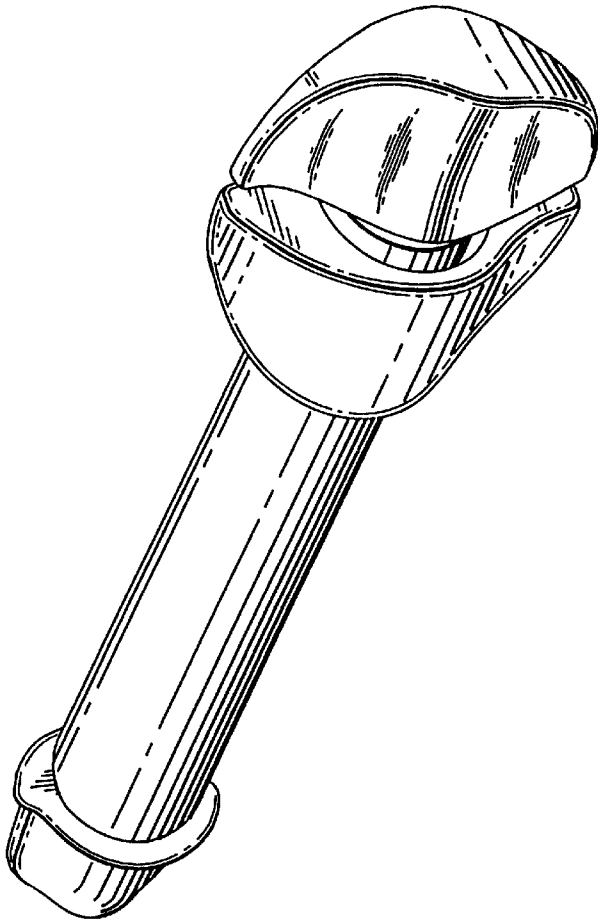


Fig. 6

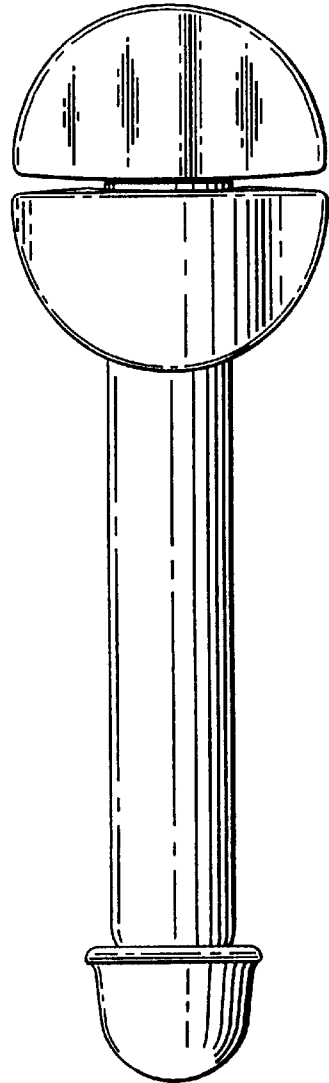


Fig. 7