



(12) **United States Design Patent**
Cheng et al.

(10) **Patent No.:** **US D923,618 S**
(45) **Date of Patent:** **** Jun. 29, 2021**

(54) **NOTEBOOK COMPUTER WITH SECONDARY DISPLAY**

FOREIGN PATENT DOCUMENTS

TW 586812 5/2004

(71) Applicants: **Yu-Wen Cheng**, Taipei (TW);
Wang-Hung Yeh, Taipei (TW);
Chun-Wen Wang, Taipei (TW)

OTHER PUBLICATIONS

Abalcazar, iPhone Camera Lens Stock Photo, posted at iStock, posting date Oct. 22, 2013. Site visited Sep. 30, 2020. URL: <<https://www.istockphoto.com/photo/iphone-camera-lens-gm458467707-28703754>> (Year: 2013).*

(Continued)

(72) Inventors: **Yu-Wen Cheng**, Taipei (TW);
Wang-Hung Yeh, Taipei (TW);
Chun-Wen Wang, Taipei (TW)

(73) Assignee: **COMPAL ELECTRONICS, INC.**,
Taipei (TW)

Primary Examiner — Kathleen L Jones
(74) *Attorney, Agent, or Firm* — JCIPRNET

(**) Term: **15 Years**

(57) **CLAIM**

(21) Appl. No.: **29/649,708**

The ornamental design for a notebook computer with secondary display, as shown and described.

(22) Filed: **Jun. 1, 2018**

DESCRIPTION

(51) **LOC (13) Cl.** **14-02**

(52) **U.S. Cl.**

USPC **D14/327**; D14/318

(58) **Field of Classification Search**

USPC D14/315–327, 331, 336, 339–340, 450,
D14/373, 127, 371, 374, 383–384;
D18/1–2, 7, 11, 12.2–12.3
CPC G06F 1/166; G06F 1/1613; G06F 1/1616;
G06F 1/1618; G06F 1/162; G06F 1/1622;
G06F 1/1624; G06F 1/1633; G06F
1/1615; G06F 1/1643; G06F 1/1654;
G06F 1/1656; G06F 1/1669; G06F 1/203;
G06F 1/1688; G06F 1/1601; G06F
1/1637; G06F 1/181; G06F 1/1641; G06F
1/1647; G06F 1/1649;

(Continued)

FIG. 1 is a perspective view of a notebook computer with secondary display showing a first embodiment of our new design;

FIG. 2 is a front view thereof;

FIG. 3 is a rear view thereof;

FIG. 4 is a left side view thereof;

FIG. 5 is a right side view thereof;

FIG. 6 is a top view thereof;

FIG. 7 is a bottom view thereof;

FIG. 8 is a perspective view of a notebook computer with secondary display showing a second embodiment of our new design;

FIG. 9 is a front view thereof;

FIG. 10 is a rear view thereof;

FIG. 11 is a left side view thereof;

FIG. 12 is a right side view thereof;

FIG. 13 is a top view thereof; and,

FIG. 14 is a bottom view thereof.

The dashed broken lines illustrate portions of the notebook computer with secondary display and form no part of the claimed design.

(56) **References Cited**

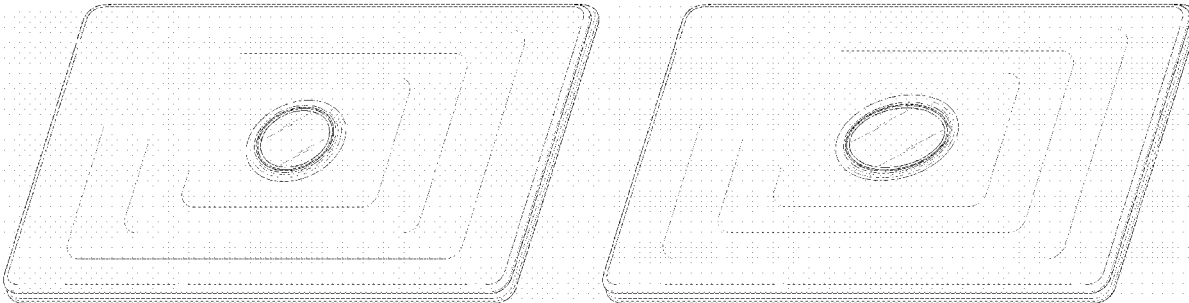
U.S. PATENT DOCUMENTS

D368,703 S * 4/1996 Goodrich D14/325

D410,442 S * 6/1999 Goodner D14/318

(Continued)

1 Claim, 10 Drawing Sheets



(58) **Field of Classification Search**

CPC G06F 1/165; G06F 1/1652; G06F 1/1681;
H05K 5/0047; H05K 5/0052

See application file for complete search history.

(56)

References Cited

U.S. PATENT DOCUMENTS

D425,881 S * 5/2000 Borza D14/384
D427,192 S * 6/2000 Segawa D14/318
6,172,869 B1 * 1/2001 Hood, III G06F 1/1616
312/223.1
D442,580 S * 5/2001 Wolff D14/318
D460,759 S * 7/2002 West D14/341
D466,498 S * 12/2002 Wang D14/318
6,621,691 B2 * 9/2003 Howell G06F 1/1616
312/223.2
D483,357 S * 12/2003 Wei D14/323
D485,264 S * 1/2004 Chen D14/322
D485,542 S * 1/2004 Wu D14/507
D489,366 S * 5/2004 Lu D14/318
D490,417 S * 5/2004 Chen D14/318
D492,301 S * 6/2004 Lu D14/318
D492,678 S * 7/2004 Kim D14/327
D500,299 S * 12/2004 Obata D14/500
D501,208 S * 1/2005 Ozolins D14/383
D508,245 S * 8/2005 Ozolins D14/383
D511,780 S * 11/2005 Korpai D14/450
D512,716 S * 12/2005 Huang D14/327
D513,254 S * 12/2005 Chu D14/371
D516,066 S * 2/2006 Solomon D14/327
D527,730 S * 9/2006 Dong D14/315
D529,907 S * 10/2006 Dong D14/315
D535,990 S * 1/2007 Zhang D14/315
D539,795 S * 4/2007 Shi D14/315
D548,234 S * 8/2007 Kurihara D14/341
D588,670 S * 3/2009 Walz D21/794
D603,395 S * 11/2009 Hong D14/315
D622,268 S * 8/2010 Hong D14/315
D633,489 S * 3/2011 Kim D14/315
D652,831 S * 1/2012 Lee D14/315
D664,532 S * 7/2012 Lee D14/315
D676,439 S * 2/2013 Takuma D14/327
D677,655 S * 3/2013 Sirolich D14/305
D717,298 S * 11/2014 Sale D14/371
D719,935 S * 12/2014 Diamond D14/218

D727,901 S * 4/2015 Nishimura D14/383
D733,138 S * 6/2015 Moammer D14/203.7
D738,001 S * 9/2015 Wang D26/2
D752,503 S * 3/2016 Sethapun D12/345
D761,912 S * 7/2016 Zenoff D14/374
D791,120 S * 7/2017 Leonard D14/316
D791,133 S * 7/2017 Brownlee D14/384
D792,404 S * 7/2017 Nott D14/384
D797,714 S * 9/2017 Kim D14/248
D800,725 S * 10/2017 Akana D14/371
D806,657 S * 1/2018 Russo D13/168
D813,860 S * 3/2018 Doczy D14/315
D839,270 S * 1/2019 Mouradian D14/384
D839,874 S * 2/2019 Biesart D14/383
D850,439 S * 6/2019 Jung D14/315
D855,613 S * 8/2019 Kaiya D14/383
D883,282 S * 5/2020 Tatic D14/383
D887,724 S * 6/2020 Yu D6/308
D888,055 S * 6/2020 Iasso D14/384
2012/0072857 A1 * 3/2012 Kubo G06F 1/1692
715/761
2016/0004355 A1 * 1/2016 Zadesky G06F 3/033
345/174
2016/0070302 A1 * 3/2016 Matzke G06F 1/1632
361/679.04
2016/0349909 A1 * 12/2016 Lu G06F 1/1677

OTHER PUBLICATIONS

Kaarsten, Iphone 7 Camera Compared to Iphone 6 camera, posted at iStock, posting date Oct. 17, 2016. Site visited Sep. 30, 2020. URL: <<https://www.istockphoto.com/photo/iphone-7-camera-compared-to-iphone-6-camera-gm614867868-106533889>> (Year: 2016).*

Gennadiy Kravchenko, Modern Iphone 10 smartphone in close up, posted at iStock, posting date Nov. 3, 2017. Site visited Sep. 30, 2020. URL: <<https://www.istockphoto.com/photo/new-iphone-x-smart-phone-model-close-up-gm868833264-144906431>> (Year: 2017).*

Terng99, 3d rendering of room with lighting, posted at iStock, posting date Sep. 22, 2017. Site visited Sep. 30, 2020. URL: <<https://www.istockphoto.com/photo/abstract-interior-design-of-modern-showroom-with-empty-white-floor-and-curved-gm852044842-139975481>> (Year: 2017).*

* cited by examiner

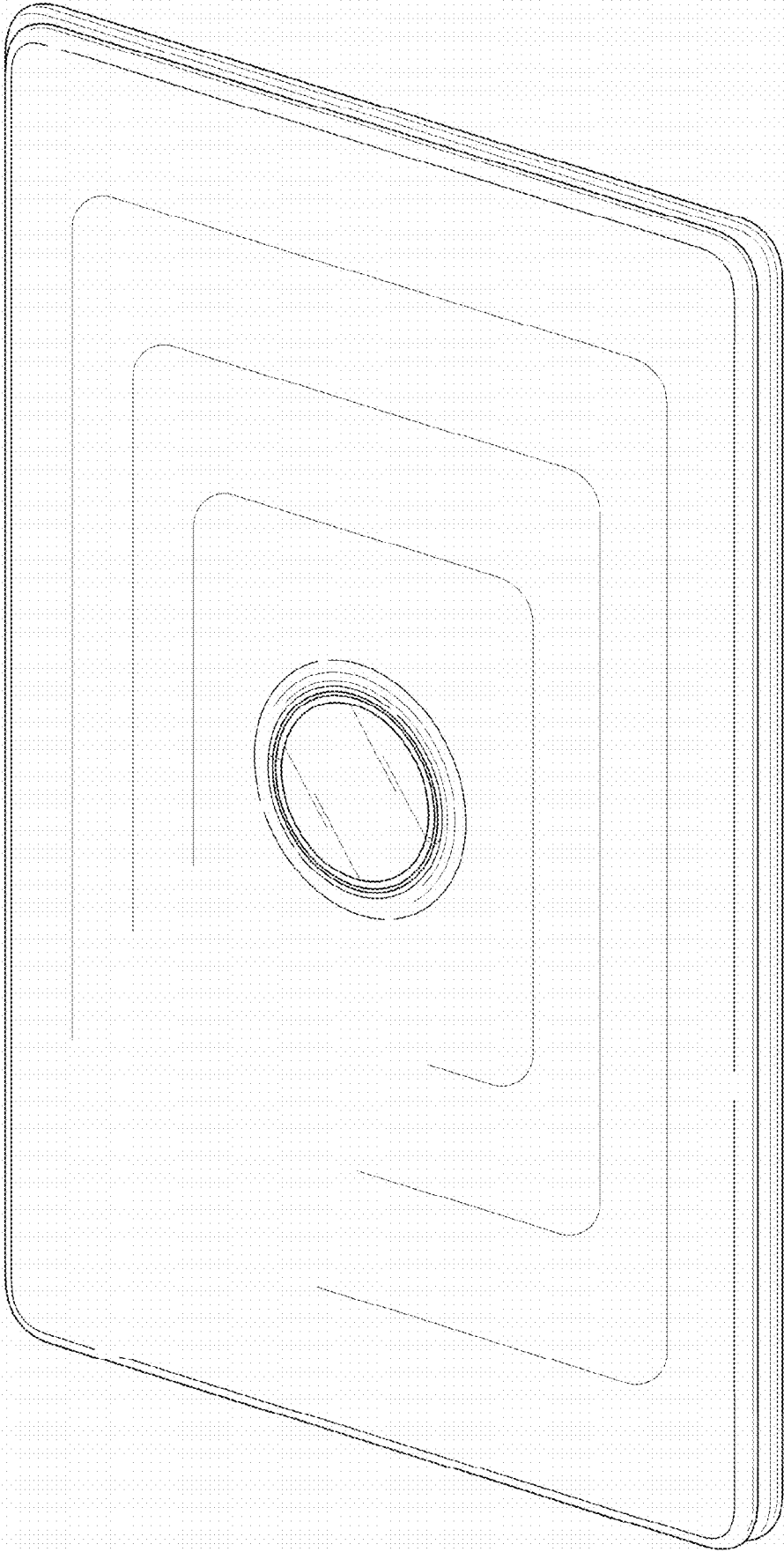
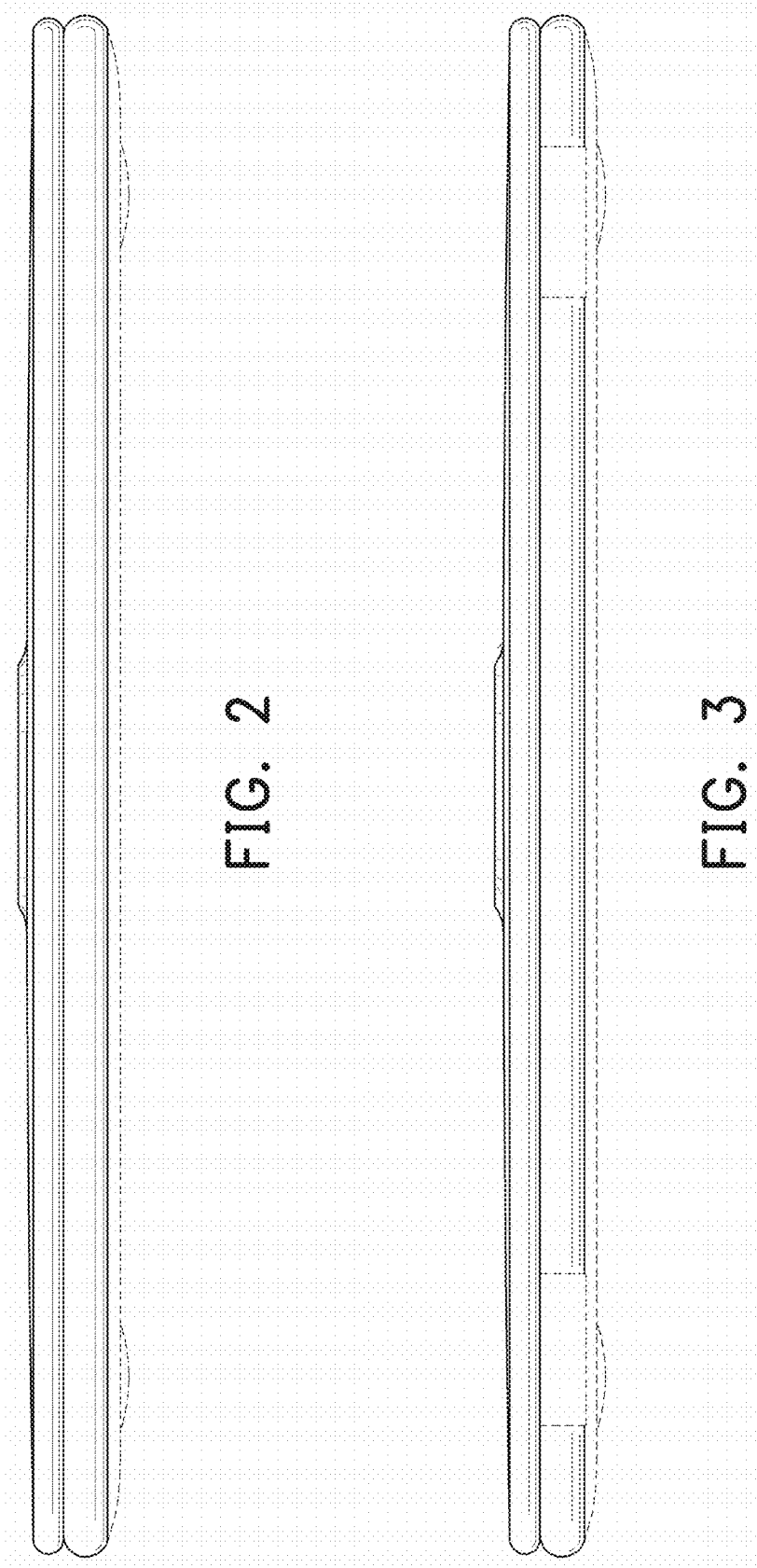


FIG. 1



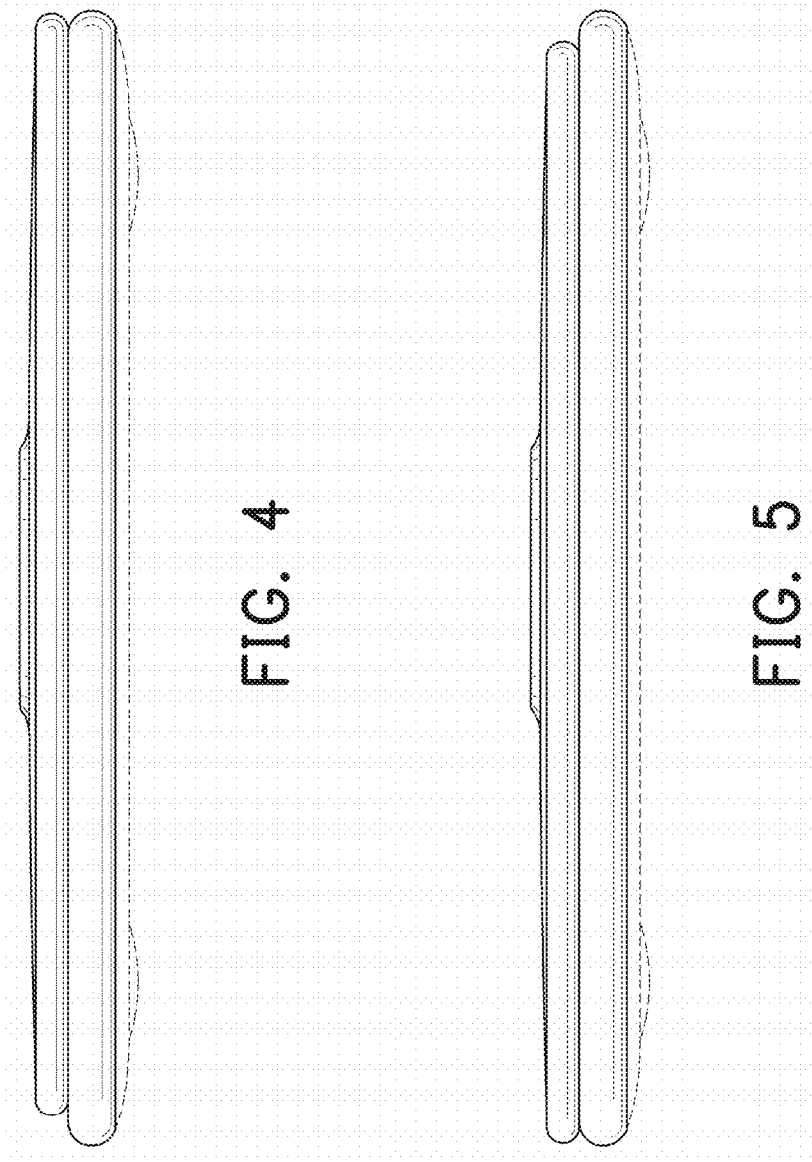


FIG. 4

FIG. 5

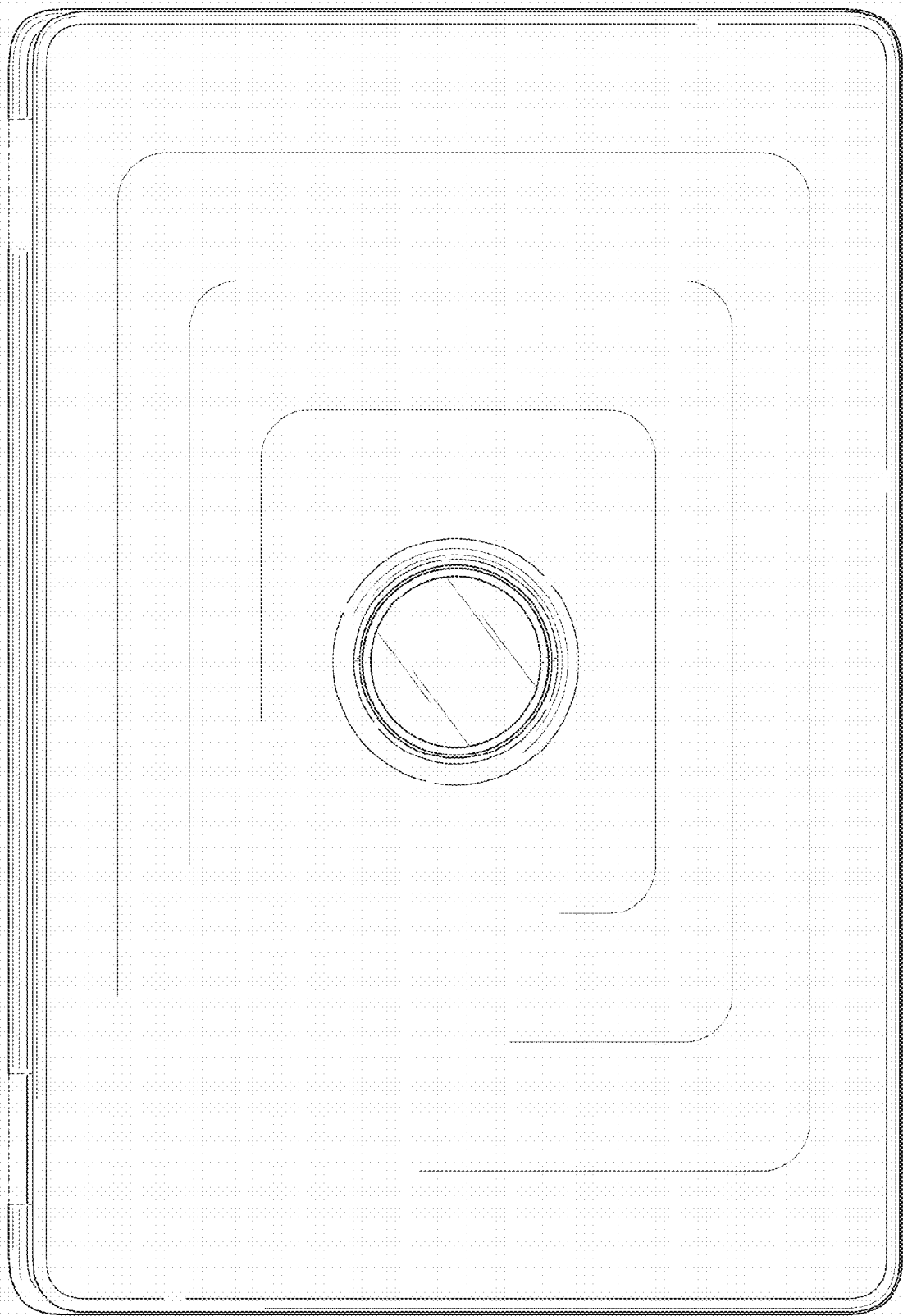


FIG. 6

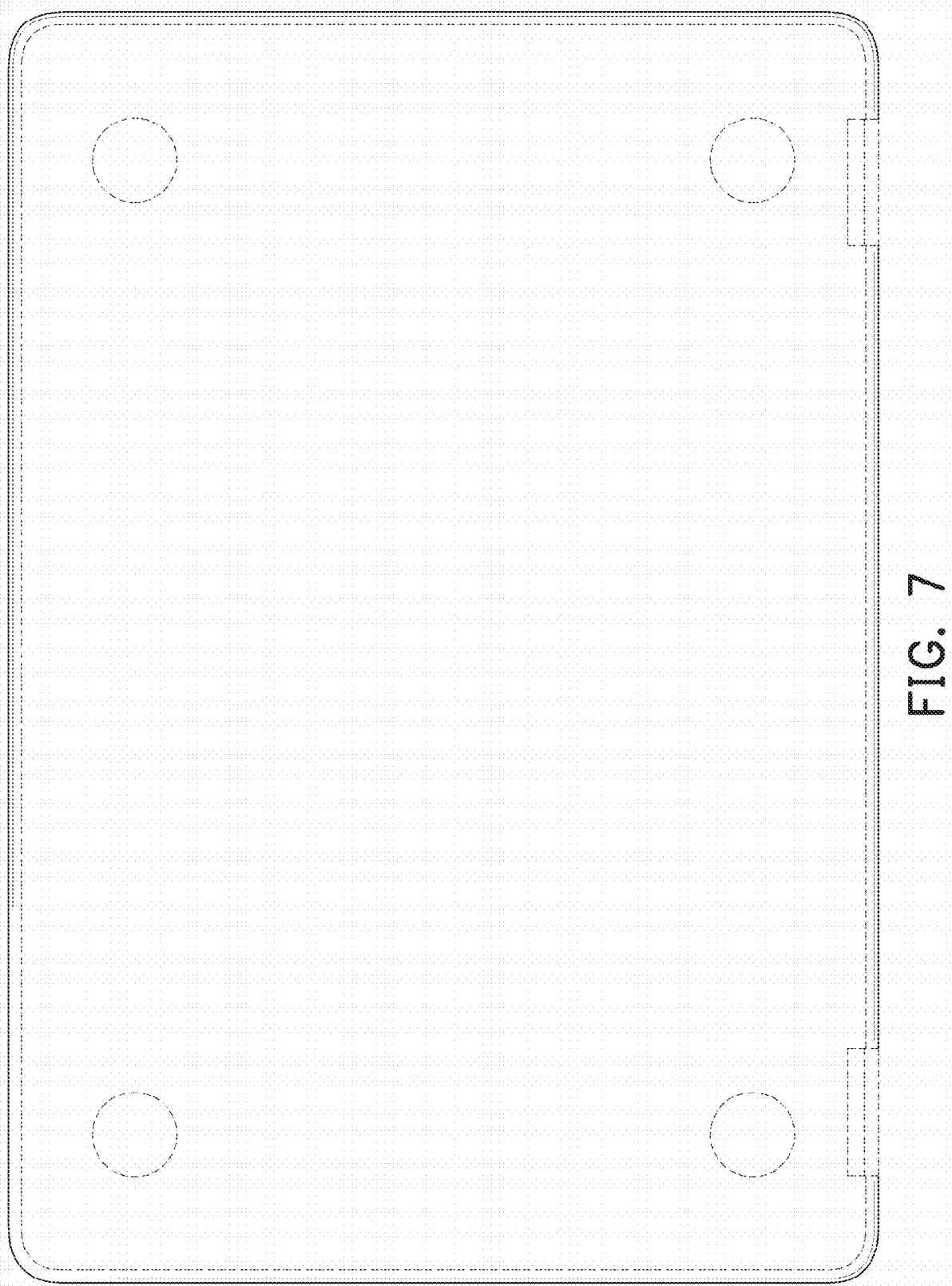


FIG. 7

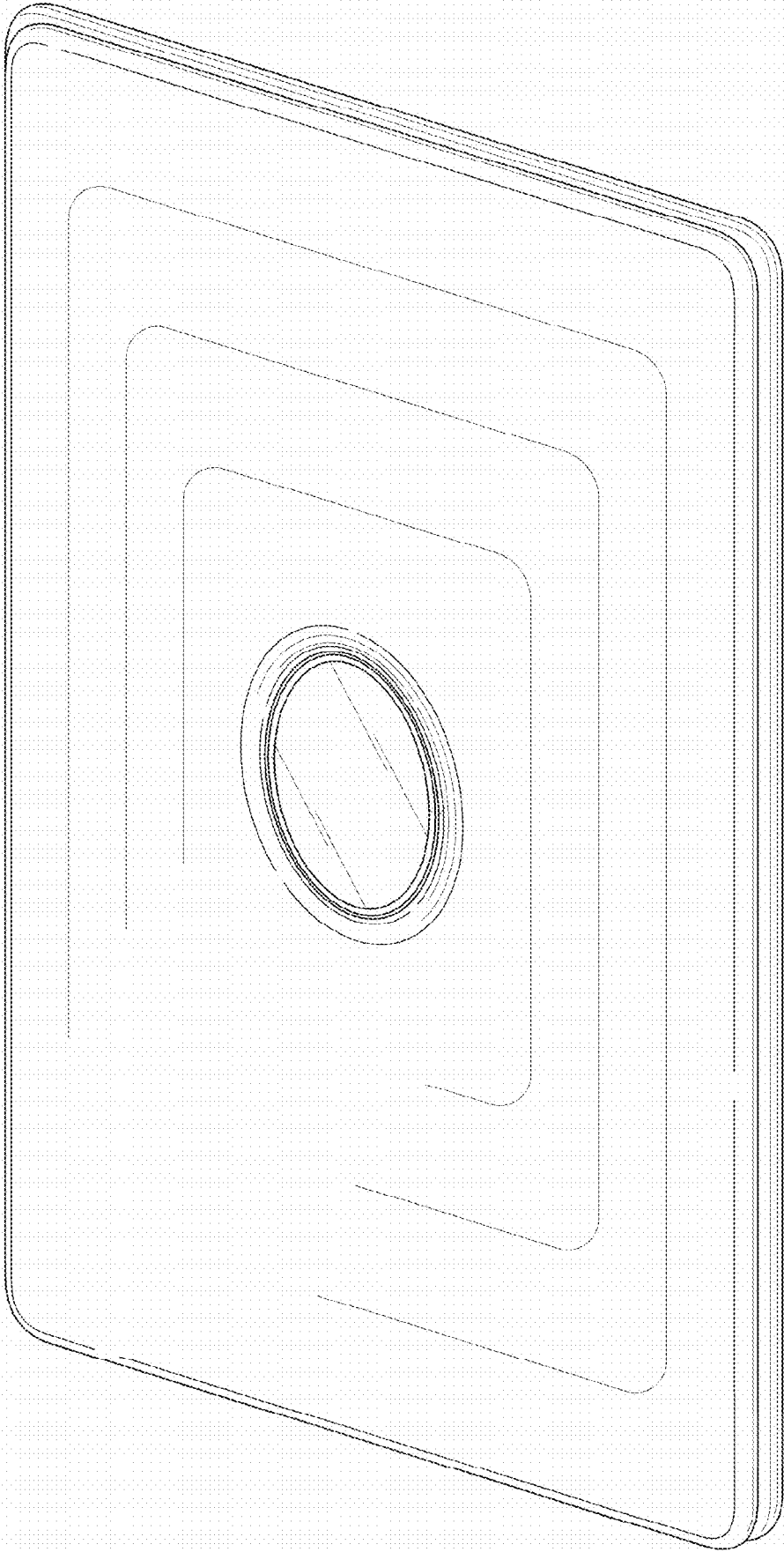


FIG. 8

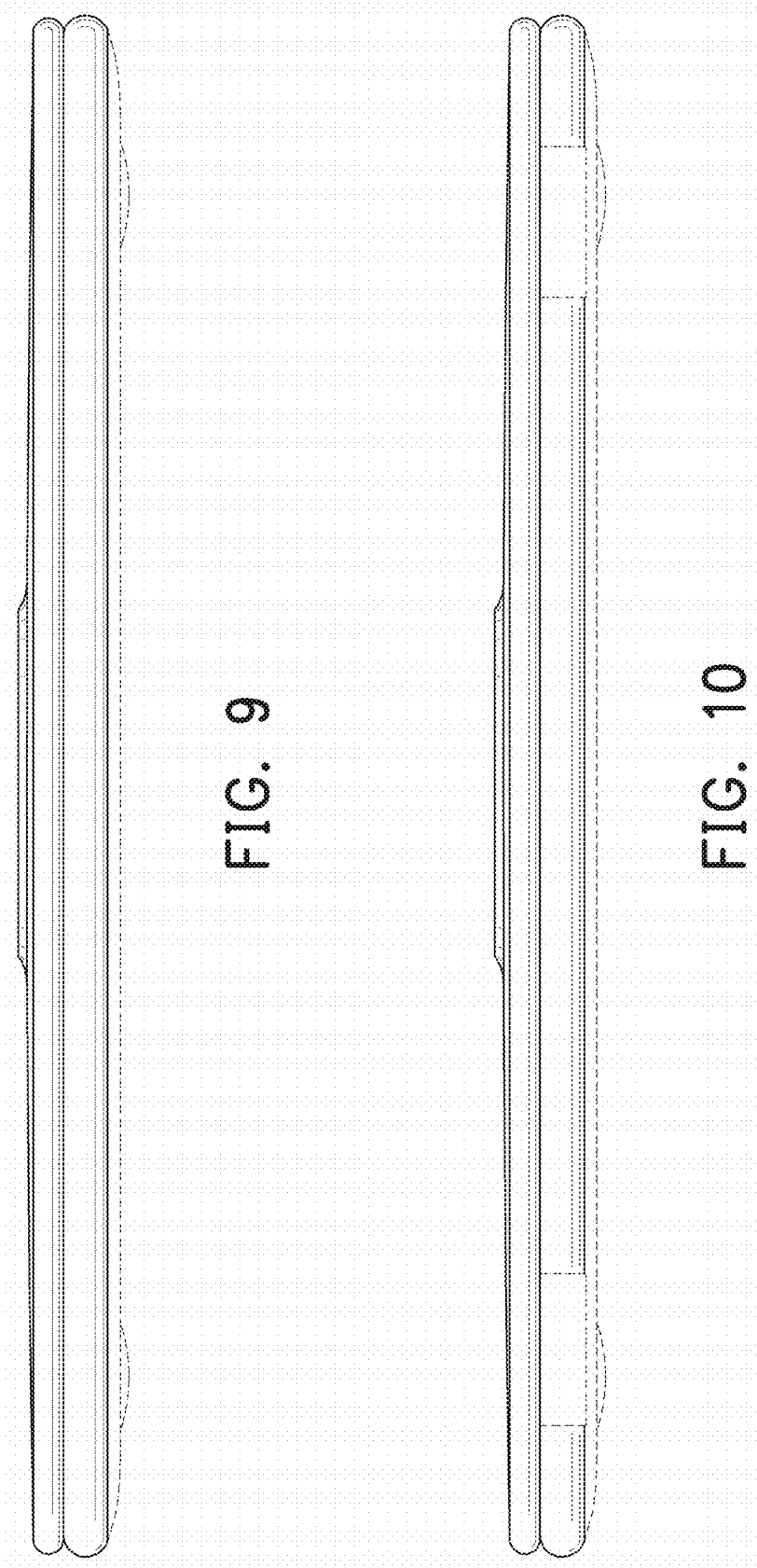


FIG. 9

FIG. 10

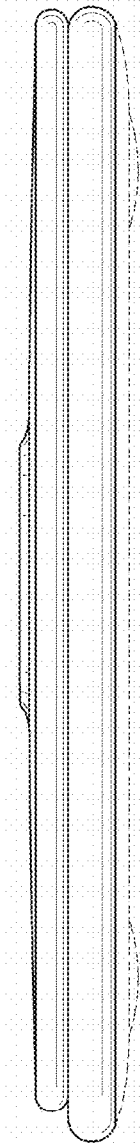


FIG. 11

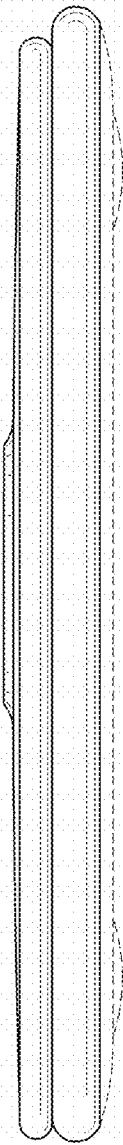


FIG. 12

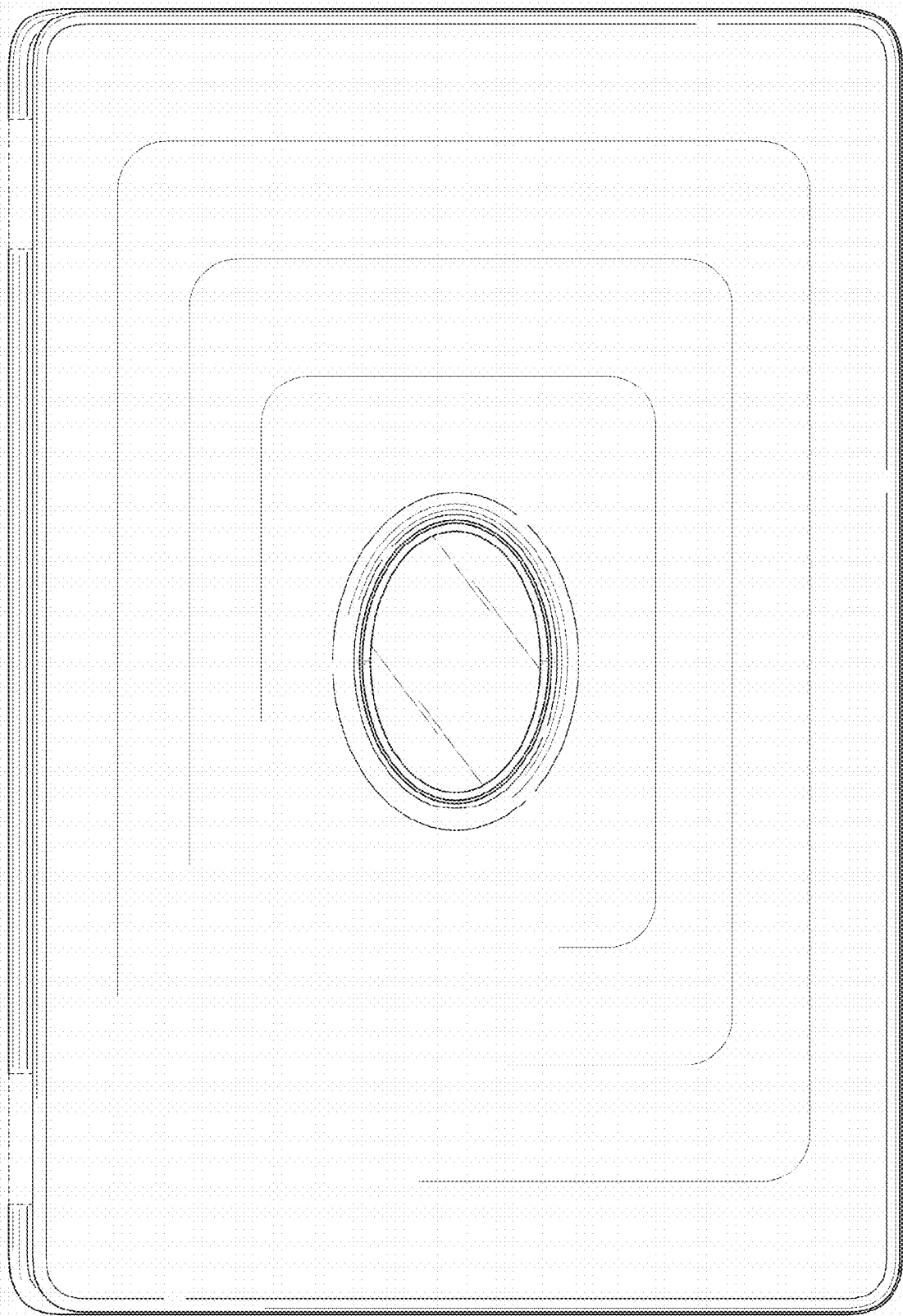


FIG. 13

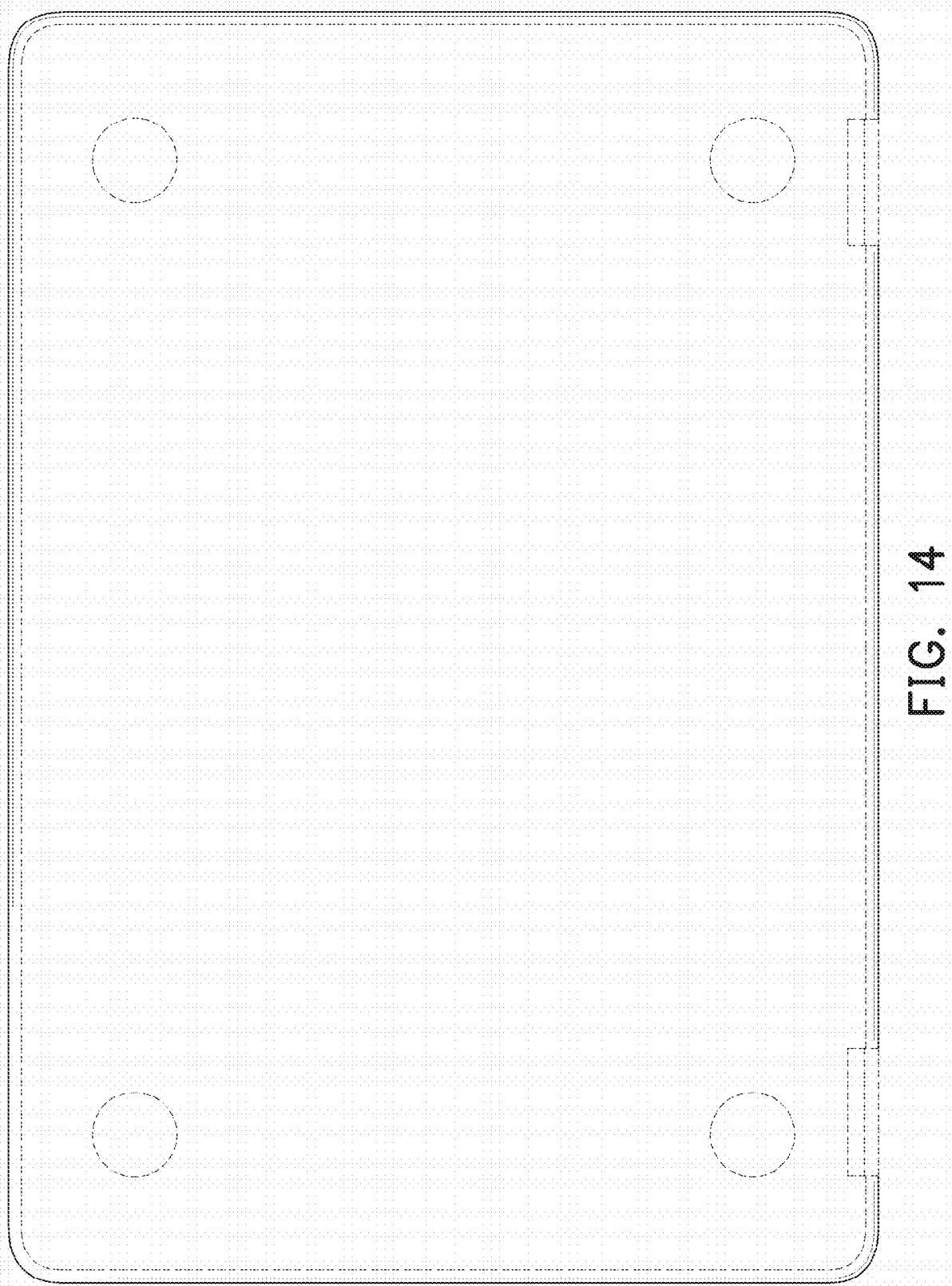


FIG. 14