



US00D774519S

(12) **United States Design Patent**  
**Yuk**

(10) **Patent No.:** **US D774,519 S**

(45) **Date of Patent:** **\*\* Dec. 20, 2016**

(54) **DISPLAY SCREEN OR PORTION THEREOF WITH TRANSITIONAL GRAPHICAL USER INTERFACE**

(71) Applicant: **Samsung Electronics Co., Ltd.**,  
Suwon-si (KR)

(72) Inventor: **Seungju Yuk**, Seoul (KR)

(73) Assignee: **SAMSUNG ELECTRONICS CO., LTD.**, Suown-Si (KR)

(\*\*) Term: **15 Years**

(21) Appl. No.: **29/529,136**

(22) Filed: **Jun. 4, 2015**

(30) **Foreign Application Priority Data**

Feb. 27, 2015 (KR) ..... 30-2015-0010401

(51) **LOC (10) Cl.** ..... **14-04**

(52) **U.S. Cl.**  
USPC ..... **D14/485; D14/491**

(58) **Field of Classification Search**  
USPC ..... D14/485-495

(Continued)

(56) **References Cited**

**U.S. PATENT DOCUMENTS**

D602,027 S \* 10/2009 Queric ..... D14/485  
D645,470 S \* 9/2011 Matas ..... D14/489

(Continued)

**FOREIGN PATENT DOCUMENTS**

DE 402013100322-0001 6/2013  
EM 001097448-0001 4/2009

*Primary Examiner* — Deanna L Pratt

(74) *Attorney, Agent, or Firm* — McAndrews Held & Malloy, Ltd.

(57) **CLAIM**

The ornamental design for a display screen or portion thereof with transitional graphical user interface, as shown and described.

**DESCRIPTION**

FIG. 1 is the first image in a sequence for a display screen or portion thereof with transitional graphical user interface showing my new design;

FIG. 2 is the second image thereof;

FIG. 3 is the third image thereof;

FIG. 4 is the fourth image thereof;

FIG. 5 is the fifth image thereof;

FIG. 6 is the sixth image thereof;

FIG. 7 is the seventh image thereof;

FIG. 8 is the eighth image thereof;

FIG. 9 is the ninth image thereof;

FIG. 10 is the tenth image thereof;

FIG. 11 is the eleventh image thereof;

FIG. 12 is the twelfth image thereof;

FIG. 13 is the thirteenth image thereof;

FIG. 14 is the fourteenth image thereof;

FIG. 15 is the fifteenth image thereof;

FIG. 16 is the sixteenth image thereof;

FIG. 17 is the seventeenth image thereof;

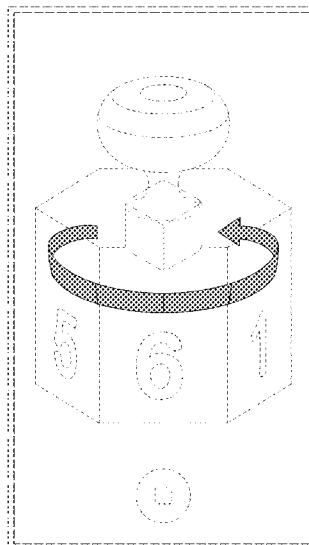
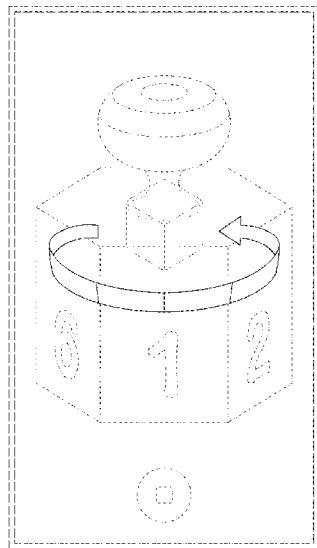
FIG. 18 is the eighteenth image thereof; and,

FIG. 19 is the nineteenth image thereof.

The broken lines around the figures show a display screen or portion thereof and the broken lines within the figures show unclaimed portions of the graphical user interface; the broken lines form no part of the claimed design.

The appearance of the transitional image sequentially transitions between the images shown in FIGS. 1-19. The process or period in which one image transitions to another image forms no part of the claimed design.

**1 Claim, 19 Drawing Sheets**



(58) **Field of Classification Search**

CPC .. G06F 3/0481; G06F 3/0482; G06F 3/04817;  
 G06F 3/04883; G06F 3/04815; G06F  
 3/0485; G06F 3/04886

See application file for complete search history.

(56)

**References Cited**

U.S. PATENT DOCUMENTS

D667,432	S	*	9/2012	Phelan	.....	D14/491
D669,497	S	*	10/2012	Lee	.....	D14/489
D676,060	S	*	2/2013	Frost	.....	D14/490
D676,458	S	*	2/2013	Chaudhri	.....	D14/489
D676,868	S	*	2/2013	Wagner	.....	D14/489
D687,460	S	*	8/2013	Tyler	.....	D14/489
D690,717	S	*	10/2013	Thomsen	.....	D14/485
D690,718	S	*	10/2013	Thomsen	.....	D14/485
D690,719	S	*	10/2013	Thomsen	.....	D14/485
D690,737	S	*	10/2013	Wen	.....	D14/489
D697,518	S	*	1/2014	Thomsen	.....	D14/485
D697,519	S	*	1/2014	Thomsen	.....	D14/485
D721,731	S	*	1/2015	Jon	.....	D14/491
D730,402	S	*	5/2015	Kang	.....	D14/491
D730,937	S	*	6/2015	Kim	.....	D14/492
D738,244	S	*	9/2015	Shallice	.....	D10/81
D738,924	S	*	9/2015	Torres	.....	D14/495
D739,872	S	*	9/2015	Bang	.....	D14/488
D747,731	S	*	1/2016	Oliveira	.....	D14/486
D758,404	S	*	6/2016	Lindgren	.....	D14/486
D761,857	S	*	7/2016	Mariet	.....	D14/491
D762,225	S	*	7/2016	Cao	.....	D14/485
2011/0161811	A1	*	6/2011	Choi	.....	G11B 19/025 715/702
2011/0296353	A1	*	12/2011	Ahmed	.....	G06F 3/017 715/848

\* cited by examiner

FIG. 1

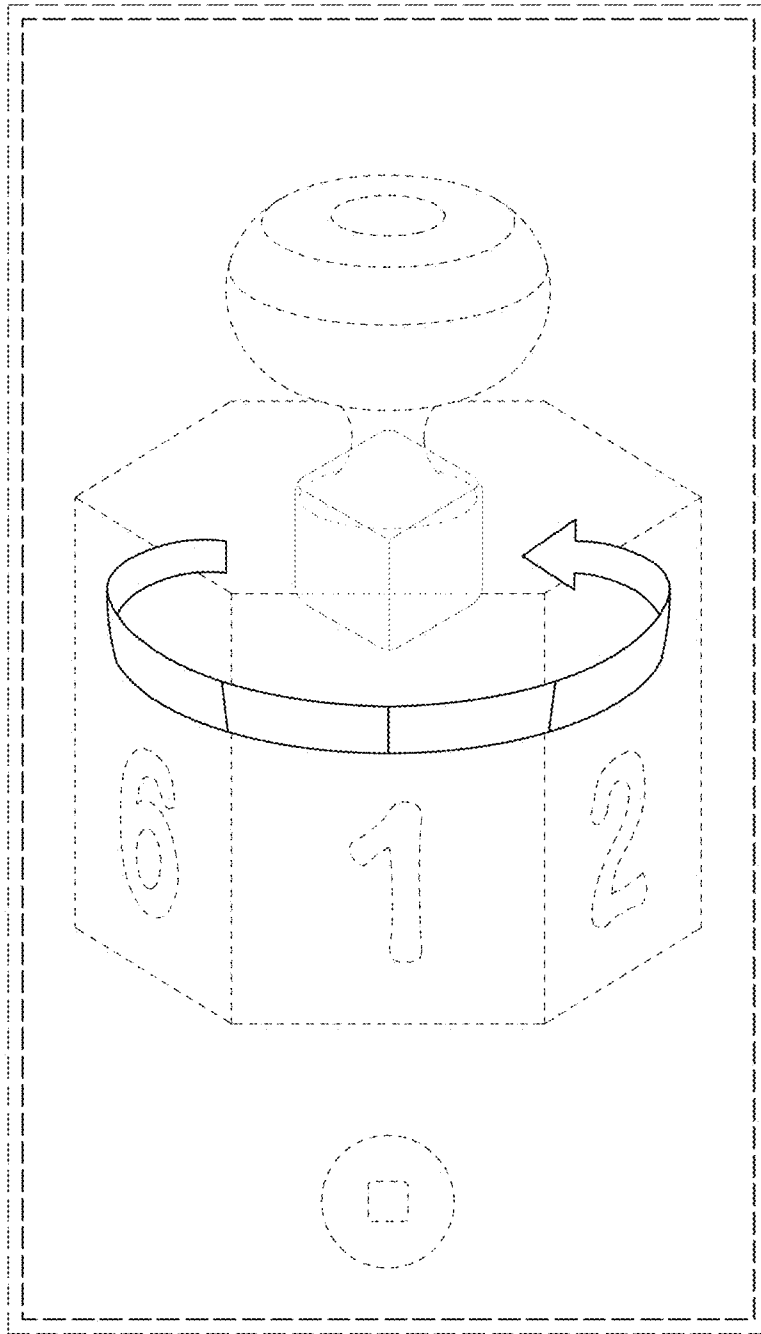


FIG. 2

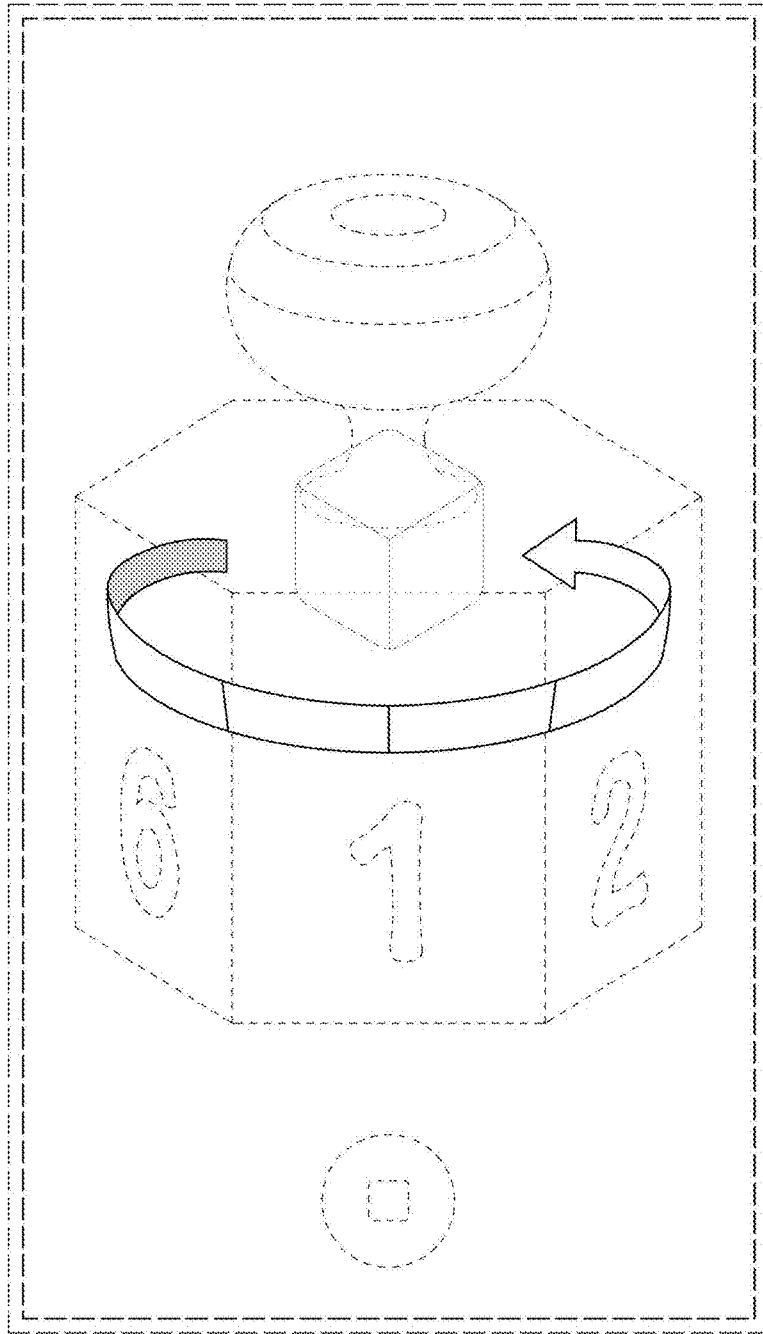


FIG. 3

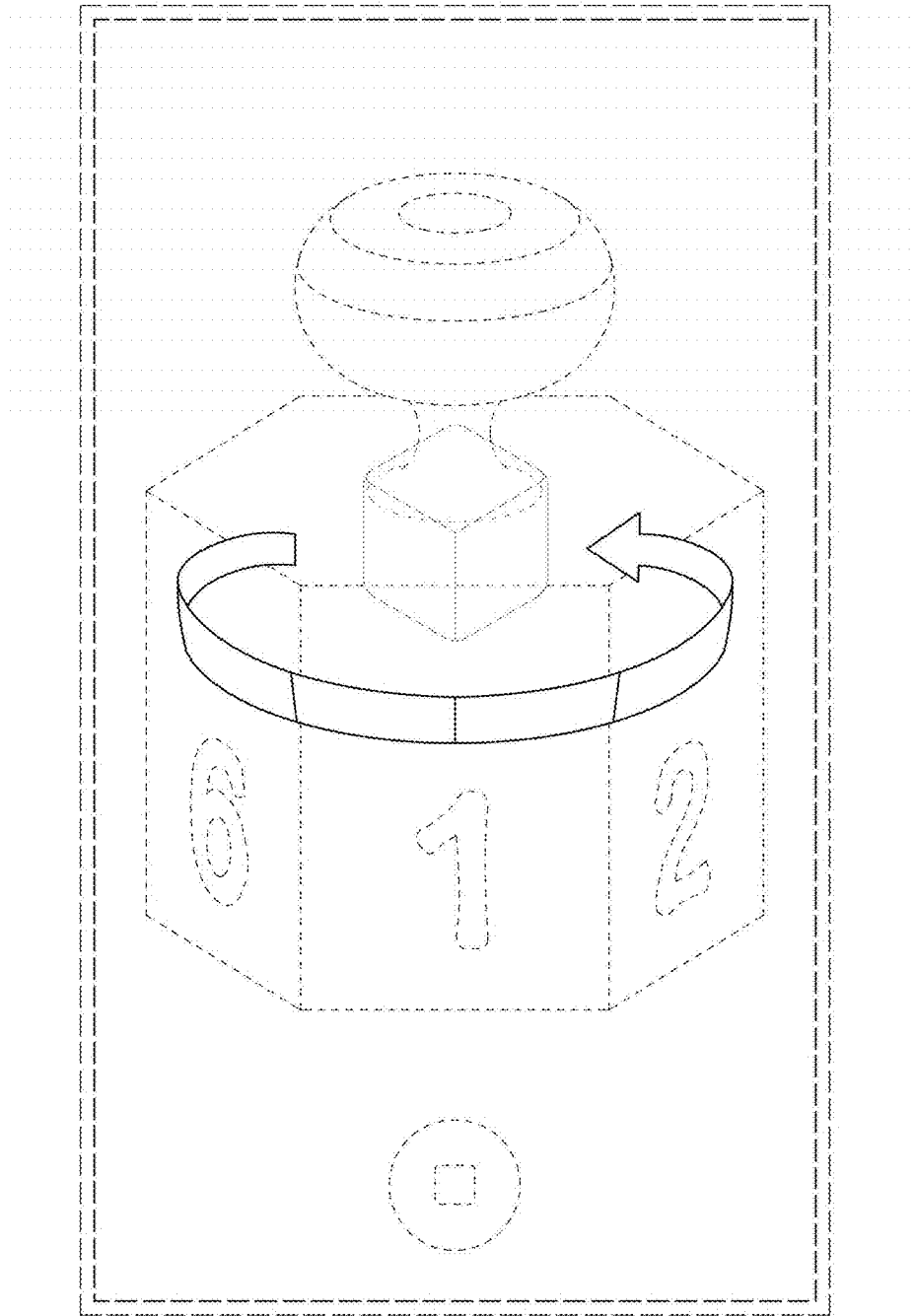


FIG. 4

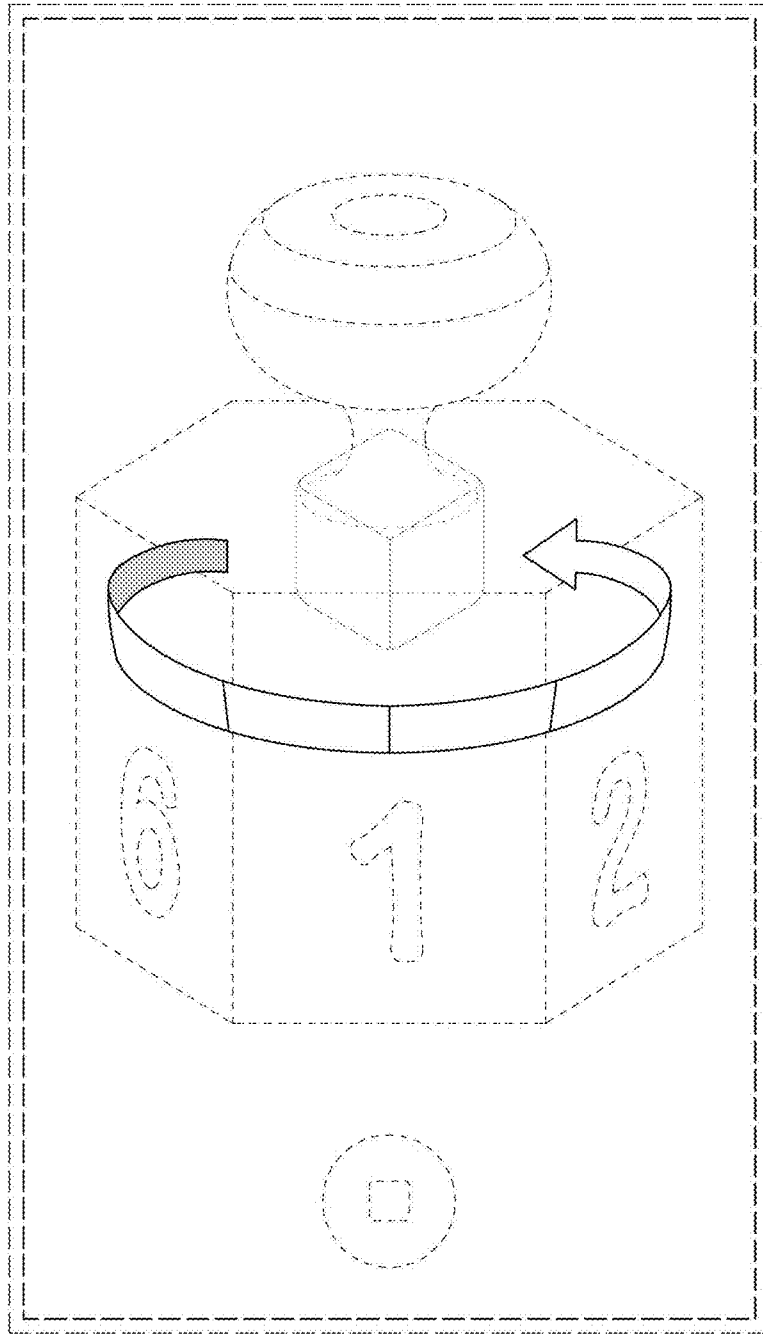


FIG. 5

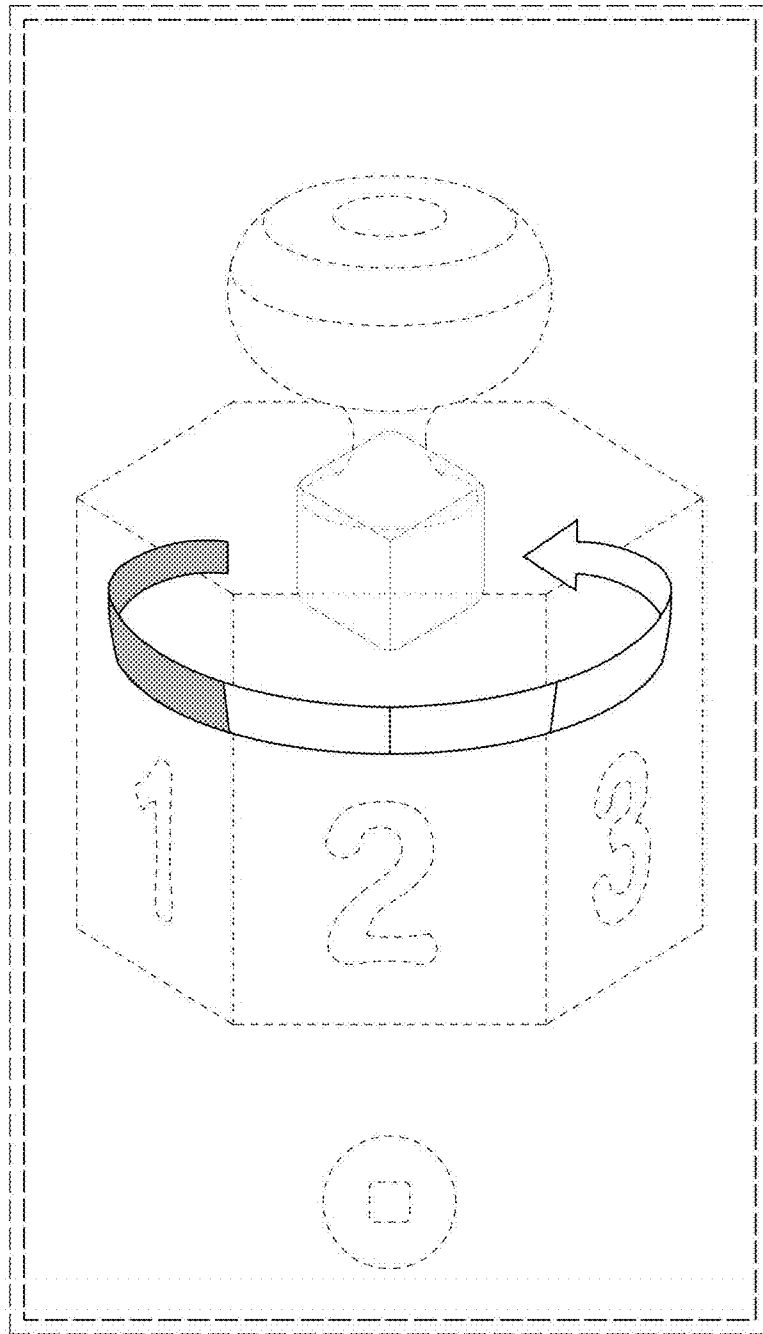


FIG. 6

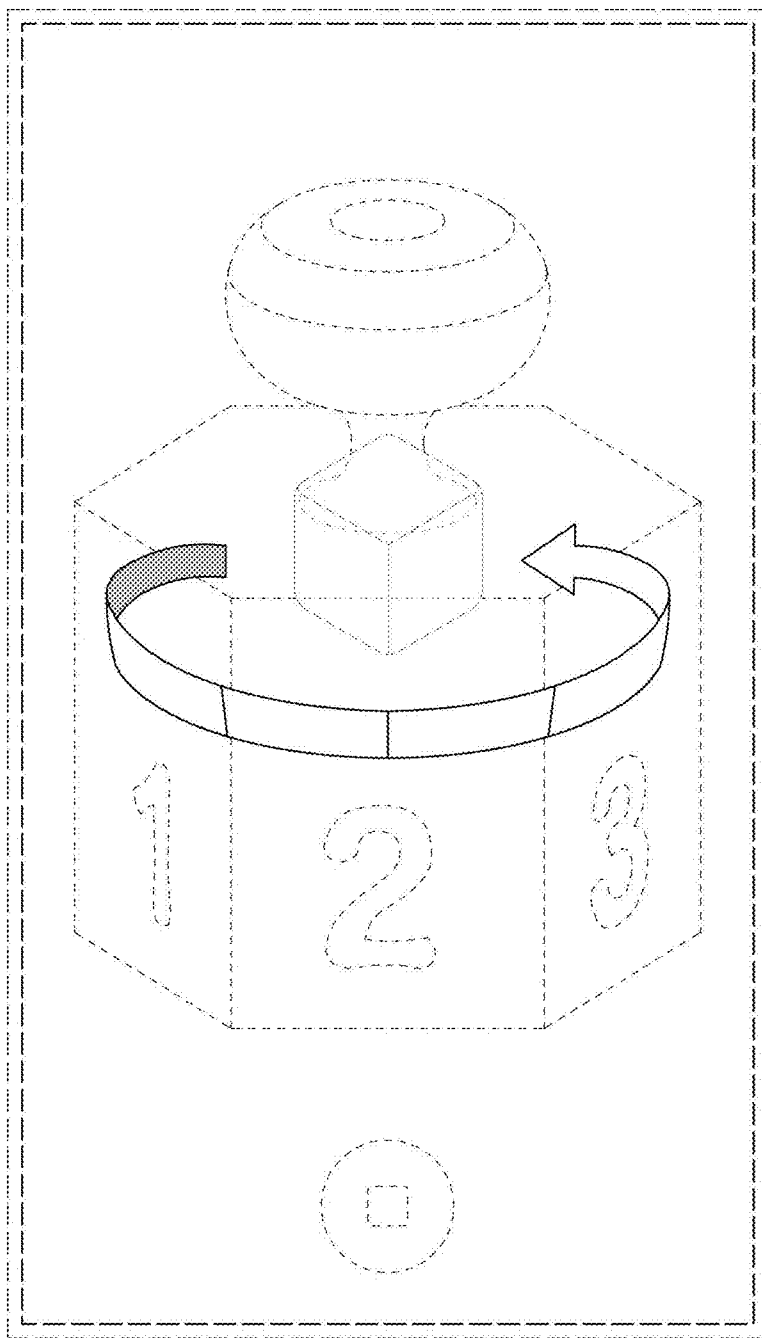




FIG. 7

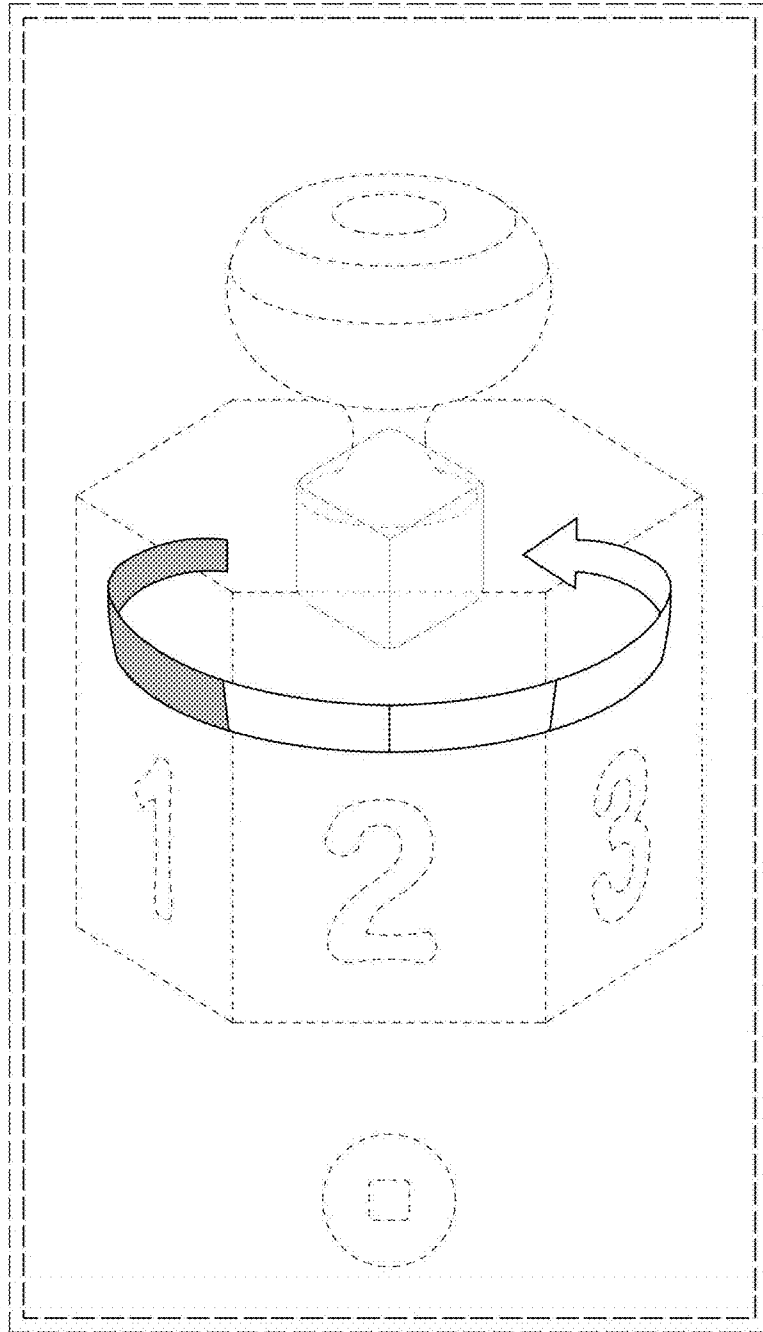


FIG. 8

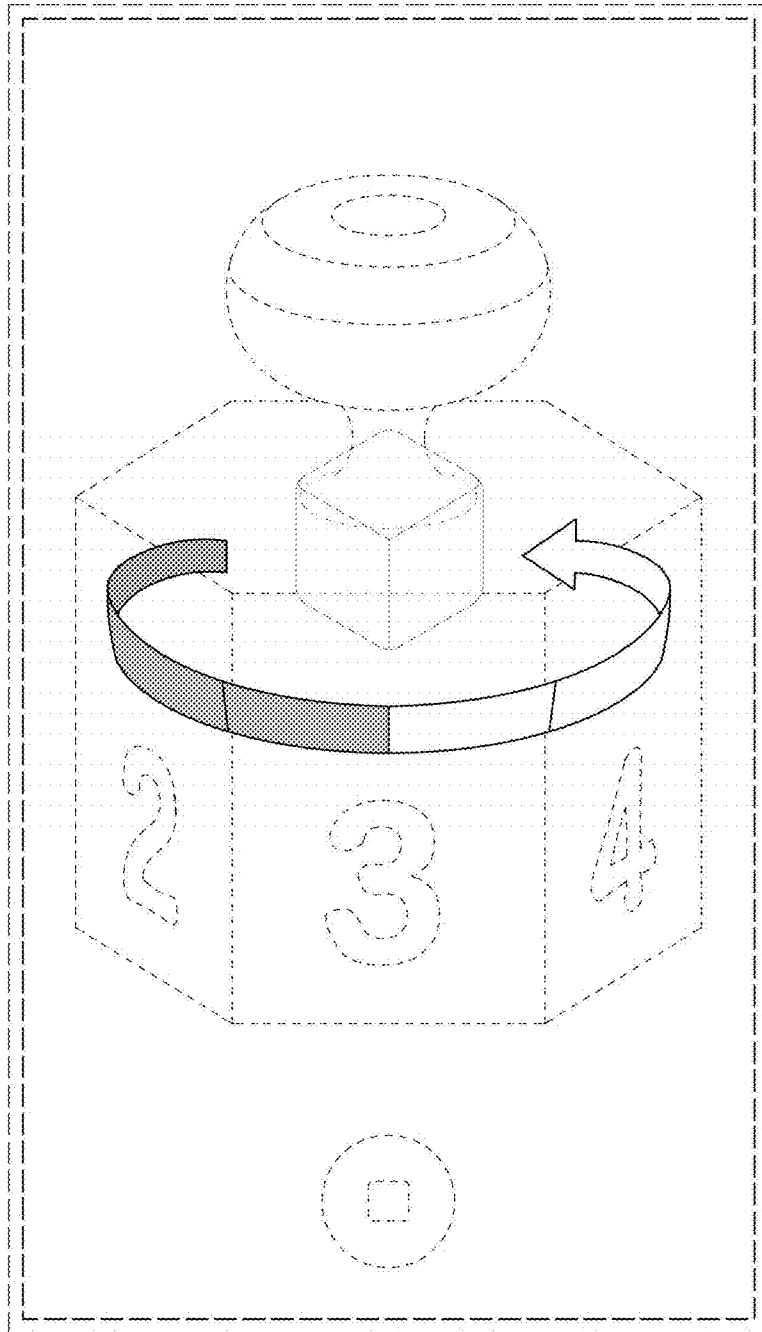


FIG. 9

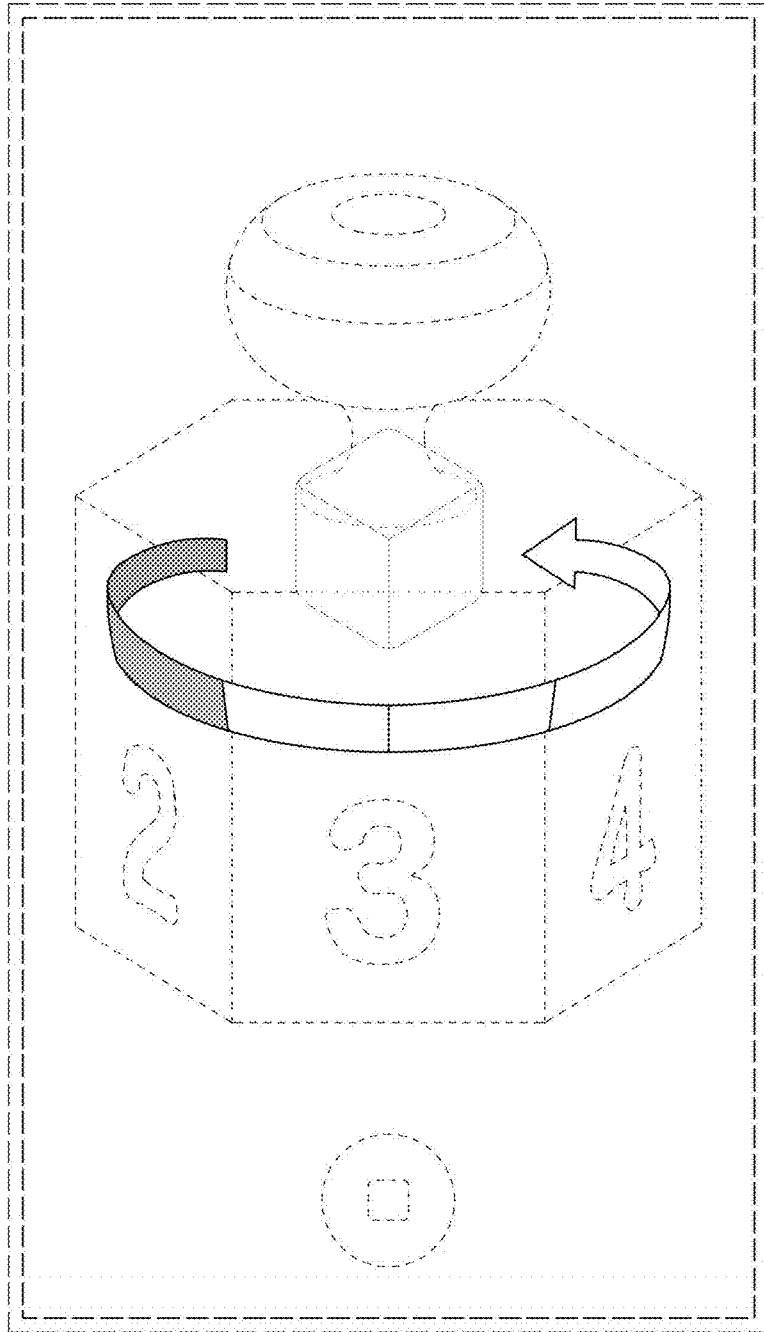


FIG. 10

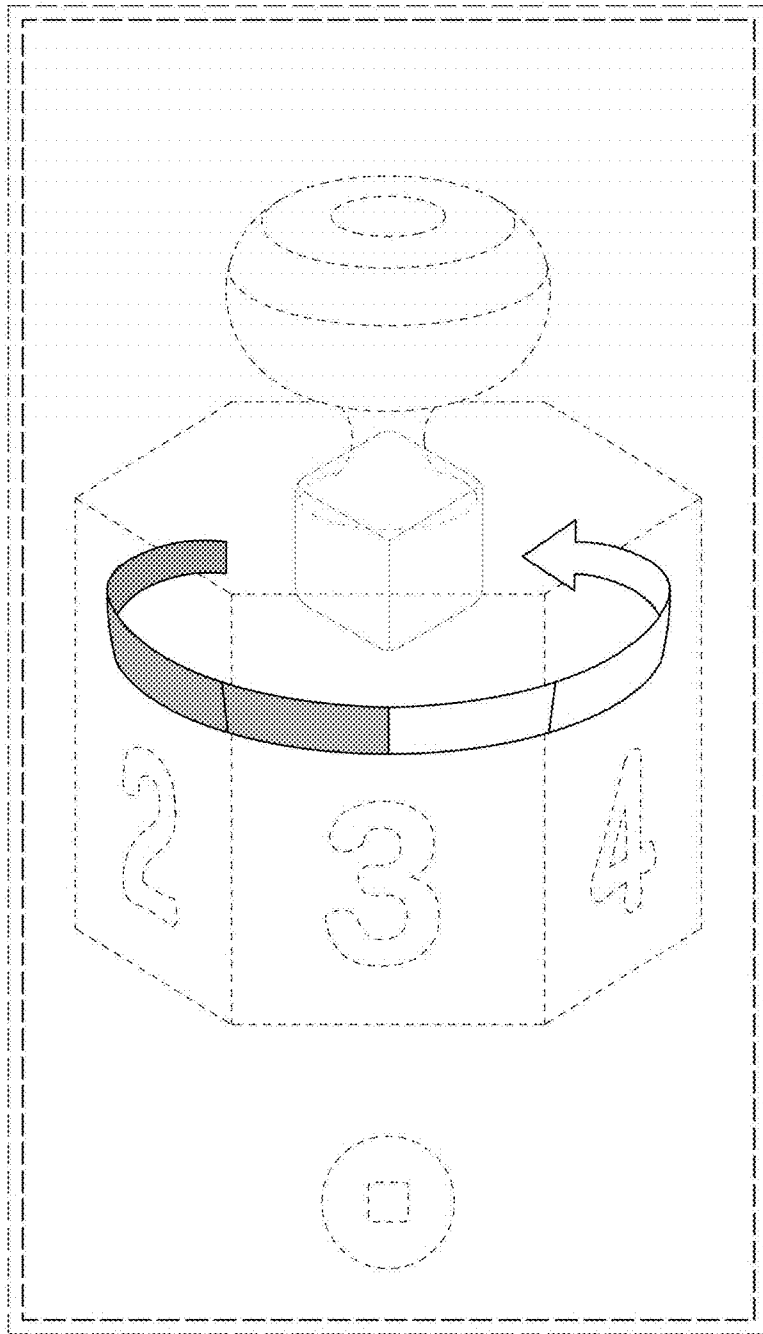


FIG. 11

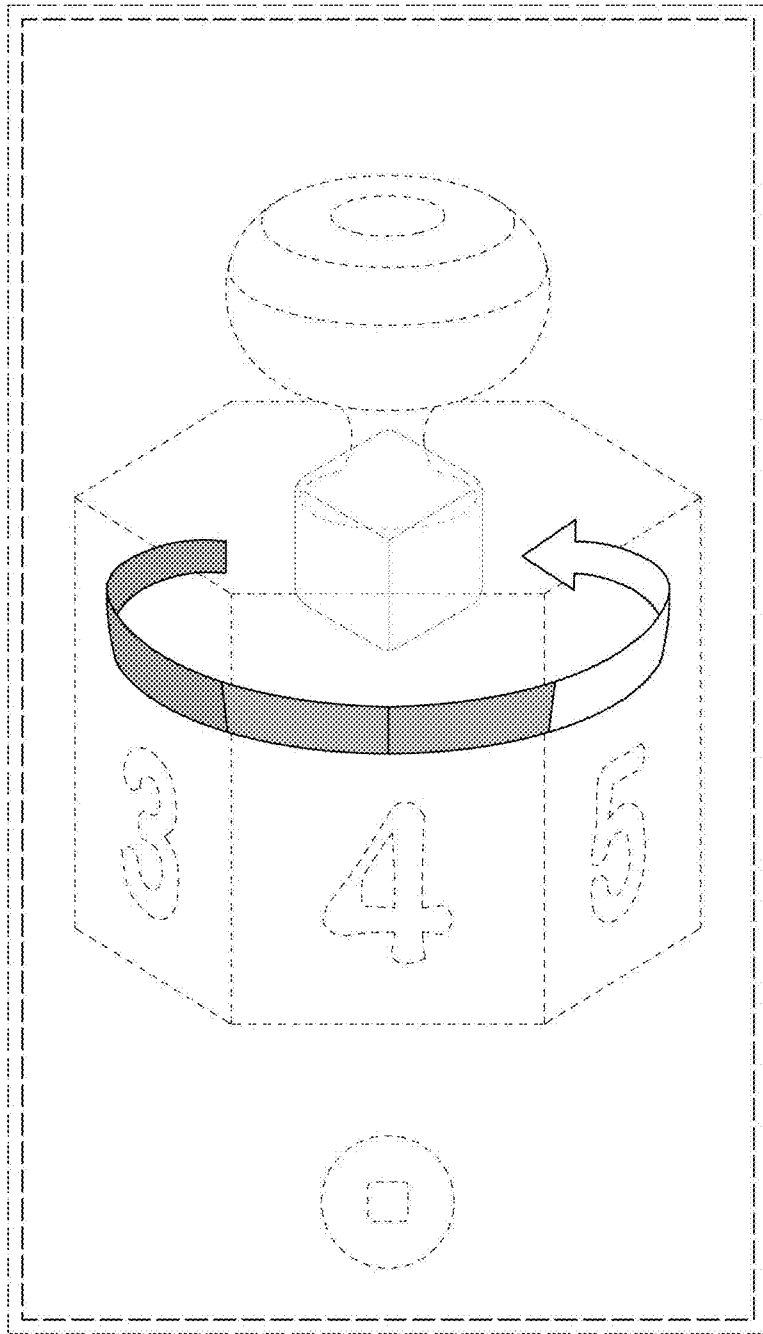


FIG. 12

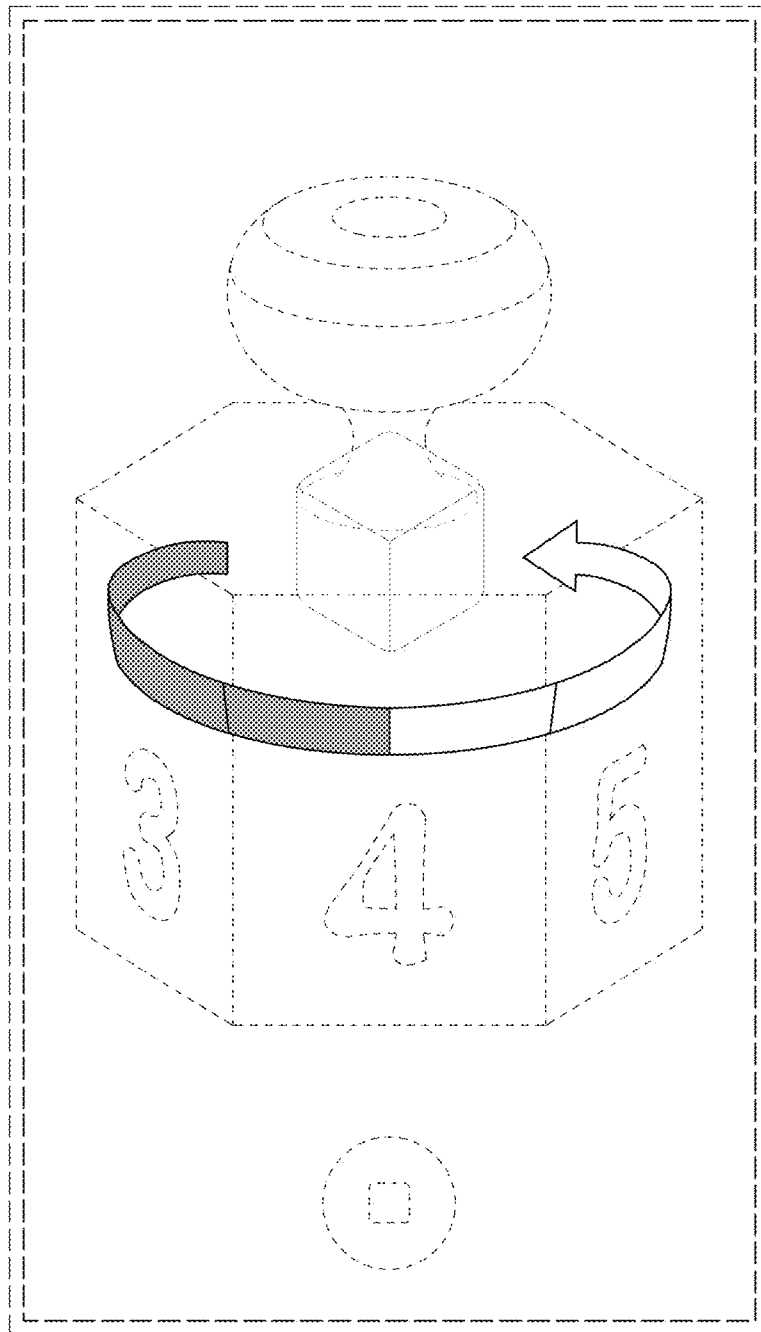


FIG. 13

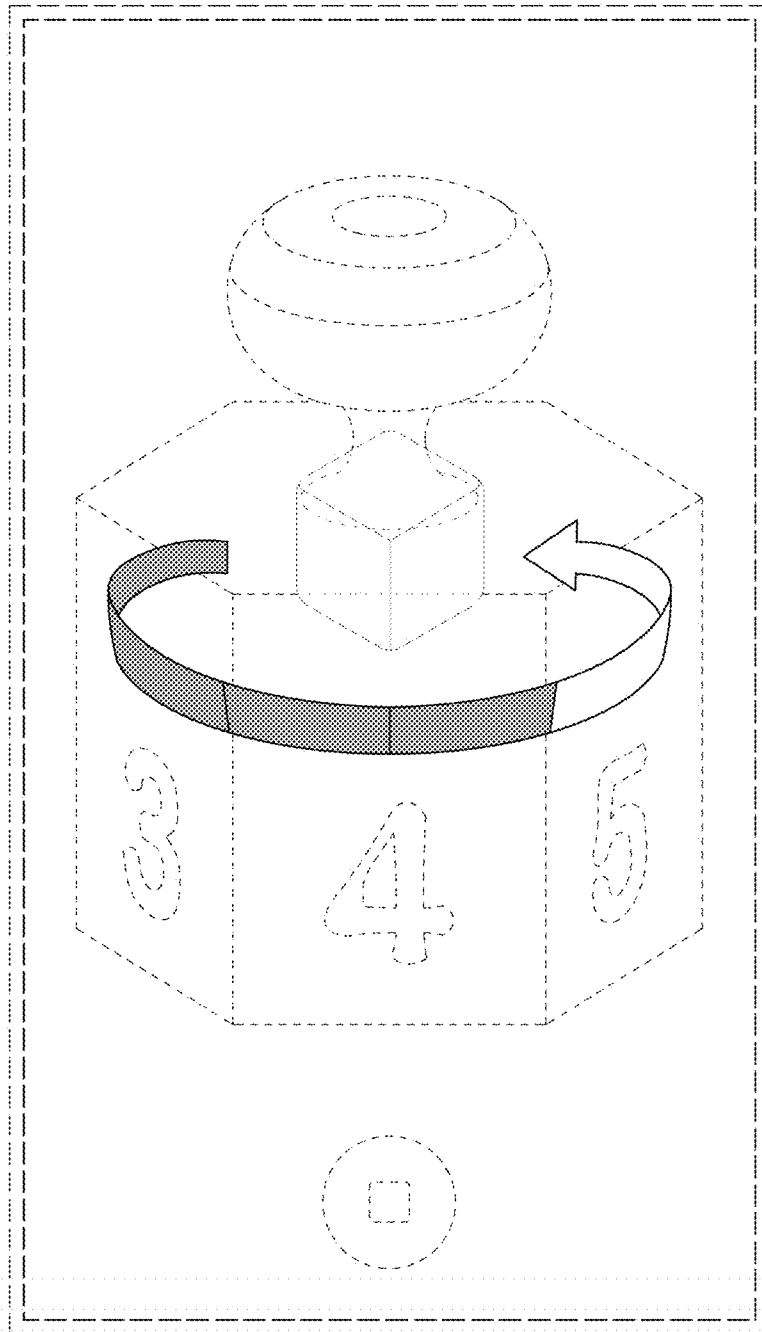


FIG. 14

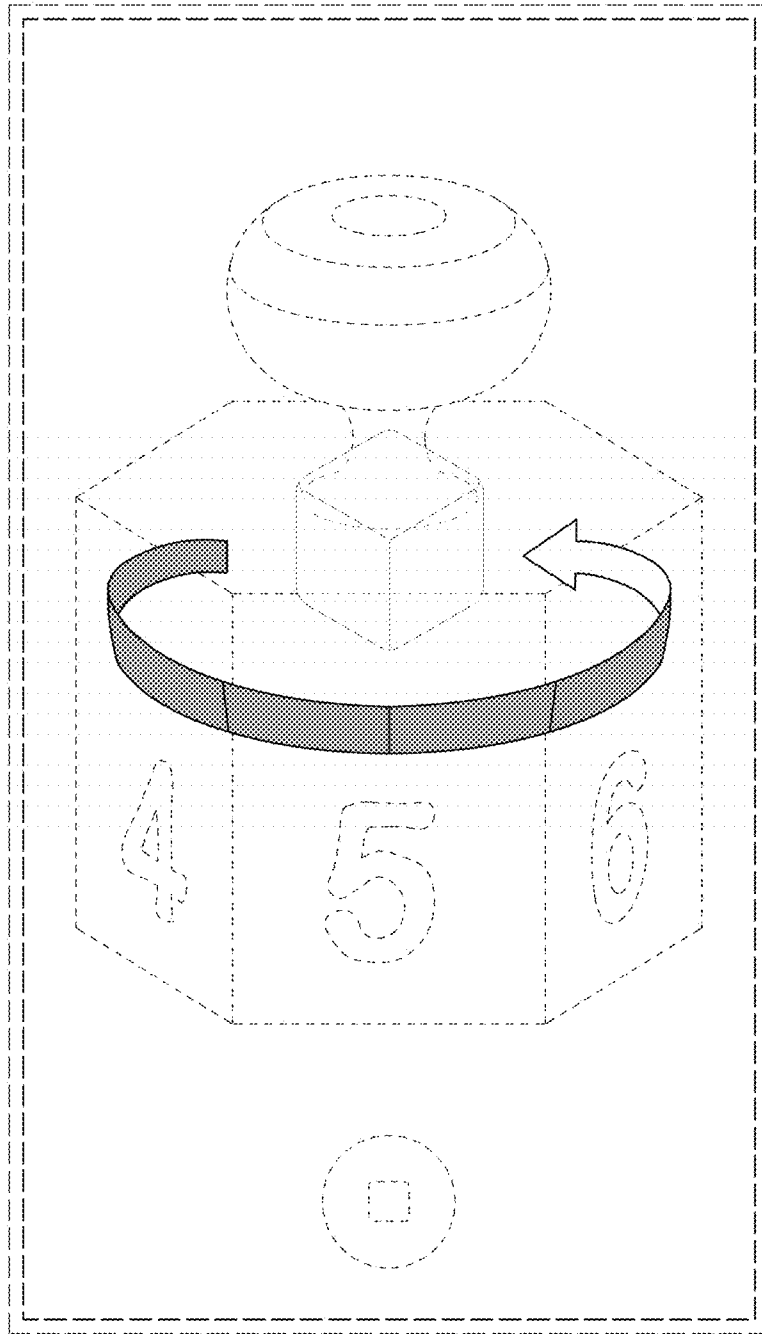




FIG. 15

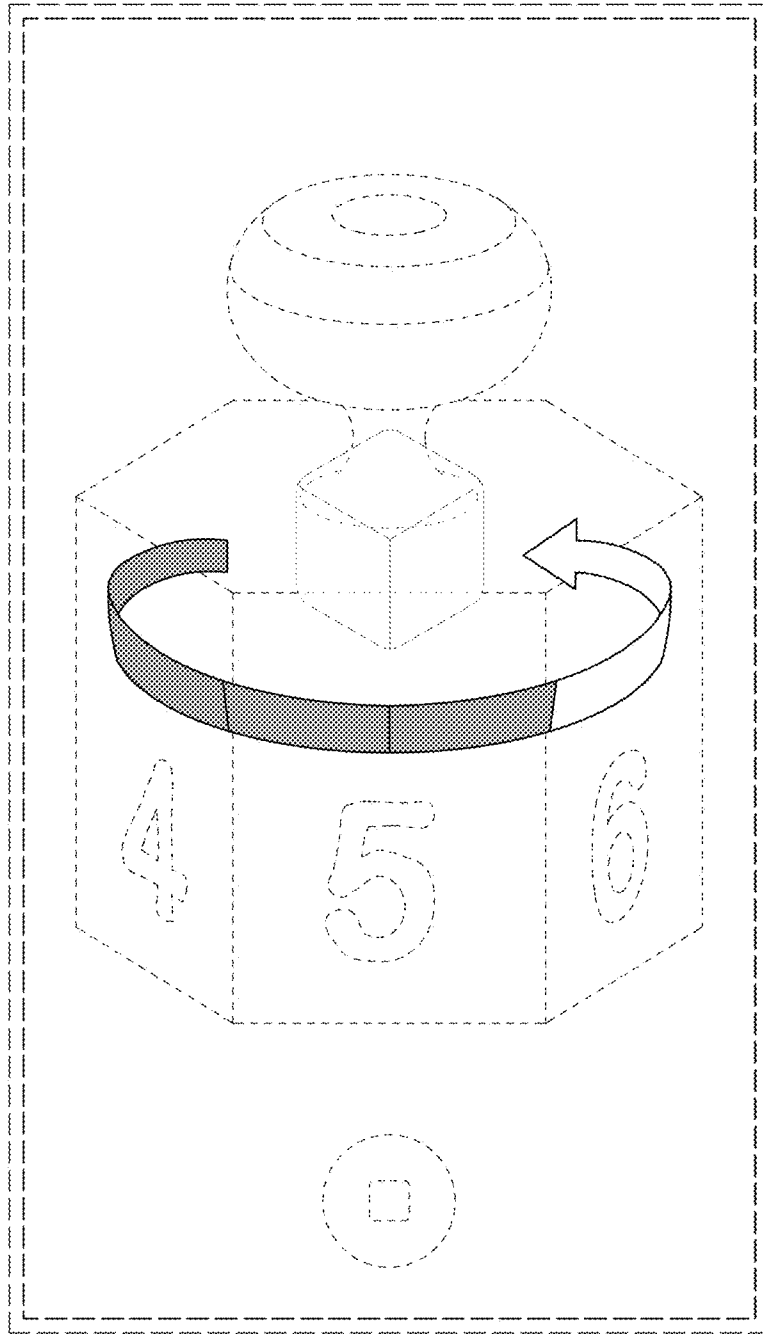


FIG. 16

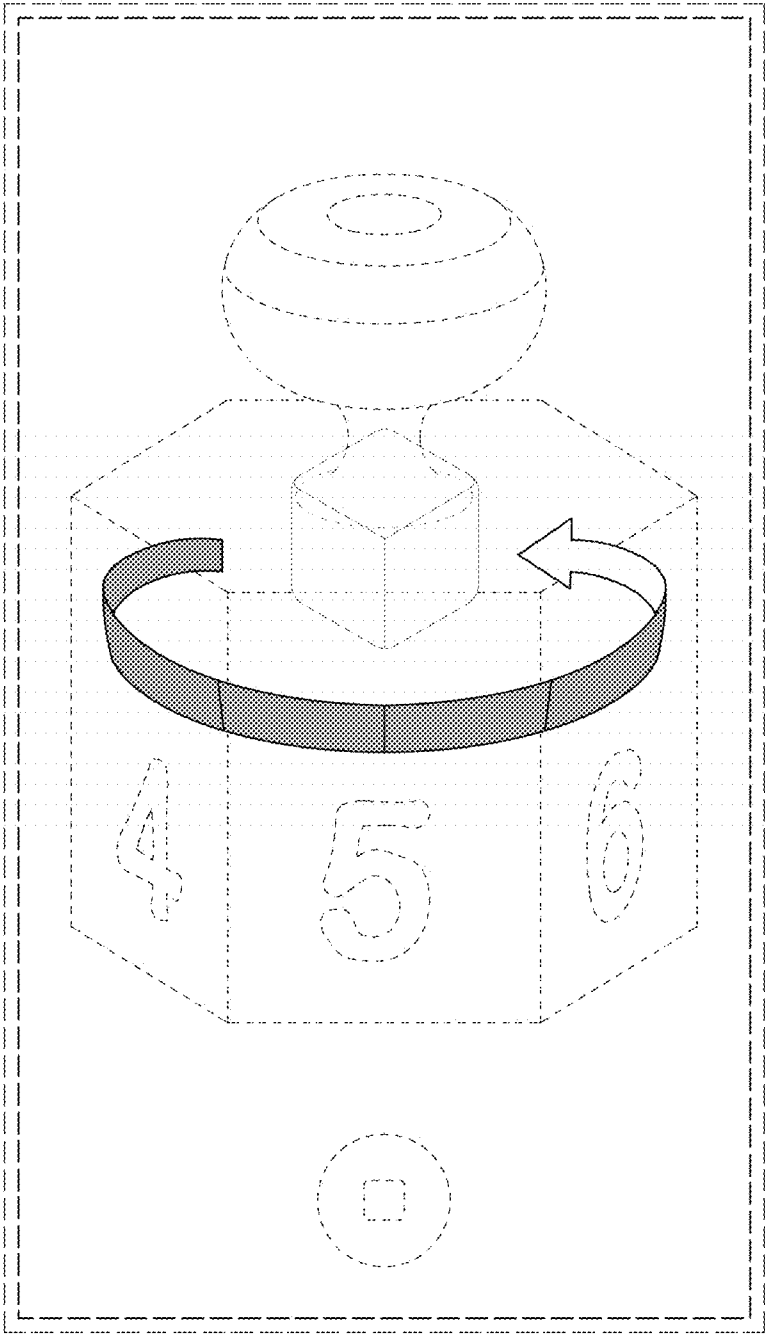


FIG. 17

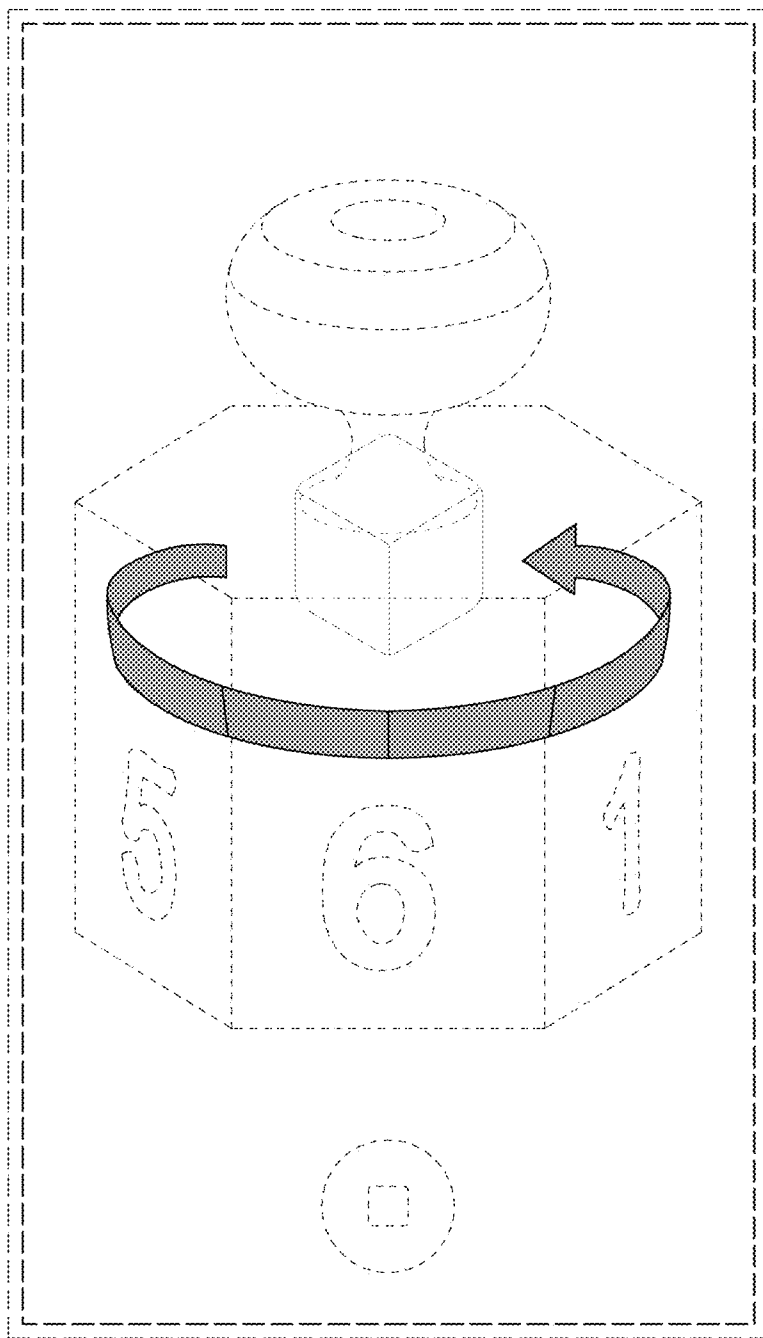


FIG. 18

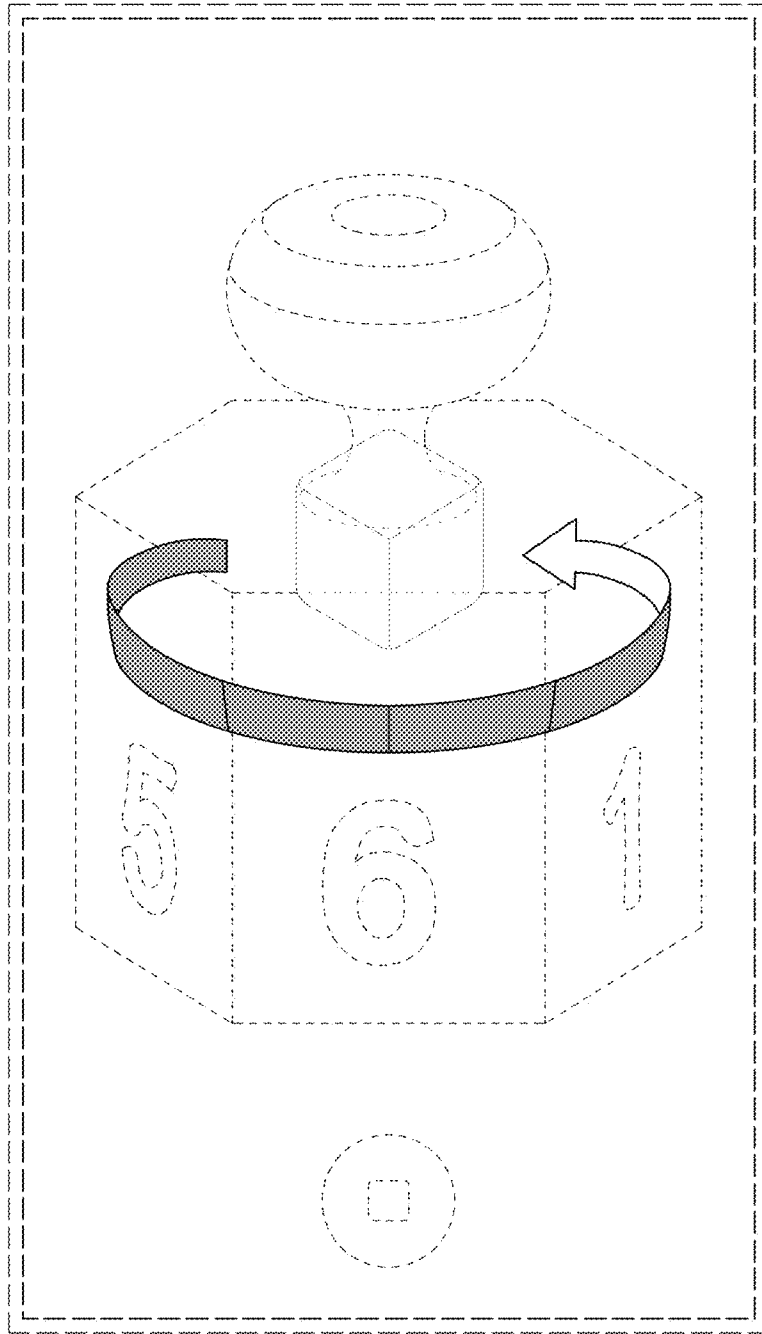


FIG. 19

