



US00D787650S

(12) **United States Design Patent**
Erickson

(10) **Patent No.:** **US D787,650 S**

(45) **Date of Patent:** **** May 23, 2017**

(54) **CONNECTOR**

(71) Applicant: **Scholle Corporation**, Northlake, IL (US)

(72) Inventor: **Kyle Erickson**, Chicago, IL (US)

(73) Assignee: **Scholle IPN Corporation**, NorthLake, IL (US)

(**) Term: **15 Years**

(21) Appl. No.: **29/538,815**

(22) Filed: **Sep. 8, 2015**

(51) **LOC (10) Cl.** **23-01**

(52) **U.S. Cl.**
USPC **D23/262**

(58) **Field of Classification Search**

USPC D23/259-265, 268-269; D24/129;
141/346-351, 383-385; 251/149.1,
251/149.6; D9/435-437; 285/12, 34-35,
285/89, 40, 5

CPC B67D 3/02; B67D 3/045; B67D 1/0082;
B65D 47/123; F16L 29/02; F16L 29/04;
F16L 37/12; F16L 37/0841

See application file for complete search history.

(56) **References Cited**

U.S. PATENT DOCUMENTS

D44,178 S *	6/1913	McMurtrie	D23/262
D262,940 S *	2/1982	Spinner	D8/397
4,564,132 A *	1/1986	Lloyd-Davies	B65D 77/067 137/614.04
D296,581 S *	7/1988	Hattori	D23/262
5,031,662 A *	7/1991	Roethel	F16L 29/04 137/614.03
5,095,962 A *	3/1992	Lloyd-Davies	B67D 3/045 141/114
5,983,964 A *	11/1999	Zielinski	F16L 29/00 137/614.04

D435,652 S *	12/2000	Nazarifar	D23/262
6,779,556 B2 *	8/2004	Roethel	F16L 29/04 137/614.03
6,953,070 B1 *	10/2005	Labinski	B67D 3/02 137/614.03
D569,955 S *	5/2008	Chen	D23/262
D582,763 S *	12/2008	Riedel	D8/397
D607,090 S *	12/2009	Johnson	D23/262
D613,827 S *	4/2010	Damaske	D23/259
D618,763 S *	6/2010	Johnson	B67D 1/0082 D23/237
D651,696 S *	1/2012	Giordano	D23/262
D661,785 S *	6/2012	Johnson	D23/262
D661,786 S *	6/2012	Johnson	D23/262
D661,787 S *	6/2012	Johnson	D23/262
D669,558 S *	10/2012	Collin	D23/262
D715,902 S *	10/2014	Malaker	D23/262
D716,916 S *	11/2014	Snow	D23/262
D726,287 S *	4/2015	Steele	D23/262

(Continued)

Primary Examiner — Eric Goodman

Assistant Examiner — Amy Wierenga

(74) *Attorney, Agent, or Firm* — The Watson I.P. Group, PLC; Jovan N. Jovanovic; Vladan M. Vasiljevic

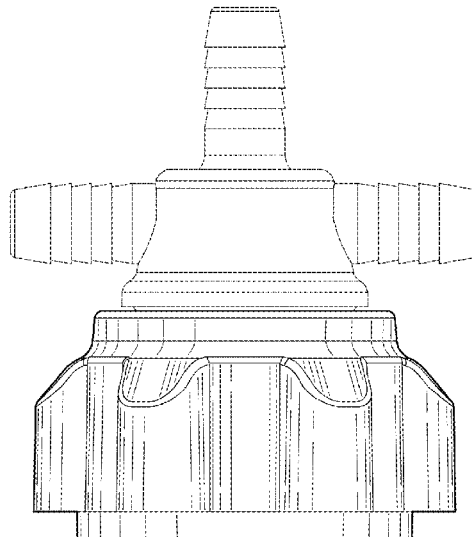
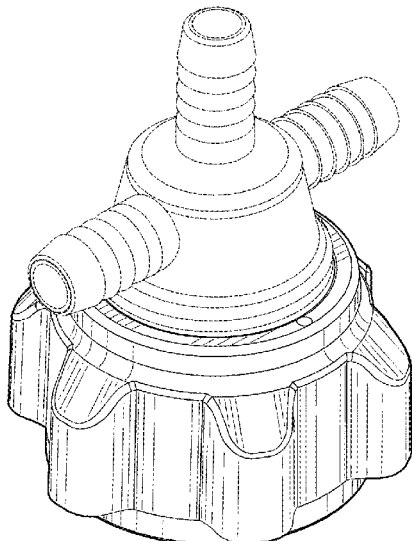
(57) **CLAIM**

The ornamental design for a connector, as shown and described.

DESCRIPTION

FIG. 1 is a top perspective view of the connector; FIG. 2 is a bottom perspective view thereof; FIG. 3 is a front elevational view thereof; FIG. 4 is a back elevational view thereof; FIG. 5 is a first side elevational view thereof; FIG. 6 is a second side elevational view thereof; FIG. 7 is a top plan view thereof; and, FIG. 8 is a bottom plan view thereof. The dashed lines shown in the drawings depict environment only that form no part of the claim.

1 Claim, 4 Drawing Sheets



(56)

References Cited

U.S. PATENT DOCUMENTS

D736,357	S *	8/2015	Melo	D23/262
D736,359	S *	8/2015	Melo	D23/262
D738,471	S *	9/2015	Melo	D23/262
D770,598	S *	11/2016	Steele	D23/262
D771,806	S *	11/2016	Steele	D24/129
2002/0139423	A1 *	10/2002	Roethel	F16L 29/04 137/614.03
2016/0009462	A1 *	1/2016	Erickson	B65D 25/48 222/545
2016/0178103	A1 *	6/2016	Murray	B65B 3/04 141/314

* cited by examiner

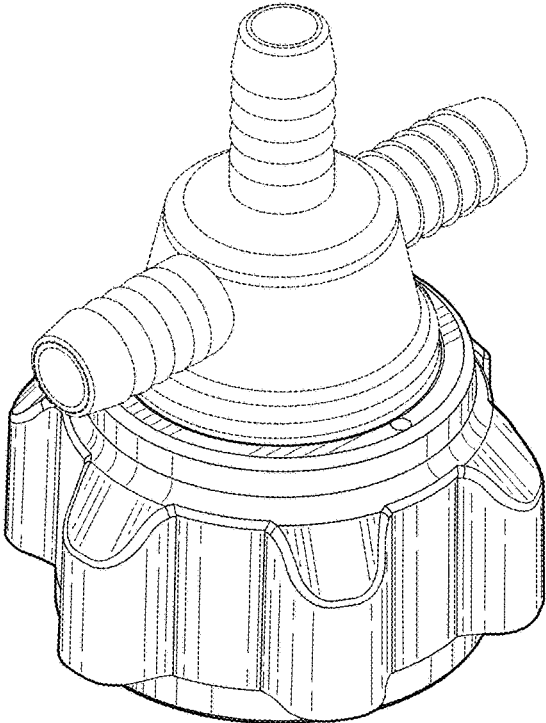


FIG. 1

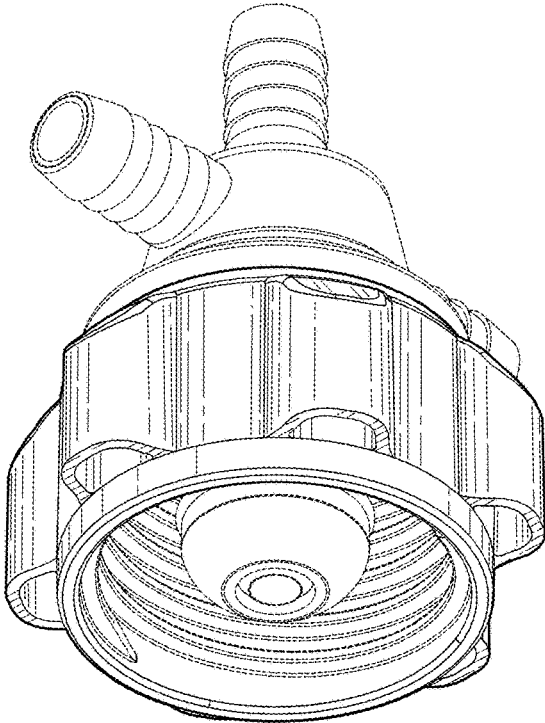


FIG. 2

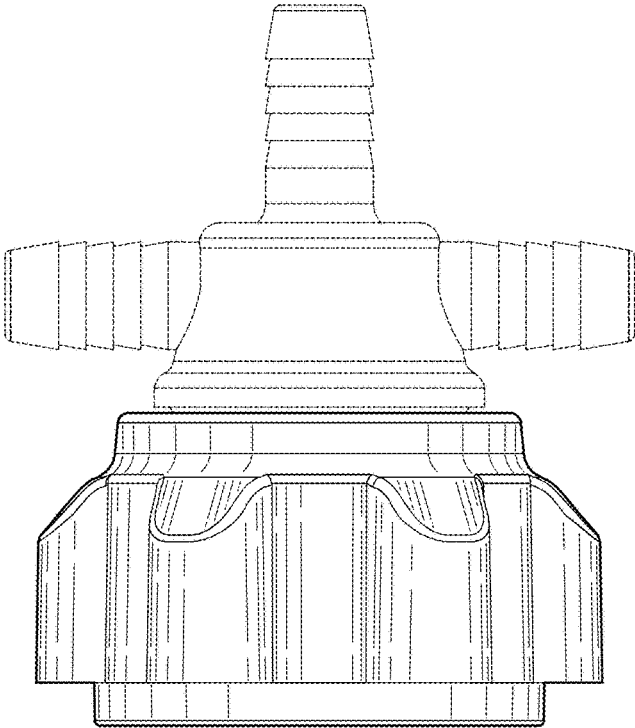


FIG. 3

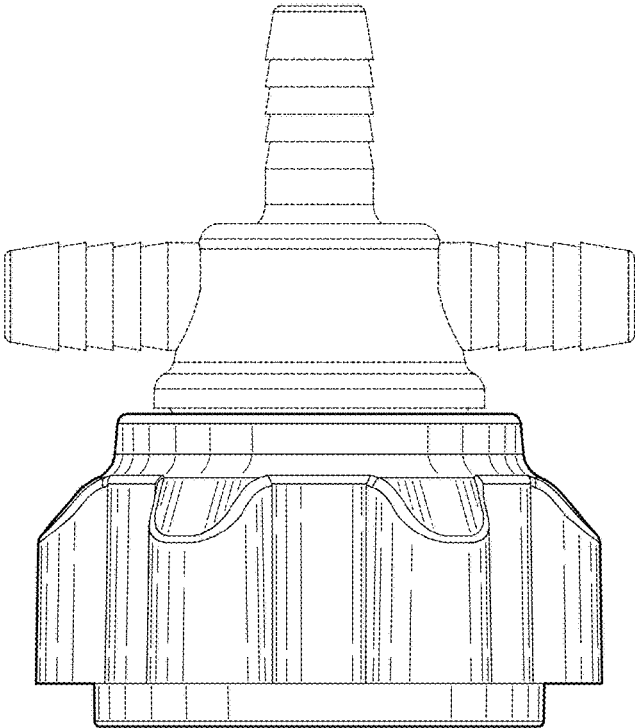


FIG. 4

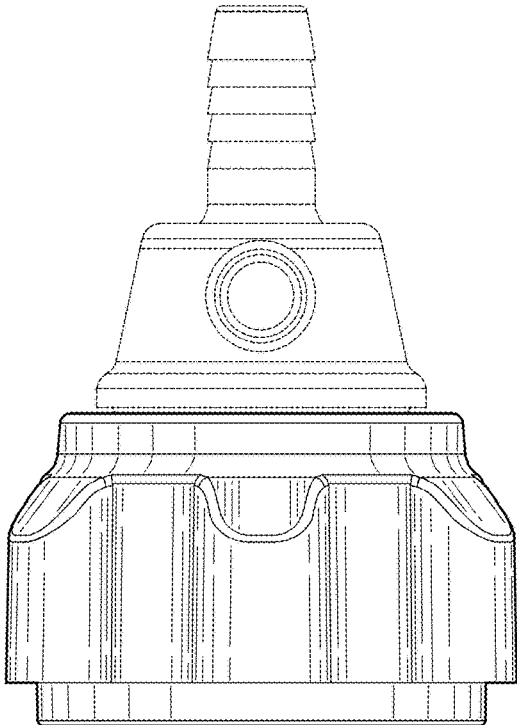


FIG. 5

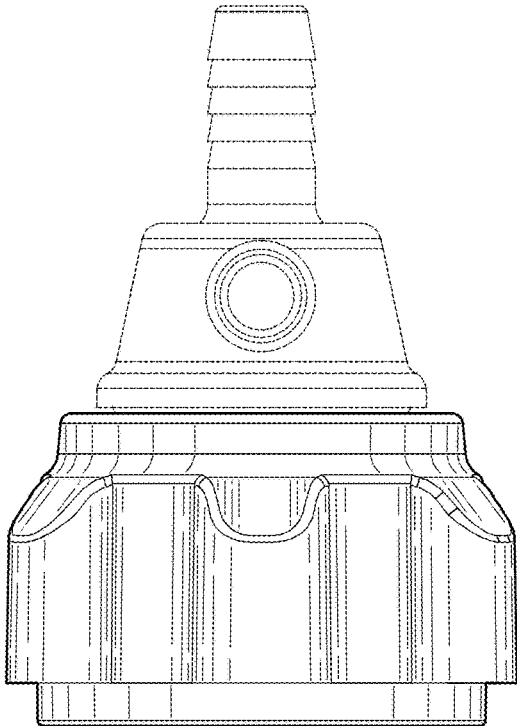


FIG. 6

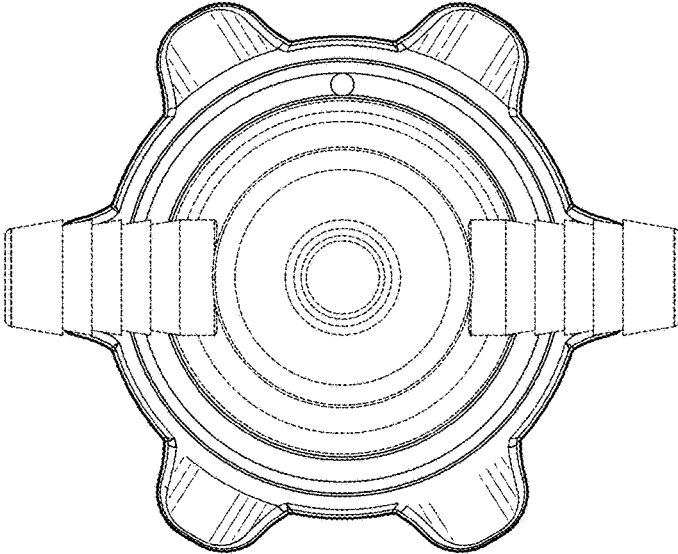


FIG. 7

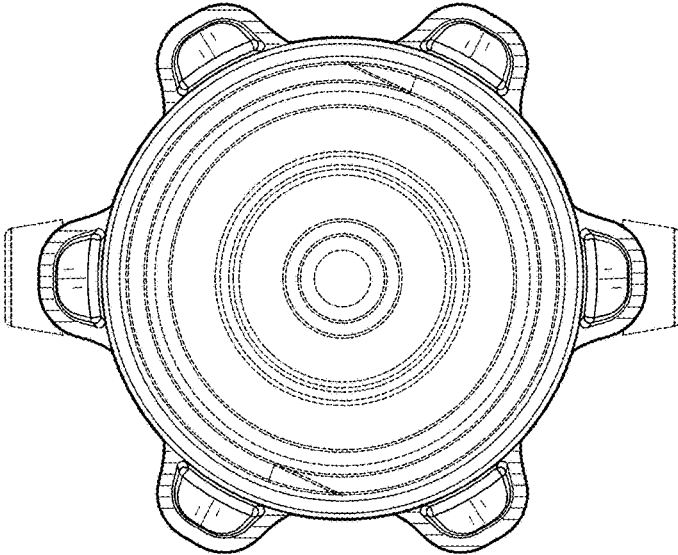


FIG. 8