



(12) **United States Design Patent**  
**Wang**

(10) **Patent No.:** **US D896,900 S**  
(45) **Date of Patent:** **\*\* Sep. 22, 2020**

(54) <b>KETTLEBELL</b>	7,762,933 B1 *	7/2010 Yu .....	A63B 21/072
			482/107
(71) Applicant: <b>BETO ENGINEERING AND MARKETING CO., LTD., Taichung (TW)</b>	D644,701 S *	9/2011 Towley, III .....	D21/681
	D651,672 S *	1/2012 Towley, III .....	D21/681
	D652,877 S *	1/2012 Dalebout .....	D21/682
	D664,613 S *	7/2012 Dalebout .....	D21/682
	D692,509 S *	10/2013 Kessler .....	D21/682
(72) Inventor: <b>Lopin Wang, Taichung (TW)</b>	9,022,906 B1 *	5/2015 Nelson .....	A63B 21/4043
			482/108
(73) Assignee: <b>BETO ENGINEERING AND MARKETING CO., LTD., Taichung (TW)</b>	9,731,159 B2 *	8/2017 Reynolds .....	A63B 21/0722
	D796,592 S *	9/2017 Towley .....	D21/682
	D804,592 S *	12/2017 Wittmack .....	D21/681
	10,099,083 B1 *	10/2018 Owusu .....	A63B 21/072
	D843,511 S *	3/2019 Harrison .....	D21/682
(**) Term: <b>15 Years</b>	10,420,978 B2 *	9/2019 Wang .....	A63B 21/075
	D879,888 S *	3/2020 Flick .....	D21/680
(21) Appl. No.: <b>29/703,697</b>	D879,891 S *	3/2020 Sundblad .....	D21/694
	D888,848 S *	6/2020 Owusu .....	D21/680
(22) Filed: <b>Aug. 29, 2019</b>	10,695,614 B2 *	6/2020 Owusu .....	A63B 24/0087
	2006/0035767 A1 *	2/2006 Ekhaus .....	A63B 21/0601
			482/108

(30) **Foreign Application Priority Data**

Jul. 26, 2019 (TW) ..... 108304490

(51) **LOC (12) Cl.** ..... **21-02**

(52) **U.S. Cl.**  
USPC ..... **D21/680**

(58) **Field of Classification Search**  
USPC ..... 482/93, 55, 51, 44, 110, 109, 108, 107, 482/106; D9/532; D8/75; D30/160; D23/304; D21/682, 684, 686, 692, 695, D21/681, 680, 662; D11/81  
CPC . A63B 21/072; A63B 21/075; A63B 21/4035; A63B 21/0726; A63B 21/0728; A63B 21/0004; A63B 21/4043; A63B 21/00065  
See application file for complete search history.

(56) **References Cited**

**U.S. PATENT DOCUMENTS**

D522,594 S *	6/2006	Donahue .....	D21/682
D522,595 S *	6/2006	Donahue .....	D21/682
7,563,208 B1 *	7/2009	Chen .....	A63B 21/0728
			482/108

(Continued)

*Primary Examiner* — Ryan Harvey

(74) *Attorney, Agent, or Firm* — Muncy, Geissler, Olds & Lowe, P.C.

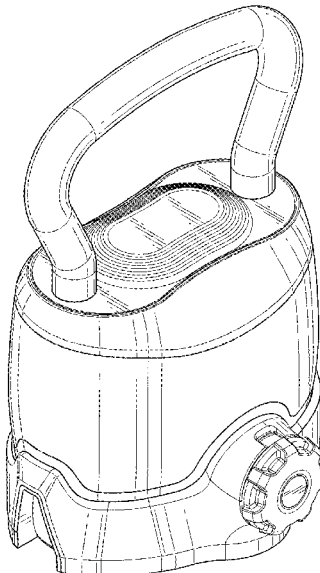
(57) **CLAIM**

The ornamental design for a kettlebell, as shown and described.

**DESCRIPTION**

FIG. 1 is a perspective view of a kettlebell showing my new design;  
FIG. 2 is a front elevational view thereof;  
FIG. 3 is a rear elevational view thereof;  
FIG. 4 is a left side elevational view thereof;  
FIG. 5 is a right side elevational view thereof;  
FIG. 6 is a top plan view thereof; and,  
FIG. 7 is a bottom plan view thereof.

**1 Claim, 6 Drawing Sheets**



(56)	<b>References Cited</b>							
	U.S. PATENT DOCUMENTS							
2007/0135274	A1*	6/2007	Blateri .....	A63B 21/075	2013/0040789	A1*	2/2013 Kessler .....	A63B 21/072
				482/109				482/108
2008/0081744	A1*	4/2008	Gormley .....	A63B 21/072	2013/0210589	A1*	8/2013 Thompson .....	A63B 21/0726
				482/93				482/108
2009/0062085	A1*	3/2009	Polevoy .....	A63B 21/075	2014/0024506	A1*	1/2014 Vixathep .....	A63B 21/072
				482/93				482/108
2010/0120588	A1*	5/2010	Krull .....	A63B 21/075	2015/0105224	A1*	4/2015 Odneal .....	A63B 21/0722
				482/93				482/107
2010/0190619	A1*	7/2010	Chen .....	A63B 21/0728	2015/0196792	A1*	7/2015 Towley .....	A63B 21/00065
				482/108				482/93
2010/0331151	A1*	12/2010	Signorile .....	A63B 21/0728	2015/0231440	A1*	8/2015 Nelson .....	A63B 21/075
				482/93				482/108
2011/0263392	A1*	10/2011	Yu .....	A63B 21/072	2017/0225025	A1*	8/2017 Towley .....	A63B 21/075
				482/93	2017/0259105	A1*	9/2017 Pawlas .....	A63B 21/072
2011/0275494	A1*	11/2011	Radi .....	A63B 21/072	2018/0117387	A1*	5/2018 Wang .....	A63B 21/072
				482/93	2018/0169460	A1*	6/2018 Chen .....	A63B 21/075
2012/0252641	A1*	10/2012	Oodneal .....	A63B 21/0728	2019/0217146	A1*	7/2019 Sisler .....	A63B 1/00
				482/108	2019/0240526	A1*	8/2019 Owusu .....	A63B 21/0726

\* cited by examiner

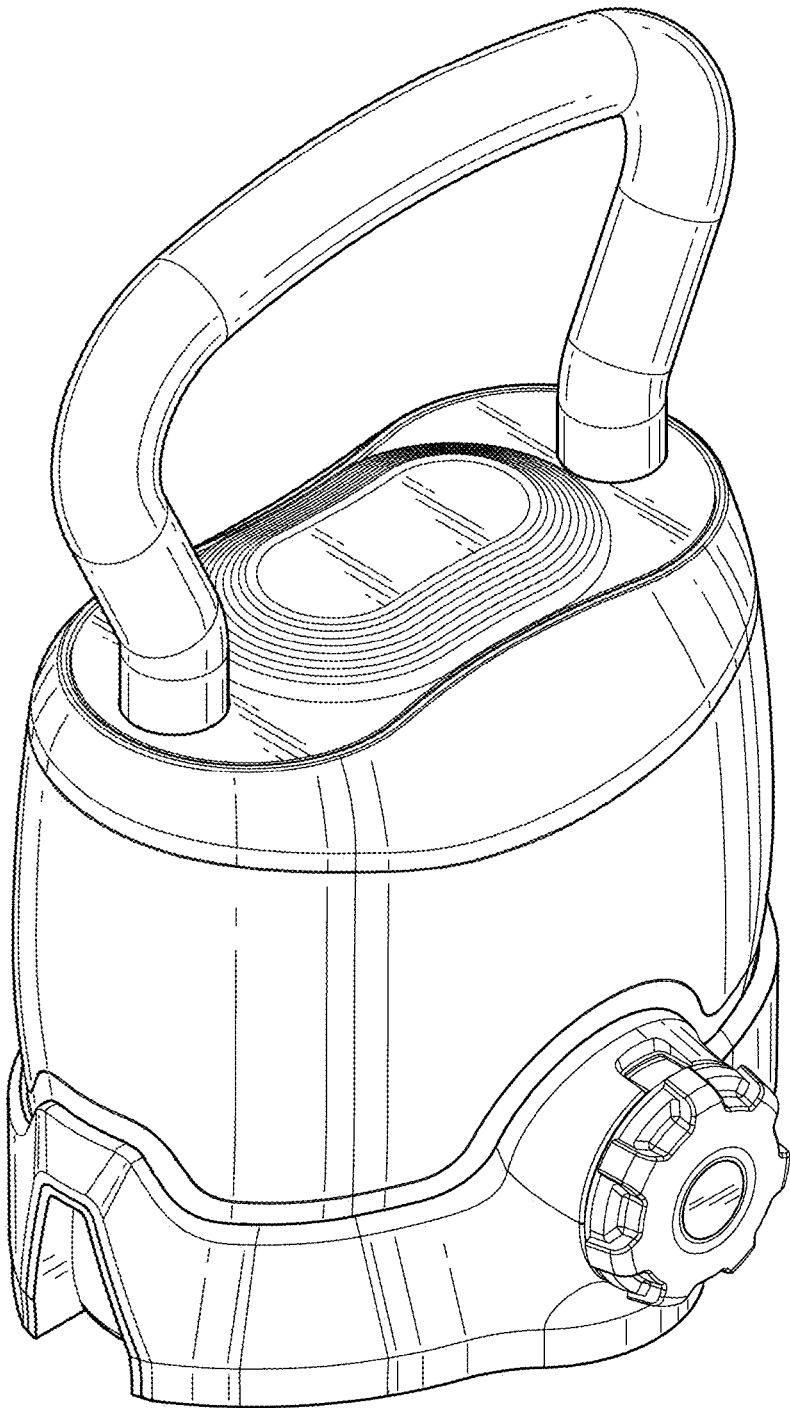


FIG.1

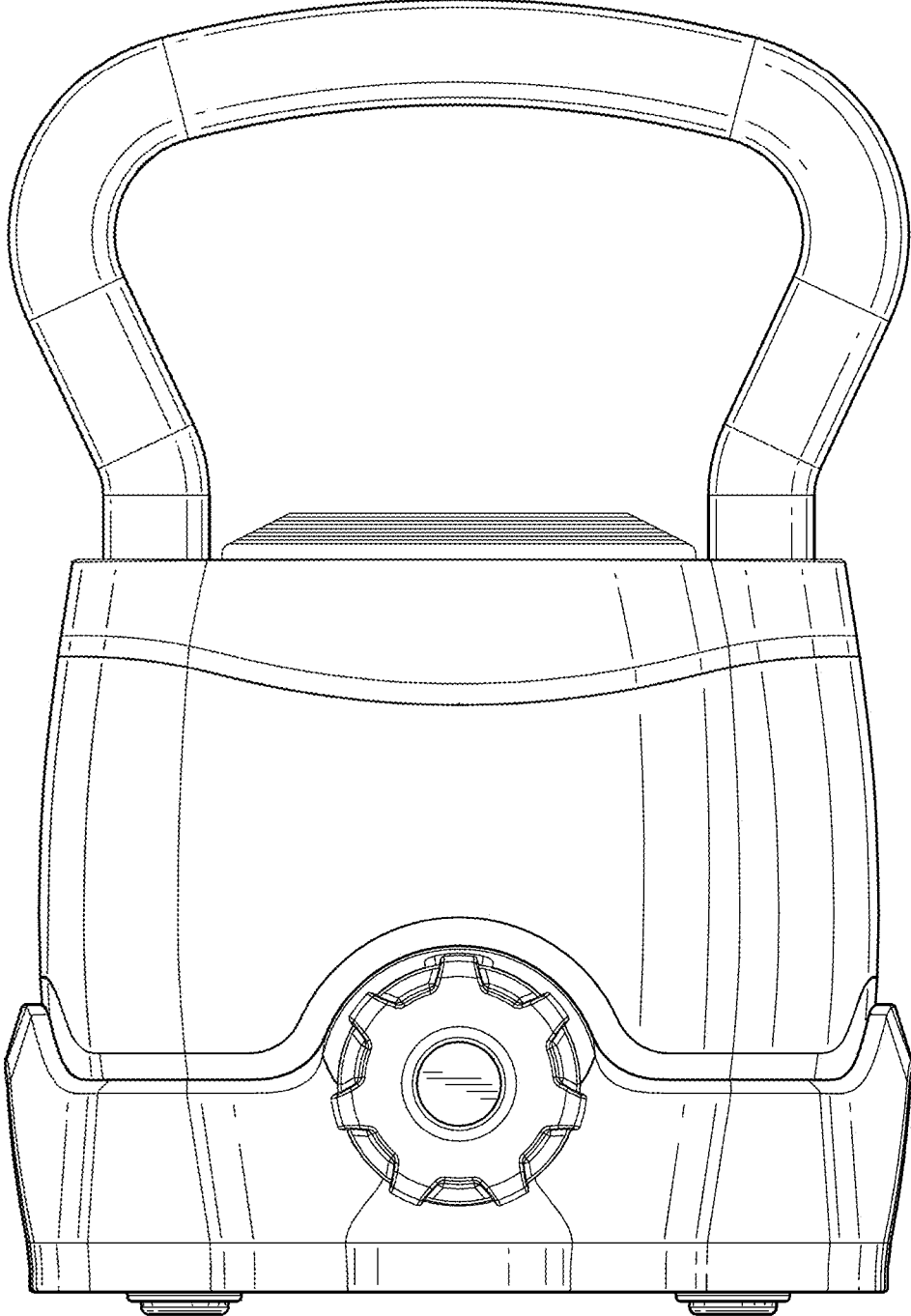


FIG. 2

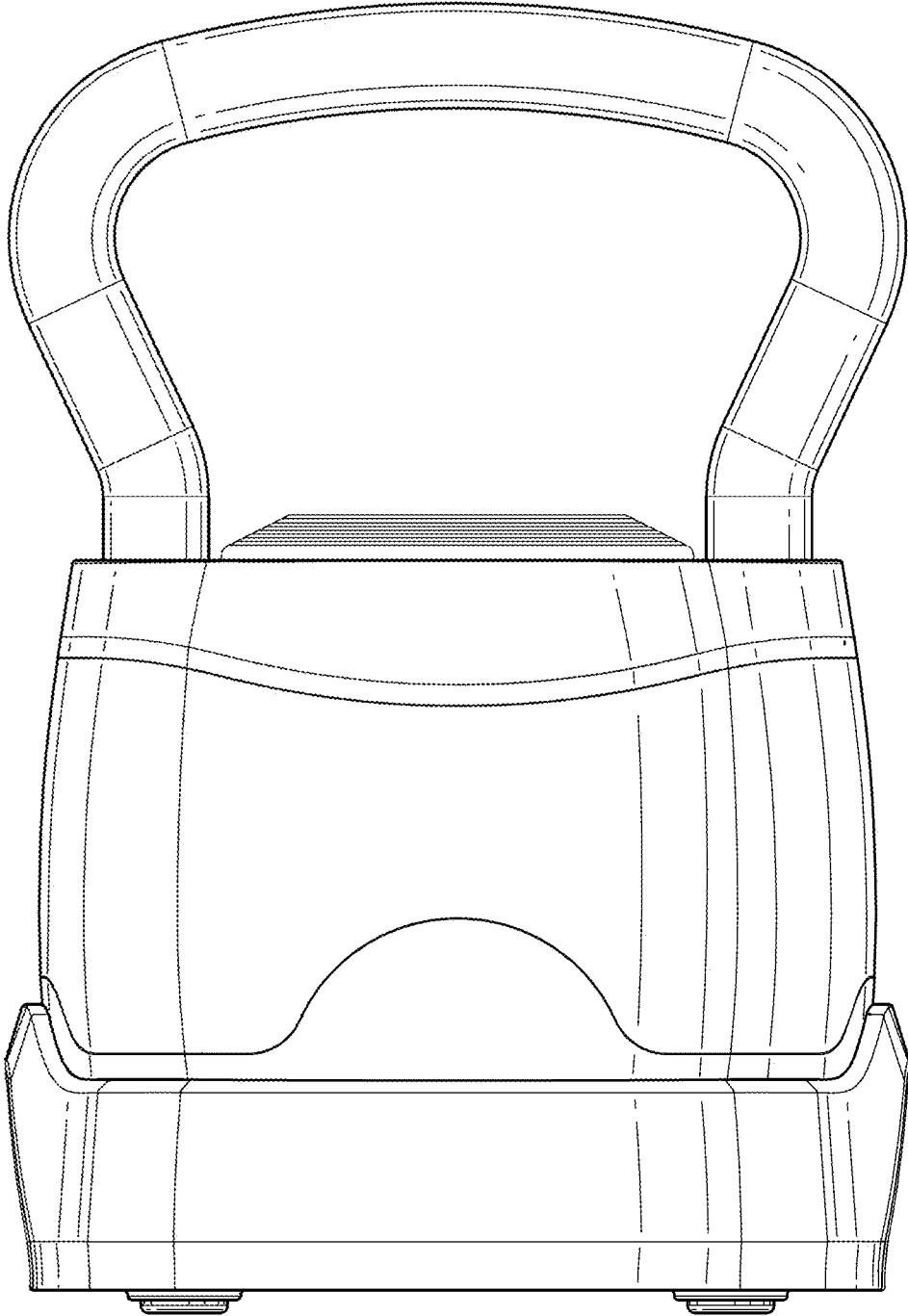


FIG.3

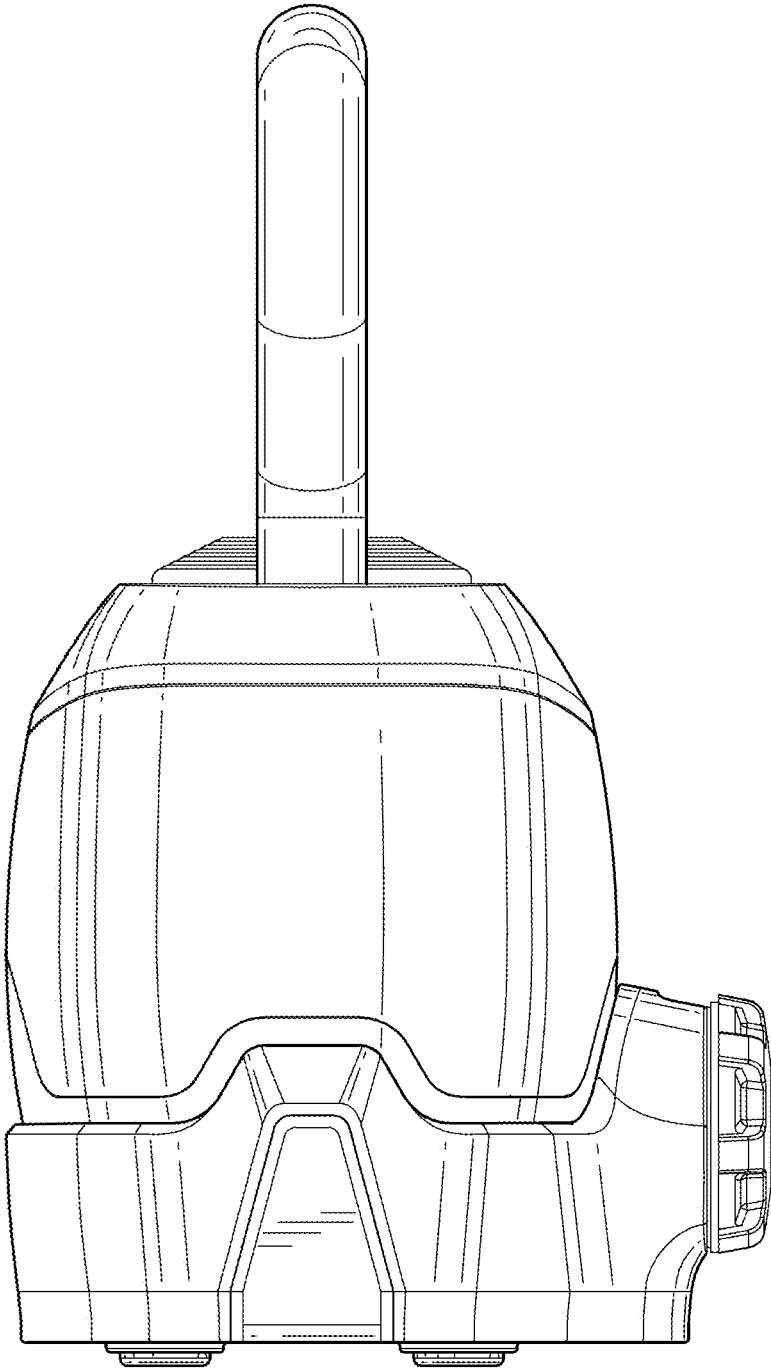


FIG.4

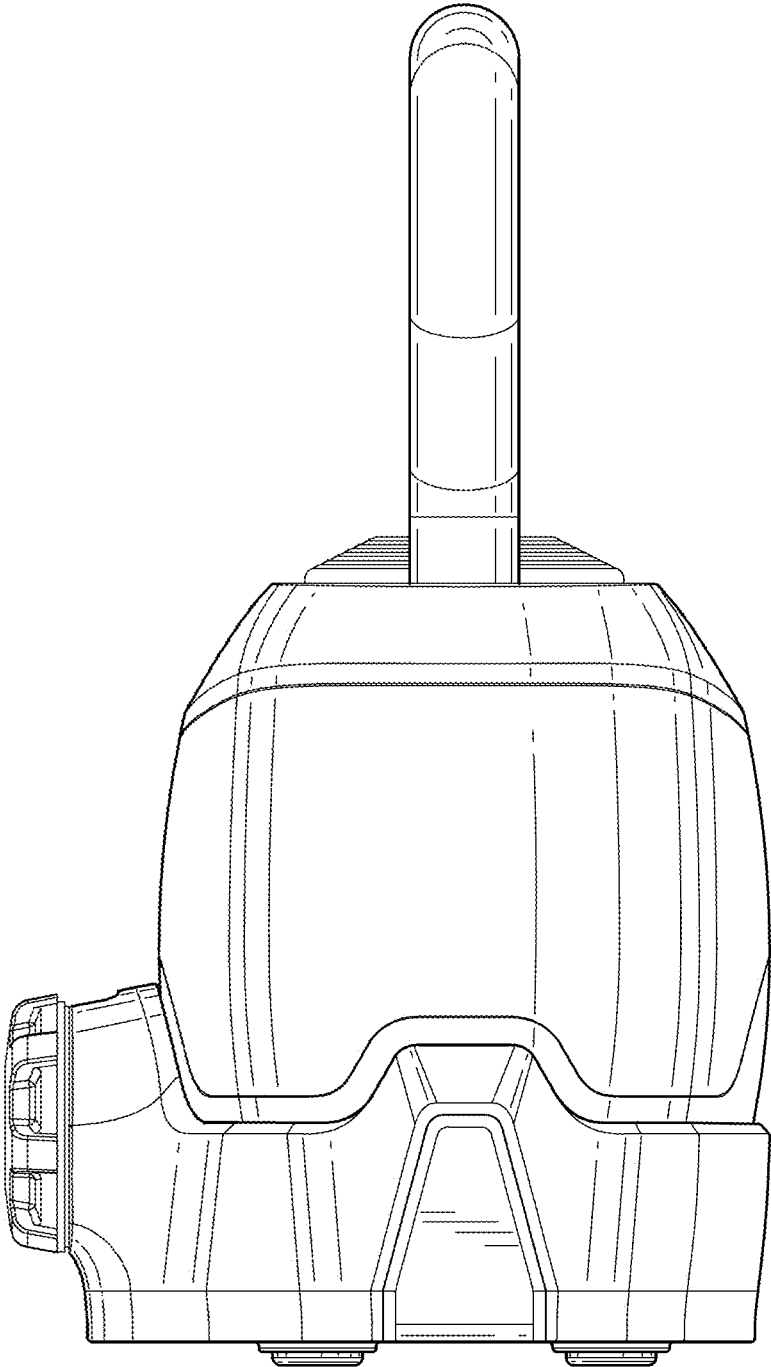


FIG.5

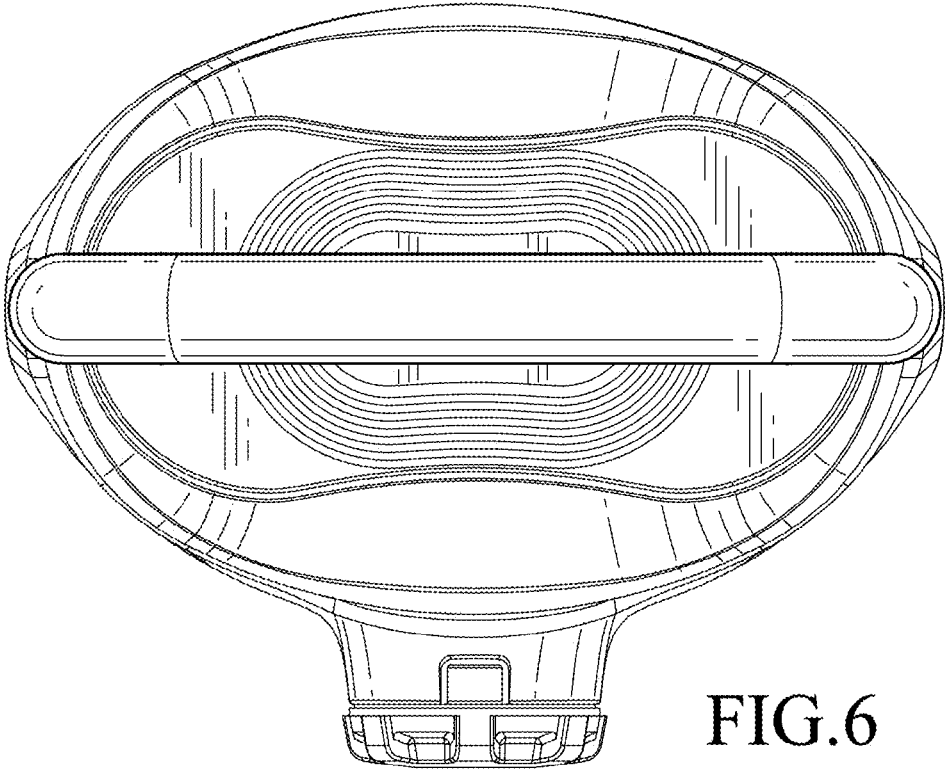


FIG. 6

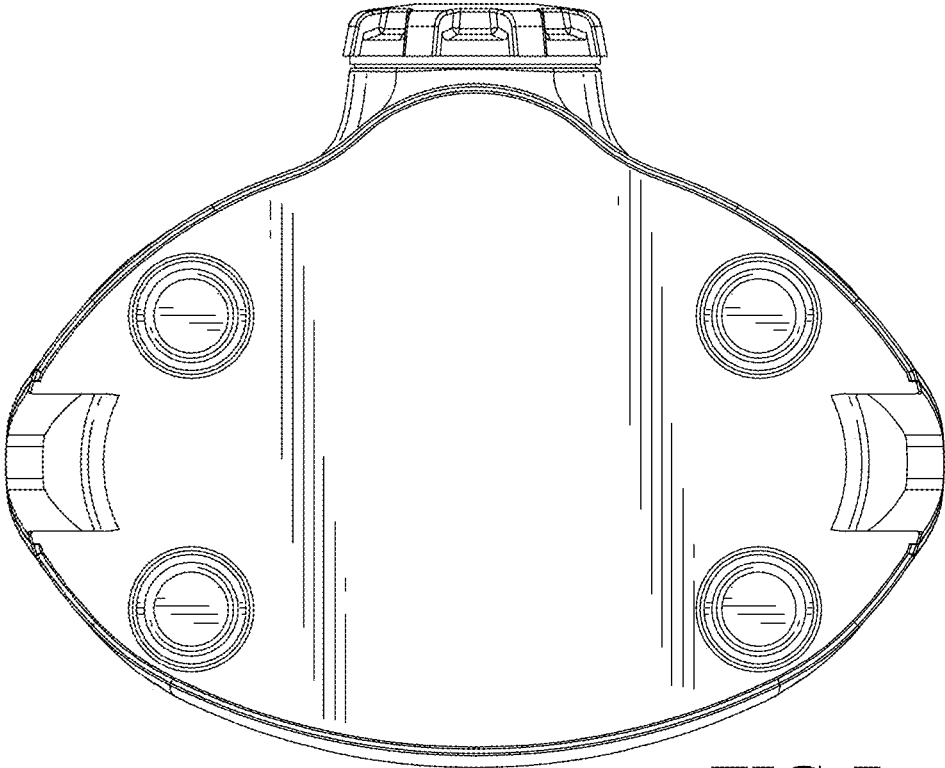


FIG. 7