



US00D563896S

(12) **United States Design Patent**  
**Greenslate**

(10) **Patent No.:** **US D563,896 S**

(45) **Date of Patent:** **\*\* Mar. 11, 2008**

(54) **ALARM BOX**

(76) Inventor: **Randal S. Greenslate**, 6241 Yarrow Dr., Suite A, Carlsbad, CA (US) 92011

(\*\*) Term: **14 Years**

(21) Appl. No.: **29/275,226**

(22) Filed: **Dec. 18, 2006**

(51) **LOC (8) Cl.** ..... **13-02**

(52) **U.S. Cl.** ..... **D13/152; D10/104**

(58) **Field of Classification Search** ..... D13/139.4,  
D13/152, 156, 184; D10/104, 106, 121;  
220/3.2, 3.3, 3.7-3.9, 241, 242, 244, 315;  
439/135, 136, 138, 142, 367, 373, 535, 536,  
439/537, 541, 892, 938; 174/50, 53-55,  
174/58, 60, 66, 67

See application file for complete search history.

(56) **References Cited**

**U.S. PATENT DOCUMENTS**

969,805	A	*	9/1910	Pratt	.....	220/315
D52,944	S	*	2/1919	Boyton	.....	D13/152
1,402,769	A	*	1/1922	Hirshfeld	.....	220/3.94
2,553,244	A	*	5/1951	Ellmann	.....	340/303
2,946,867	A	*	7/1960	Wehrig	.....	200/61.45 R
3,215,769	A	*	11/1965	Slater	.....	174/53
3,288,910	A	*	11/1966	Zerwes	.....	174/53
3,340,349	A	*	9/1967	Zerwes	.....	174/53

D264,450	S	*	5/1982	Smith, Jr.	.....	D10/106
D286,768	S	*	11/1986	Borsh et al.	.....	D13/152
D310,824	S	*	9/1990	Layton	.....	D13/152
D507,241	S	*	7/2005	Koessler	.....	D13/152
2007/0187402	A1	*	8/2007	Dinh	.....	220/3.9

\* cited by examiner

*Primary Examiner*—Cathron Brooks

*Assistant Examiner*—Rosemary K Tarcza

(74) *Attorney, Agent, or Firm*—Michael H. Jester

(57) **CLAIM**

The ornamental design for an alarm box, as shown and described.

**DESCRIPTION**

FIG. 1 is an isometric view of the alarm box.

FIG. 2 is a top plan view of the alarm box.

FIG. 3 is a bottom plan view of the alarm box.

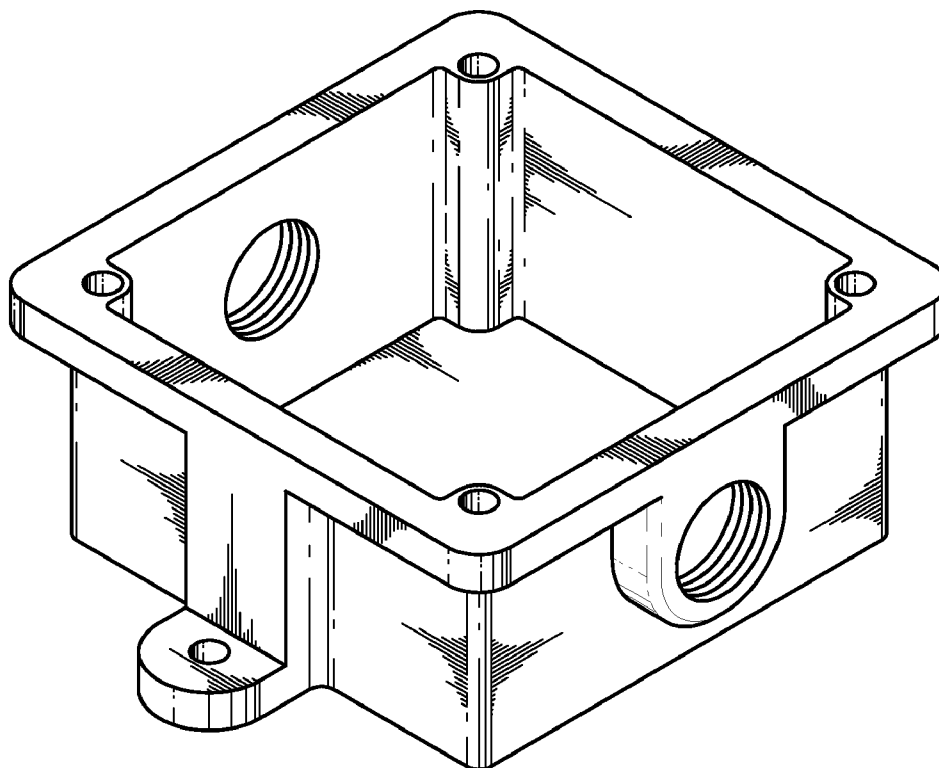
FIG. 4 is a side elevation view of the alarm box taken from the left side of FIG. 1.

FIG. 5 is a side elevation view of the alarm box opposite of the side illustrated in FIG. 4.

FIG. 6 is a right hand side elevation view of the alarm box; and,

FIG. 7 is a left hand side elevation view of the alarm box.

**1 Claim, 3 Drawing Sheets**



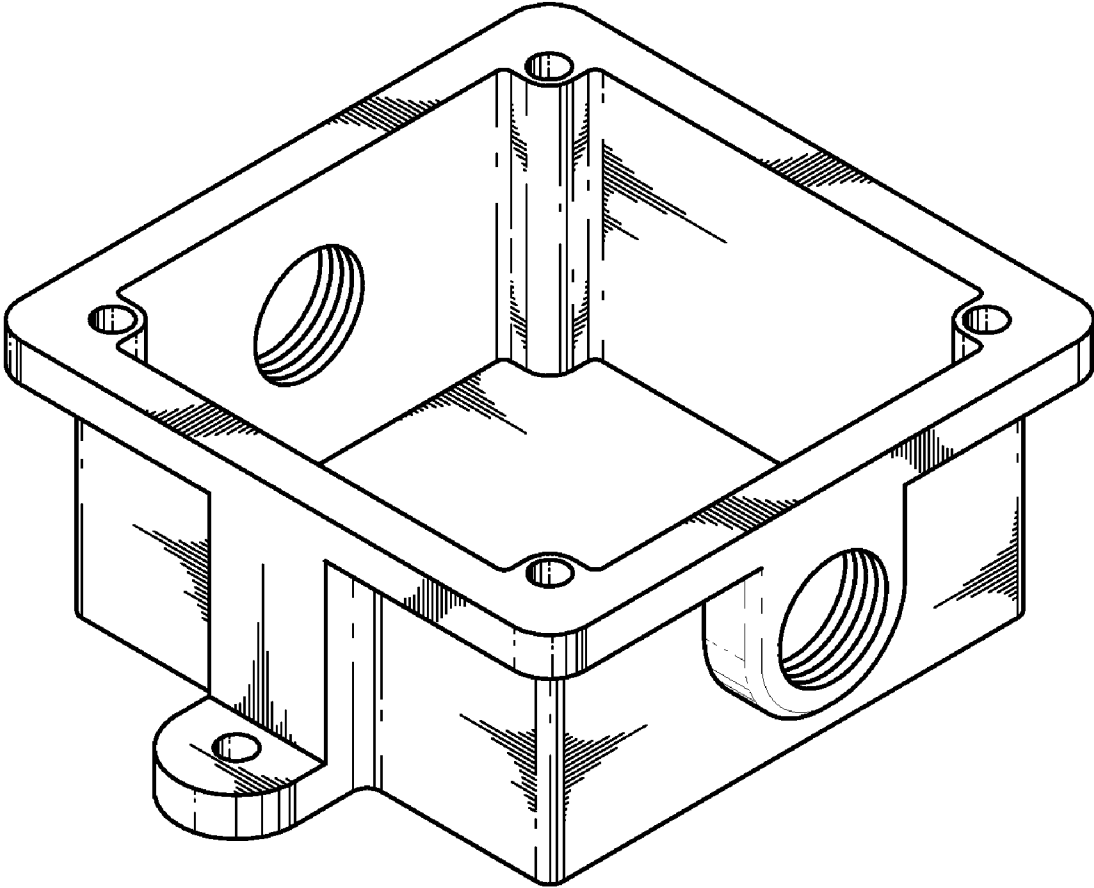
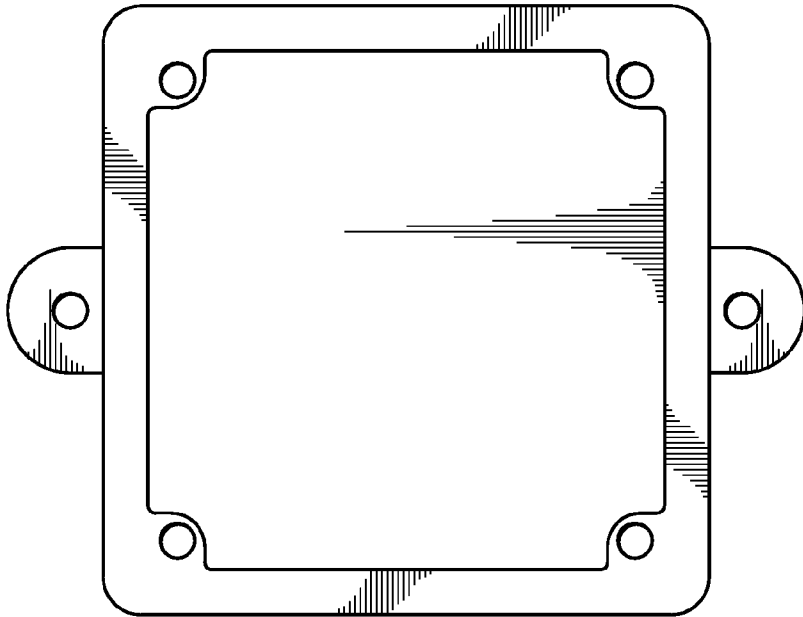
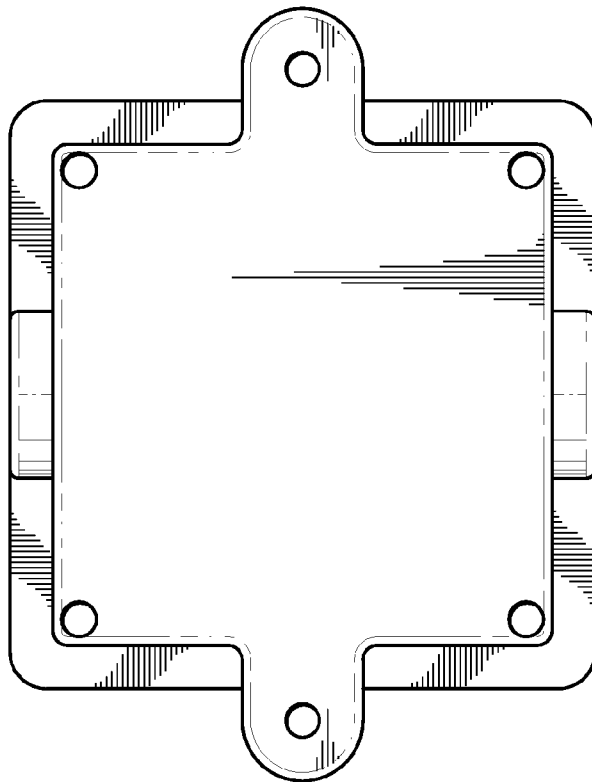


FIG. 1



*FIG. 2*



*FIG. 3*

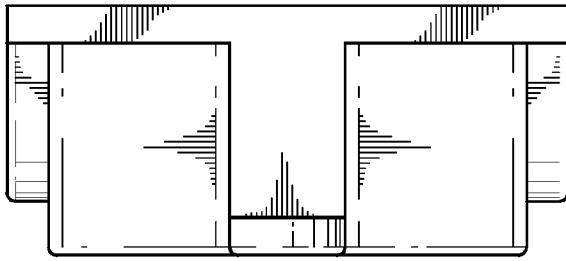


FIG. 4

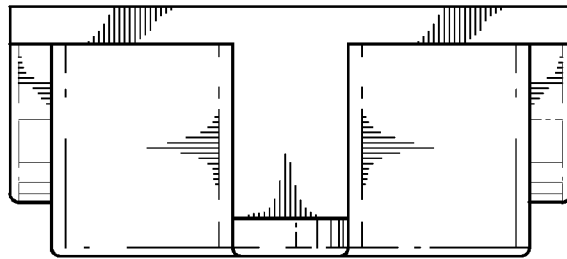


FIG. 5

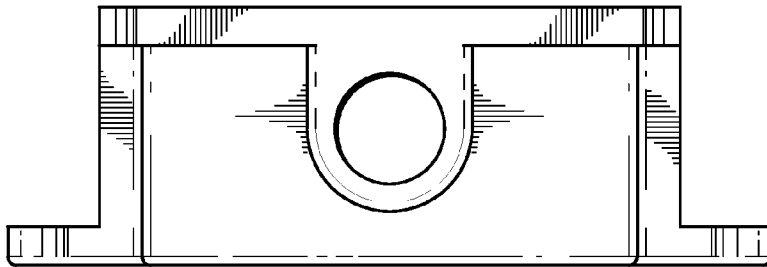


FIG. 6

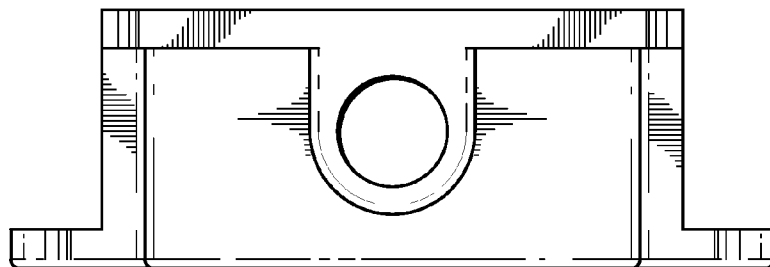


FIG. 7