



US00D833452S

(12) **United States Design Patent**
Helwig et al.

(10) **Patent No.:** **US D833,452 S**

(45) **Date of Patent:** **** Nov. 13, 2018**

(54) **KEYBOARD**

(71) Applicant: **Logitech Europe S.A.**, Lausanne (CH)

(72) Inventors: **Marten Helwig**, Bern-Hinterkappelen (CH); **Bengt Gunnar Brümmer**, Lausanne (CH); **Jasper Phua Jun Shu**, Lausanne (CH); **Khodayar Feiz**, Amsterdam (NL); **Jerry Thong**, Amsterdam (NL); **Charlotte Alexandra Cathelijm Coster**, Amsterdam (NL); **Tom Michael Brill**, Amsterdam (NL); **Johan van Hengel**, Amsterdam (NL)

(73) Assignee: **Logitech Europe S.A.**, Lausanne (CH)

(**) Term: **15 Years**

(21) Appl. No.: **29/555,306**

(22) Filed: **Feb. 19, 2016**

(51) **LOC (11) Cl.** **14-02**

(52) **U.S. Cl.**
USPC **D14/455**

(58) **Field of Classification Search**
USPC D14/240, 138, 318, 341, 391-399, 443, D14/455, 456, 315, 434; D18/1, 2, 7; 345/156, 160, 168, 169, 173
CPC G06F 1/1613; G06F 1/1671; G06F 1/1654
See application file for complete search history.

(56) **References Cited**

U.S. PATENT DOCUMENTS

D628,998 S * 12/2010 Wu D14/391
D689,059 S * 9/2013 Tak D14/455

D742,380 S * 11/2015 Park D14/392
D746,819 S * 1/2016 Feiz D14/392
D754,137 S * 4/2016 Ozolins D14/455
D765,077 S * 8/2016 Park D14/392
D768,632 S * 10/2016 Ruegg D14/392
D786,249 S * 5/2017 Feiz D14/392
2013/0249801 A1* 9/2013 Paschke G06F 3/0213
345/168
2016/0149428 A1* 5/2016 Nunami G06F 1/1632
320/136

* cited by examiner

Primary Examiner — Lakiya G Rogers

Assistant Examiner — Harold E Blackwell, II

(74) *Attorney, Agent, or Firm* — Kilpatrick Townsend & Stockton LLP

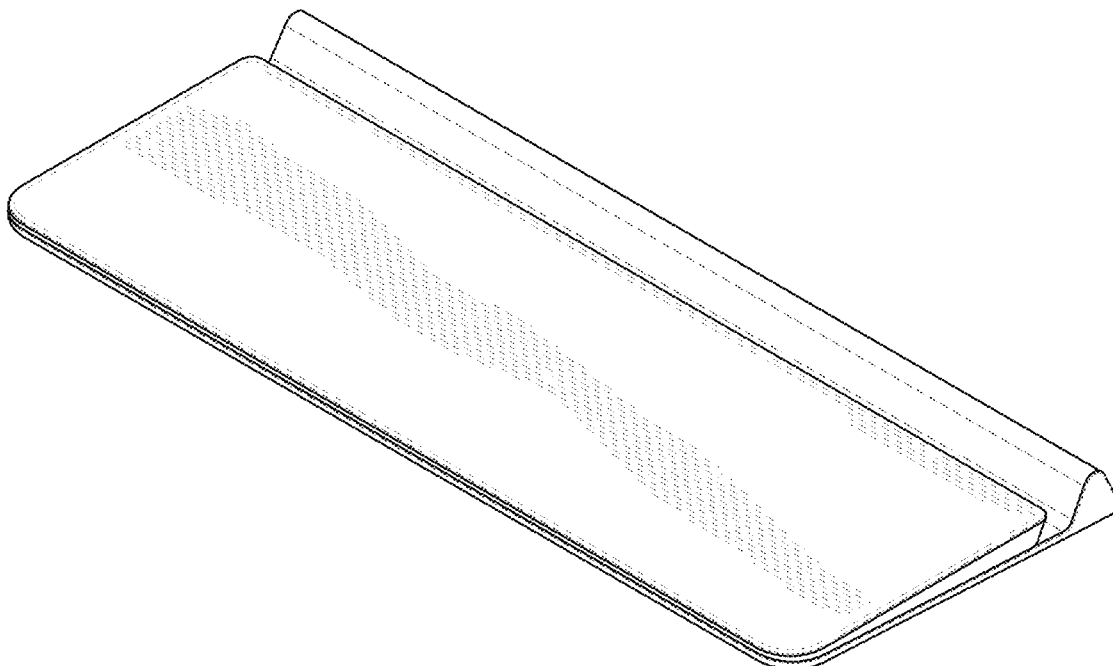
(57) **CLAIM**

The ornamental design for our keyboard, as shown and described.

DESCRIPTION

FIG. 1 is a perspective view of our keyboard with keys removed showing my new design;
FIG. 2 is a top plan view thereof;
FIG. 3 is a bottom plan view thereof;
FIG. 4 is a front elevational view thereof;
FIG. 5 is a rear elevational view thereof;
FIG. 6 is a left side elevational view; and,
FIG. 7 is a right side elevational view.

1 Claim, 5 Drawing Sheets



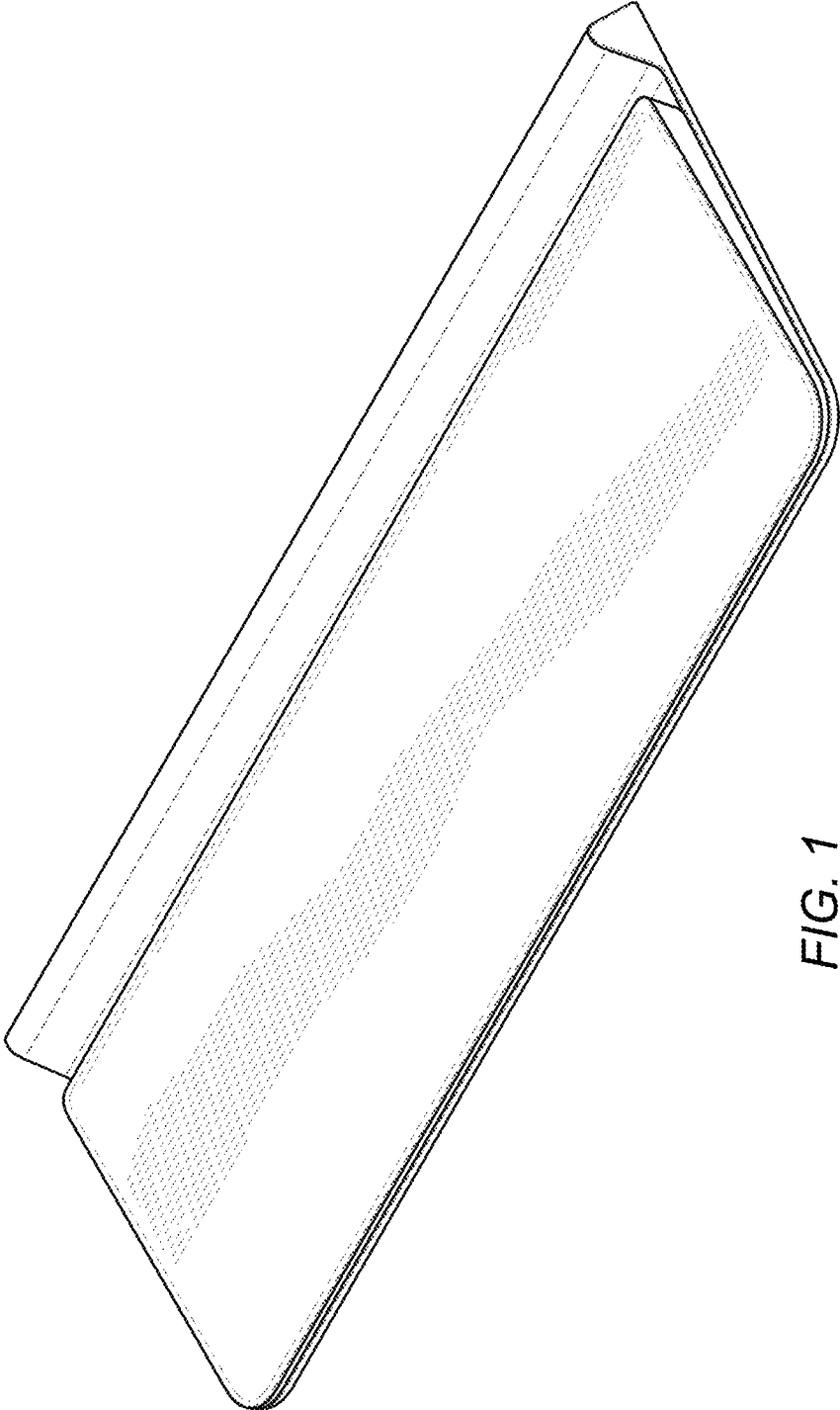


FIG. 1

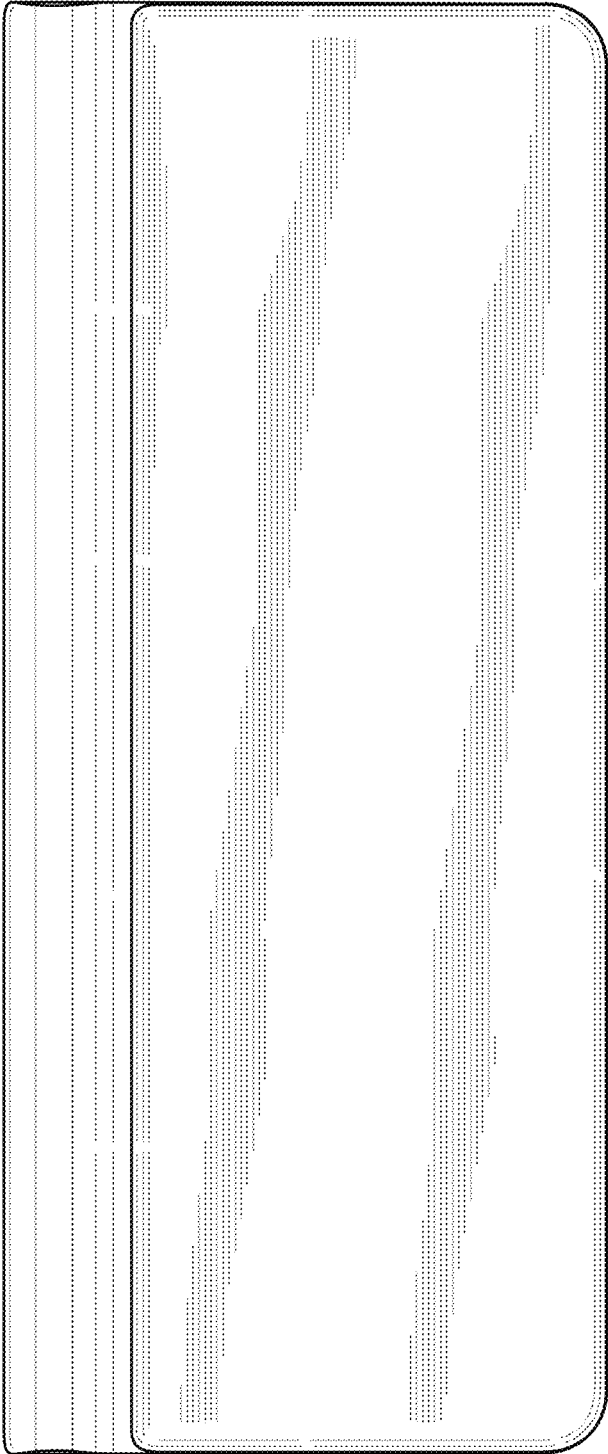


FIG. 2

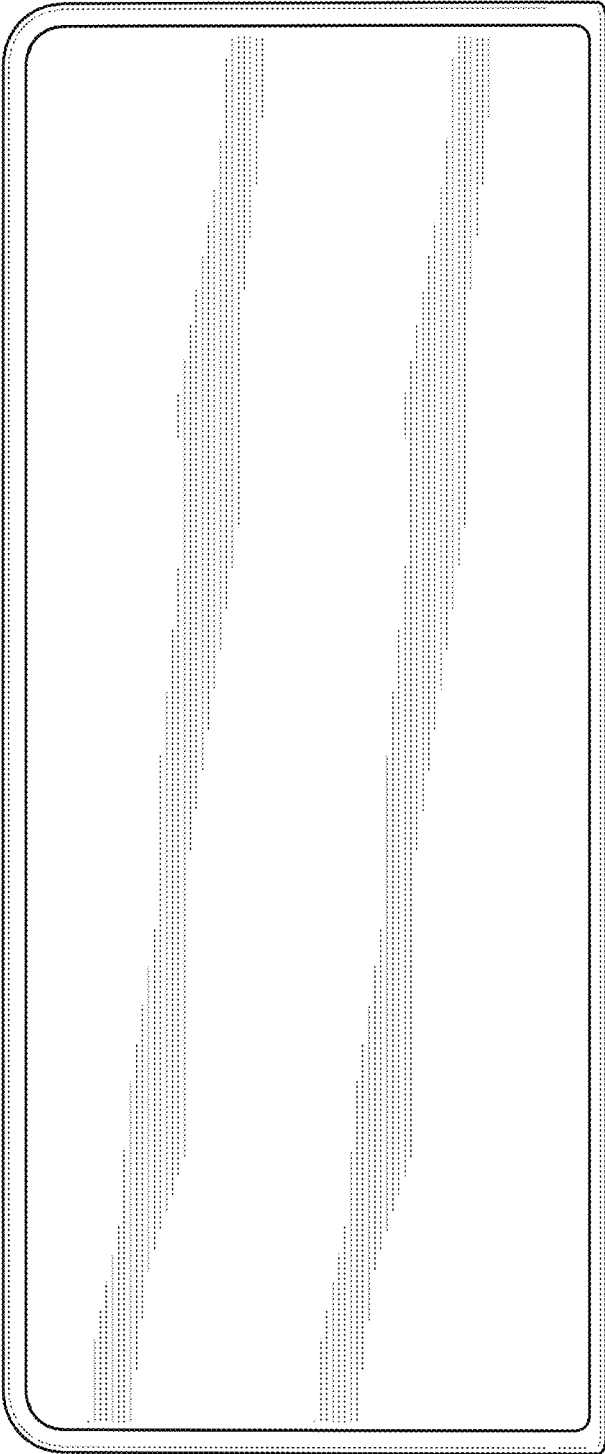


FIG. 3



FIG. 4

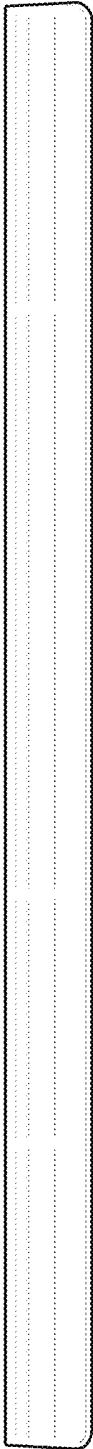


FIG. 5

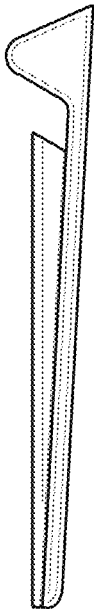


FIG. 7

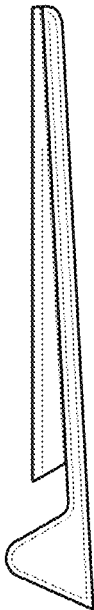


FIG. 6