

(19) World Intellectual Property Organization
International Bureau



(43) International Publication Date
20 March 2008 (20.03.2008)

PCT

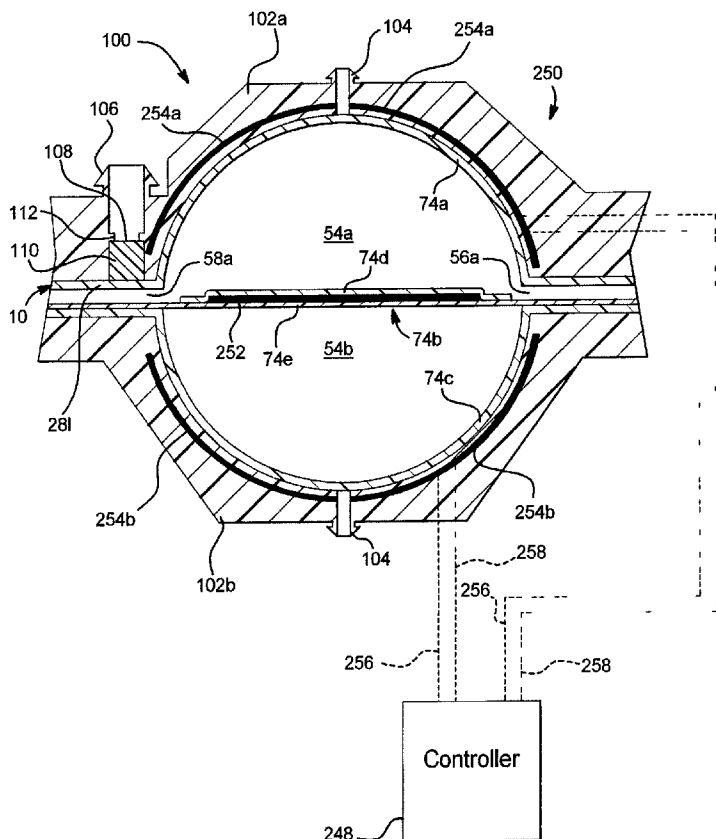
(10) International Publication Number
WO 2008/033788 A3

- (51) **International Patent Classification:**
A61M 1/36 (2006 01) A61M 1/34 (2006 01)
A61M 1/16 (2006 01)
- (21) **International Application Number:**
PCT/US2007/078089
- (22) **International Filing Date:**
11 September 2007 (11 09 2007)
- (25) **Filing Language:** English
- (26) **Publication Language:** English
- (30) **Priority Data:**
11/530,842 11 September 2006 (11 09 2006) US
- (71) **Applicants (for all designated States except US):** BAXTER INTERNATIONAL INC. [US/US], One Baxter Parkway, Deerfield, Illinois 60015-4633 (US) BAXTER HEALTHCARE S.A. [CWCH], Hertistrasse 2, CH-8304 Walthellen, Zurich (CH)
- (72) **Inventors; and**
- (75) **Inventors/Applicants (for US only):** YING-CHENG, Lo [US/US], 225 Fox Run Road, Green Oaks, IL 60048 (US)

- CHILDERS, Robert W.** [US/US], 8816 Bel Meadow Way, Trinity, Florida 34655 (US) **KELLY, Thomas D.** [US/US], 118 Leonard Wood Street #202, Highland Park, Illinois 60035 (US) **ROHDE, Justin** [US/US], 1349 East Washington Street #207, Des Plaines, Illinois 60016 (US)
- (74) **Agent:** PRICE, Bradford R.L., Baxter International Inc , One Baxter Parkway, Deerfield, Illinois 60015-4633, (US)
- (81) **Designated States (unless otherwise indicated, for every kind of national protection available):** AE, AG, AL, AM, AT, AU, AZ, BA, BB, BG, BH, BR, BW, BY, BZ, CA, CH, CN, CO, CR, CU, CZ, DE, DK, DM, DO, DZ, EC, EE, EG, ES, FI, GB, GD, GE, GH, GM, GT, HN, HR, HU, ID, IL, IN, IS, JP, KE, KG, KM, KN, KP, KR, KZ, LA, LC, LK, LR, LS, LT, LU, LY, MA, MD, ME, MG, MK, MN, MW, MX, MY, MZ, NA, NG, NI, NO, NZ, OM, PG, PH, PL, PT, RO, RS, RU, SC, SD, SE, SG, SK, SL, SM, SV, SY, TJ, TM, TN, TR, TT, TZ, UA, UG, US, UZ, VC, VN, ZA, ZM, ZW
- (84) **Designated States (unless otherwise indicated, for every kind of regional protection available):** ARIPO (BW, GH,

[Continued on next page]

(54) **Title:** MEDICAL FLUID SYSTEM WITH FLEXIBLE SHEETING DISPOSABLE UNIT



(57) **Abstract:** A kidney failure therapy system includes (a) a dialysate supply, (b) at least one valve actuator, (c) at least one pump actuator, and (d) a disposable unit including first and second flexible sheets sealed together for form (i) at least one flow path configured to be placed in fluid communication with the dialysate supply, and operable with the at least one valve actuator, and (ii) a least one pumping portion configured to operate with the at least one pump actuator

WO 2008/033788 A3



GM, KE, LS, MW, MZ, NA, SD, SL, SZ, TZ, UG, ZM, ZW), Eurasian (AM, AZ, BY, KG, KZ, MD, RU, TJ, TM), European (AT, BE, BG, CH, CY, CZ, DE, **DK**, EE, ES, FI, FR, GB, GR, HU, IE, **IS**, **IT**, LT, LU, LV, MC, MT, NL, PL, PT, **RO**, SE, **SI**, SK, TR), OAPI (BF, **BJ**, CF, CG, CI, CM, GA, GN, GQ, GW, ML, **MR**, NE, SN, TD, TG).

Published:

— *with international search report*

(88) Date of publication of the international search report:
24 July 2008

Declarations under Rule 4.17:

- *as to applicant's entitlement to apply for and be granted a patent (Rule 4.17(H))*
- *as to the applicant's entitlement to claim the priority of the earlier application (Rule 4.17(Ui))*

INTERNATIONAL SEARCH REPORT

International application No
PCT/US2007/078089

A. CLASSIFICATION OF SUBJECT MATTER INV. A61M1/34 A61M1/36 ADD. A61M1/16				
According to International Patent Classification (IPC) or to both national classification and IPC				
B. FIELDS SEARCHED Minimum documentation searched (classification system followed by classification symbols) A61M				
Documentation searched other than minimum documentation to the extent that such documents are included in the fields searched				
Electronic data base consulted during the international search (name of data base and, where practical, search terms used) EPO-Internal , WPI Data				
C. DOCUMENTS CONSIDERED TO BE RELEVANT				
Category'	Citation of document, with indication, where appropriate, of the relevant passages	Relevant to claim No.		
X	WO 2005/044339 A (BAXTER HEALTHCARE CORP [US]; BAXTER HEALTHCARE SA [CH]; KELLY THOMAS D) 19 May 2005 (2005-05-19) figures 2,3,44 page 16, lines 25-31 page 75, lines 11-32 page 81, lines 9-31	1-37		
X	----- US 2002/147423 A1 (BURBANK JEFFREY H [US] ET AL BURBANK JEFFREY H [US] ET AL) 10 October 2002 (2002-10-10) claims 86,89; figures 7,8 paragraphs [0090], [0092], [0100] ----- -/-	1-17, 38-50		
<table style="width: 100%; border: none;"> <tr> <td style="width: 50%; border: none;"><input checked="" type="checkbox"/> Further documents are listed in the continuation of EkX C.</td> <td style="width: 50%; border: none;"><input checked="" type="checkbox"/> See patent (family annex).</td> </tr> </table>			<input checked="" type="checkbox"/> Further documents are listed in the continuation of EkX C.	<input checked="" type="checkbox"/> See patent (family annex).
<input checked="" type="checkbox"/> Further documents are listed in the continuation of EkX C.	<input checked="" type="checkbox"/> See patent (family annex).			
<table style="width: 100%; border: none;"> <tr> <td style="width: 50%; border: none;"> * Special categories of cited documents 'A' document defining the general state of the art which is not considered to be of particular relevance 'E' earlier document but published on or after the international filing date 'L' document which may throw doubts on priority claim(s) or which is cited to establish the publication date of another citation or other special reason (as specified) 'O' document referring to an oral disclosure, use, exhibition or other means 'P' document published prior to the international filing date but later than the priority date claimed </td> <td style="width: 50%; border: none;"> 'T' later document published after the international filing date or priority date and not in conflict with the application but cited to understand the principle or theory underlying the invention 'X*' document of particular relevance, the claimed invention cannot be considered novel or cannot be considered to involve an inventive step when the document is taken alone 'Y1' document of particular relevance, the claimed invention cannot be considered to involve an inventive step when the document is combined with one or more other such documents, such combination being obvious to a person skilled in the art 'S*' document member of the same patent family </td> </tr> </table>			* Special categories of cited documents 'A' document defining the general state of the art which is not considered to be of particular relevance 'E' earlier document but published on or after the international filing date 'L' document which may throw doubts on priority claim(s) or which is cited to establish the publication date of another citation or other special reason (as specified) 'O' document referring to an oral disclosure, use, exhibition or other means 'P' document published prior to the international filing date but later than the priority date claimed	'T' later document published after the international filing date or priority date and not in conflict with the application but cited to understand the principle or theory underlying the invention 'X*' document of particular relevance, the claimed invention cannot be considered novel or cannot be considered to involve an inventive step when the document is taken alone 'Y1' document of particular relevance, the claimed invention cannot be considered to involve an inventive step when the document is combined with one or more other such documents, such combination being obvious to a person skilled in the art 'S*' document member of the same patent family
* Special categories of cited documents 'A' document defining the general state of the art which is not considered to be of particular relevance 'E' earlier document but published on or after the international filing date 'L' document which may throw doubts on priority claim(s) or which is cited to establish the publication date of another citation or other special reason (as specified) 'O' document referring to an oral disclosure, use, exhibition or other means 'P' document published prior to the international filing date but later than the priority date claimed	'T' later document published after the international filing date or priority date and not in conflict with the application but cited to understand the principle or theory underlying the invention 'X*' document of particular relevance, the claimed invention cannot be considered novel or cannot be considered to involve an inventive step when the document is taken alone 'Y1' document of particular relevance, the claimed invention cannot be considered to involve an inventive step when the document is combined with one or more other such documents, such combination being obvious to a person skilled in the art 'S*' document member of the same patent family			
Date of the actual completion of the international search <p style="text-align: center;">4 March 2008</p>		Date of mailing of the international search report <p style="text-align: center;">04/04/2008</p>		
Name and mailing address of the ISA/ European Patent Office, P.B. 5818 Patentlaan 2 NL - 2280 HV Rijswijk Tel. (+31-70) 340-2040, Tx. 31 651 epo nl. Fax: (+31-70) 340-3016		Authorized officer <p style="text-align: center;">Kaden, Malte</p>		

INTERNATIONAL SEARCH REPORT

International application No
PCT/US2007/078089

C(Continuation). DOCUMENTS CONSIDERED TO BE RELEVANT		
Category	Citation of document with Indication, where appropriate of the relevant passages	Relevant to claim No
X	US 3 946 731 A (LICHTENSTEIN ERIC S) 30 March 1976 (1976-03-30) figures 4a, 4b, 8 column 4, lines 41-46 column 6, lines 20-25 column 9, lines 30-41 column 12, lines 22-37 -----	1-37, 46-50
X	GB 1 492 387 A (LICHTENSTEIN E) 16 November 1977 (1977-11-16) figures 1-3,7,8 claim 1 page 2, line 102 - page 3, line 33 -----	46-50
X	US 4 161 264 A (JOHNSON BRYAN E [US] ET AL) 17 July 1979 (1979-07-17) figures 1,2 column 2, line 61 - column 3, line 6 column 3, line 66 - column 4, line 46 -----	1-17
A	US 4 676 905 A (NAGAO SHOZO [JP] ET AL) 30 June 1987 (1987-06-30) figures 4-7 -----	51

INTERNATIONAL SEARCH REPORT

Information on patent family members

International application No

PCT/US2007/078089

Patent document cited in search report	Publication date	Patent family member(s)	Publication date
WO 2005044339 A	19-05-2005	EP 1684825 A2	02-08-2006
		JP 2007510473 T	26-04-2007
		US 2008015493 A1	17-01-2008
		US 2008021377 A1	24-01-2008
		us 2005131332 A1	16-06-2005

US 2002147423 A1	10-10-2002	US 2006084906 A1	20-04-2006

us 3946731 A	30-03-1976	NONE	

GB 1492387 A	16-11-1977	BE 819642 A1	31-12-1974
		ZA 7405558 A	29-10-1975

US 4161264 A	17-07-1979	NONE	

US 4676905 A	30-06-1987	JP 1113572 C	16-09-1982
		JP 52072379 A	16-06-1977
		JP 56000082 B	06-01-1981
