



US00D994867S

(12) **United States Design Patent**
Lee

(10) **Patent No.:** **US D994,867 S**

(45) **Date of Patent:** **** Aug. 8, 2023**

(54) **AROMATHERAPY DEVICE**

B01D 46/0017; B01D 46/0027; B01D 46/0035; B01D 46/0036; B01D 46/0047; B01D 46/10

(71) Applicant: **PUZHEN LIFE CO., LTD.**, Hongkong (CN)

See application file for complete search history.

(72) Inventor: **Andy Lee**, Hongkong (CN)

(56) **References Cited**

(73) Assignee: **PUZHEN LIFE CO., LTD.**, Shatin (HK)

U.S. PATENT DOCUMENTS

(**) Term: **15 Years**

D698,429 S * 1/2014 Jorgensen D23/366
D753,279 S * 4/2016 Li D23/366
(Continued)

(21) Appl. No.: **29/844,137**

(22) Filed: **Jun. 27, 2022**

OTHER PUBLICATIONS

(30) **Foreign Application Priority Data**

Dec. 28, 2021 (CN) 202130867814.6

Oil Diffuser. "doTerra Brevi Diffuser" www.youtube.com. Online Consumer Review Video. Fri. Apr. 7, 2023. Shown in pp. 1-10, Model: PZ-UA)84 Full URL: https://www.youtube.com/watch?v=XZDeyPHQIDg (Year: 2020).*

(51) **LOC (14) Cl.** **23-04**

(52) **U.S. Cl.**
USPC **D23/366**

Primary Examiner — Gino Colan
Assistant Examiner — David OBrien

(58) **Field of Classification Search**

(74) *Attorney, Agent, or Firm* — Cantor Colburn LLP

USPC D23/213, 314, 332-336, 341, 355-369, D23/370, 378; D26/26, 40, 46, 49, 97, D26/104, 110, 123, 124, 128; D14/125, D14/188, 194, 195, 204, 210-216, 221, D14/228, 240, 253, 348, 350, 358, 496; D21/332; D11/143, 145, 146, 152, 153; D6/334, 335, 336, 349, 355; D7/532
CPC A61L 9/03; A61L 9/04; A61L 9/05; A61L 9/12; A61L 9/14; A61L 9/012; A61L 9/015; A61L 9/048; A61L 9/122; A61L 9/127; A61L 9/205; A61L 2209/11; A61L 2209/14; A61L 2209/133; Y10S 261/03; Y10S 261/04; Y10S 261/17; Y10S 261/22; Y10S 261/43; Y10S 261/65; Y10S 261/88; Y10S 261/89; F24F 1/00; F24F 1/02; F24F 1/022; F24F 5/00; F24F 6/00; F24F 6/02; F24F 6/06; F24F 2006/003; F24F 2006/005; F24F 2006/006; F24F 2006/008; F28D 17/02; B01D 46/00; B01D 46/0009; B01D 46/0012; B01D 46/0013; B01D 46/0015;

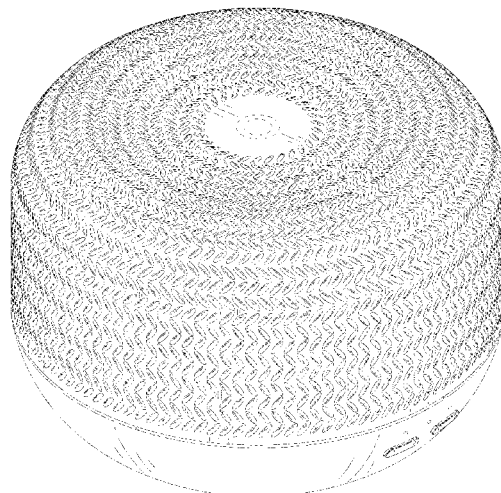
(57) **CLAIM**

The ornamental design for an aromatherapy device, as shown and described.

DESCRIPTION

FIG. 1 is a top, front, and left perspective view of an aromatherapy device;
FIG. 2 is a bottom, rear, and right perspective view of the aromatherapy device;
FIG. 3 is a front view thereof;
FIG. 4 is a rear view thereof;
FIG. 5 is a left side view thereof;
FIG. 6 is a right side view thereof;
FIG. 7 is a top view thereof; and,
FIG. 8 is a bottom view thereof.
The broken lines in the figures depict portions of the aromatherapy device that form no part of the claimed design.

1 Claim, 8 Drawing Sheets



(56)

References Cited

U.S. PATENT DOCUMENTS

D861,847 S *	10/2019	Li	D23/366
D870,258 S *	12/2019	Song	D23/366
D882,747 S *	4/2020	Li	D23/366
D916,051 S *	4/2021	Wang	D14/216
D921,171 S *	6/2021	He	D23/336
D925,720 S *	7/2021	Lee	D23/366
D967,946 S *	10/2022	Lee	D23/366

* cited by examiner



FIG. 1

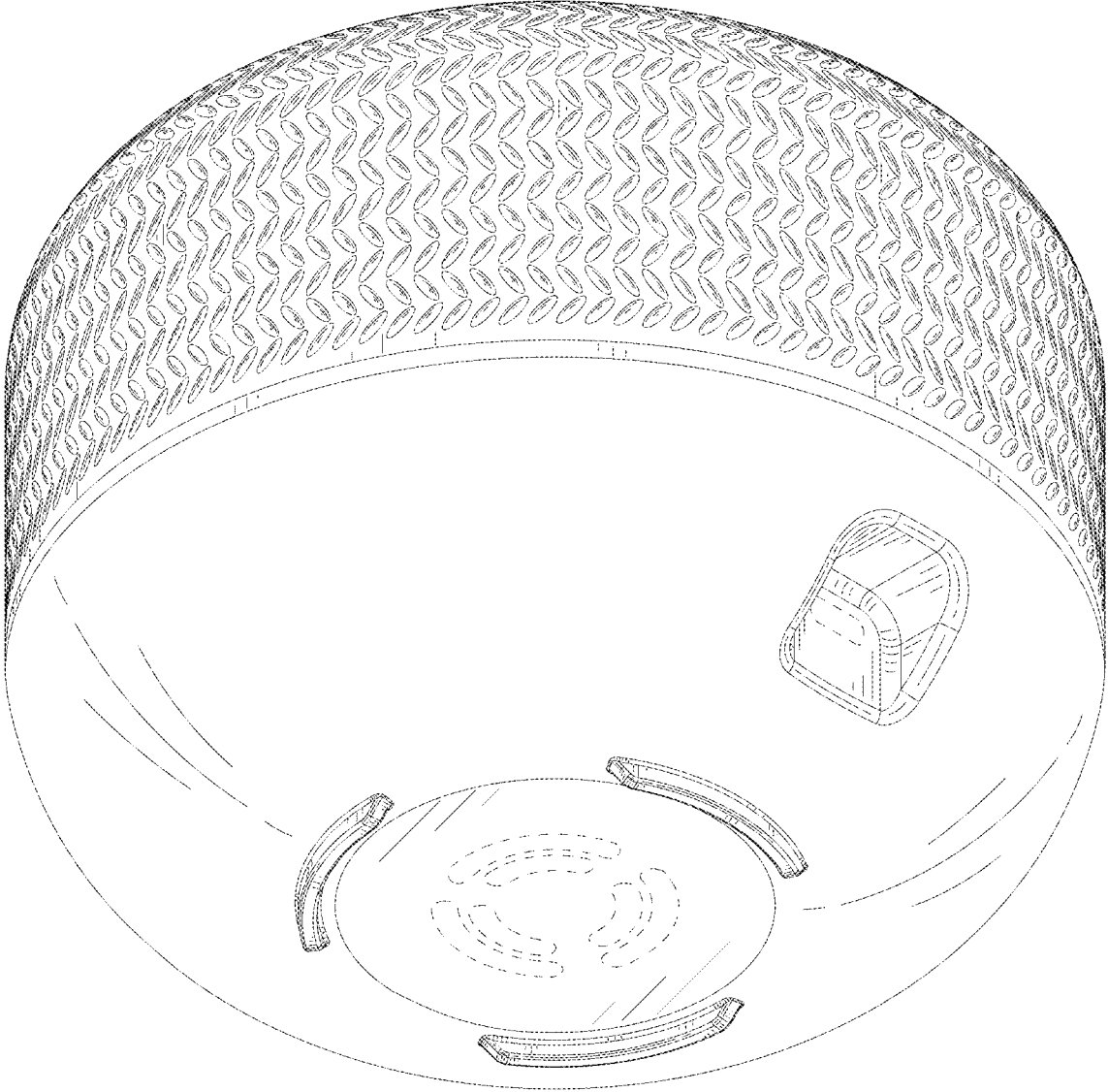


FIG. 2

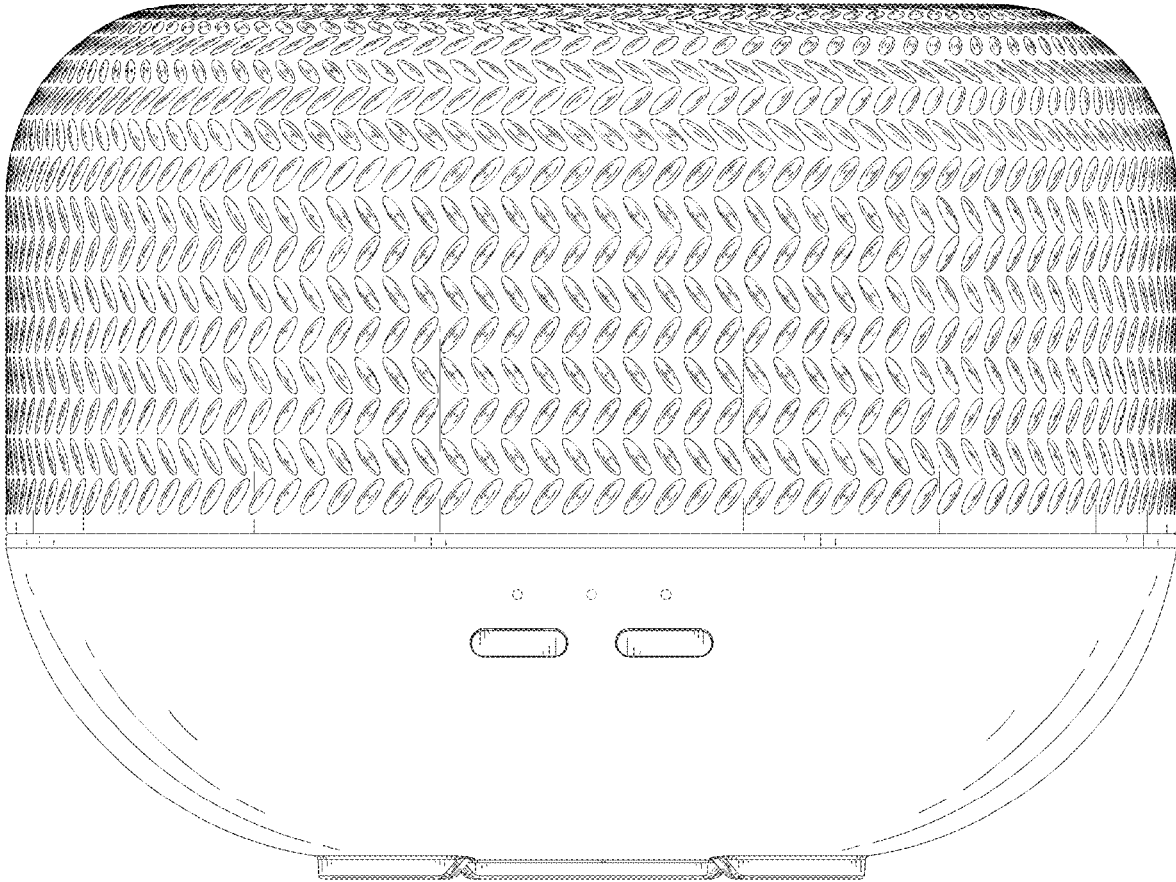


FIG.3

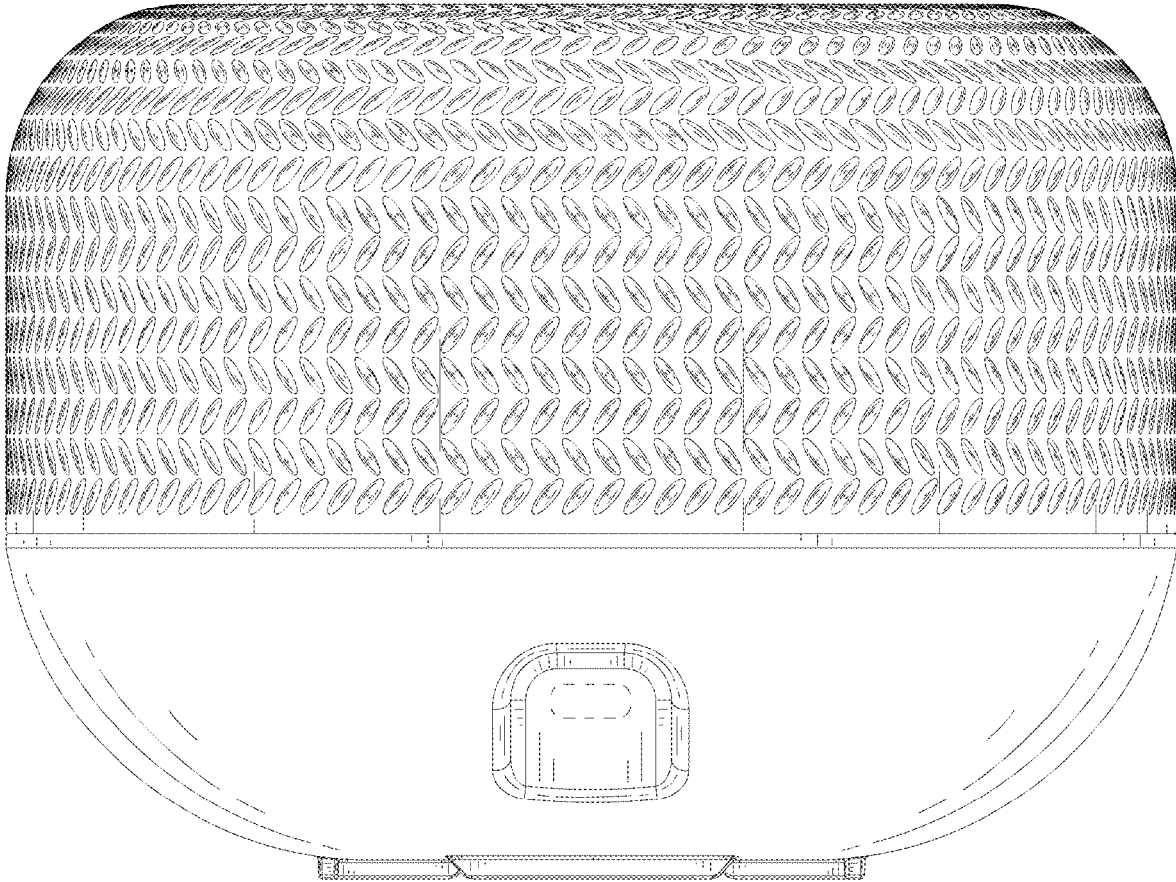


FIG. 4

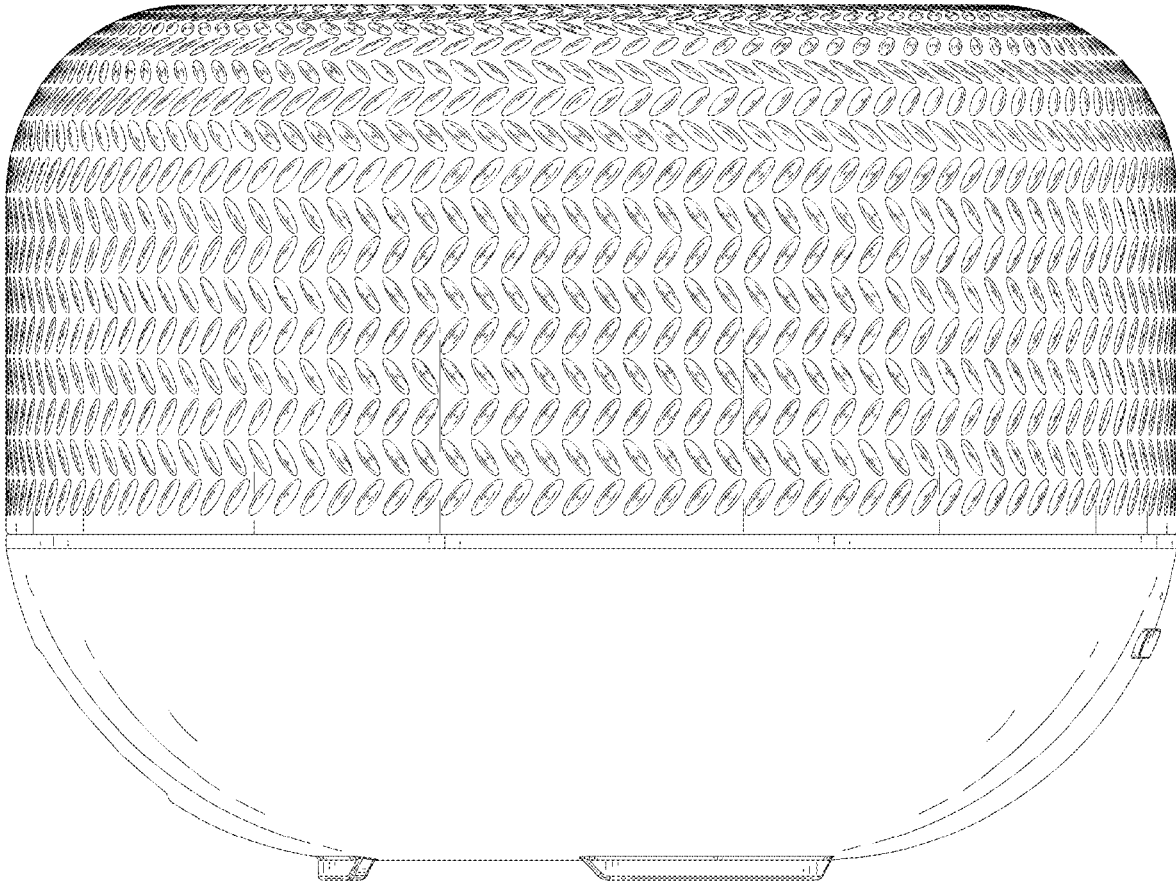


FIG. 5

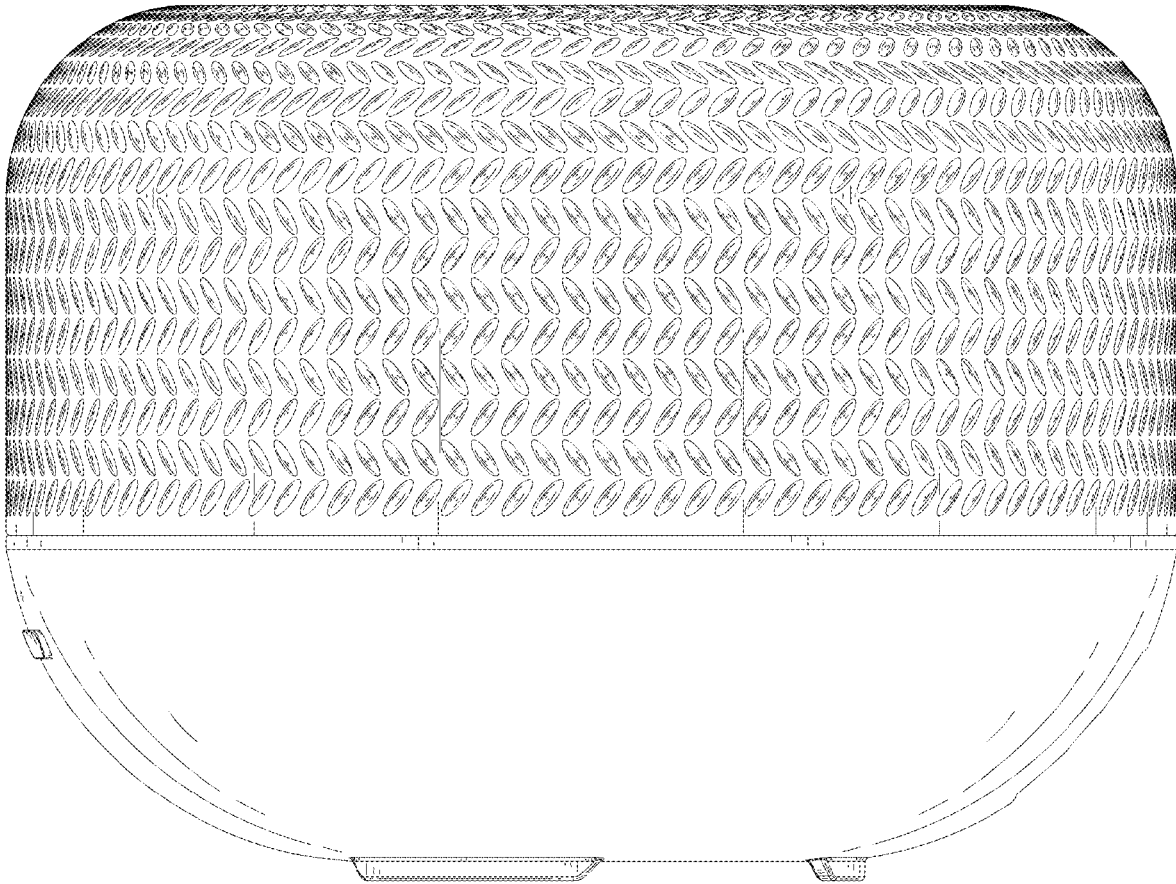


FIG.6

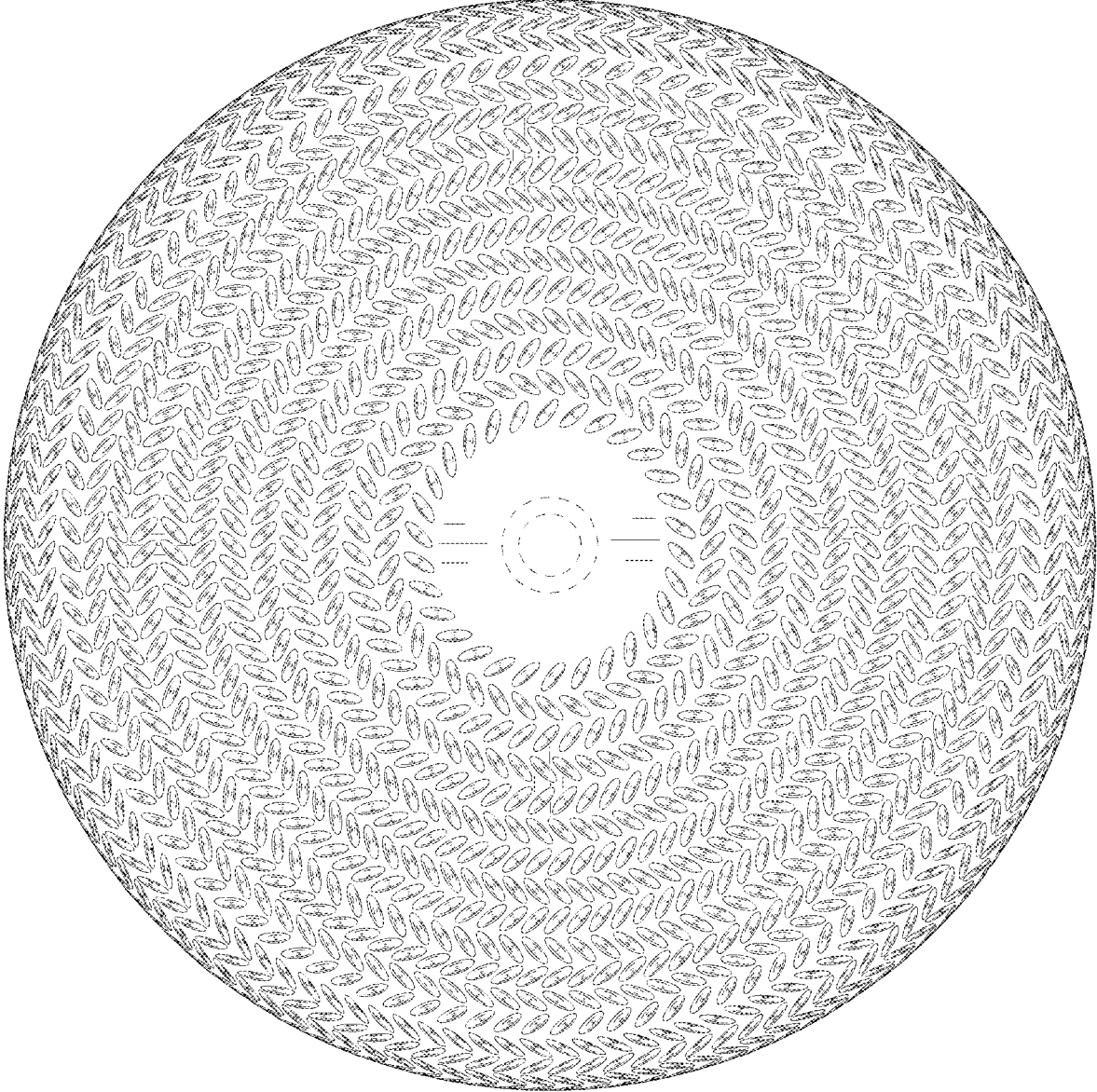


FIG. 7

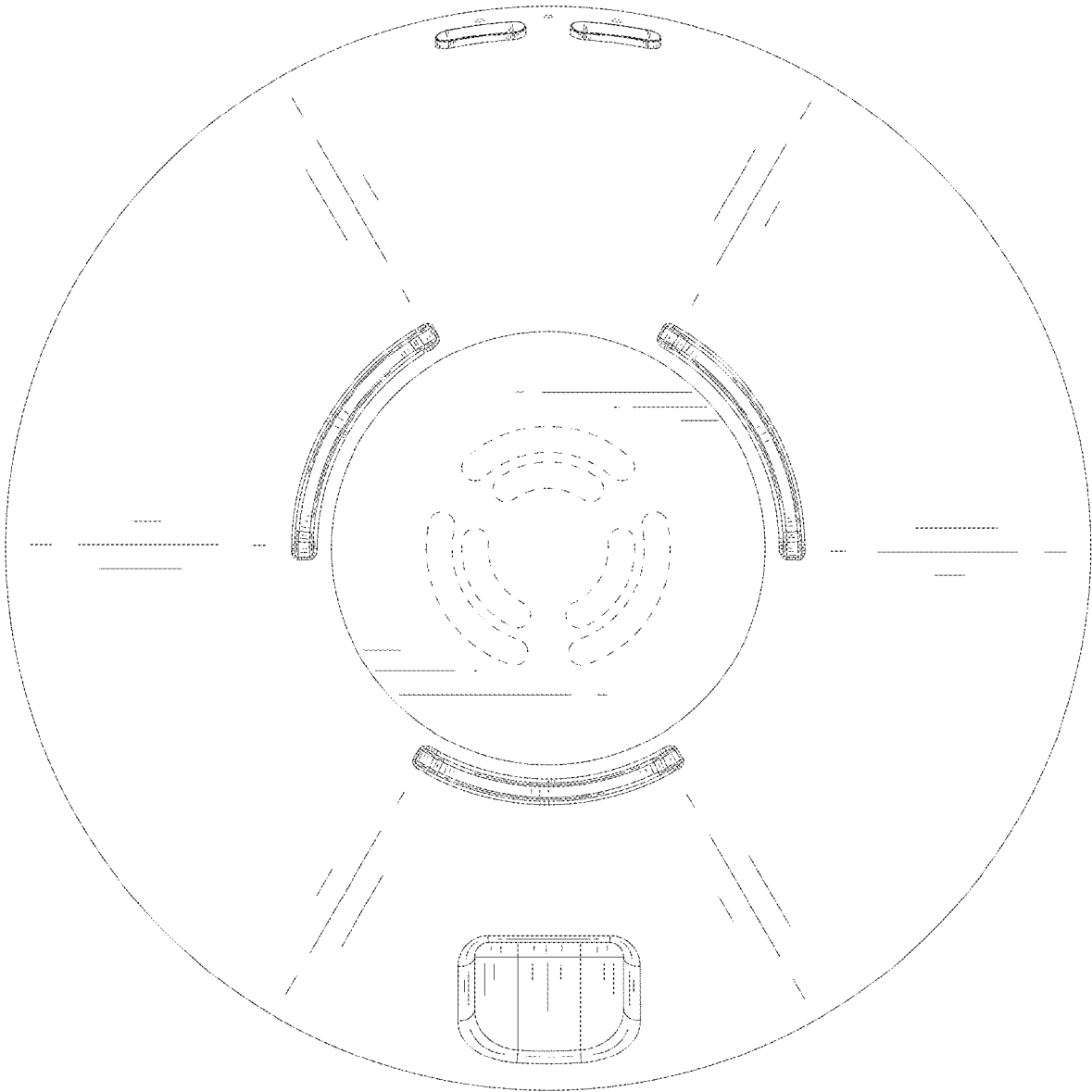


FIG. 8