



US00D454827S

(12) **United States Design Patent**
Pfeiffer et al.

(10) **Patent No.:** **US D454,827 S**

(45) **Date of Patent:** **** Mar. 26, 2002**

(54) **FRONT FACE OF A VEHICLE WHEEL**

(75) Inventors: **Peter Pfeiffer**, Boeblingen; **Murat Guenak**, Ehningen; **Hans-Dieter Futschik**, Gechingen, all of (DE)

(73) Assignee: **DaimlerChrysler AG**, Stuttgart (DE)

(**) Term: **14 Years**

(21) Appl. No.: **29/144,674**

(22) Filed: **Jul. 10, 2001**

(30) **Foreign Application Priority Data**

Jan. 11, 2001 (DE) 4 01 00 128

(51) **LOC (7) Cl.** **12-16**

(52) **U.S. Cl.** **D12/211**

(58) **Field of Search** D12/204-211;
301/37.1, 64.1, 65

(56) **References Cited**

U.S. PATENT DOCUMENTS

D287,960 S * 1/1987 Boyer D12/211
D288,086 S * 2/1987 Envall et al. D12/209

D324,200 S * 2/1992 Lorinser D12/211
D363,457 S * 10/1995 Coddington D12/211
D384,629 S * 10/1997 Nagashima D12/209
D388,760 S * 1/1998 Sacco et al. D12/209
D405,410 S * 2/1999 Goplen D12/211
D408,775 S * 4/1999 Shikado D12/209
D441,708 S * 5/2001 Pfeiffer D12/211

* cited by examiner

Primary Examiner—Stacia Cadmus

(74) *Attorney, Agent, or Firm*—Crowell & Moring LLP

(57) **CLAIM**

The ornamental design for a front face of a vehicle wheel, as shown and described.

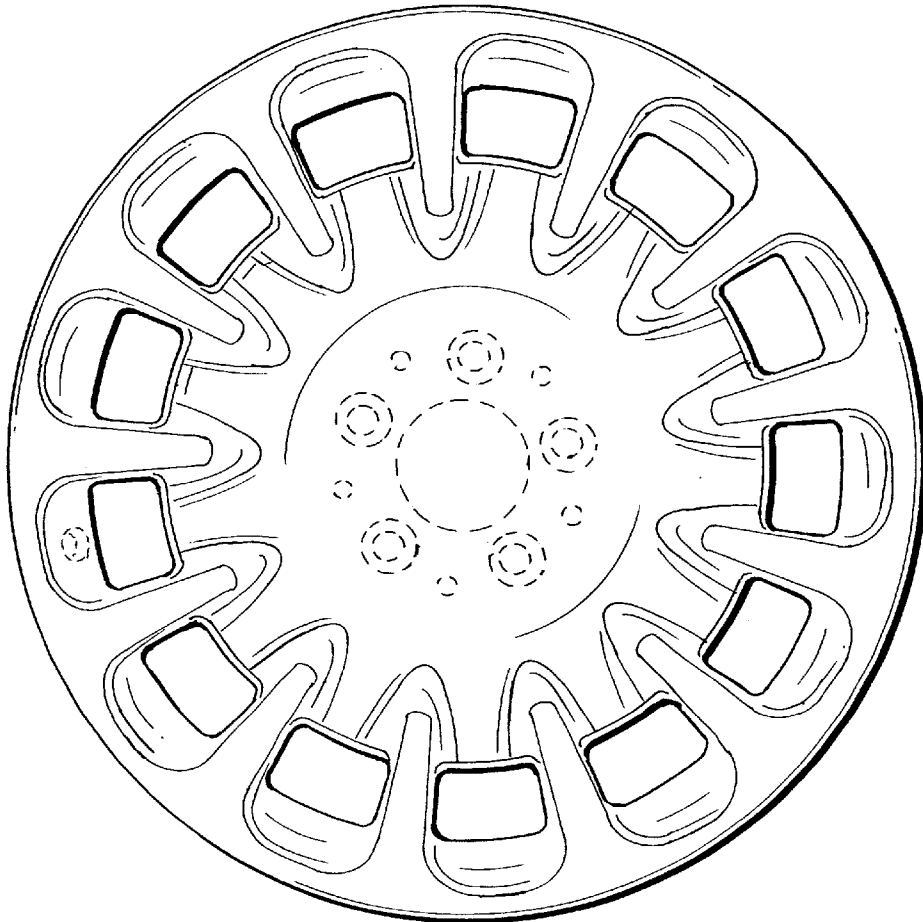
DESCRIPTION

FIG. 1 is a front view of a front face of a vehicle wheel according to our novel design; and,

FIG. 2 is a perspective view of the front face of a vehicle wheel according to our novel design.

The dash lines included depict environment and are not part of the claimed design.

1 Claim, 1 Drawing Sheet



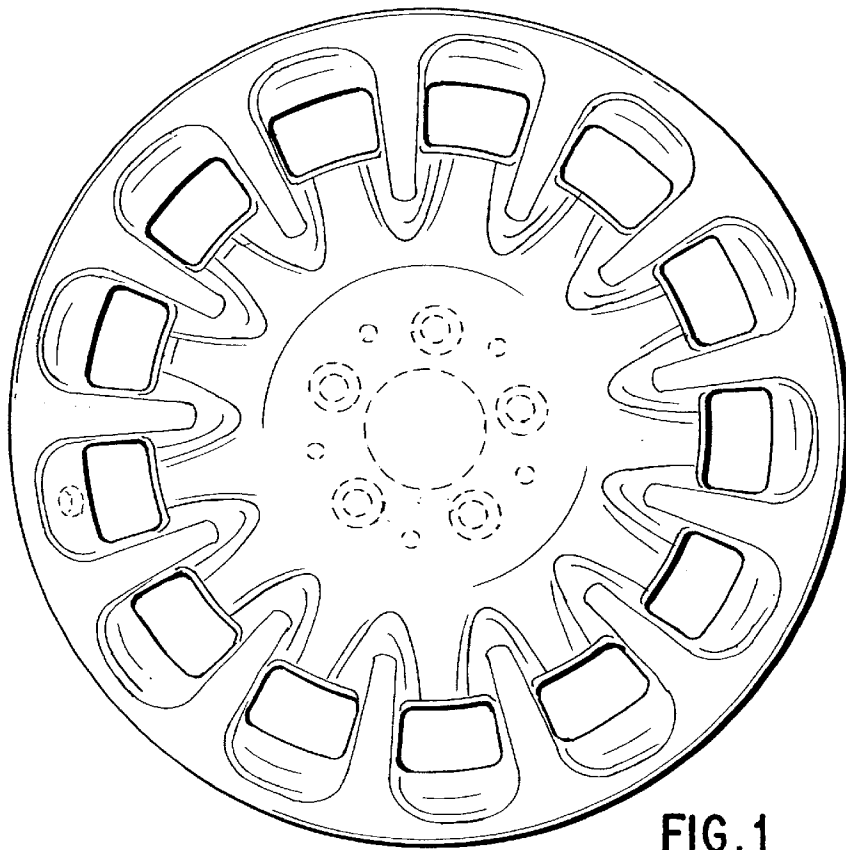


FIG. 1

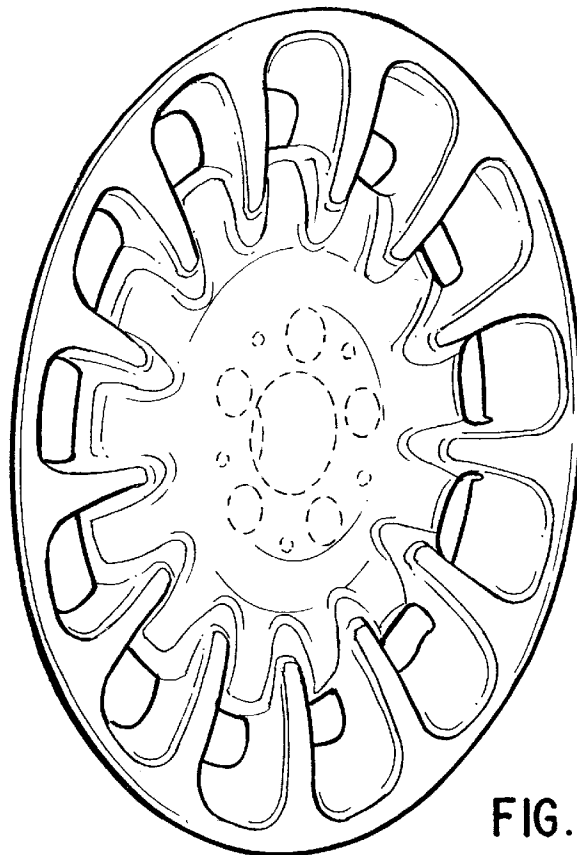


FIG. 2