



US00D479305S

(12) **United States Design Patent** (10) **Patent No.:** **US D479,305 S**
Zittel et al. (45) **Date of Patent:** **** Sep. 2, 2003**

(54) **PLURAL COMPONENT SPRAY GUN**

D191,966 S * 12/1961 Myers D23/223
D459,786 S * 7/2002 Sweeton D23/226

(75) Inventors: **Douglas P. Zittel**, Brooklyn Park, MN (US); **Michael J. Sebion**, Apple Valley, MN (US); **Richard D. Anderson**, Maple Grove, MN (US); **Peter L. Linder**, North Branch, MN (US); **Christopher Pellin**, Burnsville, MN (US); **Mark T. Weinberger**, Mounds View, MN (US); **Mark C. Richter**, River Falls, WI (US)

* cited by examiner

Primary Examiner—Robin V. Taylor
(74) *Attorney, Agent, or Firm*—Douglas B. Farrow

(73) Assignee: **Graco Minnesota Inc.**, Minneapolis, MN (US)

(**) Term: **14 Years**

(21) Appl. No.: **29/169,516**

(22) Filed: **Oct. 22, 2002**

(51) **LOC (7) Cl.** **23-01**

(52) **U.S. Cl.** **D23/226**

(58) **Field of Search** D23/213, 223, D23/226; 239/301, 690, 691

(56) **References Cited**

U.S. PATENT DOCUMENTS

1,654,059 A * 12/1927 Urbach 239/415

(57) **CLAIM**

The ornamental design for the plural component spray gun, as shown and described.

DESCRIPTION

FIG. 1 is a front elevation view of the plural component spray gun;

FIG. 2 is a rear elevation view thereof;

FIG. 3 is a left side elevation view thereof;

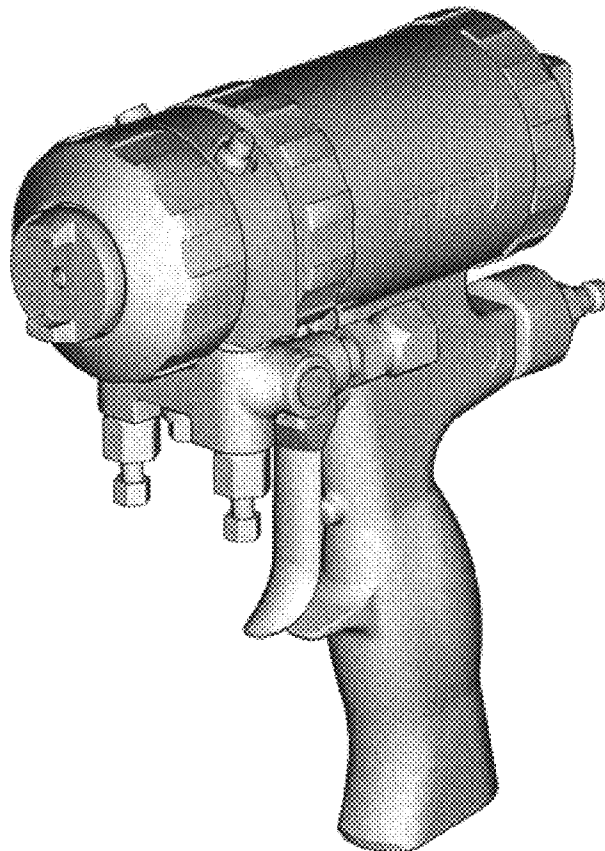
FIG. 4 is a right side elevation view thereof;

FIG. 5 is a top plan view thereof;

FIG. 6 is a bottom plan view thereof; and,

FIG. 7 is a front perspective view thereof.

1 Claim, 7 Drawing Sheets



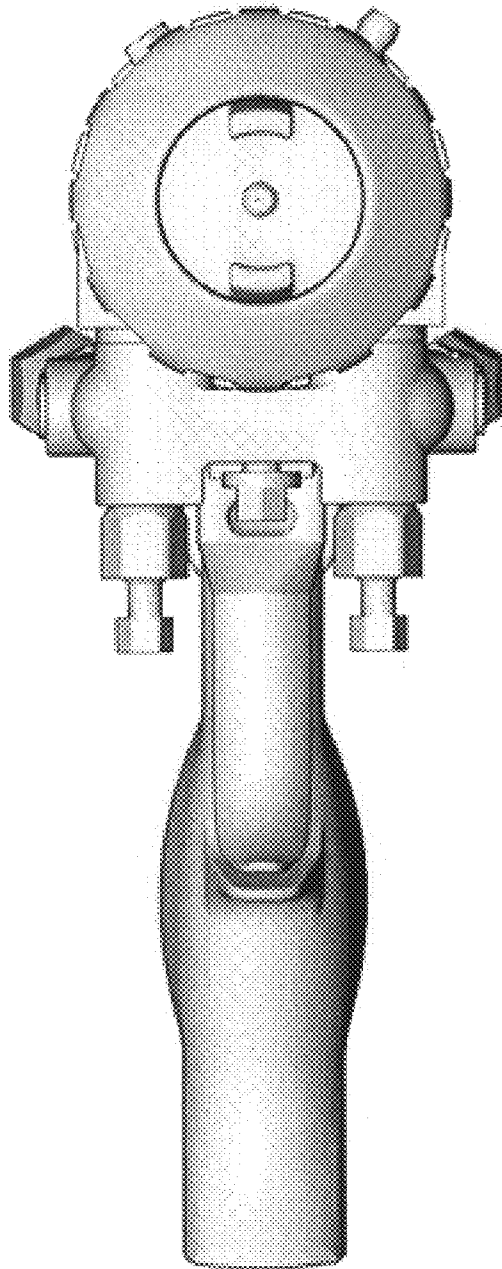


Figure 1

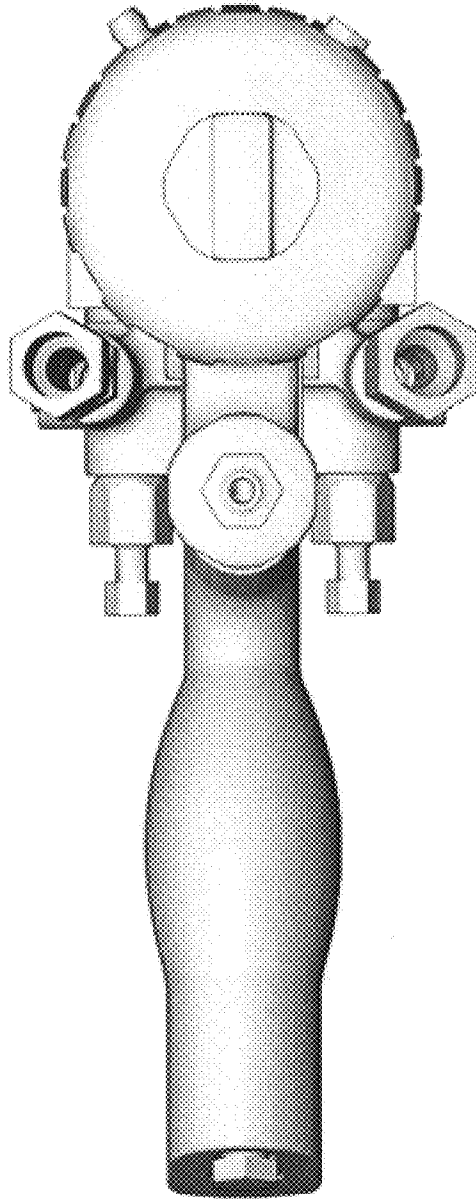


Figure 2

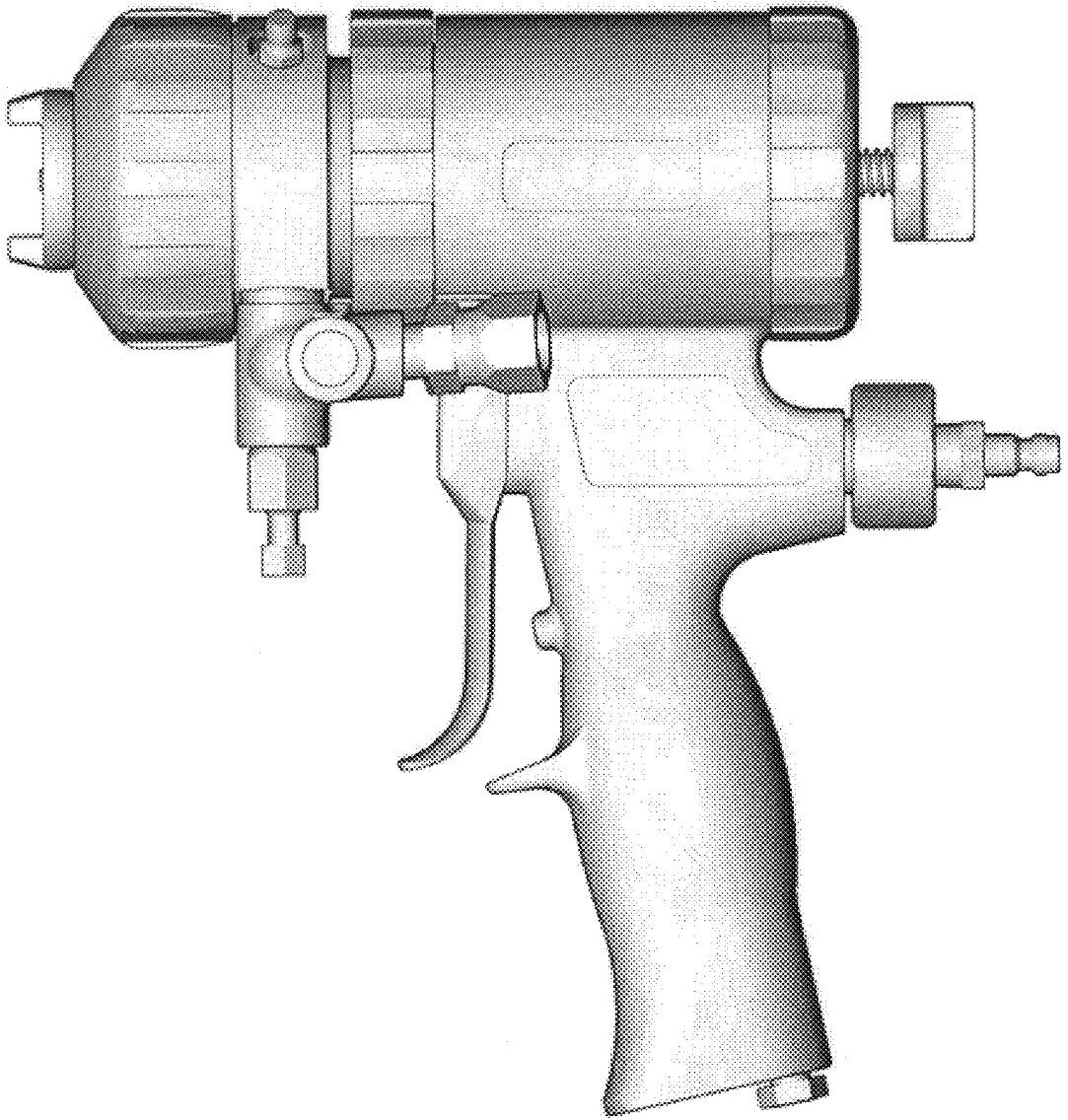


Figure 3

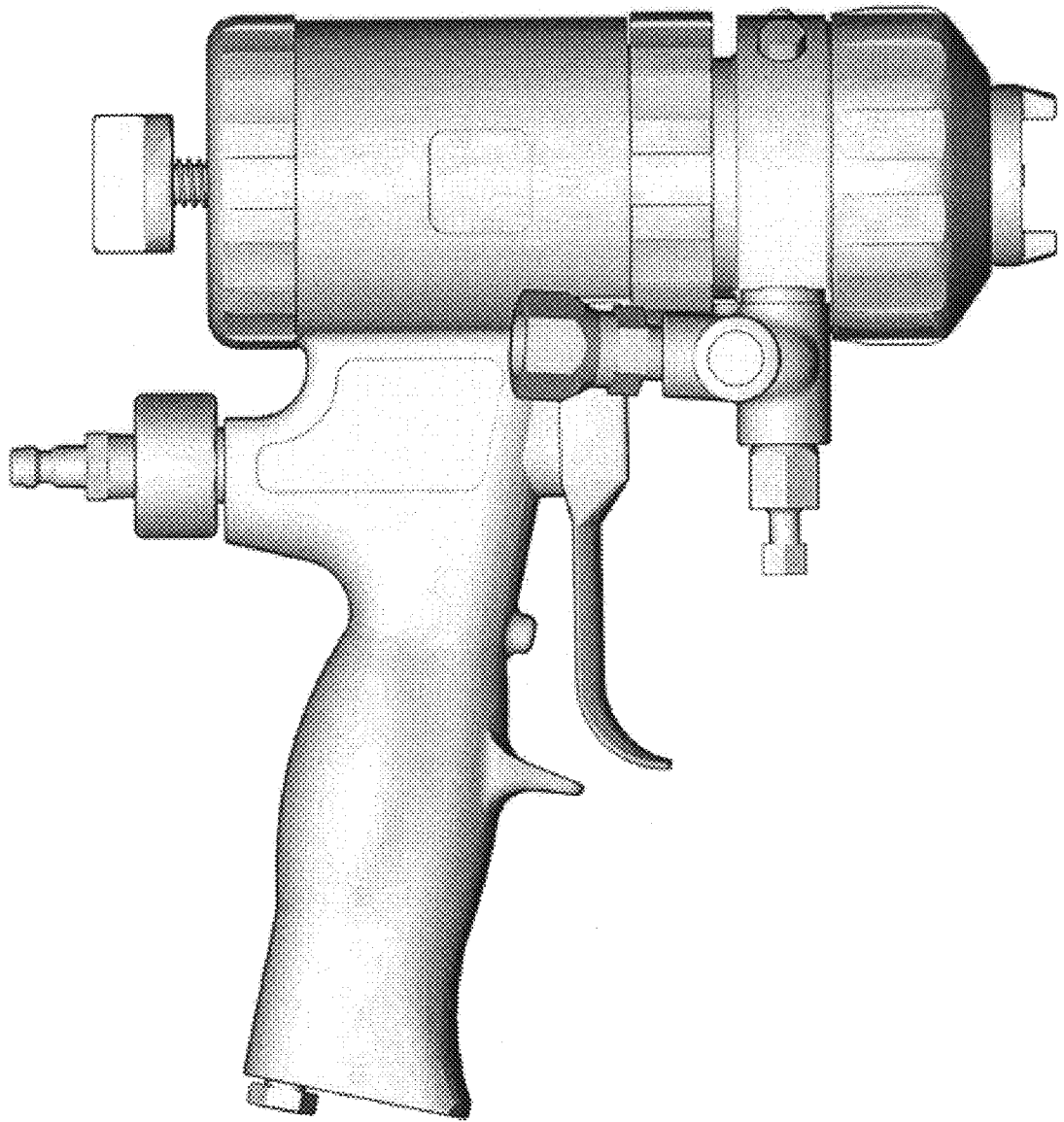


Figure 4

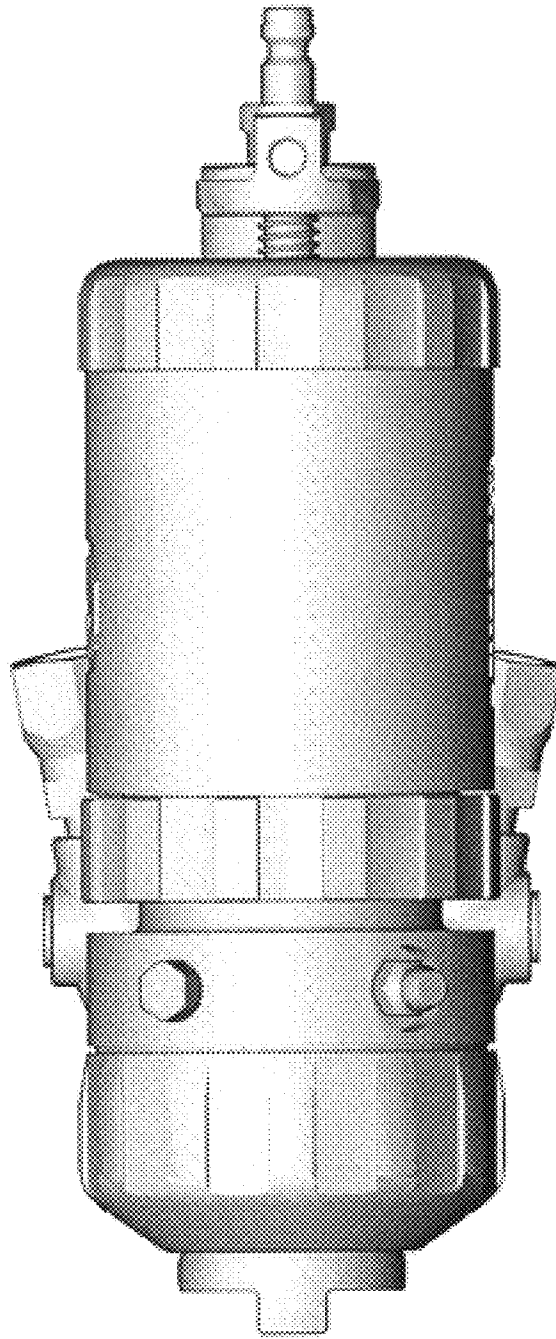


Figure 5

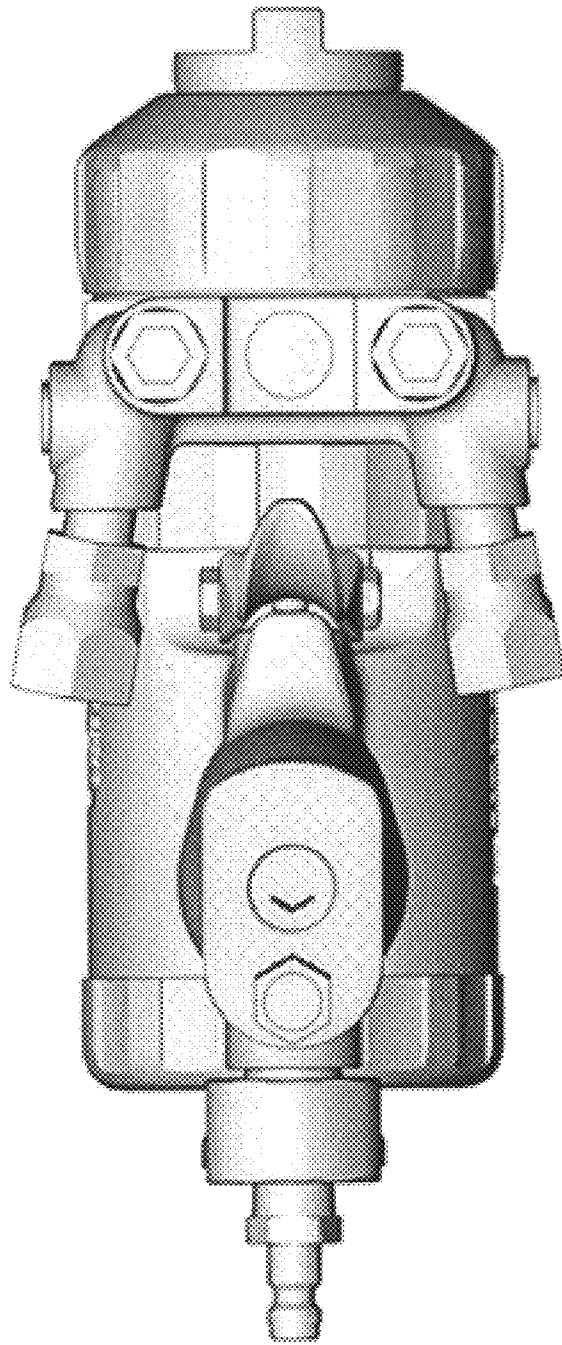


Figure 6

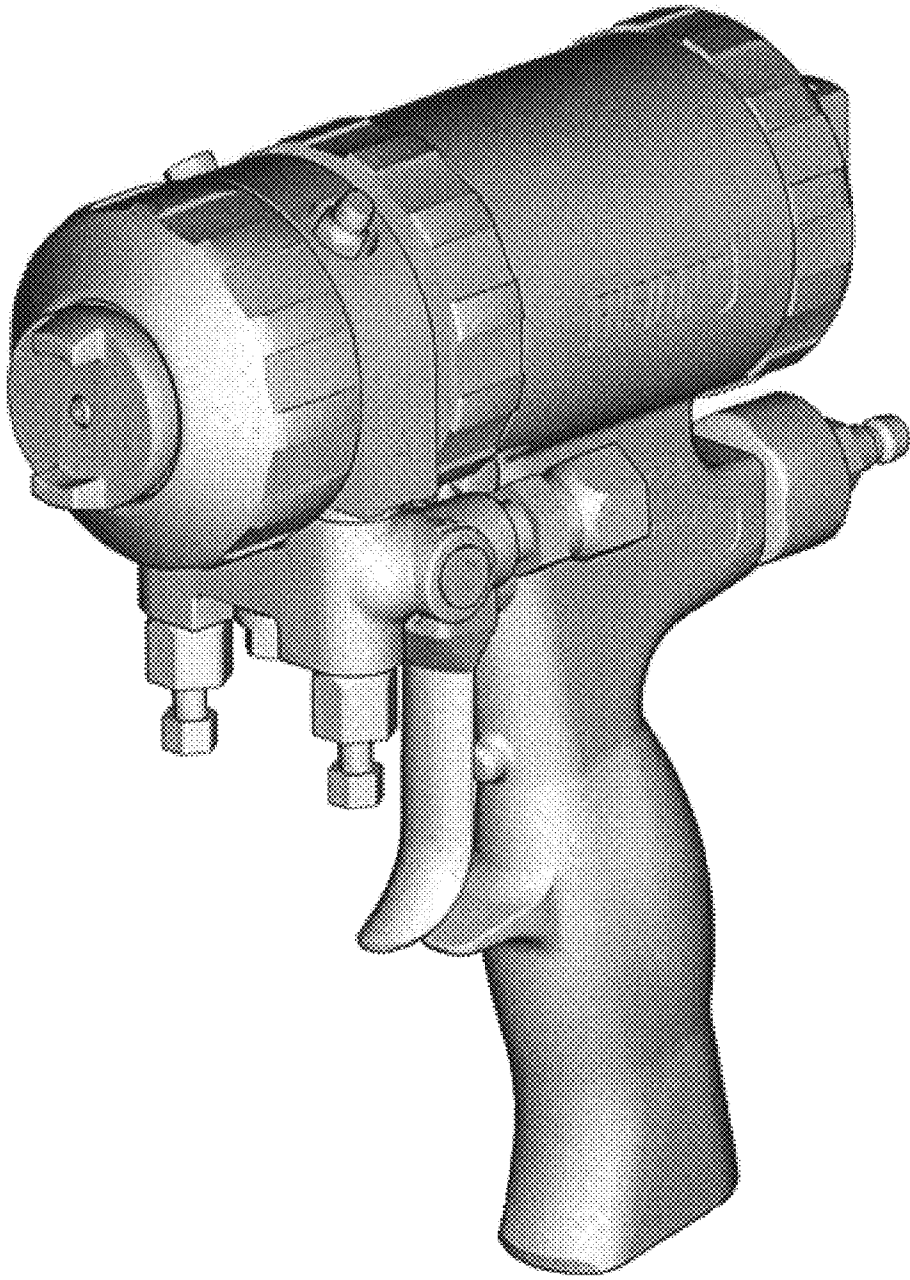


Figure 7