



US00D899226S

(12) **United States Design Patent**
Frydenger

(10) **Patent No.:** **US D899,226 S**

(45) **Date of Patent:** **** Oct. 20, 2020**

- (54) **SUCTION CUP MOUNT**
- (71) Applicant: **Luke Frydenger**, Boulder, CO (US)
- (72) Inventor: **Luke Frydenger**, Boulder, CO (US)
- (73) Assignee: **AYLO LLC**, Boulder, CO (US)
- (**) Term: **15 Years**
- (21) Appl. No.: **29/704,954**
- (22) Filed: **Sep. 9, 2019**

5,235,500 A 8/1993 Sapper
 5,392,162 A 2/1995 Glucksman
 D379,125 S 5/1997 Simjian

(Continued)

FOREIGN PATENT DOCUMENTS

CA 147356 S 4/2013
 CN 302432849 S 5/2013

(Continued)

OTHER PUBLICATIONS

“My Beauty Light” retrieved from the internet on Aug. 28, 2019
 <<https://www.my-beauty-light.de/en/>>.

(Continued)

Primary Examiner — Janice Hallmark
Assistant Examiner — Harold E Blackwell, II
 (74) *Attorney, Agent, or Firm* — Haynes and Boone, LLP

(57) **CLAIM**

The ornamental design for the suction cup mount, as shown and described.

DESCRIPTION

FIG. 1 shows a front perspective view of a suction cup mount;
 FIG. 2 shows a front view of a suction cup mount of FIG. 1;
 FIG. 3 shows a rear view of the suction cup mount of FIG. 1;
 FIG. 4 shows a right view of the suction cup mount of FIG. 1;
 FIG. 5 shows a left view of the suction cup mount of FIG. 1;
 FIG. 6 shows a top view of the suction cup mount of FIG. 1; and,
 FIG. 7 shows a bottom view of the suction cup mount of FIG. 1.

1 Claim, 5 Drawing Sheets

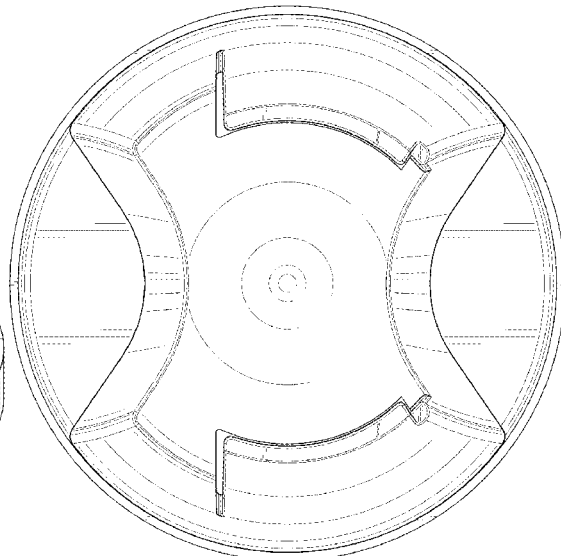
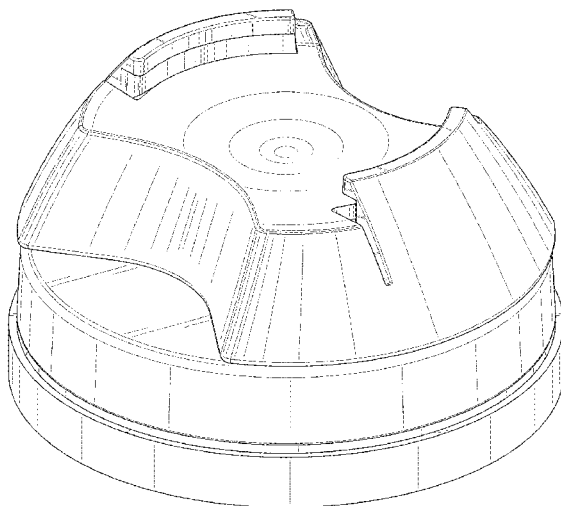
Related U.S. Application Data

- (63) Continuation-in-part of application No. 16/606,633, filed on Oct. 15, 2018.
- (51) **LOC (12) Cl.** **08-05**
- (52) **U.S. Cl.**
USPC **D8/354**
- (58) **Field of Classification Search**
USPC D8/60, 61, 77, 82, 342, 349, 354, 355,
D8/356, 357, 382, 396, 499
CPC F16B 47/003; F16B 47/006; A47G 1/16;
A47G 1/17; A45D 42/14
See application file for complete search history.

References Cited

U.S. PATENT DOCUMENTS

484,964 A 10/1892 Hills
 D44,537 S 8/1913 McIsaac
 1,138,552 A 5/1915 Goddard
 2,004,166 A 6/1925 Low
 D208,234 S 8/1967 Ely
 3,435,199 A 3/1969 Ely
 3,732,702 A 5/1973 Desch
 3,936,671 A 2/1976 Bobrick et al.
 D254,208 S 2/1980 Breslow
 D309,833 S 8/1990 Wahl
 5,104,077 A * 4/1992 Liu F16B 47/00
248/205.8



(56)

References Cited

U.S. PATENT DOCUMENTS

5,690,420 A 11/1997 Saldana, Sr.
D409,003 S 5/1999 Scavini
5,997,149 A 12/1999 Chu
D425,313 S 5/2000 Zadro
D426,182 S 6/2000 Brown
D431,375 S 10/2000 Zadro
6,158,877 A 12/2000 Zadro
6,241,357 B1 6/2001 Lee
6,273,585 B1 8/2001 Wu
6,305,809 B1 10/2001 Zadro
D474,432 S 5/2003 Good
6,604,836 B2 8/2003 Carlucci et al.
6,749,160 B1 6/2004 Richter
6,886,351 B2 5/2005 Palffy et al.
D508,883 S 8/2005 Falconer
D509,369 S 9/2005 Snell
D511,413 S 11/2005 Yue
7,004,599 B2 2/2006 Mullani
7,048,406 B1 5/2006 Shih
7,090,378 B1 8/2006 Zadro
D532,981 S 12/2006 Zadro
7,233,154 B2 6/2007 Groover et al.
7,341,356 B1 3/2008 Zadro
D569,671 S 5/2008 Thompson et al.
7,393,115 B2 7/2008 Tokushita et al.
D574,159 S 8/2008 Howard
7,513,476 B1 4/2009 Huang
D599,192 S * 9/2009 Andren D8/354
D635,009 S 3/2011 Paterson
D639,077 S 6/2011 Gordon
D647,444 S 10/2011 Manukyan et al.
D649,790 S 12/2011 Pitot
D652,220 S 1/2012 Pitot
D656,979 S 4/2012 Yip et al.
D657,425 S 4/2012 Podd
D657,576 S 4/2012 Pitot
8,162,502 B1 4/2012 Zadro
D658,604 S 5/2012 Egawa et al.
D660,367 S 5/2012 Podd
D660,368 S 5/2012 Podd
D660,369 S 5/2012 Podd
D665,030 S 8/2012 Podd
D666,010 S 8/2012 Farley
8,356,908 B1 1/2013 Zadro
8,382,189 B2 2/2013 Li et al.
D679,102 S 4/2013 Gilboe et al.
D689,701 S 9/2013 Mischel, Jr. et al.
D699,448 S 2/2014 Yang et al.
D699,952 S 2/2014 Yang et al.
D701,050 S 3/2014 Yang et al.
D702,048 S 4/2014 Fung
D711,871 S 8/2014 Daniel
D711,874 S 8/2014 Cope
8,801,225 B2 8/2014 Dalsgaard
D712,963 S 9/2014 Fleet
8,915,629 B2 12/2014 Madireddi et al.
D736,001 S 8/2015 Yang et al.
D737,059 S 8/2015 Tsai
D737,060 S 8/2015 Yang et al.
D737,580 S 9/2015 Tsai
D738,118 S 9/2015 Gyanendra et al.
9,232,846 B2 1/2016 Fung
D751,829 S 3/2016 Yang et al.
D754,446 S 4/2016 Yang et al.
9,347,660 B1 5/2016 Zadro

D785,345 S 5/2017 Yang et al.
9,638,410 B2 5/2017 Yang
D833,852 S * 11/2018 Umholtz D8/354
D885,164 S * 5/2020 Frydenger D8/349
D885,165 S * 5/2020 Frydenger D8/349
2002/0196333 A1 12/2002 Gorischek
2003/0030063 A1 2/2003 Sosniak et al.
2003/0031010 A1 2/2003 Sosniak et al.
2004/0020509 A1 2/2004 Waisman
2005/0243556 A1 11/2005 Lynch
2006/0186314 A1 8/2006 Leung
2007/0120027 A1 5/2007 Chang
2008/0130305 A1 6/2008 Wang et al.
2008/0258110 A1 10/2008 Oshio
2008/0298080 A1 12/2008 Wu et al.
2009/0027902 A1 1/2009 Fielding et al.
2009/0301927 A1 12/2009 Fvlbrook et al.
2009/0308993 A1 12/2009 Chang
2010/0118520 A1 5/2010 Stern et al.
2010/0296298 A1 11/2010 Martin, Jr.
2011/0058269 A1 3/2011 Su
2011/0163211 A1 7/2011 Cicco
2011/0211079 A1 9/2011 Rolston
2011/0261568 A1 10/2011 Dalsgaard
2012/0229789 A1 9/2012 Kang et al.
2012/0292466 A1 11/2012 Song
2013/0026512 A1 1/2013 Tsai
2013/0077292 A1 3/2013 Zimmerman
2013/0190845 A1 7/2013 Liu et al.
2013/0235610 A1 9/2013 Yang et al.
2014/0362562 A1 12/2014 Fung
2015/0060431 A1 3/2015 Yang et al.
2016/0255941 A1 9/2016 Yang et al.
2017/0054885 A1 2/2017 Rolston
2017/0118385 A1 4/2017 Vargas et al.
2018/0268747 A1 9/2018 Braun
2020/0116193 A1* 4/2020 Frydenger F16B 47/00

FOREIGN PATENT DOCUMENTS

DE 20014279 U1 2/2001
DE 102004042929 A1 3/2006
DE 202009004795 U1 9/2009
DE 202010000170 U1 7/2010
EP 1792553 A2 6/2007
EP 2636336 A1 9/2013
JP 2008073174 A 4/2008
JP 2016-177963 A 10/2016
WO WO 2017019610 A1 2/2017
WO WO 2017162504 A1 9/2017

OTHER PUBLICATIONS

“Studio Glow Make Up Light Bright 4 LED Bulbs Battery Powered” retrieved from the internet on Aug. 28, 2019 < <https://www.lelong.com.my/studio-glow-light-super-bright-4-led-bulbs-battery-powered-gdeal-F1350601-2007-01-Sale-1.htm>>.
International Search Report and Written Opinion dated Jan. 14, 2020 issued in related PCT App. No. PCT/US19/56391 (14 pages).
International Search Report and Written Opinion dated Jan. 10, 2020 issued in related PCT App. No. PCT/US19/56392 (14 pages).
“New Popsocket Cell Phone Accessorie for iPhone, Samsung, Android” (Pop Mount) Jul. 5, 2018 (Jul. 5, 2018) [online] retrieved from (URL:<https://www.youtube.com/watch?v=oLv-osdCnY>) entire document.

* cited by examiner

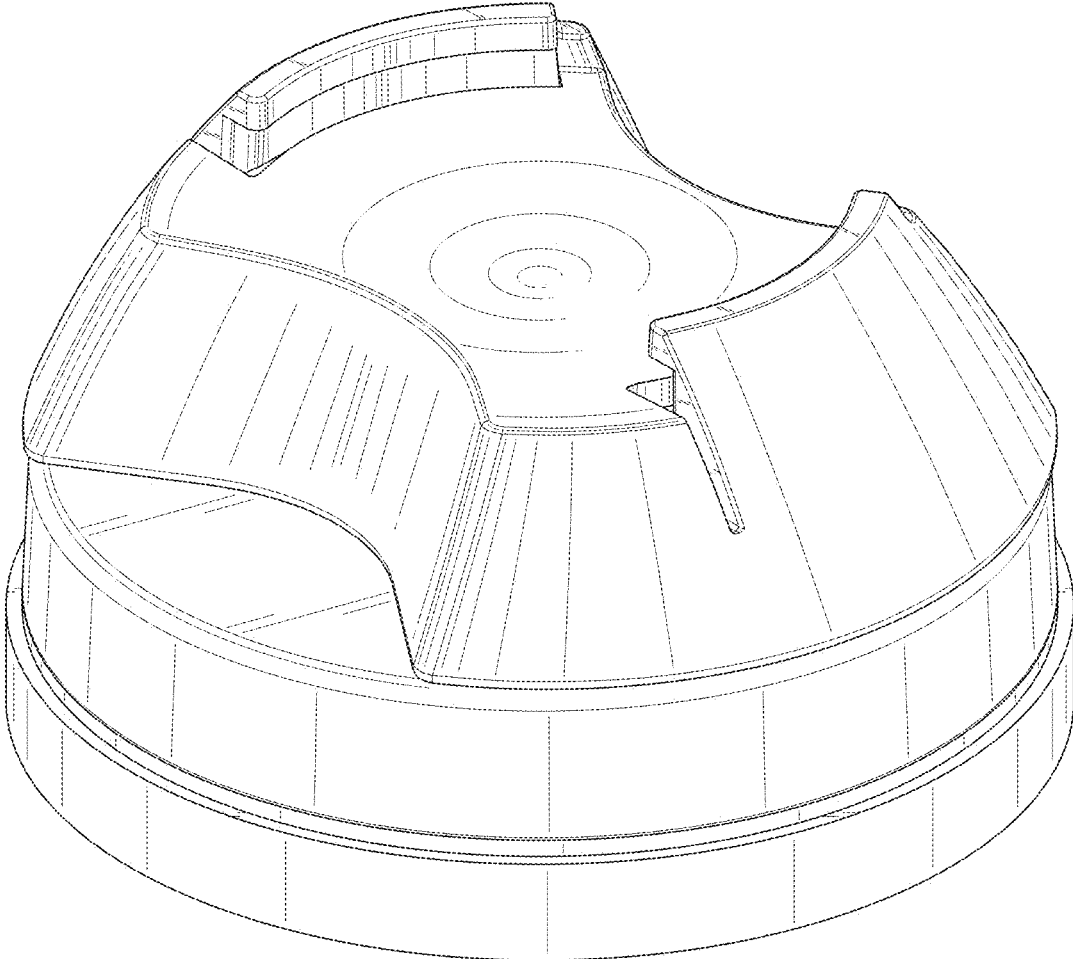


FIG. 1

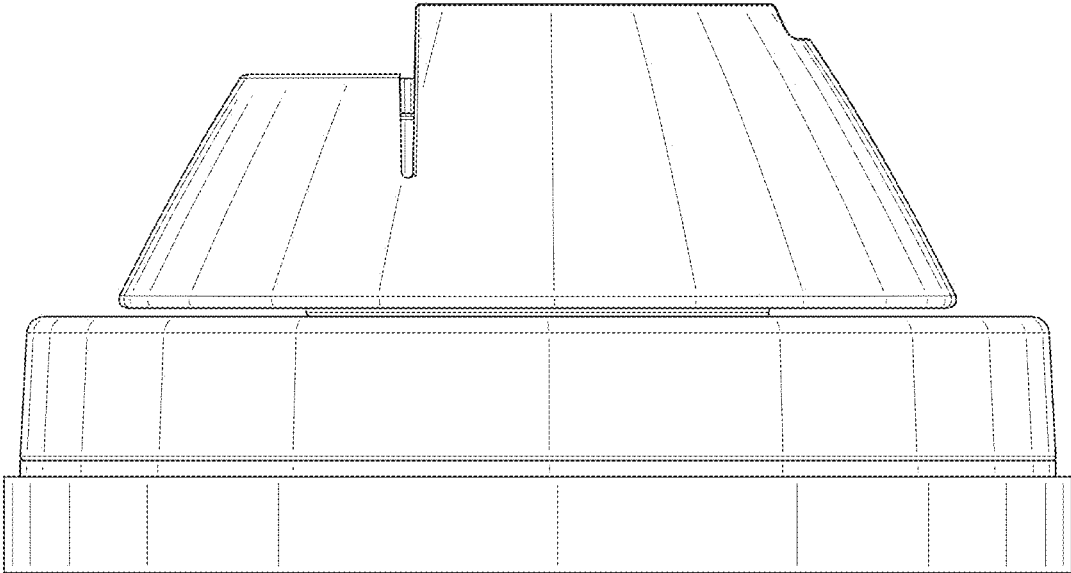


FIG. 2

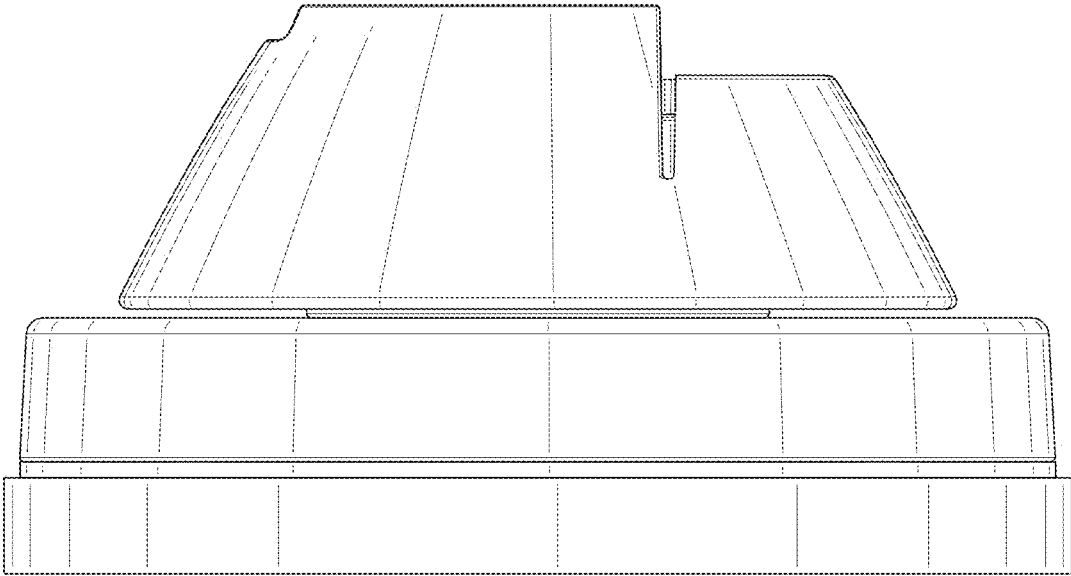


FIG. 3

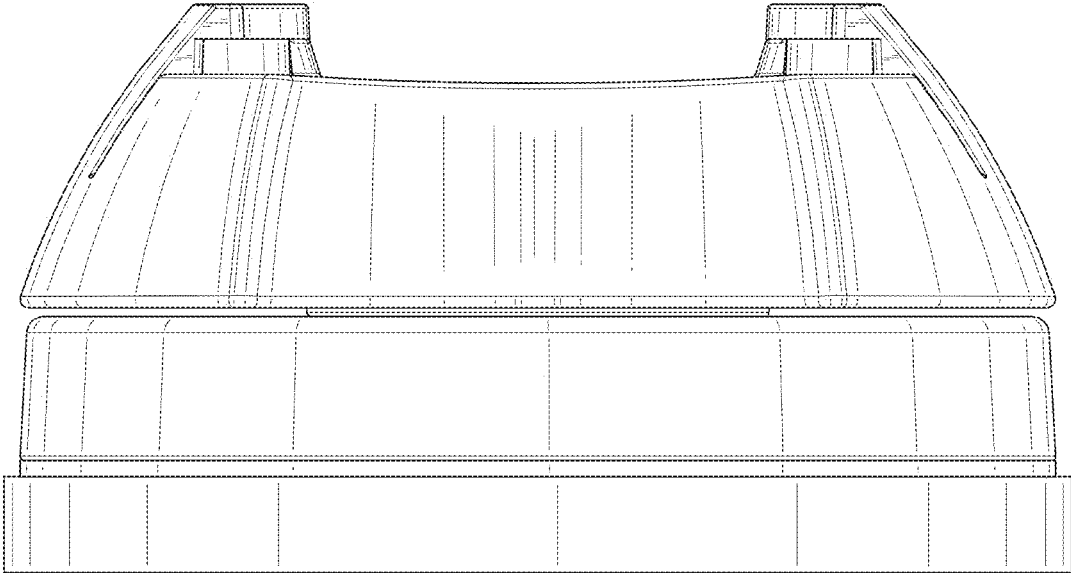


FIG. 4

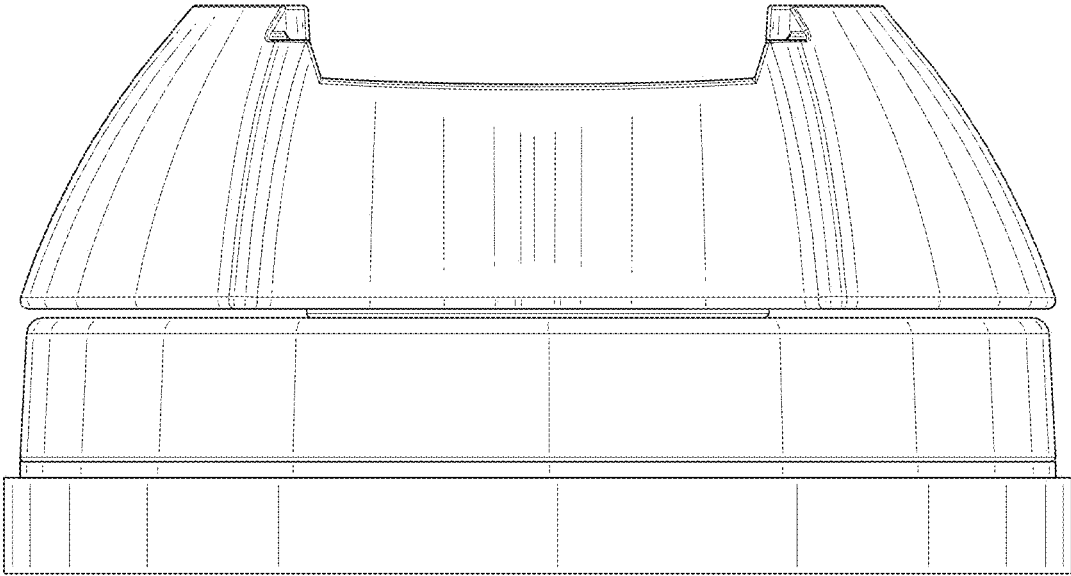


FIG. 5

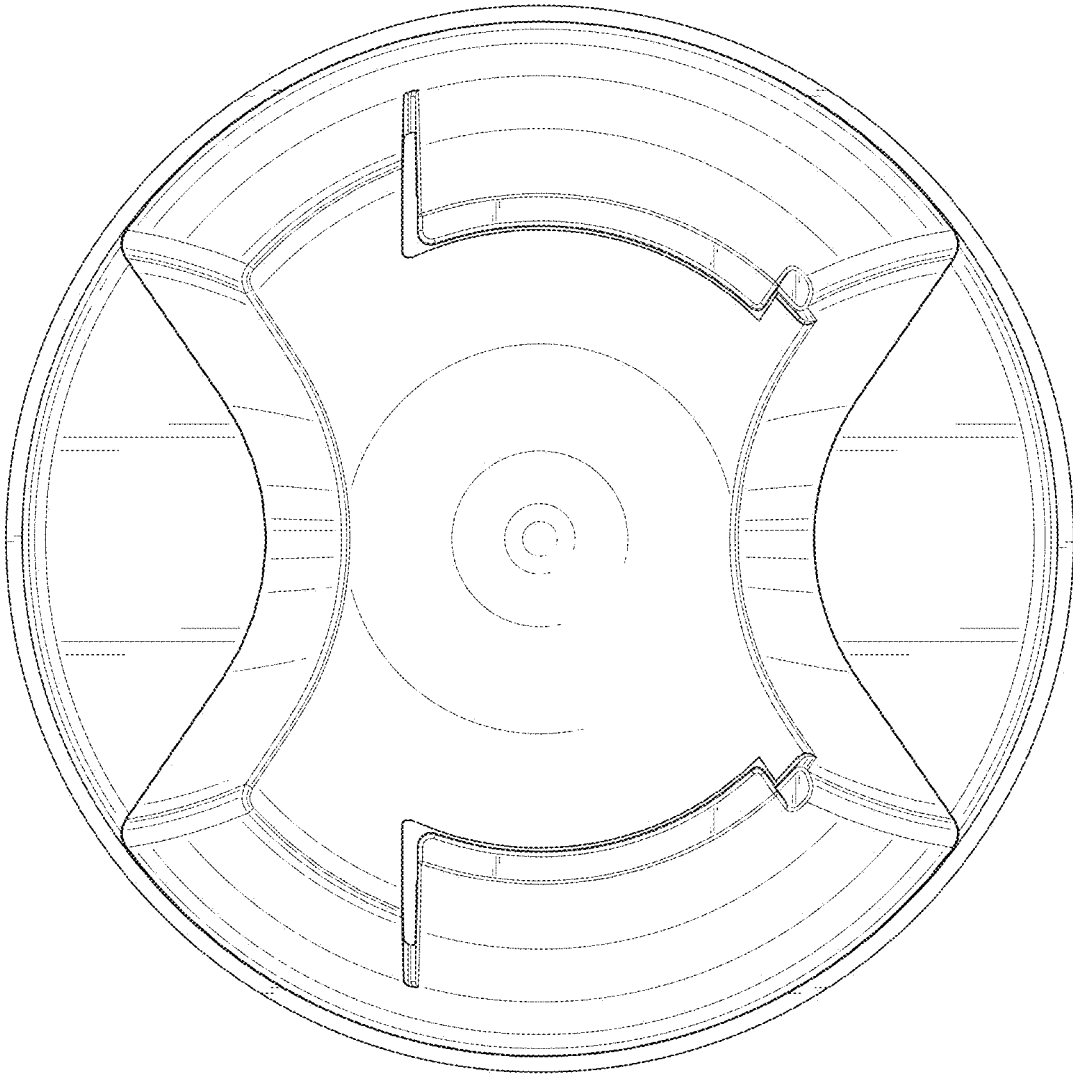


FIG. 6

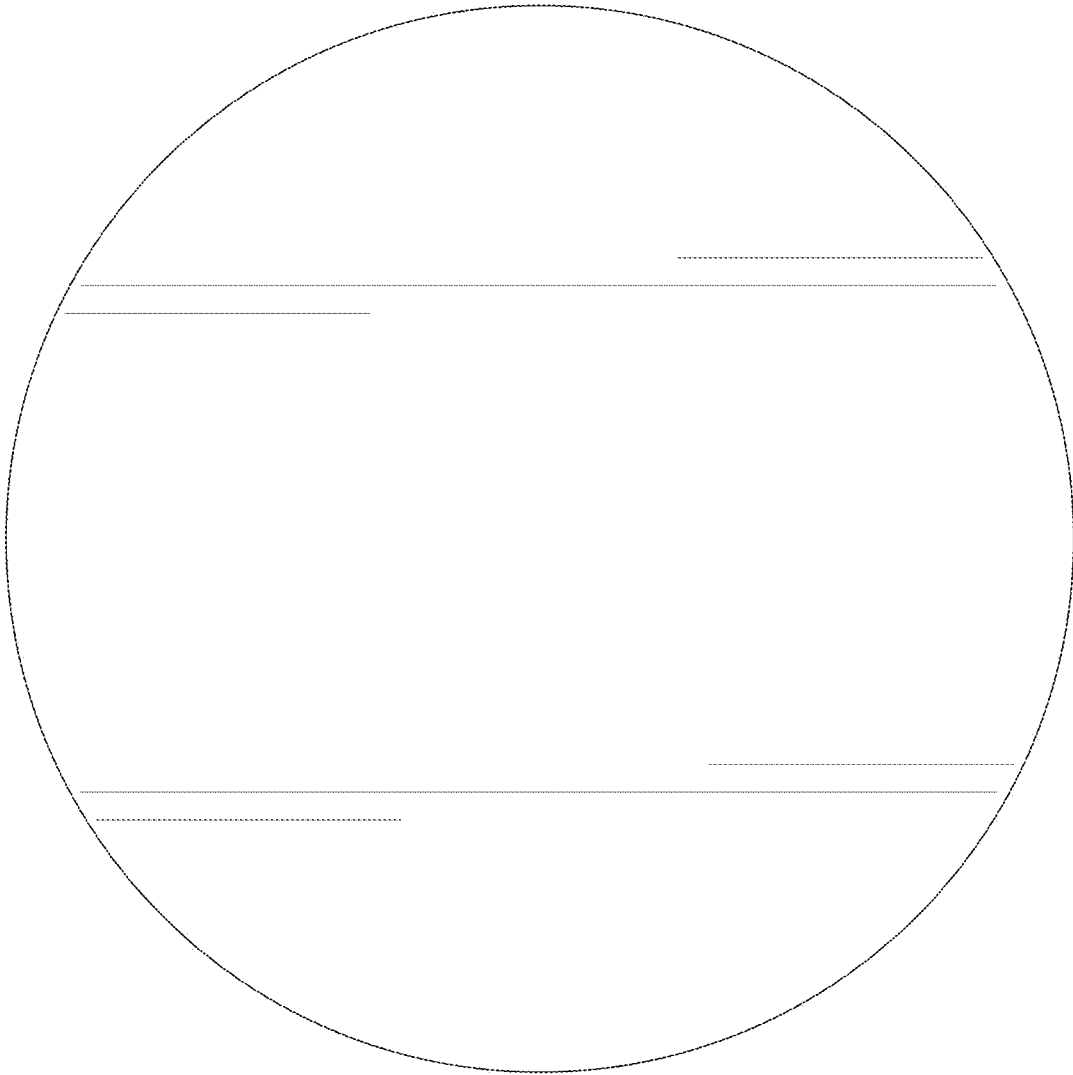


FIG. 7