



US00D794602S

(12) **United States Design Patent**
Riggs et al.

(10) **Patent No.:** **US D794,602 S**

(45) **Date of Patent:** **** Aug. 15, 2017**

- (54) **SIDE PORTION OF EARPHONE**
- (71) Applicant: **OSSIC Corporation**, La Jolla, CA (US)
- (72) Inventors: **Jason Riggs**, La Jolla, CA (US);
Andrew Downie, La Jolla, CA (US);
David Carr, La Jolla, CA (US);
Patrick Triato, Portland, OR (US)
- (73) Assignee: **Ossic Corporation**, San Diego, CA (US)
- (**) Term: **15 Years**
- (21) Appl. No.: **29/555,623**
- (22) Filed: **Feb. 23, 2016**
- (51) **LOC (10) Cl.** **14-01**
- (52) **U.S. Cl.**
USPC **D14/205**
- (58) **Field of Classification Search**
USPC D14/205; D29/112; 2/209; 379/430,
379/431; 381/380, 381, 74, 375, 374,
381/378, 383; 455/575.1
CPC H04R 1/1066; H04R 1/1016; H04R 25/00;
H04R 1/10; H04R 1/105; H04R 5/033;
H04R 5/0335
See application file for complete search history.

D305,541 S *	1/1990	Hirose	D14/205
D310,081 S *	8/1990	Daido	D14/205
D310,223 S *	8/1990	Chudnow	D14/205
D316,551 S *	4/1991	Ichikawa	D14/205
D323,167 S *	1/1992	Yamazaki	D14/205
D338,010 S *	8/1993	Yamatogi	D14/205
D346,802 S *	5/1994	Sacherman	D14/206
D350,354 S *	9/1994	Nakamura	D14/205
D351,172 S *	10/1994	Nakamura	D14/205
D351,598 S *	10/1994	Nakamura	D14/205
D358,388 S *	5/1995	Nakamura	D14/205
D368,716 S *	4/1996	Shudo	D14/205
D376,598 S *	12/1996	Hayashi	D14/205
D386,181 S *	11/1997	Fisher	D14/192
D430,140 S *	8/2000	Roman	D14/205
D463,857 S *	10/2002	Dix	D24/106
D484,485 S *	12/2003	Matsuoka	D14/205
D494,154 S *	8/2004	Polito	D14/206
D505,411 S *	5/2005	Sakai	D14/192
7,072,483 B2 *	7/2006	Lenhard-Backhaus	H04R 1/1066 381/370

(Continued)

Primary Examiner — Paula Greene
(74) *Attorney, Agent, or Firm* — Perkins Coie LLP

(57) **CLAIM**

The ornamental design for side portion of earphone, as shown and described.

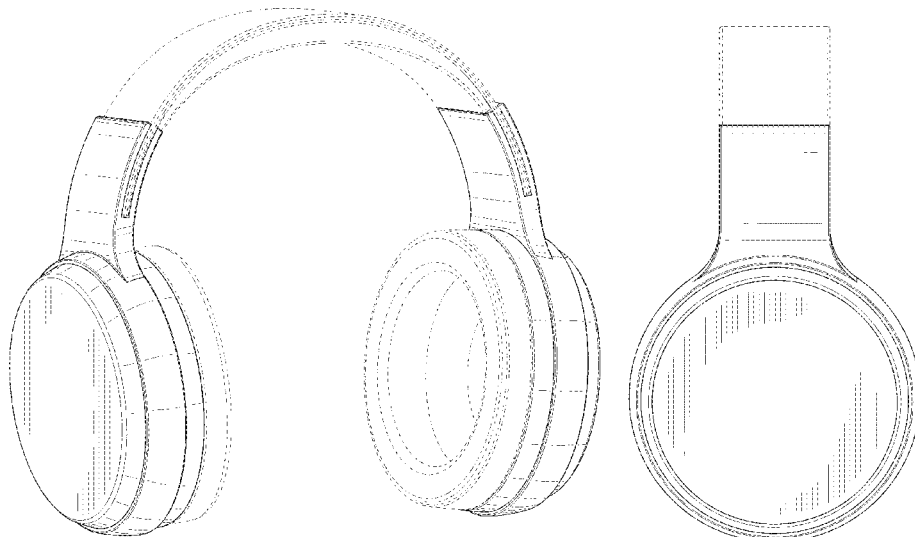
DESCRIPTION

FIG. 1 is a left side isometric view of an embodiment of side portion of earphone showing our new design;
FIG. 2 is a rear elevation view thereof;
FIG. 3 is a front elevation view thereof;
FIG. 4 is a top plan view thereof;
FIG. 5 is a bottom plan view thereof.
FIG. 6 is first side elevation view thereof; and,
FIG. 7 is a second side elevation view thereof.
The broken lines depict environment that forms no part of the claimed design.

1 Claim, 7 Drawing Sheets

(56) **References Cited**
U.S. PATENT DOCUMENTS

1,395,864 A *	11/1921	Pape	H04R 5/0335 381/379
D256,519 S *	8/1980	Hirsch	D29/115
D270,634 S *	9/1983	Ungar	D14/205
4,597,469 A *	7/1986	Nagashima	H04R 5/0335 181/129
D286,772 S *	11/1986	Pope	D14/205
D299,454 S *	1/1989	Kwong	D14/205
D300,133 S *	3/1989	Daidoh	D14/205



(56)

References Cited

U.S. PATENT DOCUMENTS

D534,155	S *	12/2006	Obata	D14/205
D540,301	S *	4/2007	Obata	D14/205
D593,995	S *	6/2009	Shimizu	D14/205
D625,705	S *	10/2010	Ohori	D14/205
D632,668	S *	2/2011	Brunner	D14/205
D635,959	S *	4/2011	Hutchieson	D14/205
D657,344	S *	4/2012	Brunner	D14/205
D657,776	S *	4/2012	Lee	D14/205
D660,823	S *	5/2012	Hardi	D14/205
D662,080	S *	6/2012	Carr	D14/205
D673,518	S *	1/2013	Tan	D14/205
D673,520	S *	1/2013	Tan	D14/205
D675,595	S *	2/2013	Cho	D14/205
D678,860	S *	3/2013	Hagelin	D14/205
D683,329	S *	5/2013	Hagelin	D14/205
D699,702	S *	2/2014	Chen	D14/205
8,767,996	B1 *	7/2014	Lin	H04R 1/1091 381/370
D733,090	S *	6/2015	Petersen	D14/205
D739,378	S *	9/2015	Chung	D14/205
D739,842	S *	9/2015	Birger	D14/205
D750,041	S *	2/2016	Birger	D14/205
D775,605	S *	1/2017	Lee	D14/205
2012/0140973	A1 *	6/2012	Olodort	H04R 1/1066 381/375
2012/0328119	A1 *	12/2012	Heise	H04R 1/1066 381/74
2015/0382101	A1 *	12/2015	Dai	H04R 1/105 381/375

* cited by examiner

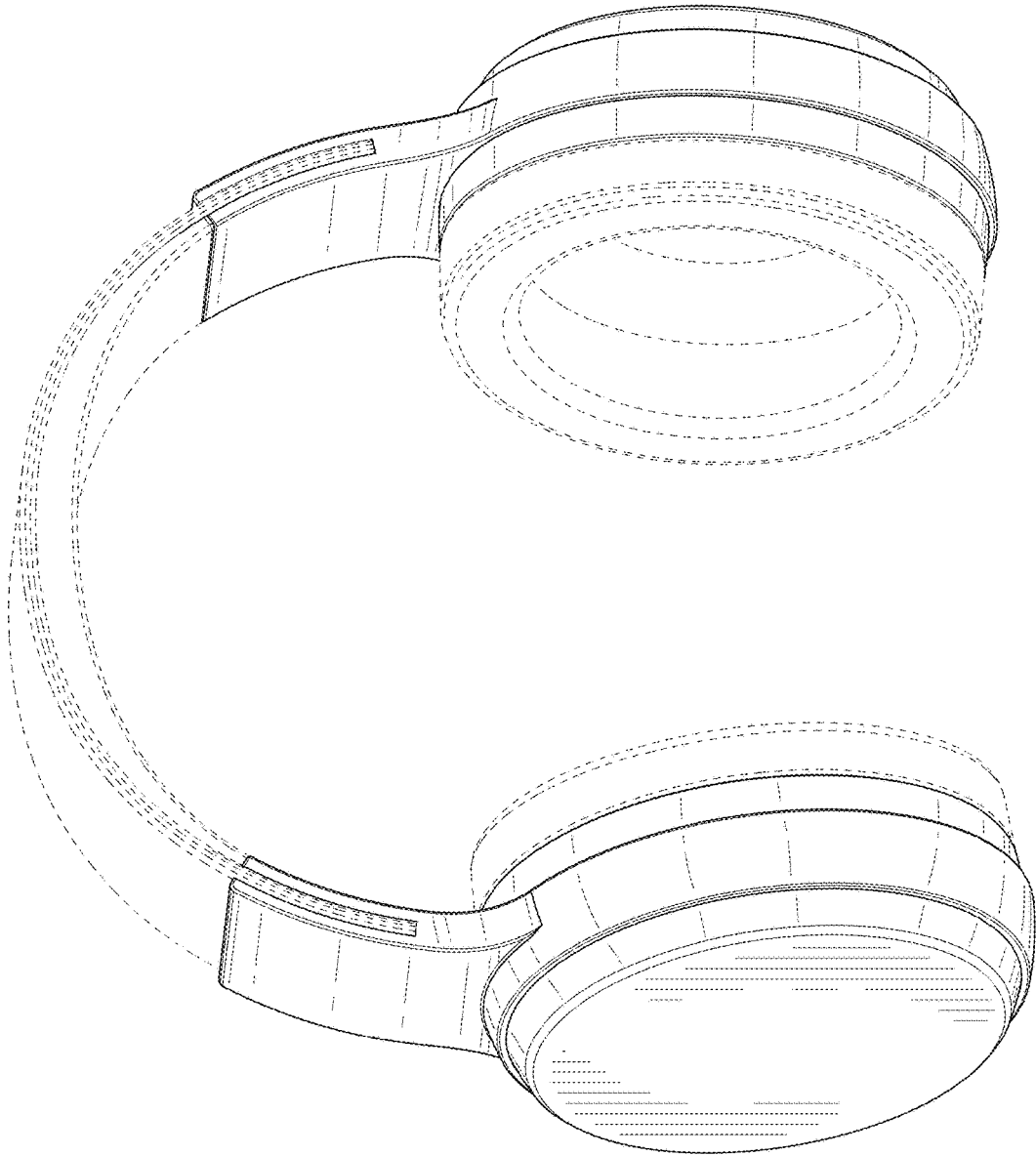


Fig. 1

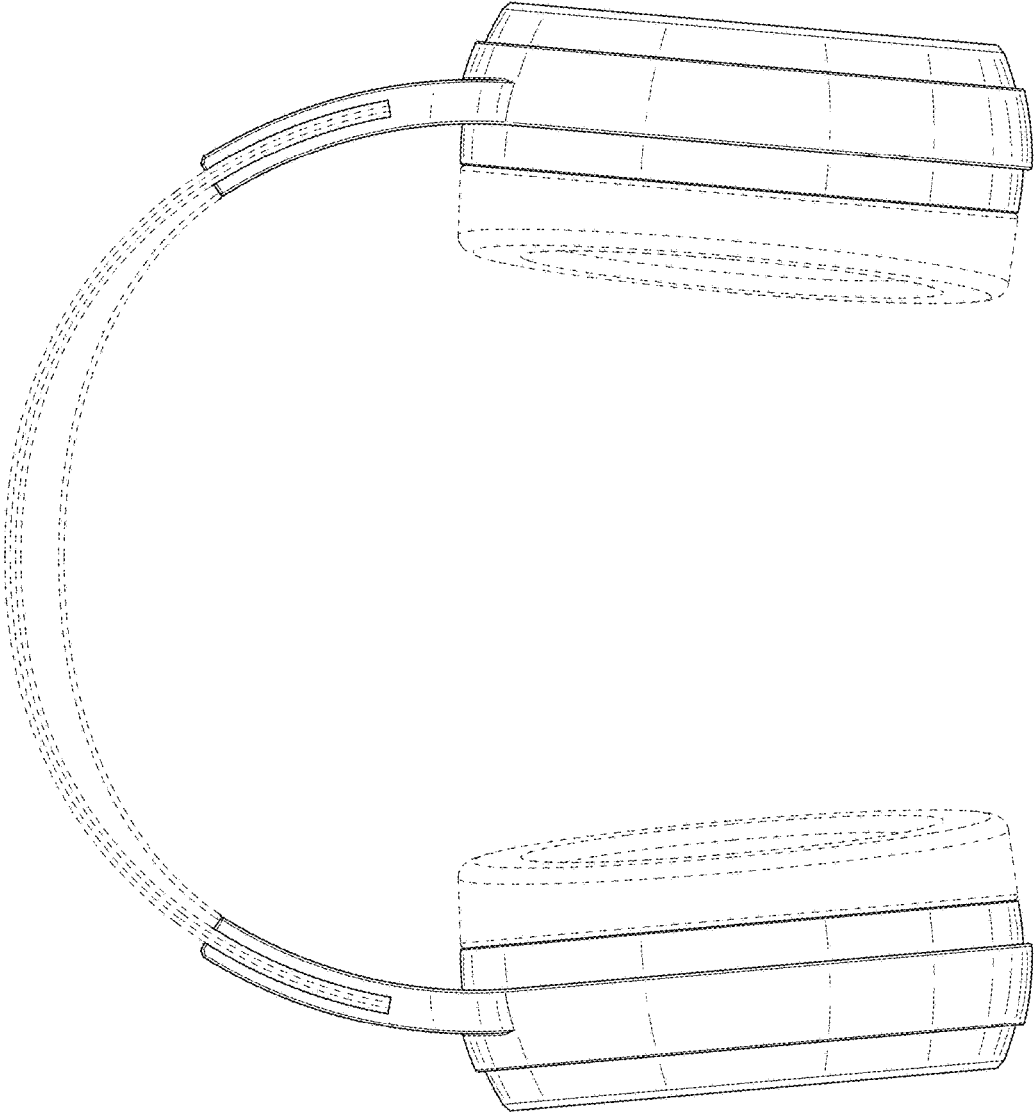


Fig. 2

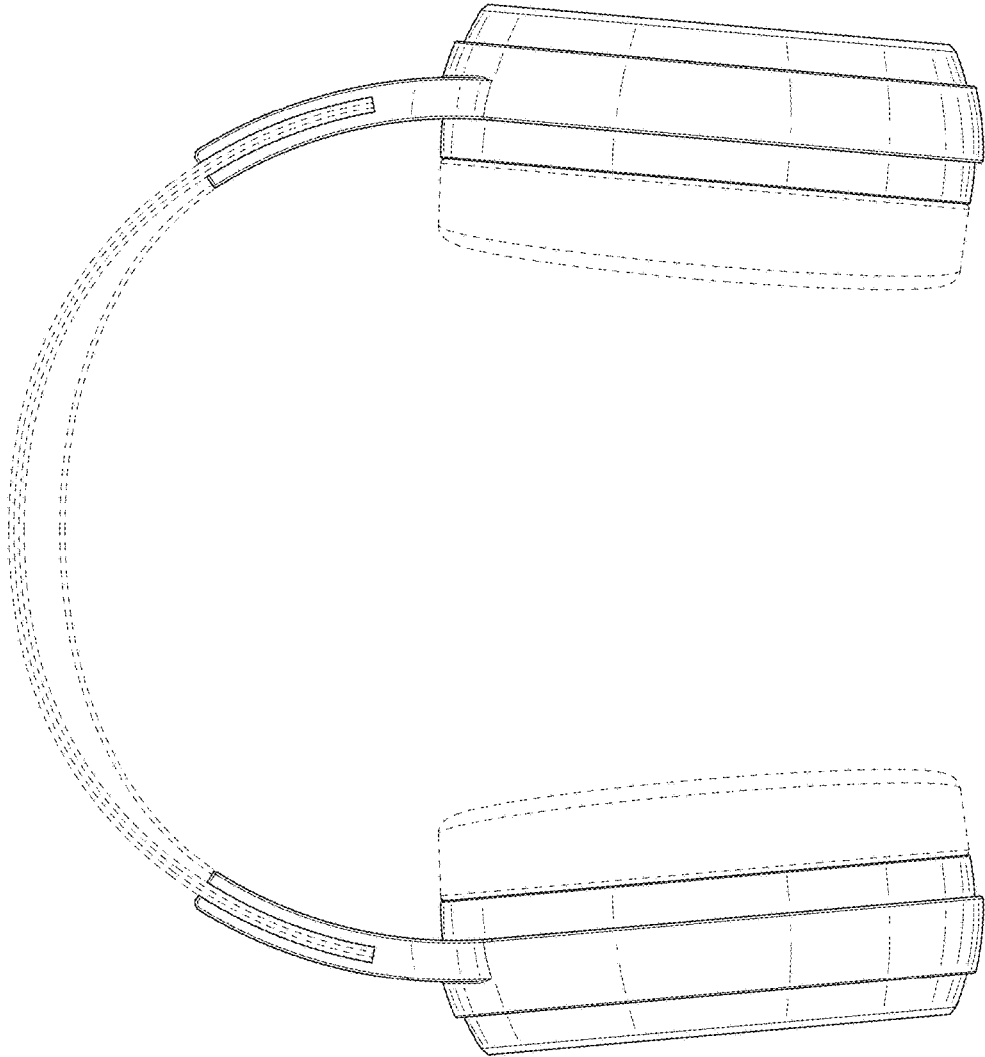


Fig. 3

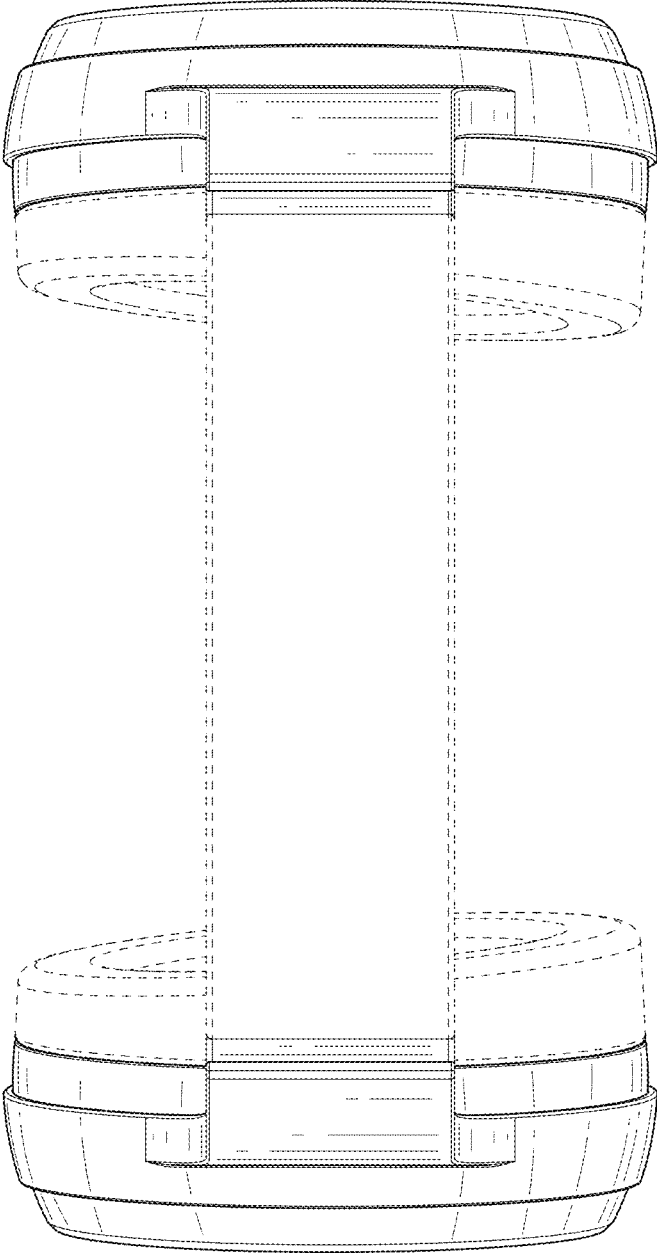


Fig. 4

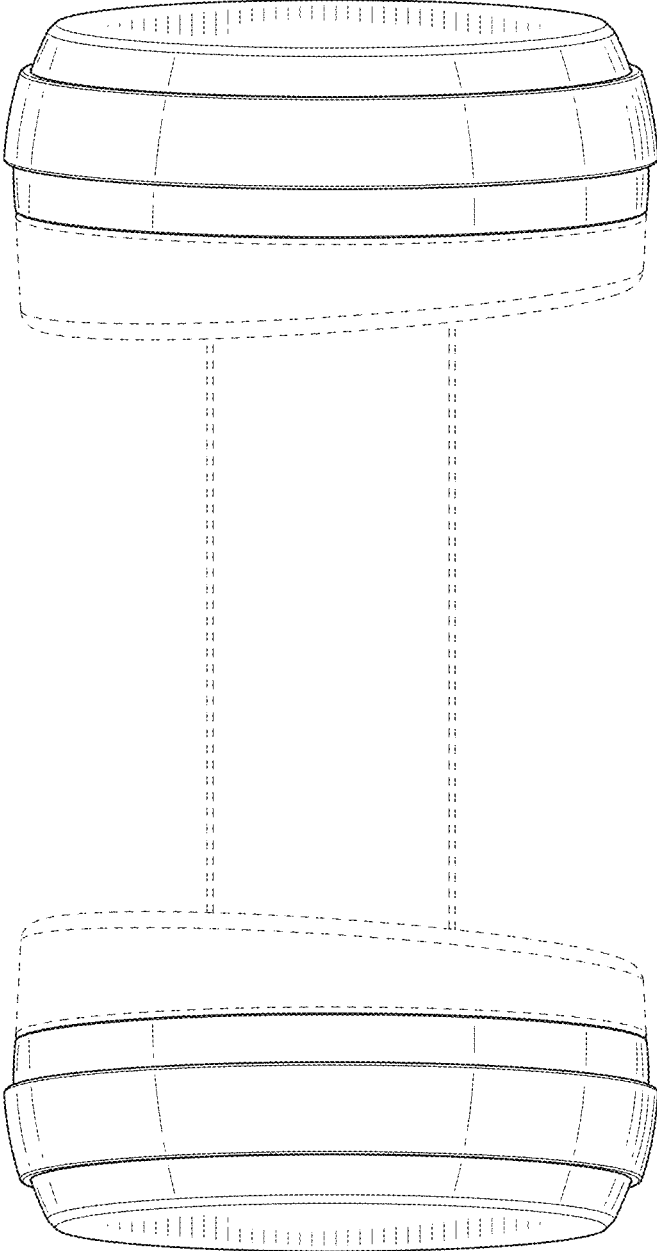


Fig. 5

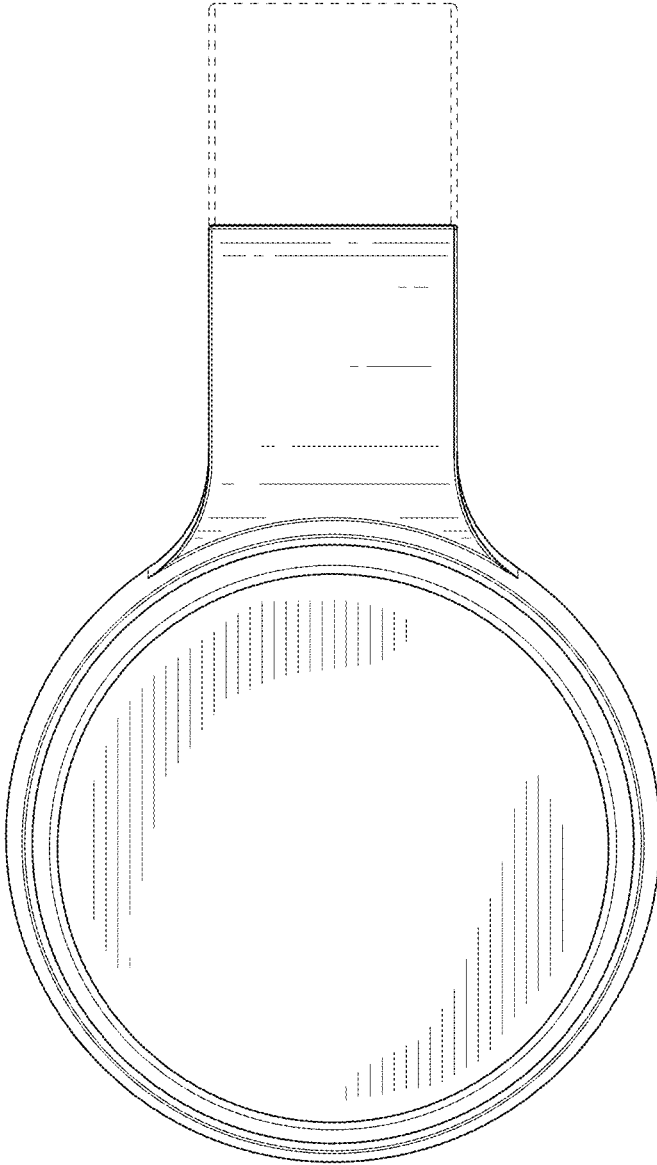


Fig. 6

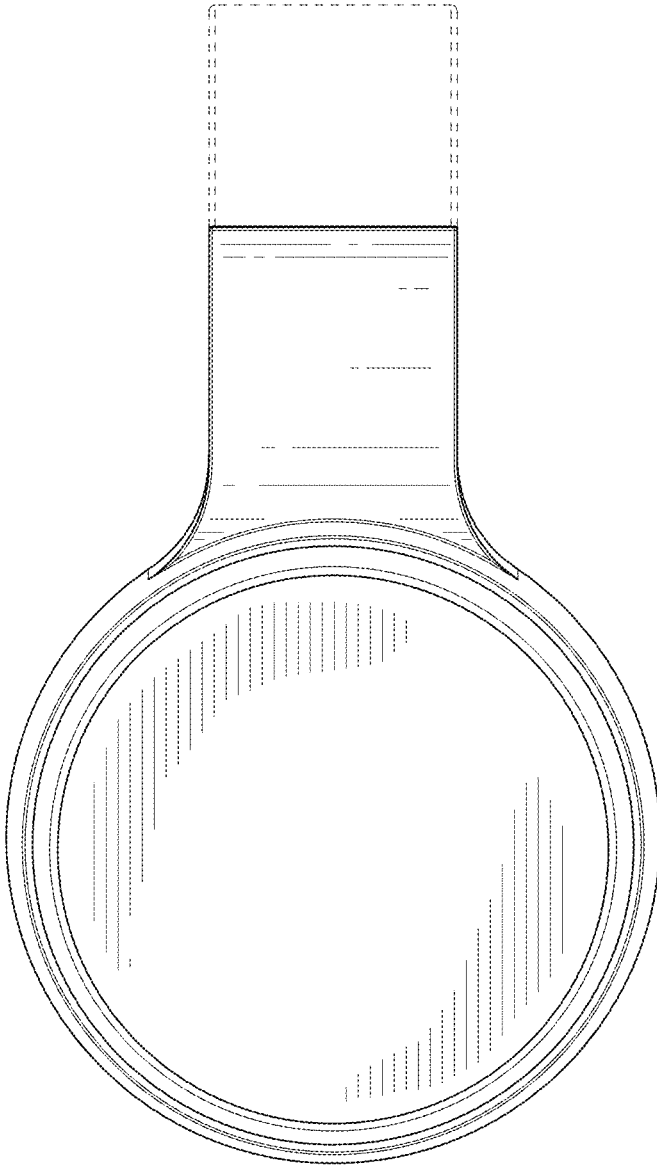


Fig. 7