



US00D593811S

(12) **United States Design Patent**
Carreno

(10) **Patent No.:** **US D593,811 S**

(45) **Date of Patent:** **** Jun. 9, 2009**

(54) **FOOD JAR**

(75) Inventor: **Alfredo Carreno**, Aurora, IL (US)

(73) Assignee: **Thermos L.L.C.**, Rolling Meadows, IL (US)

(**) Term: **14 Years**

(21) Appl. No.: **29/301,861**

(22) Filed: **Mar. 20, 2008**

(51) **LOC (9) Cl.** **07-01**

(52) **U.S. Cl.** **D7/629; D7/608; D9/504; D9/529**

(58) **Field of Classification Search** D7/602, D7/605, 608, 629; D9/500, 502-504, 516, D9/529, 549, 552, 556, 558, 686, 688, 690, D9/692; D28/76, 82; 215/379, 381-382; 220/660, 662, 665, 669-673, 675, 677

See application file for complete search history.

(56) **References Cited**

U.S. PATENT DOCUMENTS

- 3,982,651 A * 9/1976 Braun et al. 220/4.21
- D246,029 S * 10/1977 Lynn et al. D9/780
- D363,642 S * 10/1995 Goto et al. D7/511
- D405,609 S * 2/1999 Fu et al. D3/302
- D467,811 S * 12/2002 Slater et al. D9/529

- D474,651 S * 5/2003 Ward D7/615
- D539,655 S * 4/2007 Kipperman et al. D9/529
- D559,622 S * 1/2008 Carreno D7/510
- D562,144 S * 2/2008 Lane D9/556

* cited by examiner

Primary Examiner—Ian Simmons

Assistant Examiner—Dana L Sipos

(74) *Attorney, Agent, or Firm*—Wood, Phillips, Katz, Clark & Mortimer

(57) **CLAIM**

The ornamental design of a food jar, as shown and described.

DESCRIPTION

FIG. 1 is a perspective view from above and to the right of the food jar design;

FIG. 2 is a perspective view taken from below and to the right of the food jar design;

FIG. 3 is a front elevation view of the food jar design, with the back, right side, and left side elevations being identical to FIG. 3;

FIG. 4 is a top plan view of the food jar design; and,

FIG. 5 is a bottom view of the food jar design.

It is to be understood that the broken lines are for illustrative purposes only and form no part of the claimed design.

1 Claim, 3 Drawing Sheets

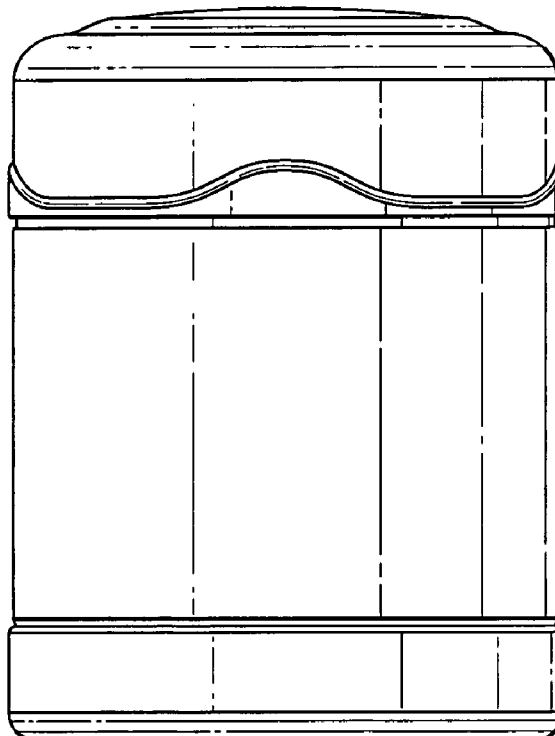


Fig. 1

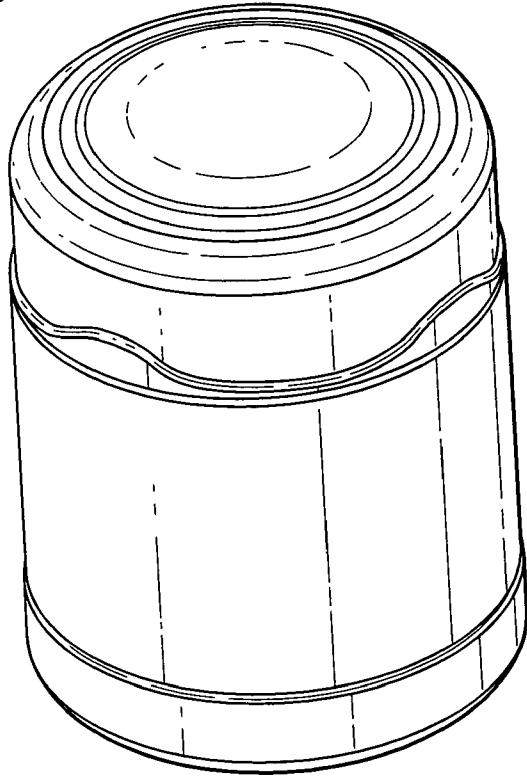


Fig. 2

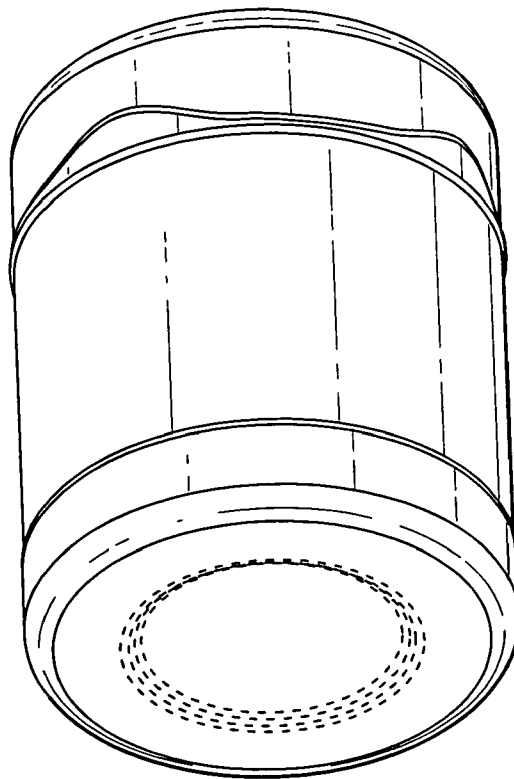


Fig. 3

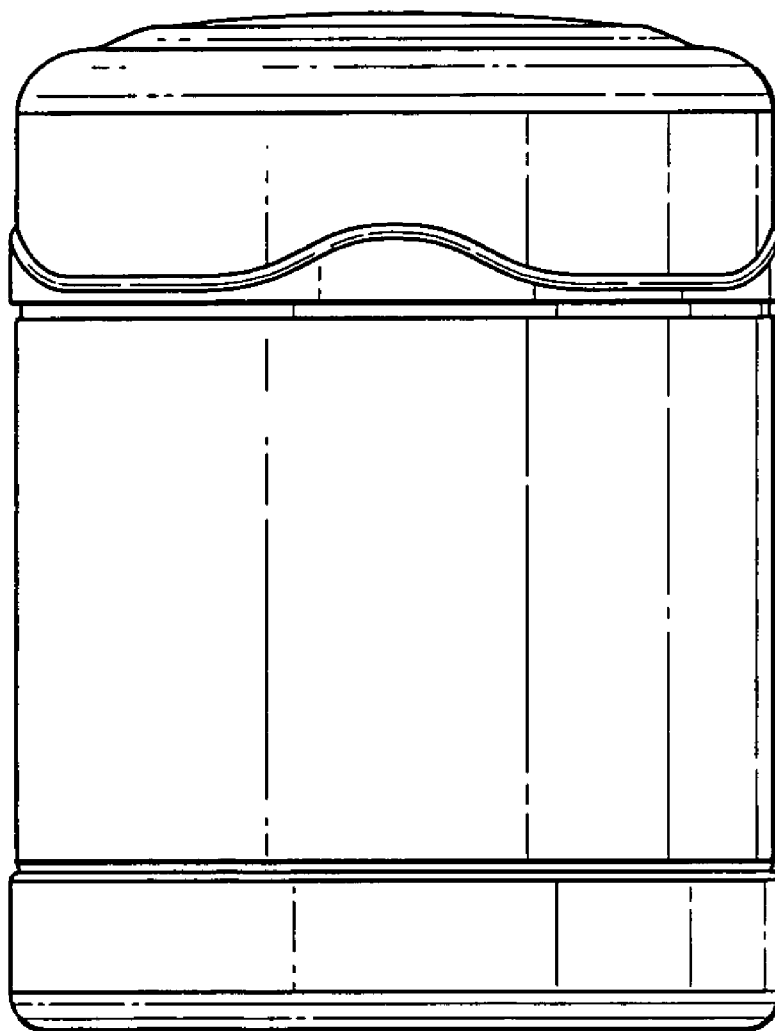


Fig. 4

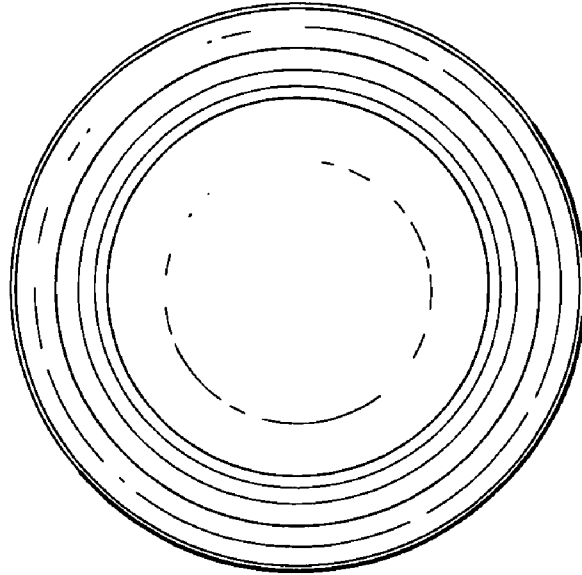


Fig. 5

