



US00D851644S

(12) **United States Design Patent**
Memke et al.

(10) **Patent No.:** **US D851,644 S**

(45) **Date of Patent:** **** Jun. 18, 2019**

(54) **OPTICAL SCANNER**

(71) Applicant: **Hand Held Products, Inc.**, Fort Mill, SC (US)

(72) Inventors: **David K. Memke**, Bainbridge Island, WA (US); **John S. Bandringa**, Everett, WA (US); **Roger Jackson**, Lake Forest Park, WA (US); **Tim Zurmoehle**, Seattle, WA (US); **William Herweh, III**, Seattle, WA (US); **Churu Yun**, Seattle, WA (US); **Matthew McElvogue**, Seattle, WA (US); **Rajat Shail**, Chicago, IL (US)

(73) Assignee: **HAND HELD PRODUCTS, INC.**, Fort Mills, SC (US)

(**) Term: **15 Years**

(21) Appl. No.: **29/670,956**

(22) Filed: **Nov. 21, 2018**

Related U.S. Application Data

(63) Continuation of application No. 29/572,896, filed on Aug. 1, 2016, now Pat. No. Des. 837,215.

(51) **LOC (11) Cl.** **14-02**

(52) **U.S. Cl.**

USPC **D14/428**

(58) **Field of Classification Search**

USPC D14/420, 426-430, 453, 346, 341, 347, D14/412, 138; D13/107, 184; 358/473; 235/462.43, 462.45, 462.47, 462.48, 235/462.44, 462.46, 487, 472.01, 472.02, 235/145 A, 145 R, 462.21, 462.42, 235/462.01, 462.35; D10/78, 70; 324/426; D3/273; 710/73; D18/7; 361/679, 728, 679.56; 382/313, 312, 276, 382/285-295, 314-325; 455/575.1, 561, 455/572; 345/156, 168, 169, 172, 173, 345/87; 705/17, 18, 22-25; D26/45-51; D24/185, 186; D8/68, 315, 80, 105, 107, D8/300-303, 307, 321, 29.1, 29.2, 61, 70,

D8/75-77, 81; 348/47, 49, E13.074; 702/85, 94, 95, 127, 150-168, 189; 356/601-613, 625-640; D28/13-18; 34/97, 99; D32/8, 13; 392/384, 385
CPC G06F 1/626; G06F 1/1626; G06F 1/1656; G06F 1/1632; G06F 1/1684; G06F 1/1635; G06F 8/63; G06F 17/30091; G06F 9/4401; G06K 7/10881; G06K 7/1098; G06K 7/10722; G06K 7/1404; G06K 7/0004; G06K 7/10633; G06K 7/10693; G06K 7/10544; G06K 7/10732; G06K 7/14; G06K 7/1413; G06K 7/10831; G06K 7/10851; G06K 7/1091; G06K 7/1092; G06K 7/1093; G06K 7/10; G06K 7/109; G06K 7/1417; G06K 9/228; G06K 17/0022; G06K 17/00; G06K 2207/1011; G06K 2207/1013; G06K 2207/1016; G06K 2207/1018; G06K 2017/0051; G06K 2017/0067; G06K 2007/10524; G06K 19/06018; G06K 19/06028; G06K 19/06037; G07G 1/0081; G07G 1/009; G06Q 20/20; G06Q 20/201; G06Q 20/202; G06Q 20/203; G06Q 20/30; G06Q 20/32; G06Q 20/322; G06Q 20/4014; G06Q 10/087; H04N 1/00127; H04N 1/00135; H04N 1/00326; H04N 1/00334; H04N 1/00307; H04N 1/107; H04N 2201/0084; H04N 2101/00; H04M 1/0249; H04M 1/0262; H04M 1/0266; H04M 1/18; H04M 1/23; H04M 1/236; H04B 1/3827; H04B 1/3833; H04B 1/3877; H04B 1/3883; H04B 1/3888; H04B 2001/3894; H01M 2/1066; G01B 11/2513; G01C 11/02; G01C 11/025; A45D 20/00; A45D 20/04; A45D 20/08; A45D 20/10; A45D 20/12; A45D 20/24; A45D 20/30; A45D 2020/128

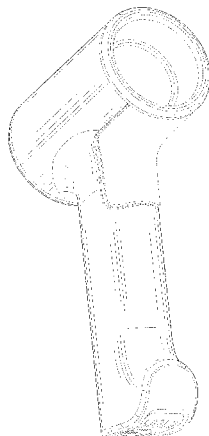
See application file for complete search history.

(56)

References Cited

U.S. PATENT DOCUMENTS

D248,048 S * 5/1978 Cousins D28/13
D251,989 S * 5/1979 Rizzuto D28/13



US D851,644 S

D253,012 S *	9/1979	Rakocy	D28/13	D788,265 S *	5/2017	Ho	D23/226
D253,253 S *	10/1979	Rakocy	D28/13	D788,341 S *	5/2017	Inskeep	D26/45
D257,492 S *	11/1980	Cousins	D28/13	9,687,058 B2 *	6/2017	Atkinson	A45D 20/12
D262,060 S *	11/1981	Nagelkerke	D28/13	D791,407 S *	7/2017	Smith	D28/13
D262,062 S *	11/1981	Nagelkerke	D28/13	D799,295 S *	10/2017	Huttunen	D8/76
D263,427 S *	3/1982	McBrien	D28/13	9,808,066 B2 *	11/2017	Moloney	A45D 20/10
D265,136 S *	6/1982	Madl	D28/13	D806,211 S *	12/2017	Bahler	D23/223
D265,767 S *	8/1982	Stewart	D28/13	D824,060 S *	7/2018	Kunzendorf	D26/45
4,418,732 A *	12/1983	Kolonia	B25G 1/10 16/436	D824,229 S *	7/2018	Williams	D8/29.2
D273,359 S *	4/1984	Kolonia	D8/76	10,019,334 B2 *	7/2018	Caballero	G06F 11/0742
D274,153 S *	6/1984	Nagelkerke	D28/13	2001/0045466 A1 *	11/2001	Bontly	G06K 7/10881
D278,085 S *	3/1985	Rittenhouse	D28/13	2002/0043003 A1 *	4/2002	Cruz	A45D 20/12 34/97
D286,209 S *	10/1986	Camens	D28/13	2003/0223227 A1 *	12/2003	Levine	F21L 4/08 362/183
D288,726 S *	3/1987	Muller	D28/13	2006/0133089 A1 *	6/2006	Reid	F21L 4/00 362/294
D290,174 S *	6/1987	Tsuji	D28/13	2010/0308116 A1 *	12/2010	Sani	A45C 11/00 235/472.01
4,904,847 A *	2/1990	Kosaka	A45D 20/12 219/242	2013/0283631 A1 *	10/2013	Moloney	A45D 20/10 34/97
D317,154 S *	5/1991	Allgeier	D14/428	2015/0102109 A1 *	4/2015	Huck	G06K 7/109 235/462.14
D341,302 S *	11/1993	Ware	D8/29.1	2016/0154985 A1 *	6/2016	Auger	G07D 7/12 235/462.45
D350,413 S *	9/1994	Feil	D28/13	2016/0206077 A1 *	7/2016	Stephens	A45D 20/12
5,590,475 A *	1/1997	Andis	A45D 20/12 34/90	2018/0049532 A1 *	2/2018	Hsu	F26B 23/06
D386,815 S *	11/1997	Muller	D28/13	* cited by examiner			
D398,073 S *	9/1998	Kip	D28/13	<i>Primary Examiner</i> — Susan Moon Lee			
D398,717 S *	9/1998	Kling	D28/13	(74) <i>Attorney, Agent, or Firm</i> — Additon, Higgins & Pendleton, P.A.			
D425,662 S *	5/2000	Cheung	D28/13	CLAIM			
D425,663 S *	5/2000	Greubel	D28/13	(57) CLAIM			
D426,023 S *	5/2000	Elkerbout	D28/16	The ornamental design for an optical scanner, as shown in the accompanying drawings and described above.			
D429,028 S *	8/2000	Muller	D28/13	DESCRIPTION			
D432,715 S *	10/2000	Harris	D28/13	FIG. 1 is a front, lower left perspective view of an optical scanner in accordance with the present design.			
D436,200 S *	1/2001	Cheong	D26/45	FIG. 2 is a front, upper right perspective view of the optical scanner of FIG. 1.			
D441,112 S *	4/2001	Krieger	D26/45	FIG. 3 is a front elevation view of the optical scanner of FIG. 1.			
D456,808 S *	5/2002	Fitch	D14/426	FIG. 4 is a rear elevation view of the optical scanner of FIG. 1.			
D491,303 S *	6/2004	Shen	D26/45	FIG. 5 is a right elevation view of the optical scanner of FIG. 1.			
6,751,886 B2 *	6/2004	Chang	A45D 20/122 34/96	FIG. 6 is a left elevation view of the optical scanner of FIG. 1.			
D500,155 S *	12/2004	Lee	D26/45	FIG. 7 is a top plan view of the optical scanner of FIG. 1; and,			
6,889,445 B1 *	5/2005	Varona	A45D 20/12 34/97	FIG. 8 is a bottom plan view of the optical scanner of FIG. 1.			
D526,731 S *	8/2006	Cheung	D26/45	The broken lines and unshaded portions contained within broken lines depict unclaimed features of the optical scanner that form no part of the claimed design but are shown for purposes of illustration. The dot-dash line depicts the bound- ary at which unclaimed portions terminate and claimed subject matter begins, and forms no part of the design claim.			
7,229,189 B2 *	6/2007	Parker	F21L 4/04 362/191	1 Claim, 8 Drawing Sheets			
D549,863 S *	8/2007	Garrity	D26/37				
D571,808 S *	6/2008	Dorr	D14/429				
D584,438 S *	1/2009	Crawford	D26/46				
D586,037 S *	2/2009	Smith	D28/13				
D599,182 S *	9/2009	Baxter	D8/29.1				
D605,796 S *	12/2009	Crawford	D26/45				
D608,856 S *	1/2010	Dammkoehler	D23/223				
7,673,804 B1 *	3/2010	Hinson	G06K 7/10881 235/462.45				
D619,442 S *	7/2010	Chen	D8/80				
D656,379 S *	3/2012	Islas	D8/80				
D658,961 S *	5/2012	Islas	D8/80				
D662,241 S *	6/2012	Tschopp	D26/45				
D673,706 S *	1/2013	Inskeep	D26/45				
D673,707 S *	1/2013	Inskeep	D26/45				
D711,029 S *	8/2014	Schnell	D26/45				
D714,453 S *	9/2014	Mongin	D24/185				
D716,126 S *	10/2014	Dahlberg	D8/75				
D716,492 S *	10/2014	Dyson	A45D 20/12 D28/13				
D737,489 S *	8/2015	Russell	D26/45				
D737,651 S *	9/2015	Masalin	D8/107				
D742,047 S *	10/2015	Lee	D26/37				
D757,361 S *	5/2016	Gammack	D28/13				
D759,870 S *	6/2016	Hine	D26/45				
D760,054 S *	6/2016	Huttunen	D8/76				
D761,075 S *	7/2016	Masalin	D8/107				
D761,632 S *	7/2016	Masalin	D8/107				
D769,098 S *	10/2016	Huttunen	D8/76				

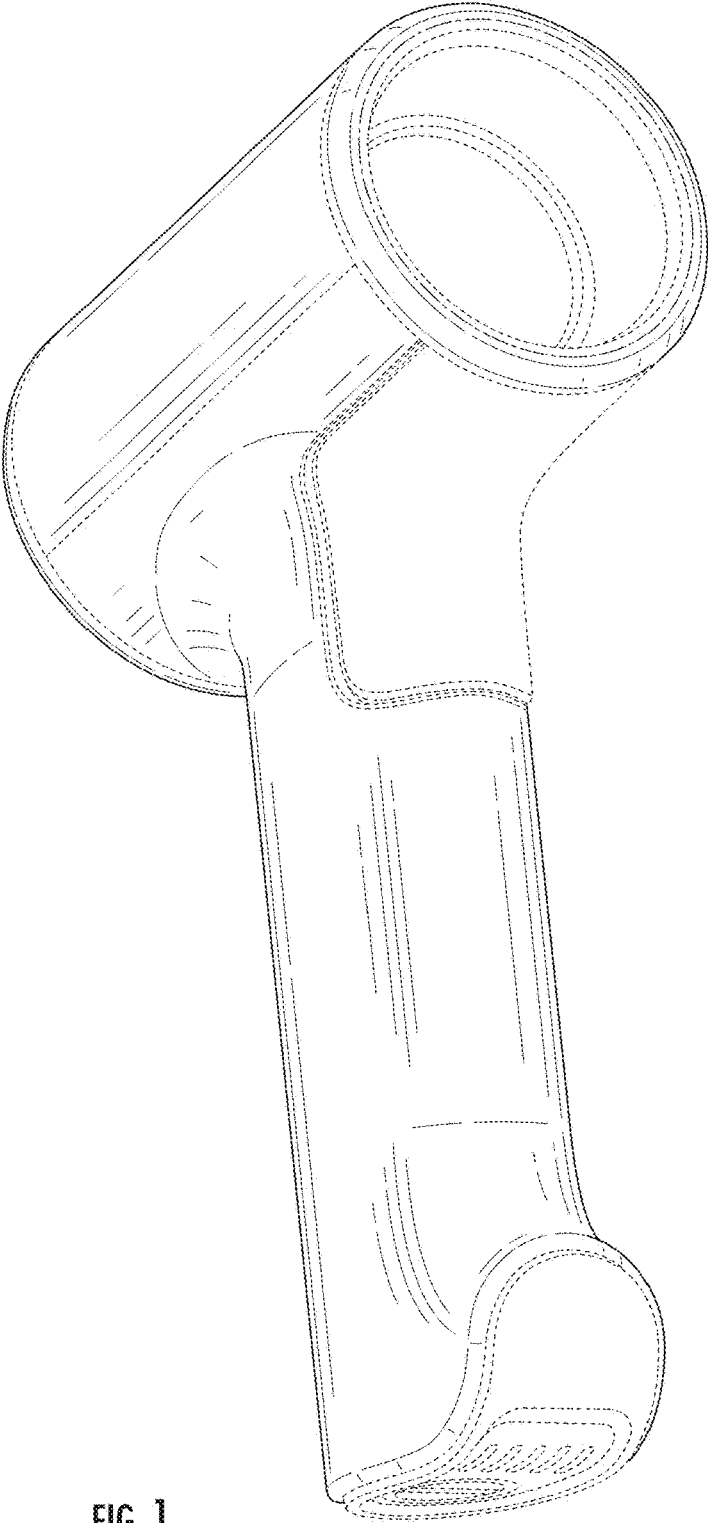


FIG. 1

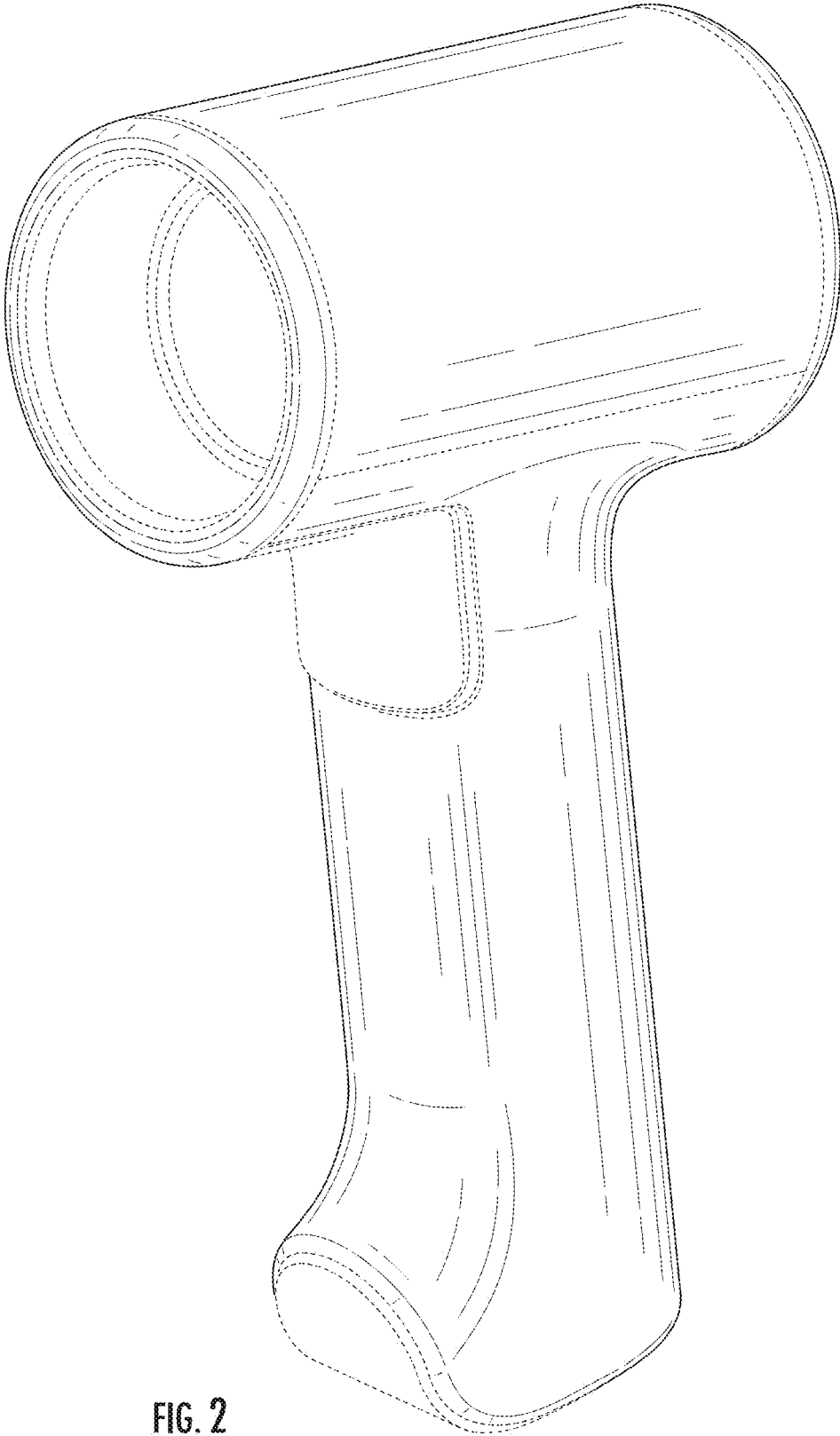


FIG. 2

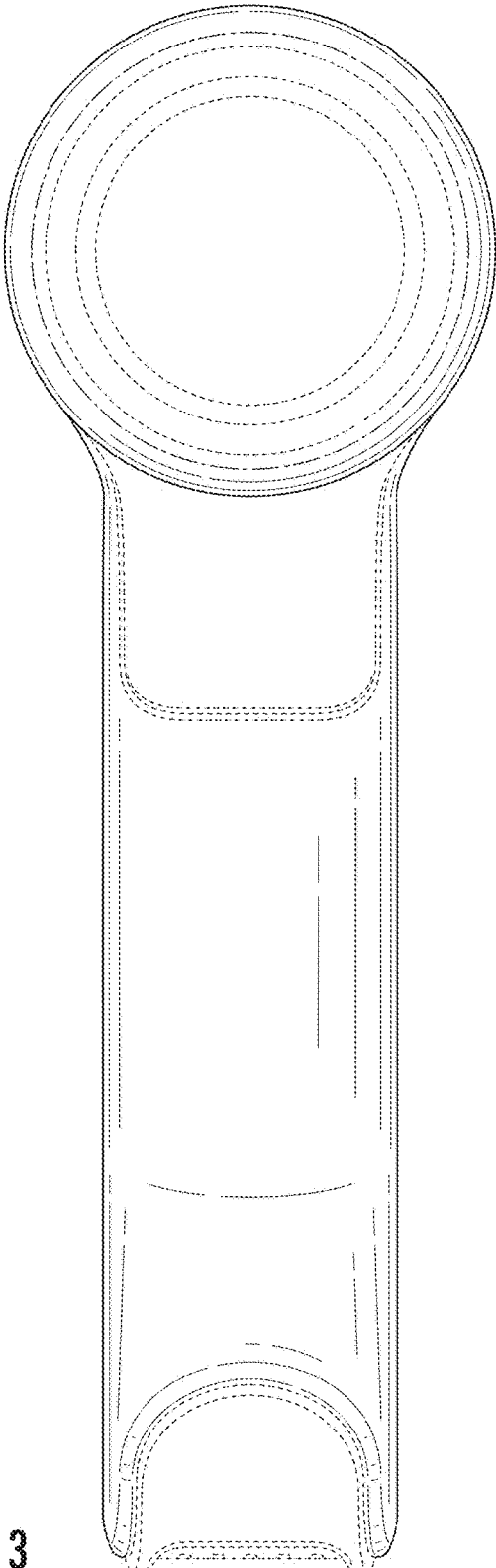


FIG. 3

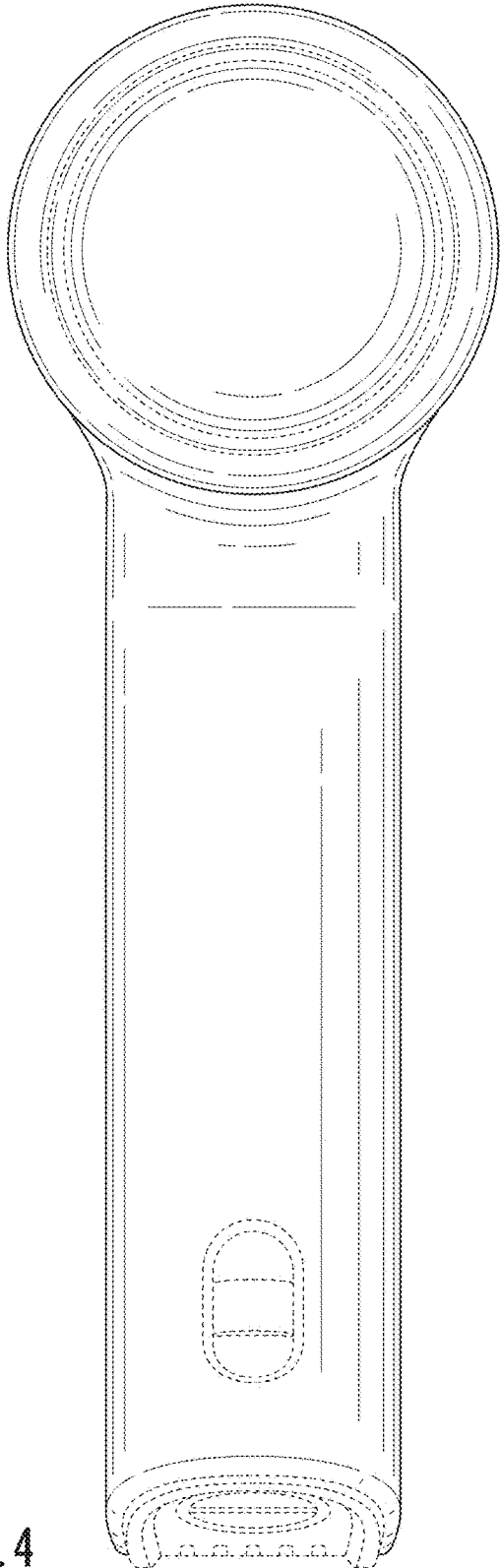


FIG. 4

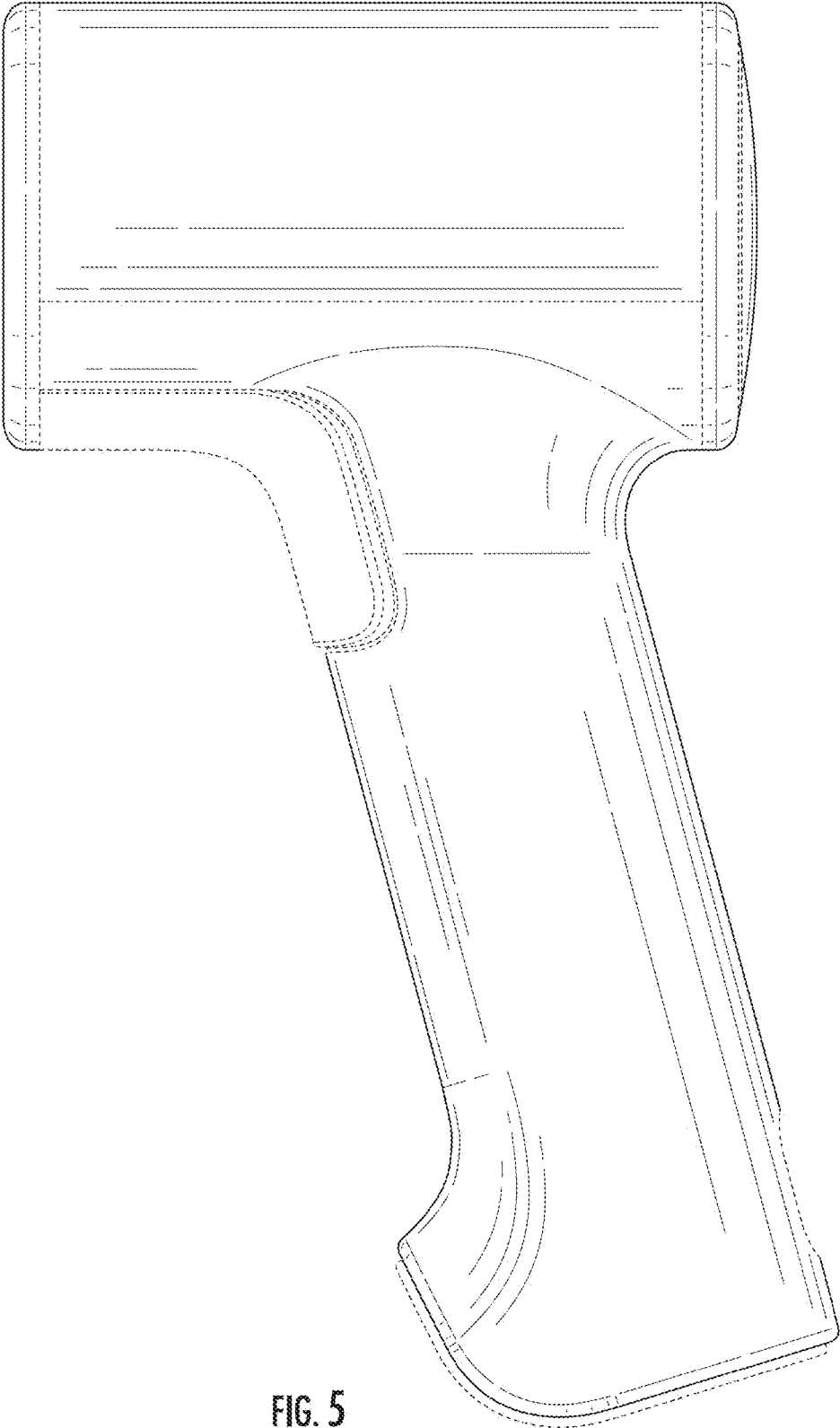


FIG. 5

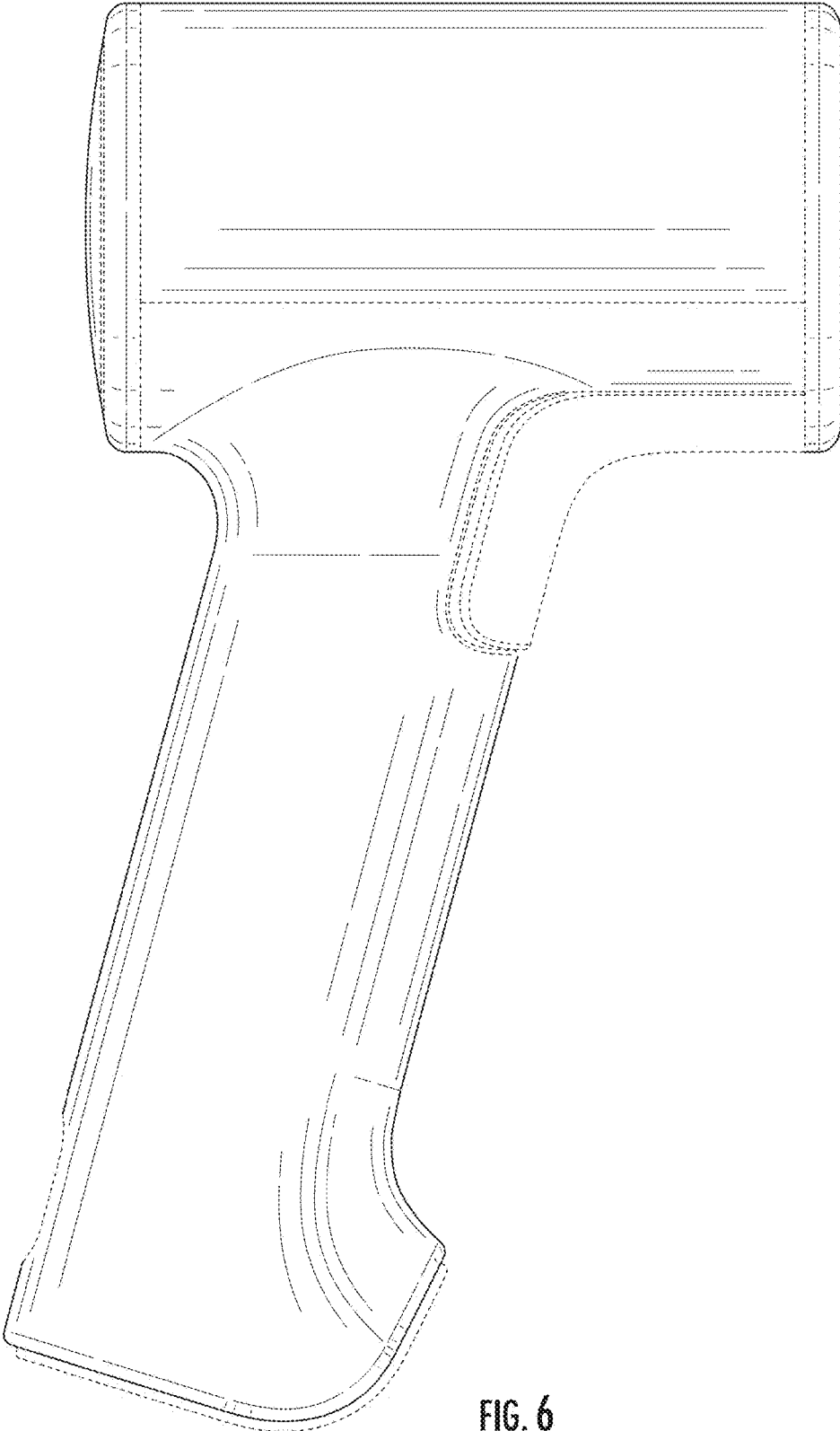


FIG. 6

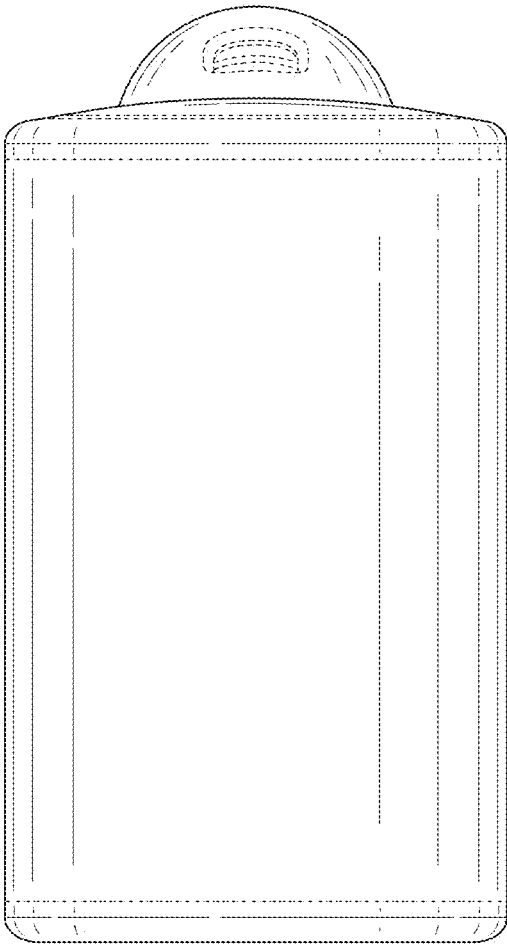


FIG. 7

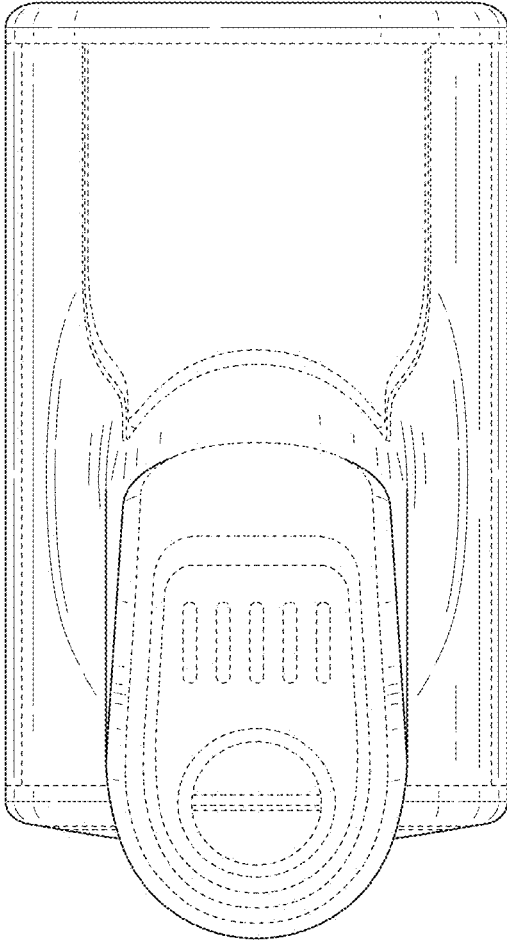


FIG. 8