



US0D1004777S

(12) **United States Design Patent**  
**Arsenault et al.**

(10) **Patent No.:** **US D1,004,777 S**

(45) **Date of Patent:** **\*\* Nov. 14, 2023**

(54) **WRIST READER**

(71) Applicant: **TT1 Products, Inc.**, Atlanta, GA (US)

(72) Inventors: **Justin Arsenault**, Atlanta, GA (US);  
**Ryan Sanderson**, Atlanta, GA (US);  
**Todd Furneaux**, Atlanta, GA (US);  
**Harold Philpott Southerland**, Atlanta,  
GA (US)

(73) Assignee: **TT1 Products, Inc.**, Atlanta, GA (US)

(\*\*) Term: **15 Years**

(21) Appl. No.: **29/806,143**

(22) Filed: **Sep. 1, 2021**

(51) **LOC (14) Cl.** ..... **24-02**

(52) **U.S. Cl.**

USPC ..... **D24/167**; D14/344

(58) **Field of Classification Search**

USPC .... D14/138 R, 344; D10/30, 31, 32, 38, 70;  
D11/3; D24/167

CPC ..... G04G 17/00; G04G 17/045; G04G 17/08;  
G04G 17/083; G04G 21/00; G04G 21/02;  
G04G 21/025; G04G 21/06; G04G 21/08;  
G04G 99/006; G06F 1/163; A44C  
5/0007; A44C 5/0015; A44C 5/0046;  
A44C 5/0053; A44C 5/2052; A44C  
5/2071

See application file for complete search history.

(56) **References Cited**

**U.S. PATENT DOCUMENTS**

8,326,546	B2	12/2012	Stewart et al.	
8,352,196	B2	1/2013	Vering et al.	
9,498,165	B2	11/2016	Johnson et al.	
D816,080	S *	4/2018	Chen	D14/344
D824,899	S *	8/2018	Yang	D14/344
D861,677	S *	10/2019	Wu	D14/344
10,771,607	B2	9/2020	Mandapaka et al.	
D903,663	S *	12/2020	Jones	D14/344

10,867,420	B2	12/2020	Zamanakos et al.	
11,020,027	B2	6/2021	Park et al.	
D933,651	S *	10/2021	Cheng	D14/344
D944,792	S *	3/2022	Fraboulet	D14/344
D948,057	S *	4/2022	Rahman	D24/173

(Continued)

**FOREIGN PATENT DOCUMENTS**

EP	1972270	11/2010
EP	2006786	5/2018
WO	2018125841	5/2018

**OTHER PUBLICATIONS**

Supersapiens Energy Band: Quick Start Guide, www.youtube.com, Sep. 29, 2021. <https://www.youtube.com/watch?v=8MHS6GmSNjk> (Year: 2021).\*

(Continued)

*Primary Examiner* — Llorellys Martinez

*Assistant Examiner* — Kwabena A. Ankobiah

(74) *Attorney, Agent, or Firm* — Morris, Manning & Martin, LLP; Daniel E. Sineway

(57)

**CLAIM**

The ornamental design for a wrist reader, as shown and described.

**DESCRIPTION**

FIG. 1 is a perspective view of a wrist reader, showing our new design;

FIG. 2 is another perspective view of the wrist reader;

FIG. 3 is a front view of the wrist reader;

FIG. 4 is a rear view of the wrist reader;

FIG. 5 is a top view of the wrist reader;

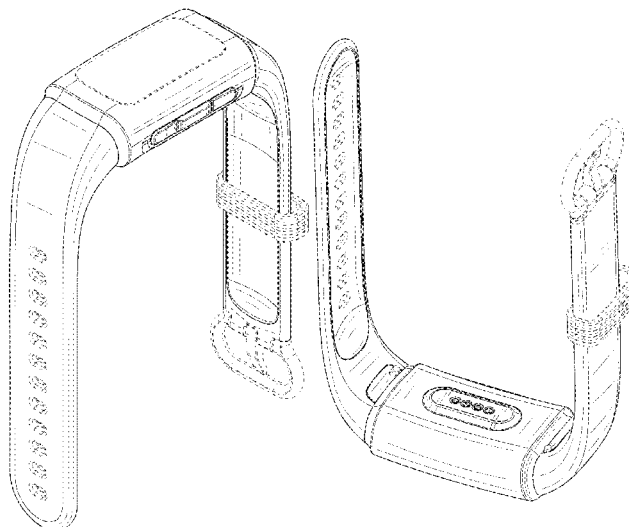
FIG. 6 is a bottom view of the wrist reader;

FIG. 7 is a side view of the wrist reader; and,

FIG. 8 is a side view of the wrist reader.

The broken lines shown in the drawings illustrate portions of the wrist reader and form no part of the claimed design.

**1 Claim, 8 Drawing Sheets**



(56)

References Cited

U.S. PATENT DOCUMENTS

D949,720 S \* 4/2022 Matsumoto ..... D10/70  
 D950,549 S \* 5/2022 King ..... D14/344  
 D958,139 S \* 7/2022 Cheng ..... D14/344  
 D962,229 S \* 8/2022 He ..... D14/344  
 D962,932 S \* 9/2022 He ..... D14/344  
 D965,590 S \* 10/2022 Cheng ..... D14/344  
 D966,907 S \* 10/2022 Ouyang ..... D14/344  
 D968,242 S \* 11/2022 Ling ..... D10/70  
 D973,051 S \* 12/2022 Wang ..... D14/344  
 2003/0217966 A1 11/2003 Tapsak  
 2006/0189863 A1 8/2006 Peyser et al.  
 2007/0083335 A1 4/2007 Moerman  
 2010/0298685 A1 11/2010 Hayter et al.  
 2011/0245634 A1 10/2011 Ray et al.  
 2013/0096842 A1 4/2013 Sato et al.  
 2014/0005499 A1 1/2014 Gatt et al.  
 2014/0088393 A1 3/2014 Bernstein et al.  
 2014/0200426 A1 7/2014 Taub et al.  
 2014/0313052 A1 10/2014 Yarger et al.  
 2017/0071511 A1 3/2017 Garcia et al.  
 2018/0235524 A1 8/2018 Dunn et al.

2018/0256103 A1 9/2018 Cole et al.  
 2019/0320976 A1 10/2019 Roslin et al.  
 2019/0348164 A1 11/2019 Bengtsson et al.  
 2020/0164209 A1 5/2020 Hogg et al.  
 2020/0196865 A1 6/2020 Kamath et al.  
 2020/0203012 A1 6/2020 Kamath et al.  
 2020/0272319 A1 8/2020 Bhavaraju et al.  
 2022/0057758 A1\* 2/2022 Huang ..... G06F 1/163

OTHER PUBLICATIONS

In the Drops: Supersapiens' Energy Band, Rapha rain jacket, salted caramel goodies and memes, [www.cyclist.co.uk](http://www.cyclist.co.uk), Jan. 28, 2022. <https://www.cyclist.co.uk/in-depth/10411/supersapiens-energy-band> (Year: 2022).\*

Supersapiens Glucose Display Wearable Is Designed Specifically For Athletes, [www.wearable-technologies.com](http://www.wearable-technologies.com), Sep. 24, 2021. <https://www.wearable-technologies.com/2021/09/supersapiens-glucose-display-wearable-is-designed-specifically-for-athletes/> (Year: 2021).\*

International Search Report & Written Opinion dated Jan. 25, 2021 for International Patent Application No. PCT/US20/48851.

\* cited by examiner

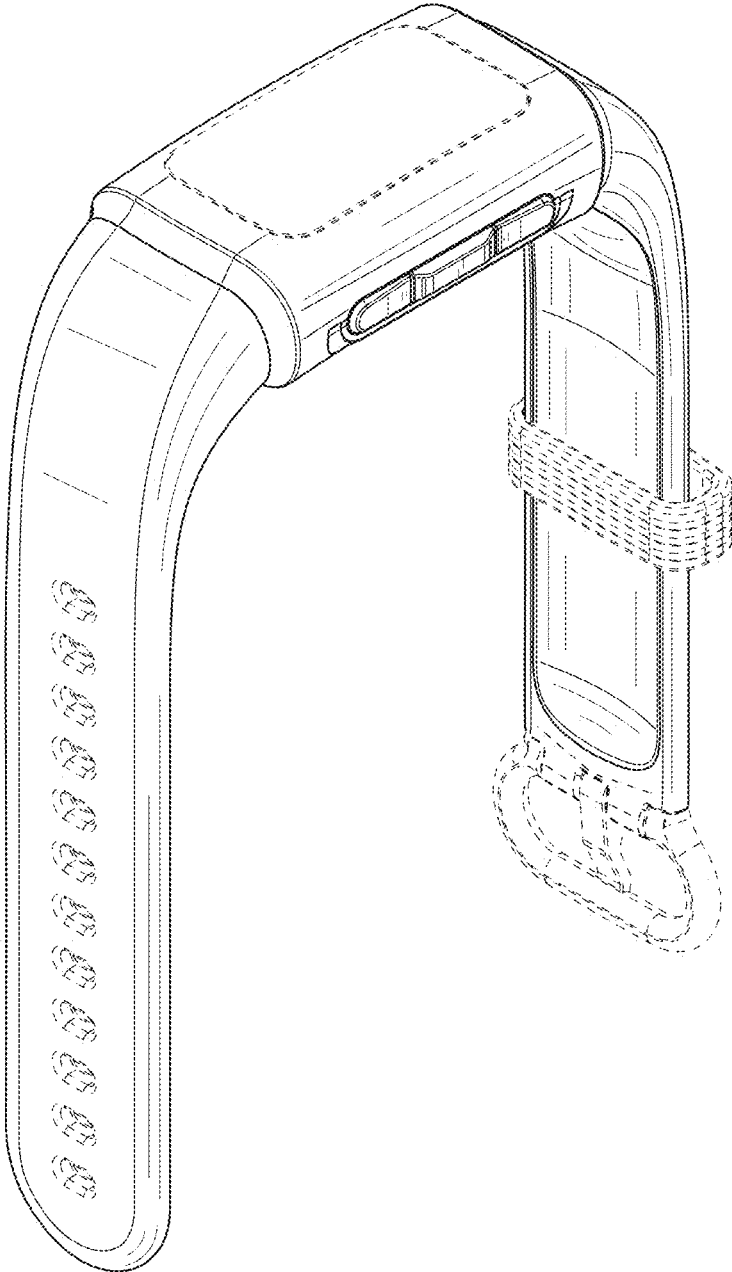


FIG. 1

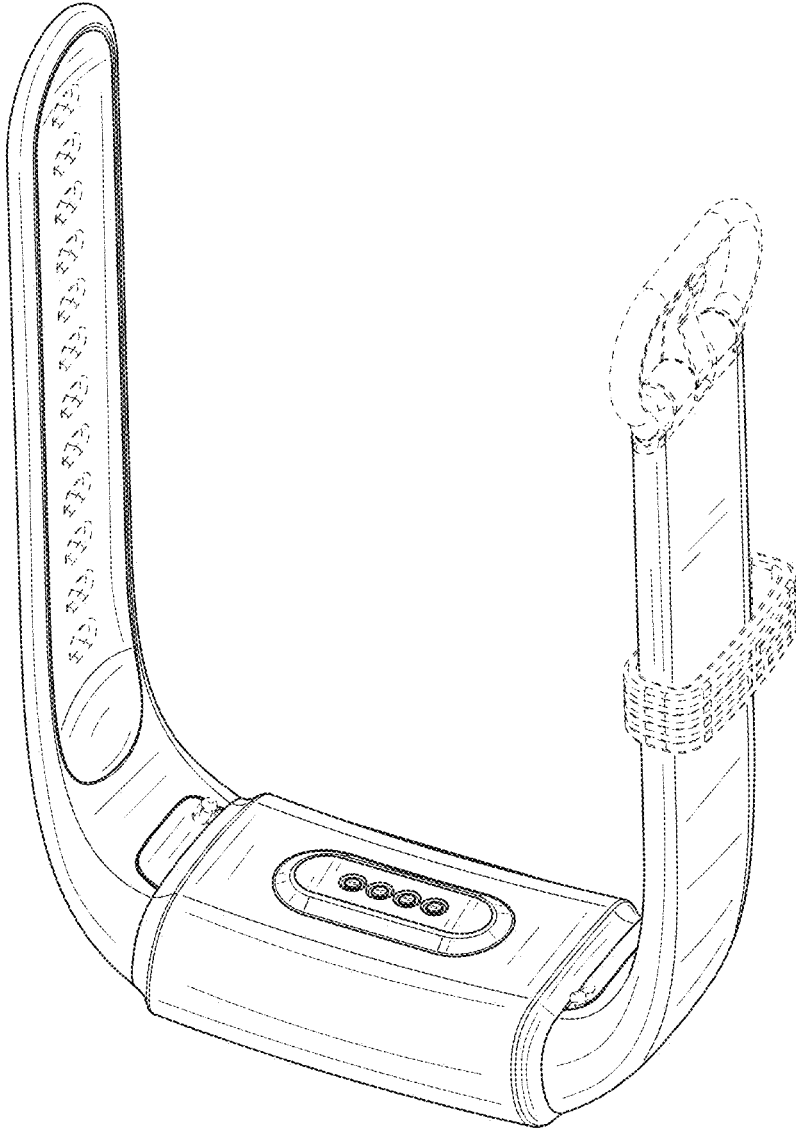


FIG. 2

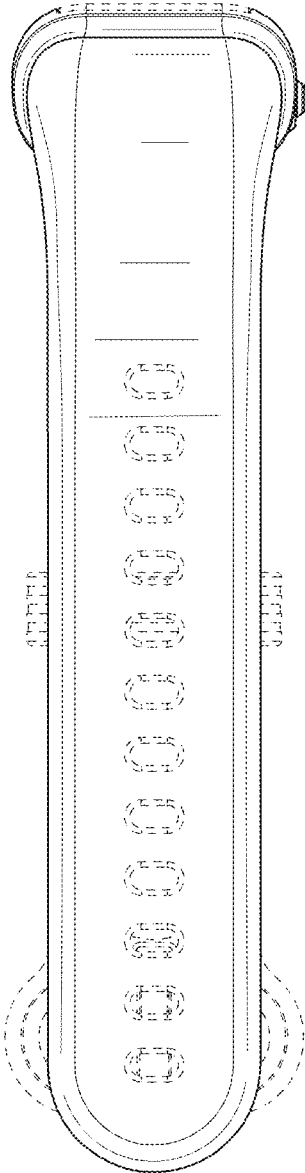


FIG. 3

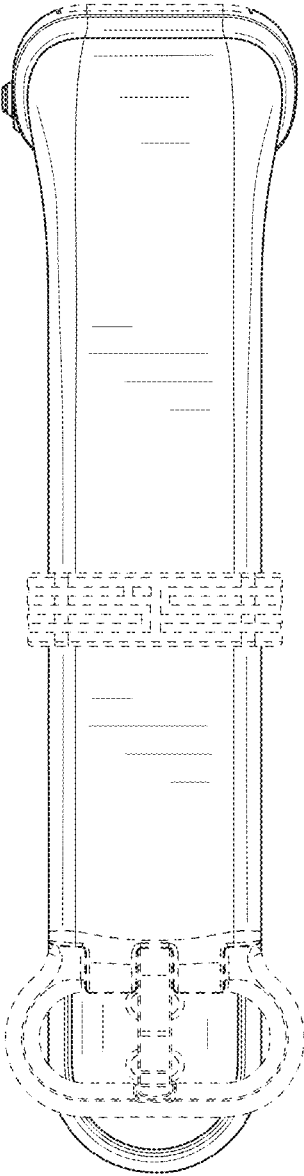


FIG. 4

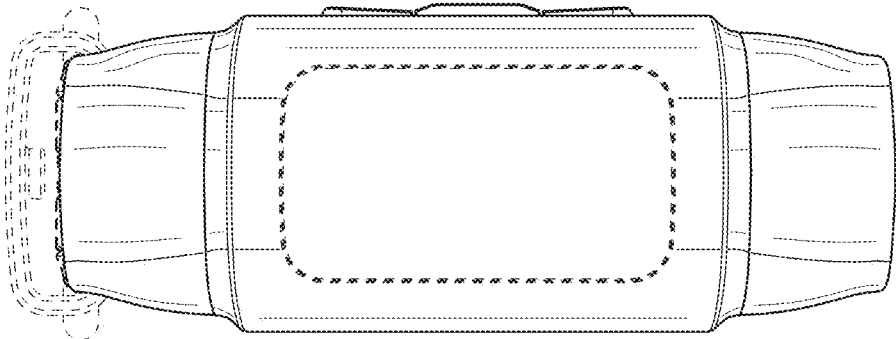


FIG. 5

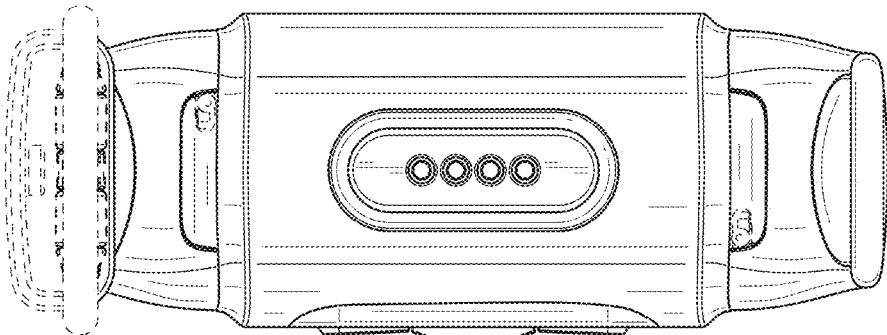


FIG. 6



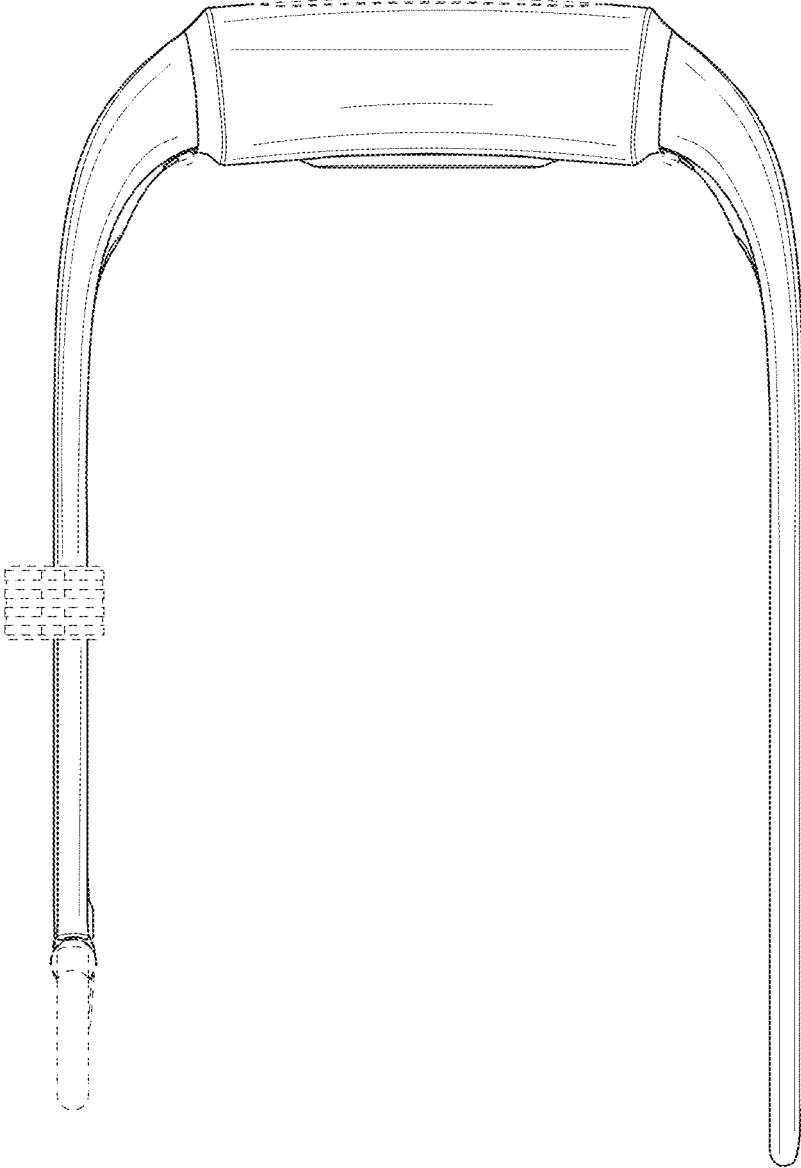


FIG. 7

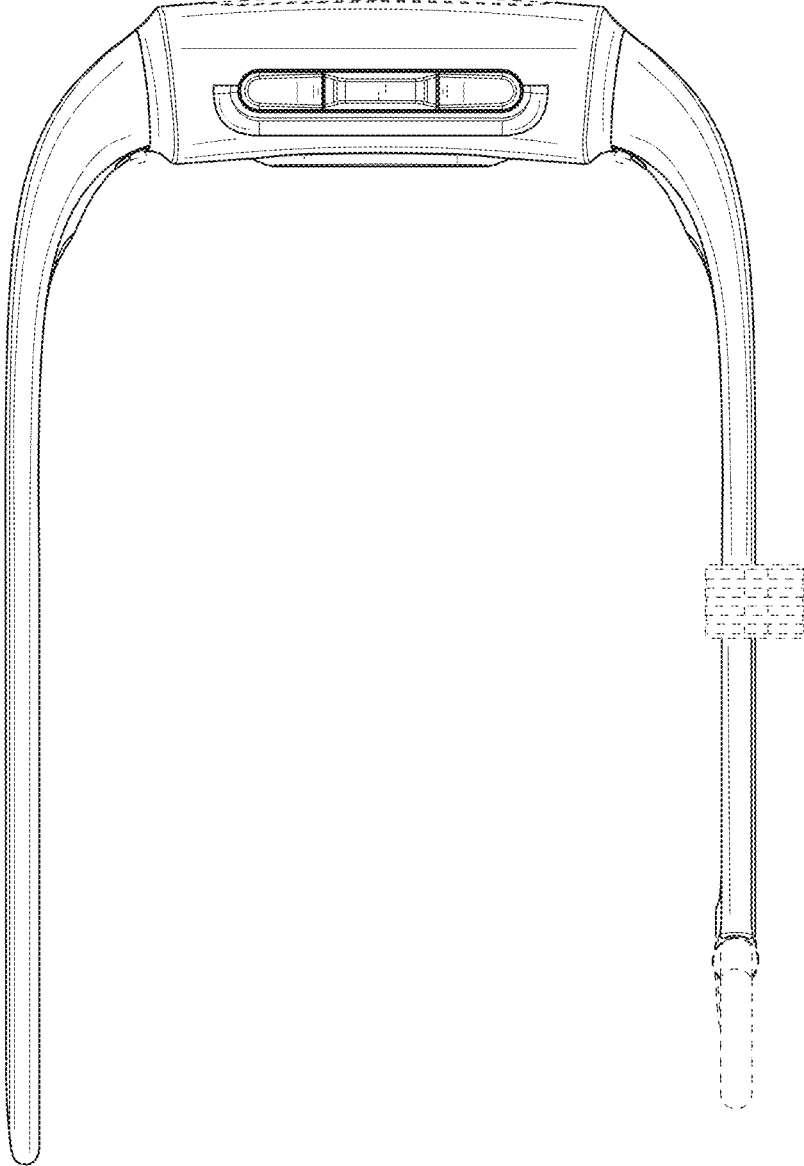


FIG. 8