



US0D1032929S

(12) **United States Design Patent** (10) **Patent No.:** **US D1,032,929 S**
Myles et al. (45) **Date of Patent:** **** Jun. 25, 2024**

(54) **CARTRIDGE FOR VAPORIZER DEVICE**

D942,675 S 2/2022 Ouyang
D943,156 S * 2/2022 Shen D27/162
D948,108 S 4/2022 He et al.

(71) Applicant: **Wellness Insight Technologies, Inc.**,
San Jose, CA (US)

(Continued)

(72) Inventors: **Christopher Ammon Myles**, San Jose,
CA (US); **Jonathan James Marshall**,
London (GB); **Paula Scher**, New York,
NY (US); **Guy Naor**, London (GB);
Yemima Lorberbaum, London (GB)

FOREIGN PATENT DOCUMENTS

EM 008925622-0001 4/2022
EM 008925622-0002 4/2022

(Continued)

(73) Assignee: **Wellness Insight Technologies, Inc.**,
San Jose, CA (US)

Primary Examiner — Marissa J Cash
Assistant Examiner — Nicholas J Buffa
(74) *Attorney, Agent, or Firm* — Procopio, Cory,
Hargreaves & Savitch LLP

(**) Term: **15 Years**

(57) **CLAIM**

(21) Appl. No.: **29/812,092**

The ornamental design for a cartridge for vaporizer device,
as shown and described.

(22) Filed: **Oct. 19, 2021**

(51) **LOC (14) Cl.** **27-07**

(52) **U.S. Cl.**

USPC **D27/162**

(58) **Field of Classification Search**

USPC D27/100, 101, 102–138, 139–161, 162,
D27/170, 171, 194–196; D23/360, 366;
D24/110, 110.5; D17/13

CPC A24F 40/00; A24F 40/05; A24F 40/40;
A24F 40/42; A24F 40/46; A24F 47/002;
A24F 47/008; A24D 1/02; A24D 1/14;
A24D 1/042; G06F 3/03545

See application file for complete search history.

DESCRIPTION

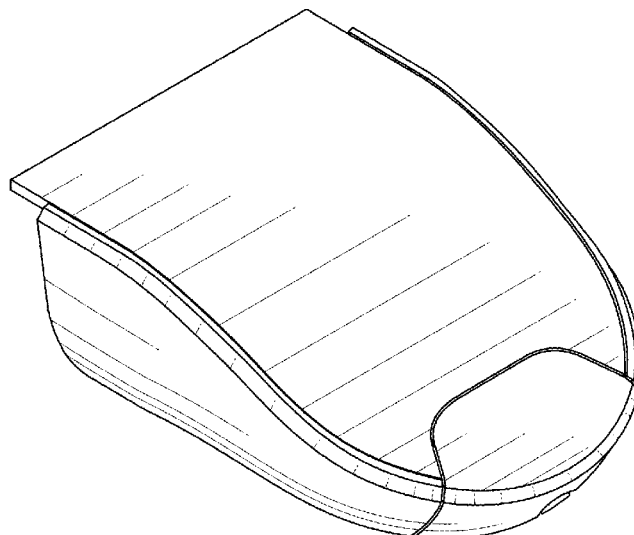
FIG. 1 is a front perspective view of the cartridge for
vaporizer device showing our new design;
FIG. 2 is a rear perspective view of the cartridge for
vaporizer device of FIG. 1;
FIG. 3 is a left side elevational view of the cartridge for
vaporizer device of FIG. 1;
FIG. 4 is a right side elevational view of the cartridge for
vaporizer device of FIG. 1;
FIG. 5 is a bottom plan view of the cartridge for vaporizer
device of FIG. 1;
FIG. 6 is a top plan view of the cartridge for vaporizer device
of FIG. 1;
FIG. 7 is a front elevational view of the cartridge for
vaporizer device of FIG. 1; and,
FIG. 8 is a rear elevational view of the cartridge for
vaporizer device of FIG. 1.
The broken lines in the drawings depict portions of the
cartridge for vaporizer device that form no part of the
claimed design.

(56) **References Cited**

U.S. PATENT DOCUMENTS

D849,918 S * 5/2019 Li D23/366
D849,921 S * 5/2019 Gobber D23/366
D884,267 S 5/2020 Wang
D900,385 S 10/2020 Wang
D902,475 S 11/2020 Liu
D921,280 S 6/2021 Rasmussen et al.
D921,977 S * 6/2021 Kim D27/167
D921,978 S * 6/2021 Kim D27/167

1 Claim, 5 Drawing Sheets



(56)

References Cited

U.S. PATENT DOCUMENTS

D949,091 S * 4/2022 Baldwin D13/103
D953,624 S 5/2022 Liao
D957,045 S 7/2022 Liu
D958,448 S 7/2022 Kim
D959,733 S 8/2022 Powell et al.
D985,188 S 5/2023 Yang et al.
D987,558 S * 5/2023 Baldwin D13/103
11,744,965 B2 9/2023 Alarcon
2020/0022416 A1 1/2020 Alarcon
2020/0367568 A1* 11/2020 Lim A24F 40/51

FOREIGN PATENT DOCUMENTS

EM 008925622-0003 4/2022
EM 008925622-0004 4/2022
GB 6172850 * 10/2021
GB 6199982 4/2022
GB 6199986 * 4/2022
GB 6199987 4/2022
GB 6199988 4/2022

* cited by examiner

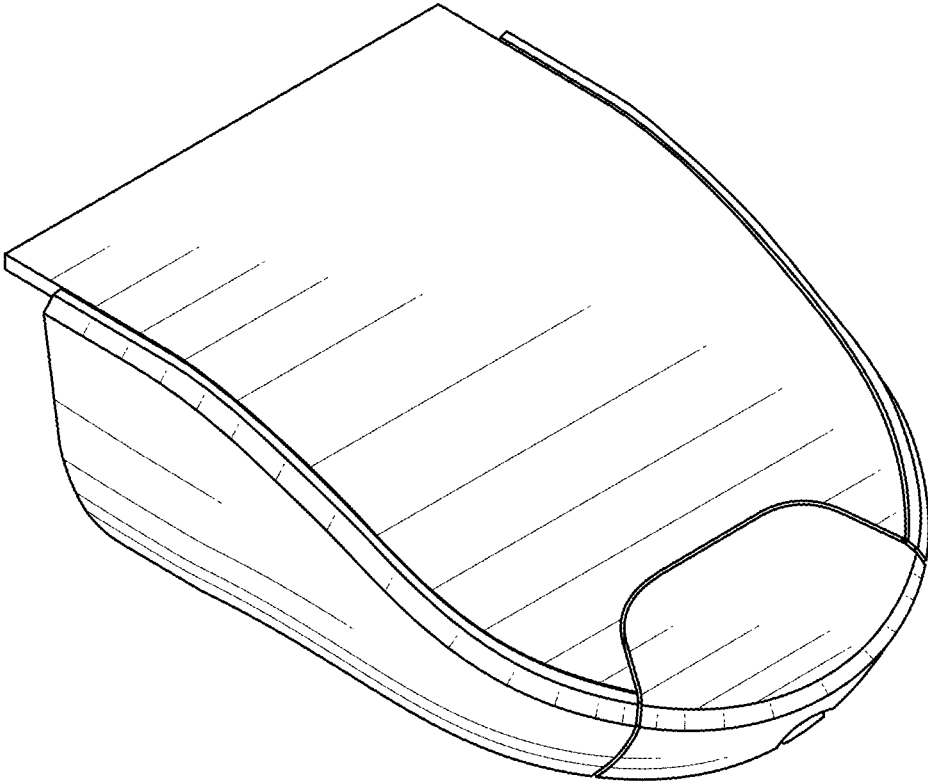


FIG. 1

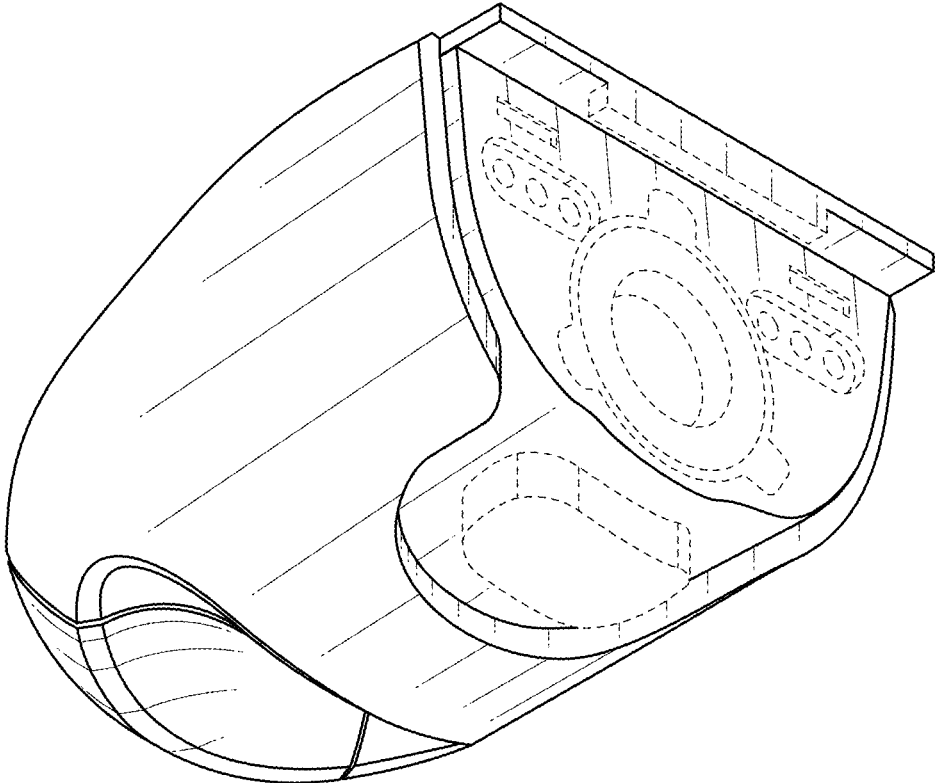


FIG. 2

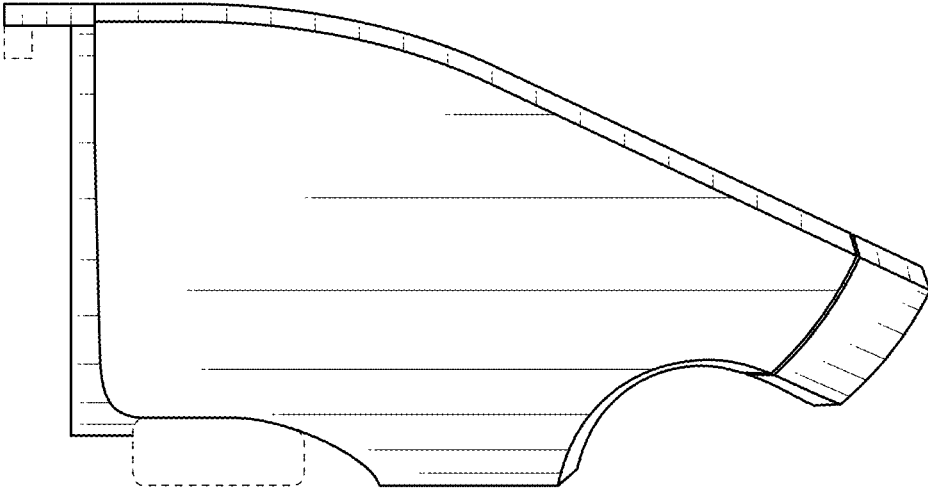


FIG. 3

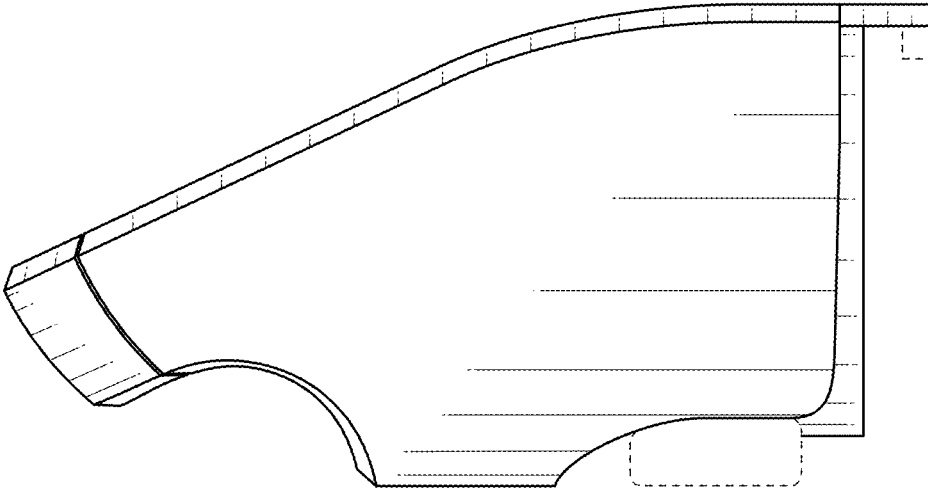


FIG. 4

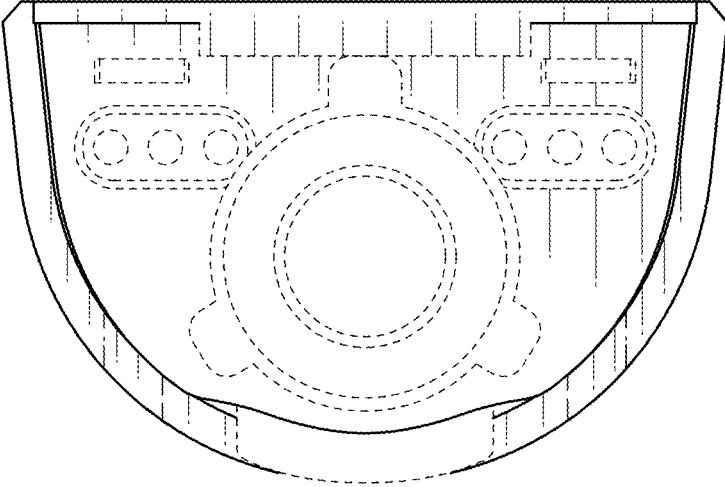


FIG. 5

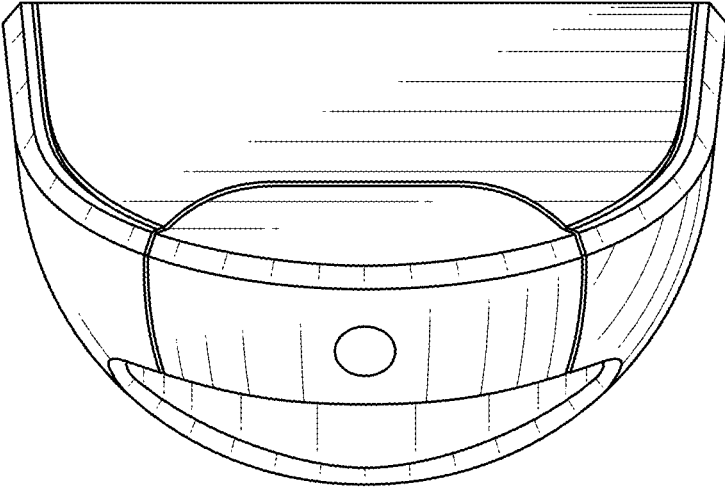


FIG. 6

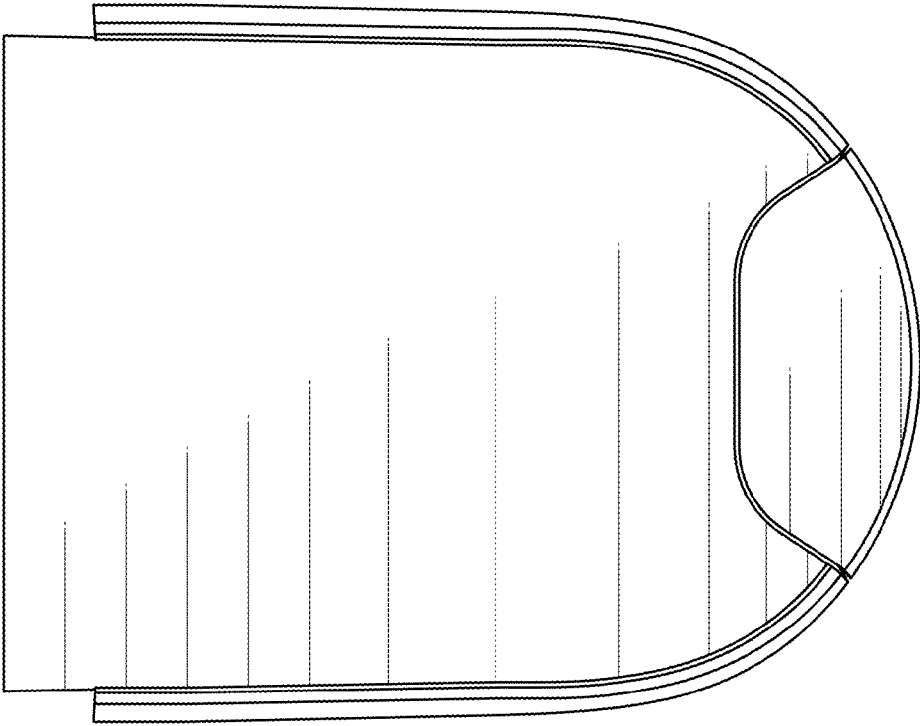


FIG. 7

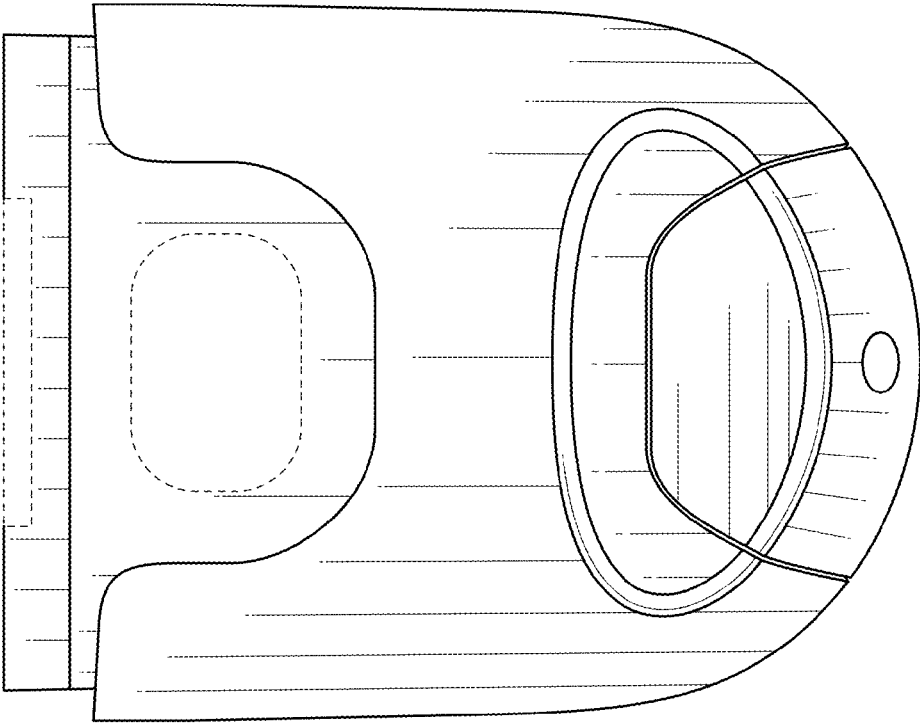


FIG. 8