



(12) **United States Design Patent**  
**Turksu et al.**

(10) **Patent No.:** **US D862,385 S**  
(45) **Date of Patent:** **\*\* Oct. 8, 2019**

(54) **MULTI-PORT ADAPTER**  
(71) Applicant: **SARIANA, LLC**, San Diego, CA (US)  
(72) Inventors: **Alan Turksu**, San Diego, CA (US);  
**Mustafa Burak Guclu**, San Diego, CA (US)  
(73) Assignee: **SARIANA, LLC**, San Diego, CA (US)  
(\*\*) Term: **15 Years**  
(21) Appl. No.: **29/626,748**

1,550,588 A 8/1925 Soldani  
1,646,562 A 10/1927 Snow  
1,671,862 A 5/1928 Heinz et al.  
D137,618 S 4/1944 Rolfes  
D147,151 S 7/1947 Schinske  
2,436,292 A 2/1948 De Mott  
2,629,023 A 2/1953 La Fitte  
2,878,324 A 3/1959 Guerrero  
2,987,585 A 6/1961 Abysalh  
3,224,644 A 12/1965 Davis  
3,693,923 A 9/1972 Ayoub  
(Continued)

(22) Filed: **Nov. 20, 2017**  
(51) **LOC (12) Cl.** ..... **13-02**  
(52) **U.S. Cl.**  
USPC ..... **D13/108**  
(58) **Field of Classification Search**  
USPC ..... D13/103, 107-108, 110, 146; D14/356,  
D14/432, 433, 434; D27/162, 167;  
D7/512, 513, 700  
CPC ..... Y02E 60/10; Y02E 60/12; Y02E 60/122;  
Y02E 60/124; Y02E 60/50; H01M 2/02;  
H01M 2/022; H01M 2/0202; H01M  
2/0207; H01M 2/0212; H01M 2/1061;  
H01M 2/1022; H01M 2/1055; H01M  
2/1066; H01M 2/105; H01M 2/20; H01M  
2/202; H01M 2/204; H01M 2/206; H01M  
10/44; H01M 10/46; H01M 10/465;  
H01M 10/482; H01M 2200/30; H01M  
2250/30; H01M 2250/40; H02J 7/00;  
H02J 7/0003; H02J 7/0011; H02J 7/0013;  
H02J 7/0054; H02J 7/0055; H02J 7/0057;  
H02J 2007/0062  
See application file for complete search history.

(56) **References Cited**  
**U.S. PATENT DOCUMENTS**  
1,165,840 A 12/1915 Brutus  
1,359,347 A 11/1920 Fleisher  
1,475,605 A 11/1923 Smith

**OTHER PUBLICATIONS**

Satechi Aluminum Multi-Port Adapter 4k HDMI, Satechi, published on Jan. 20, 2017, retrieved on Dec. 3, 2018, retrieved from the Internet URL: <https://www.youtube.com/watch?v=u0k1CJwNmGw>.\*

(Continued)

*Primary Examiner* — Jennifer Rivard  
*Assistant Examiner* — Alison M Ofstun  
(74) *Attorney, Agent, or Firm* — Wagenknecht IP Law Group PC

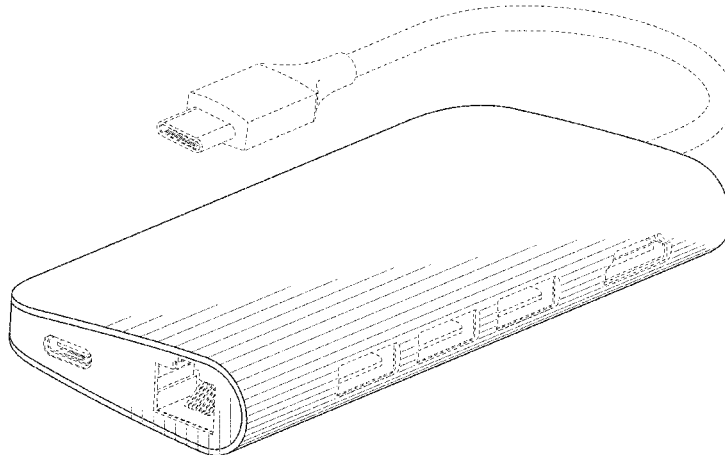
(57) **CLAIM**

The ornamental design for a multi-port adapter, as shown and described.

**DESCRIPTION**

FIG. 1 is a front, top, right perspective view of a multi-port adapter showing our new design;  
FIG. 2 is a rear, top, right perspective view thereof;  
FIG. 3 is a top plan view thereof;  
FIG. 4 is a bottom plan view thereof;  
FIG. 5 is a front elevational view thereof;  
FIG. 6 is a rear elevational view thereof;  
FIG. 7 is a right side elevational view thereof; and,  
FIG. 8 is a left side elevational view thereof.  
The broken lines in the figures represent portions of the article which form no part of the claimed design.

**1 Claim, 6 Drawing Sheets**



(56)

References Cited

U.S. PATENT DOCUMENTS

3,695,568	A	10/1972	Hogrebe	D602,008	S	10/2009	Bentley et al.	
D227,117	S	6/1973	Breger	D602,911	S	10/2009	Wang et al.	
D230,014	S	1/1974	Edgell, Sr.	D602,917	S	10/2009	Bentley	
4,060,697	A	11/1977	Neal	D602,940	S	10/2009	McLean	
D254,594	S	4/1980	Picard	D604,725	S	11/2009	Chen	
D273,840	S	5/1984	Morita	D606,549	S	12/2009	He	
4,527,018	A	7/1985	Offredi	D610,156	S	2/2010	Mudrick	
D285,772	S	9/1986	Oliver	D627,306	S	11/2010	Charleux	
D286,636	S	11/1986	Cooke et al.	D635,978	S	4/2011	Chen	
4,856,746	A	8/1989	Wrobel	D641,753	S	7/2011	Obata	
D308,870	S	6/1990	Rioum	D642,585	S	8/2011	Lan et al.	
D320,992	S	10/1991	Jondelius	D645,027	S	9/2011	Mistry et al.	
5,095,382	A	3/1992	Abe	D646,683	S	10/2011	Tao et al.	
D325,578	S	4/1992	Daïdo et al.	D657,305	S	* 4/2012	Nomi	D13/102
D329,370	S	9/1992	Manning	D658,640	S	5/2012	Ivaskevicius	
5,144,290	A	9/1992	Honda	D659,087	S	* 5/2012	Nomi	D13/102
D341,567	S	* 11/1993	Acker	D659,094	S	5/2012	Brand et al.	
5,367,570	A	11/1994	Figueroa	D661,249	S	6/2012	Smith et al.	
D353,532	S	12/1994	Miller	D662,089	S	6/2012	Mistry et al.	
D355,913	S	2/1995	Chong	D663,300	S	* 7/2012	Kim	D14/407
D357,016	S	4/1995	Li et al.	D664,146	S	7/2012	Hoehn	
D357,248	S	4/1995	Cheng	D665,734	S	8/2012	Fitch	
D361,987	S	9/1995	Yamazaki	D669,473	S	10/2012	Gronau et al.	
D369,149	S	4/1996	Chang et al.	D669,888	S	10/2012	Mistry et al.	
D371,793	S	7/1996	Patton	D670,291	S	11/2012	Dalton	
D387,784	S	12/1997	Nakamura	D670,297	S	11/2012	Huang	
D395,280	S	6/1998	Phelps	D671,096	S	11/2012	Song et al.	
D400,429	S	11/1998	Morita	D671,528	S	11/2012	Fathollahi	
D405,064	S	2/1999	Iino	D677,259	S	3/2013	van der Lande	
D407,985	S	4/1999	Pimentel	D678,286	S	3/2013	Cheng	
D413,574	S	9/1999	Goto	D683,251	S	5/2013	Dumas et al.	
D426,491	S	6/2000	Chan	D684,145	S	6/2013	Rath	
D430,882	S	9/2000	Tsai	D685,806	S	7/2013	Kim et al.	
D432,496	S	10/2000	Collins	D687,009	S	7/2013	Song et al.	
D433,005	S	10/2000	McGugan Steve	D688,198	S	8/2013	Takeshita et al.	
D435,835	S	1/2001	Steck	D688,248	S	8/2013	Tsuda et al.	
D438,451	S	3/2001	Reiter	D688,255	S	8/2013	Daniel	
D441,639	S	5/2001	Reiter	8,512,079	B2	8/2013	Vroom et al.	
6,321,340	B1	11/2001	Shin et al.	D689,858	S	9/2013	Lo et al.	
D454,482	S	3/2002	Morita	D690,707	S	10/2013	Minn et al.	
D461,400	S	8/2002	Aoki	D691,879	S	10/2013	Bernard	
D461,794	S	8/2002	Polito et al.	D691,947	S	10/2013	Cole	
D464,562	S	10/2002	Reiter	D692,024	S	10/2013	Seong et al.	
D464,972	S	10/2002	Carrasco, Jr.	D693,768	S	11/2013	Alesi et al.	
D478,086	S	8/2003	Chuang	D696,673	S	12/2013	Vogel	
D478,087	S	8/2003	Aldridge	D700,904	S	3/2014	Miller et al.	
6,612,534	B2	9/2003	Hennessey	D701,838	S	4/2014	Esses	
D482,674	S	11/2003	Rath et al.	D702,146	S	4/2014	Giovanni	
D484,128	S	12/2003	Chung	D702,242	S	4/2014	Tsuda et al.	
D492,307	S	6/2004	Aqqad et al.	D704,177	S	5/2014	Chun et al.	
D496,029	S	9/2004	Skulley et al.	D705,189	S	5/2014	Chovin	
D511,985	S	11/2005	Kelly	D705,748	S	5/2014	He	
D512,417	S	12/2005	Hirakawa et al.	D706,248	S	6/2014	Myung	
D515,040	S	2/2006	Jones et al.	D706,249	S	6/2014	Holzer	
D518,030	S	3/2006	Lin	D709,066	S	7/2014	Byun	
D522,531	S	6/2006	Solomon et al.	D709,892	S	7/2014	Lui	
D526,973	S	8/2006	Gates et al.	D711,884	S	8/2014	Turksu et al.	
D530,525	S	10/2006	Greene	8,838,029	B2	9/2014	Goldman et al.	
D533,106	S	10/2007	Griffin	D715,132	S	10/2014	McSweyn et al.	
D534,115	S	10/2007	Liu	D715,797	S	10/2014	Hiraga	
D559,848	S	1/2008	Siu	D717,803	S	11/2014	Takano et al.	
D559,849	S	1/2008	Siu	D718,612	S	12/2014	McSweyn et al.	
D560,165	S	1/2008	Matityahu	D720,691	S	1/2015	Lo et al.	
D561,345	S	2/2008	Flick	D720,755	S	1/2015	Nokuo	
D564,501	S	3/2008	Rath	D724,080	S	3/2015	Lin et al.	
D580,436	S	11/2008	Kiyomiya	D725,088	S	3/2015	Kwak et al.	
D587,706	S	* 3/2009	Maiers	D726,161	S	4/2015	Howard et al.	
7,499,271	B2	3/2009	Wagatsuma et al.	D727,906	S	4/2015	Neumann	
D591,270	S	4/2009	Jakobson	D728,467	S	5/2015	Hasbrook	
D593,103	S	5/2009	Richter	D729,277	S	5/2015	Uchida	
D593,998	S	6/2009	Bentley et al.	D729,773	S	5/2015	Salojani et al.	
D595,697	S	7/2009	Mao et al.	D733,043	S	6/2015	Hasbrook et al.	
D599,331	S	9/2009	Bentley et al.	D733,144	S	6/2015	Kostrzewski et al.	
D600,925	S	9/2009	Guffey et al.	D736,150	S	8/2015	Liu	
D601,564	S	10/2009	Maeno	D737,201	S	8/2015	Liu	
				D739,708	S	9/2015	McSweyn et al.	
				D740,291	S	10/2015	Turksu et al.	
				D743,382	S	11/2015	Katori	
				D743,924	S	11/2015	Hillenmayer	

(56)

References Cited

U.S. PATENT DOCUMENTS

D743,954 S 11/2015 Chuang et al.  
 D746,165 S 12/2015 Li  
 D746,166 S 12/2015 Li  
 D747,229 S 1/2016 Perez  
 D747,984 S 1/2016 Zhao et al.  
 D750,083 S 2/2016 Chow  
 D750,612 S 3/2016 Chen  
 D750,633 S 3/2016 Minn et al.  
 D751,527 S 3/2016 Hinokio  
 D751,564 S 3/2016 Hahn  
 D753,090 S 4/2016 Langhammer et al.  
 D754,131 S 4/2016 Shim  
 D762,170 S \* 7/2016 Lei ..... D13/108  
 D763,790 S \* 8/2016 Lei ..... D13/108  
 D765,623 S 9/2016 Yang et al.  
 D765,651 S 9/2016 Liu et al.  
 D766,844 S 9/2016 Turksu et al.  
 D767,486 S 9/2016 Yu  
 9,441,659 B2 9/2016 Ortwein  
 D769,860 S 10/2016 Xiao  
 D772,216 S 11/2016 Lau  
 D772,879 S 11/2016 Eliyahu  
 D774,514 S 12/2016 Turksu et al.  
 D775,534 S 1/2017 Turksu et al.  
 D776,659 S 1/2017 Hou  
 D778,714 S 2/2017 McSweyn et al.  
 D779,493 S 2/2017 Eliyahu  
 D780,116 S \* 2/2017 Bing ..... D13/107  
 D780,168 S 2/2017 Du  
 D780,186 S 2/2017 Lee  
 D781,297 S 3/2017 Liao  
 D782,462 S 3/2017 Huang  
 D782,476 S 3/2017 Yamazaki  
 D782,485 S 3/2017 Cai  
 D782,901 S 4/2017 Richter  
 D783,592 S 4/2017 Ju  
 D786,874 S 5/2017 Eliyahu  
 D786,885 S \* 5/2017 Eliyahu ..... D14/480.1  
 D788,080 S 5/2017 Turksu et al.  
 D788,112 S 5/2017 Liao  
 9,690,743 B2 6/2017 Eliyahu  
 D791,070 S \* 7/2017 Son ..... D13/103  
 D791,138 S \* 7/2017 Eliyahu ..... D14/435.1  
 D793,397 S 8/2017 Eliyahu  
 D794,028 S 8/2017 Lin  
 D795,876 S 8/2017 Fletcher  
 D797,747 S 9/2017 Xu  
 D798,301 S 9/2017 Kujawski et al.  
 D798,811 S 10/2017 Liao  
 D799,423 S 10/2017 Eliyahu  
 D799,464 S 10/2017 Zaihui

D800,730 S 10/2017 Liao  
 D802,404 S 11/2017 Turksu et al.  
 D803,779 S \* 11/2017 Jung ..... D13/107  
 D809,793 S \* 2/2018 Hahn ..... D3/249  
 D812,577 S 3/2018 Turksu et al.  
 D813,805 S 3/2018 Zhong  
 D813,875 S 3/2018 Liao  
 D814,413 S 4/2018 Zhong  
 D815,036 S \* 4/2018 Martorell ..... D13/108  
 D815,639 S 4/2018 Lau  
 D816,030 S 4/2018 Sumida  
 D820,264 S 6/2018 Lai  
 D824,328 S \* 7/2018 Liu ..... D13/108  
 D826,942 S 8/2018 Lu  
 D828,839 S 9/2018 Zhang  
 D828,840 S 9/2018 Zhang  
 D828,841 S 9/2018 Zhang  
 2002/0003875 A1 1/2002 Stewart et al.  
 2003/0148656 A1 \* 8/2003 Huang ..... H01R 13/6658  
 439/501  
 2005/0245254 A1 11/2005 Hall  
 2012/0255505 A1 10/2012 Gauthier  
 2013/0224976 A1 8/2013 Yu et al.  
 2013/0272775 A1 10/2013 Ortwein  
 2013/0292481 A1 11/2013 Filson  
 2014/0138419 A1 5/2014 Minn et al.  
 2015/0171386 A1 \* 6/2015 Yang ..... H01M 2/1022  
 429/163  
 2017/0035172 A1 2/2017 Kim  
 2017/0170858 A1 6/2017 Tiller et al.

OTHER PUBLICATIONS

Ugreen USB C Hub VGA Type C Multiport Adapter, Ugreen, first available on amazon.com on Apr. 7, 2018, retrieved on Dec. 3, 2018, retrieved from the Internet URL: [https://www.amazon.com/UGREEN-Multiport-Delivery-Charging-ChromeBook/dp/B076WX1VKZ/ref=sr\\_1\\_1\\_sspa?ie=UTF8&qid=1543851422&sr=8-1-spons&keywords=ugreen+adapte.\\*](https://www.amazon.com/UGREEN-Multiport-Delivery-Charging-ChromeBook/dp/B076WX1VKZ/ref=sr_1_1_sspa?ie=UTF8&qid=1543851422&sr=8-1-spons&keywords=ugreen+adapte.*)  
 Turksu et al. "Certificate of Registration for European Community Design Registration No. 003618826-0001," Registration Date: Jan. 11, 2017. EUIPO.  
 Turksu et al. "Certificate of Registration for European Community Design Registration No. 003618834-0001," Registration Date: Jan. 11, 2017. EUIPO.  
 Sariana, LLC, US Registration No. 5,134,820, Jan. 31, 2017.  
 Hong, Thomas. "Quick Look: Satechi Premium 4 Port Aluminum." [retrieved from Internet] <http://iSource.com/2012/07/04/quick-look-satechi-premium-4-port-aluminum-usb-hub/>, Jul. 4, 2012 [retrieved from Internet on Nov. 1, 2017] 13 pgs.

\* cited by examiner

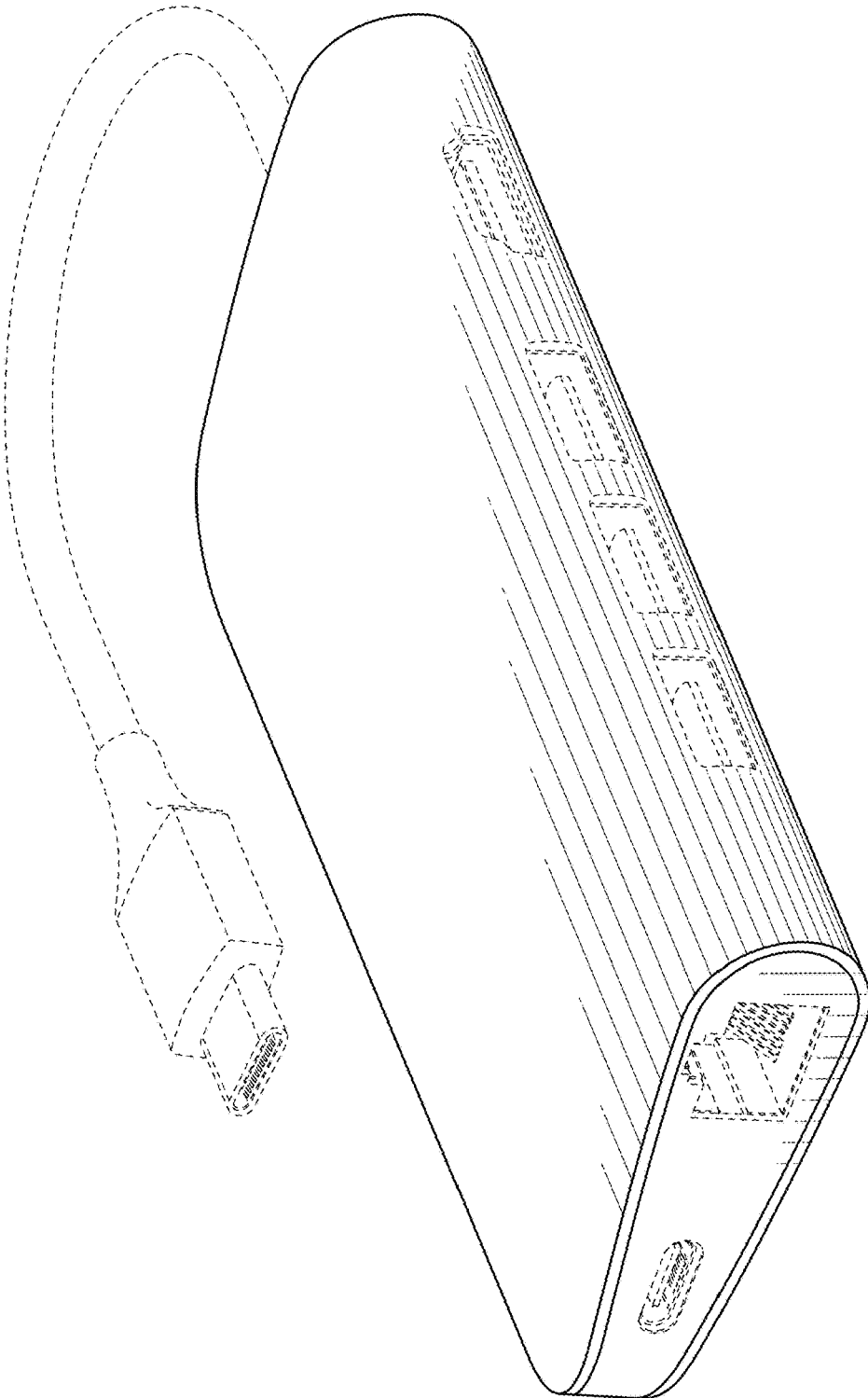


FIG. 1

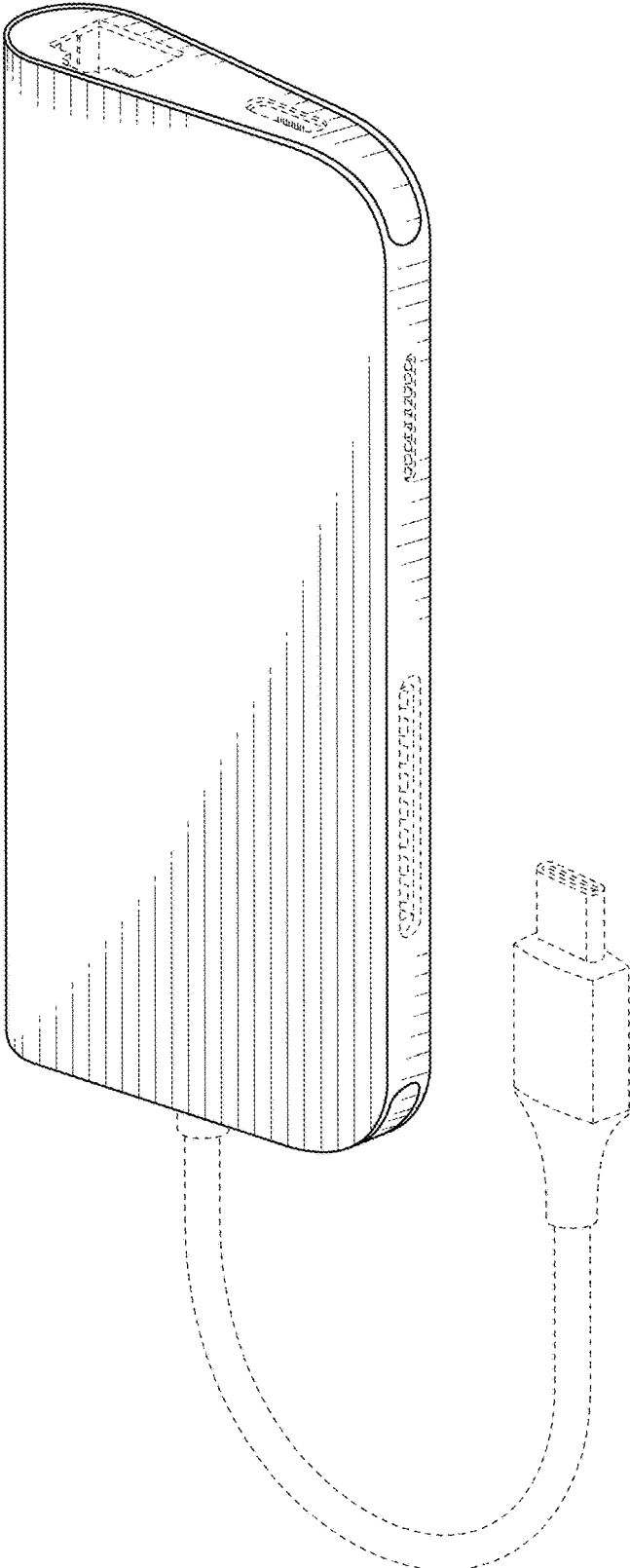


FIG. 2

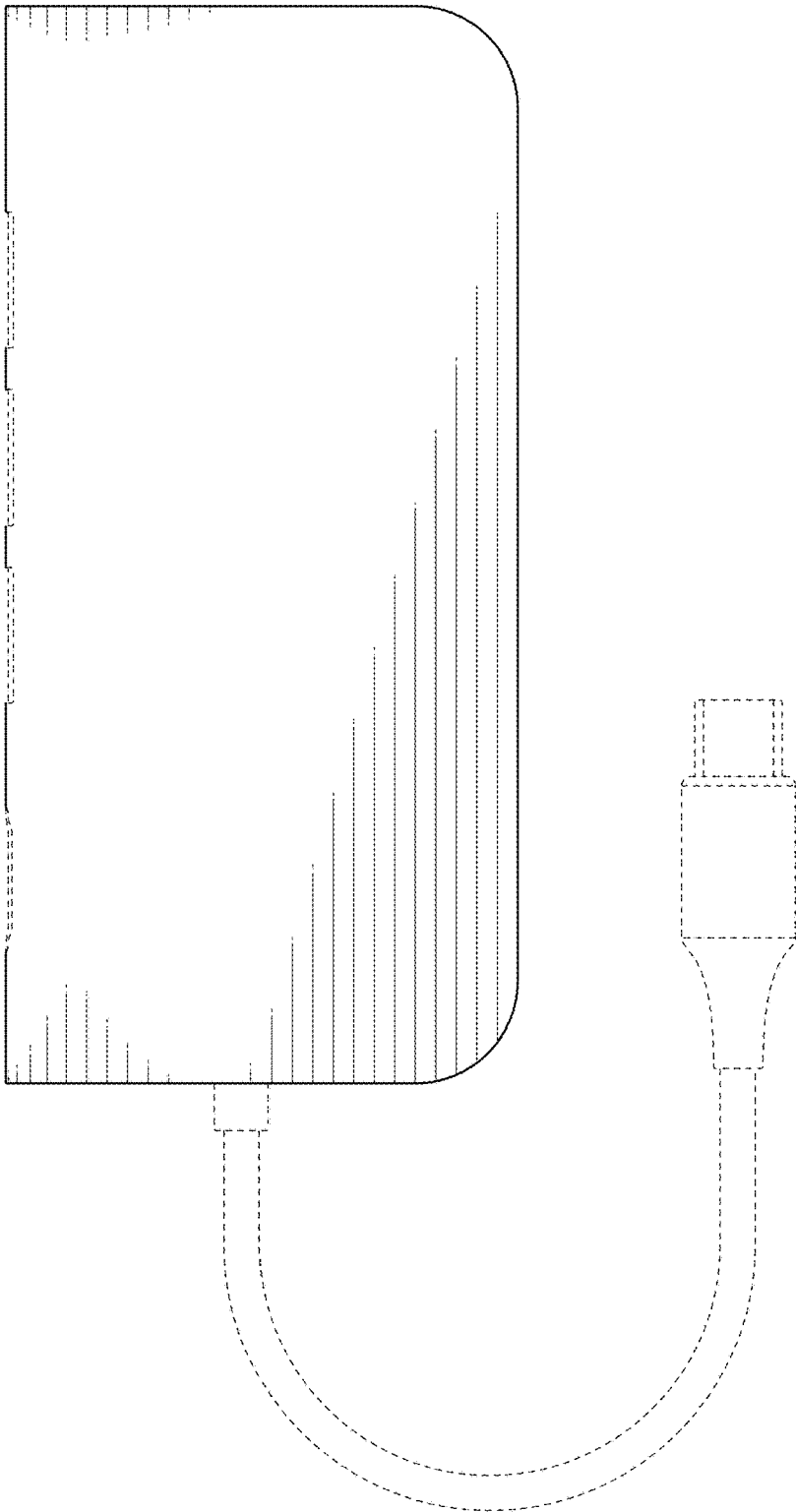


FIG. 3

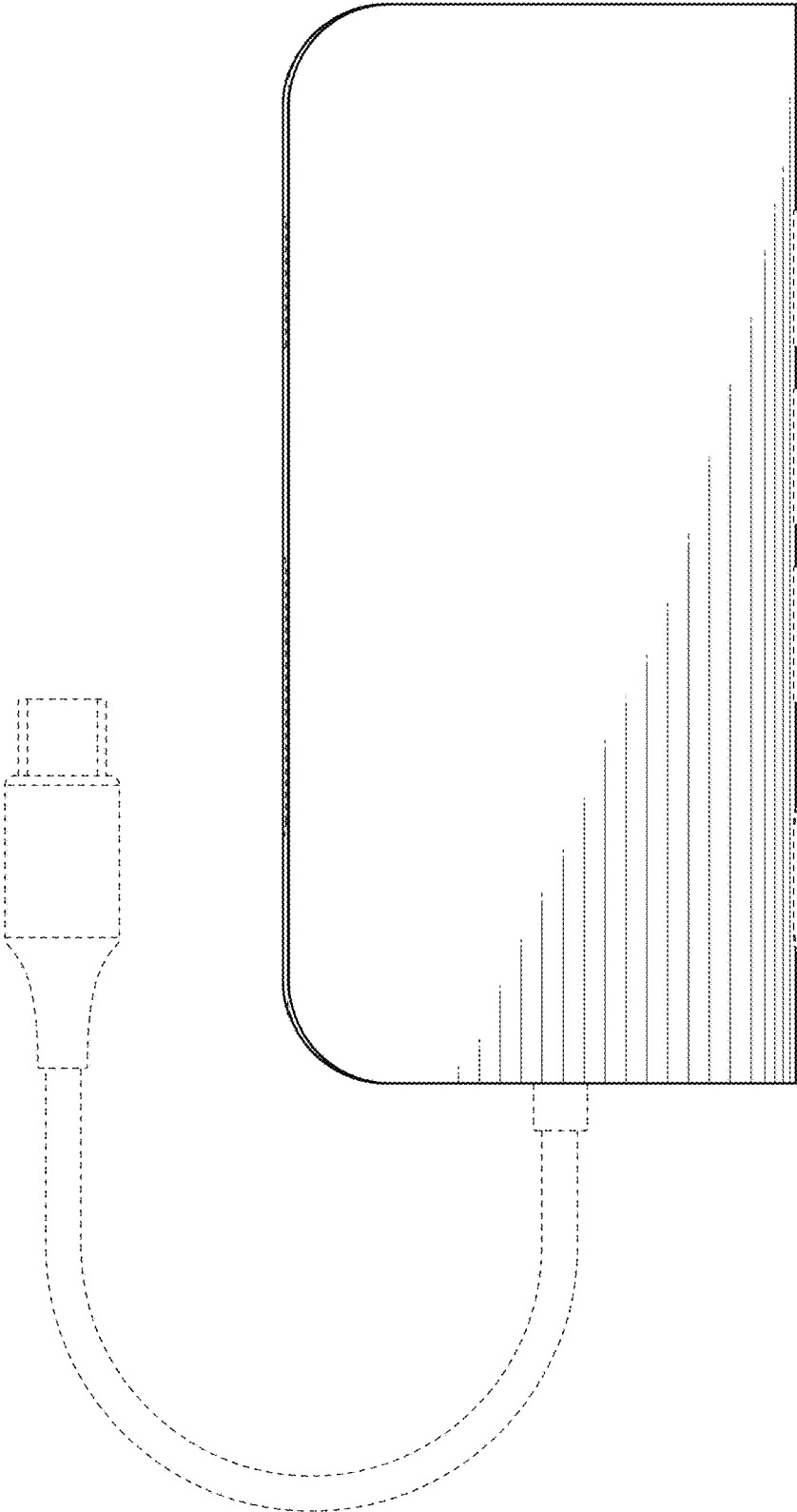


FIG. 4

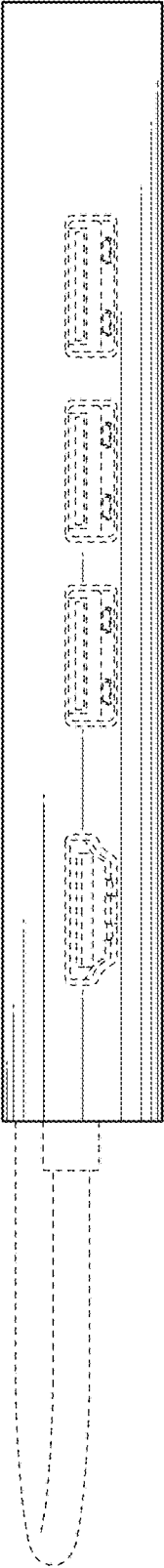


FIG. 5

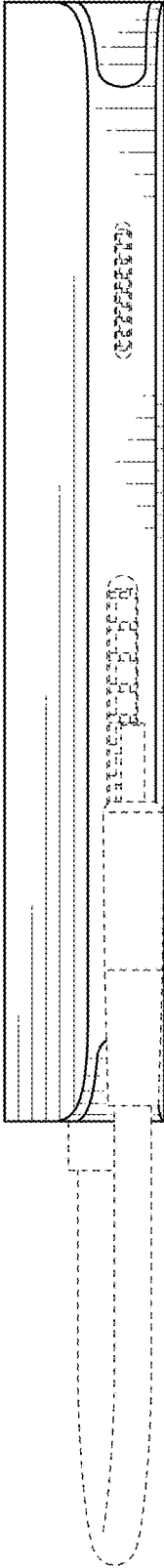


FIG. 6



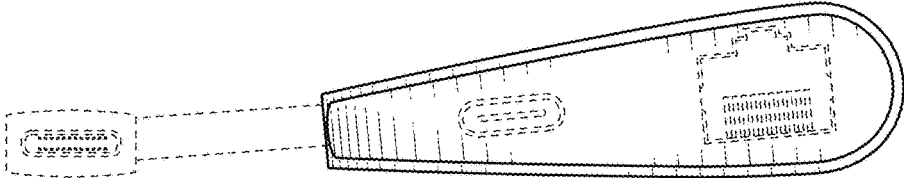


FIG. 7

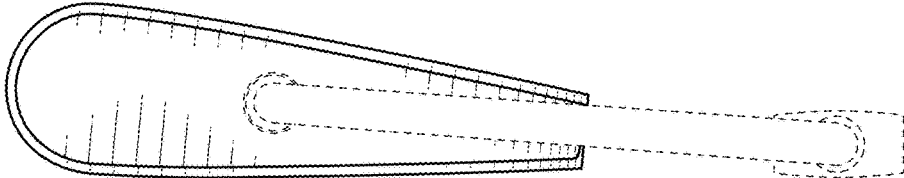


FIG. 8