



US00D745929S

(12) **United States Design Patent**  
**Clark et al.**

(10) **Patent No.:** **US D745,929 S**

(45) **Date of Patent:** **\*\* Dec. 22, 2015**

(54) **SIGN SUPPORT STRUCTURE**

(71) Applicant: **TARGET BRANDS, INC.,**  
Minneapolis, MN (US)

(72) Inventors: **Jeremy A. Clark**, Minneapolis, MN (US); **Joseph R. Stukenberg**, Minneapolis, MN (US); **Timothy James Martell**, Brooklyn Park, MN (US); **Scott E. Denby**, Minneapolis, MN (US)

(73) Assignee: **TARGET BRANDS, INC.,**  
Minneapolis, MN (US)

(\*\*) Term: **14 Years**

(21) Appl. No.: **29/483,983**

(22) Filed: **Mar. 5, 2014**

(51) **LOC (10) CI.** ..... **20-03**

(52) **U.S. CI.**  
USPC ..... **D20/43**

(58) **Field of Classification Search**  
USPC ..... D20/10, 19, 43, 44, 99; D25/119  
CPC ..... G09F 1/10; G09F 3/08; G09F 3/16;  
G09F 3/18; G09F 3/20; G09F 3/201; G09F  
3/202; G09F 3/203; G09F 3/204; G09F 7/00;  
G09F 7/02; G09F 7/06; G09F 7/08; G09F  
7/18; G09F 7/20; G09F 7/22; G09F 15/00;  
G09F 15/0012; G09F 15/0037; G09F 15/02;  
A47F 5/08; A47F 5/0815; A47F 5/0869  
See application file for complete search history.

4,698,928 A 10/1987 Soporowski  
4,798,013 A 1/1989 Sainato  
D350,157 S \* 8/1994 Hart ..... D20/43  
5,437,116 A 8/1995 Hardy  
5,465,516 A 11/1995 Stabile  
6,015,124 A \* 1/2000 Loy ..... A47F 5/0815  
248/220.31  
6,108,956 A 8/2000 Conway et al.  
6,434,871 B2 8/2002 Conway  
D608,837 S \* 1/2010 Trinh ..... D20/43  
7,909,296 B2 3/2011 Moran-Grover et al.  
D640,122 S 6/2011 Stearns et al.  
8,291,630 B2 10/2012 Schwartz  
D685,855 S 7/2013 Hawkins  
D685,856 S 7/2013 Hawkins  
8,590,189 B2 11/2013 Schwartz  
D704,269 S \* 5/2014 Logan ..... D20/43  
2004/0098895 A1 \* 5/2004 Sparkowski ..... G09F 7/18  
40/617  
2007/0261282 A1 11/2007 Maman et al.  
2013/0263486 A1 10/2013 Logan et al.  
2014/0029259 A1 \* 1/2014 Auyeung ..... F21V 29/2206  
362/249.02  
2015/0243194 A1 \* 8/2015 Schmidt ..... F16M 13/022  
434/408

**OTHER PUBLICATIONS**

Office Action from Canadian Patent Application No. 155,565, mailed Sep. 18, 2014 (4 pages).

\* cited by examiner

*Primary Examiner* — Mary Ann Calabrese  
(74) *Attorney, Agent, or Firm* — Griffiths & Seaton PLLC;  
JoAnn M. Seaton

(57) **CLAIM**  
The ornamental design for a sign support structure, as shown and described.

(56) **References Cited**

U.S. PATENT DOCUMENTS

949,578 A \* 2/1910 Keene ..... G09F 7/08  
40/618  
1,059,653 A 4/1913 Ash  
1,915,116 A 6/1933 Barrett  
2,106,839 A 2/1938 Gilbert  
4,541,675 A 9/1985 Everett  
4,611,866 A 9/1986 Everett  
4,633,788 A 1/1987 Robertson  
4,672,757 A 6/1987 Field

**DESCRIPTION**

FIG. 1 is a front, perspective view of a sign support structure showing our new design;  
FIG. 2 is a front view thereof;  
FIG. 3 is a rear view thereof;  
FIG. 4 is a right side view thereof, the left side view being a mirror image of the right side view;

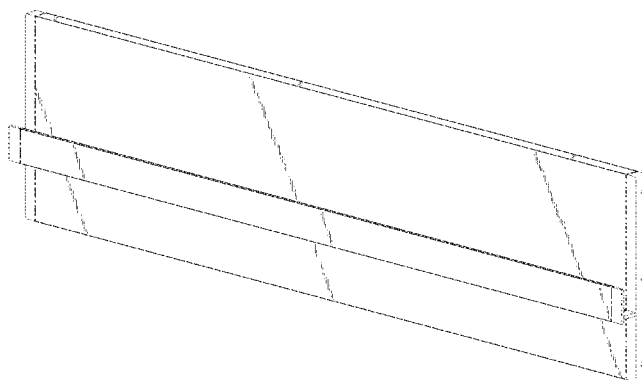


FIG. 5 is a cross-sectional view taken along the line 5-5 in FIG. 2;

FIG. 6 is a top view thereof; and  
FIG. 7 is a bottom view.

FIG. 8 is a front, perspective view of the sign support structure of FIG. 1 with additional environmental subject matter including a sign shown in broken lines;

FIG. 9 is a front view thereof;

FIG. 10 is a rear view thereof;

FIG. 11 is a right side view thereof, the left side view being a mirror image of the right side view;

FIG. 12 is a top view thereof; and

FIG. 13 is a bottom view.

FIG. 14 is a front, perspective view of the sign support structure of FIG. 1 in smaller scale and with additional environmental subject matter including a sign and a display fixture shown in broken lines.

FIG. 15 is a front, perspective view of a sign support structure showing our new design;

FIG. 16 is a front view thereof;

FIG. 17 is a rear view thereof;

FIG. 18 is a right side view thereof, the left side view being a mirror image of the right side view;

FIG. 19 is a top view thereof; and

FIG. 20 is a bottom view.

FIG. 21 is a front, perspective view of the sign support structure of FIG. 15 with additional environmental subject matter including a sign shown in broken lines;

FIG. 22 is a front view thereof;

FIG. 23 is a rear view thereof;

FIG. 24 is a right side view thereof, the left side view being a mirror image of the right side view;

FIG. 25 is a top view thereof; and

FIG. 26 is a bottom view; and,

FIG. 27 is a front, perspective view of the sign support structure of FIG. 15 in smaller scale and with additional environmental subject matter including a sign and a display fixture shown in broken lines.

The features shown in broken lines are portions of the sign support structure or environmental subject matter to the sign support structure forming no part of the claimed design. The features shown in long dash-short dash bolded broken lines indicate the bounds of the claimed design and otherwise form no part of the claimed design.

**1 Claim, 16 Drawing Sheets**

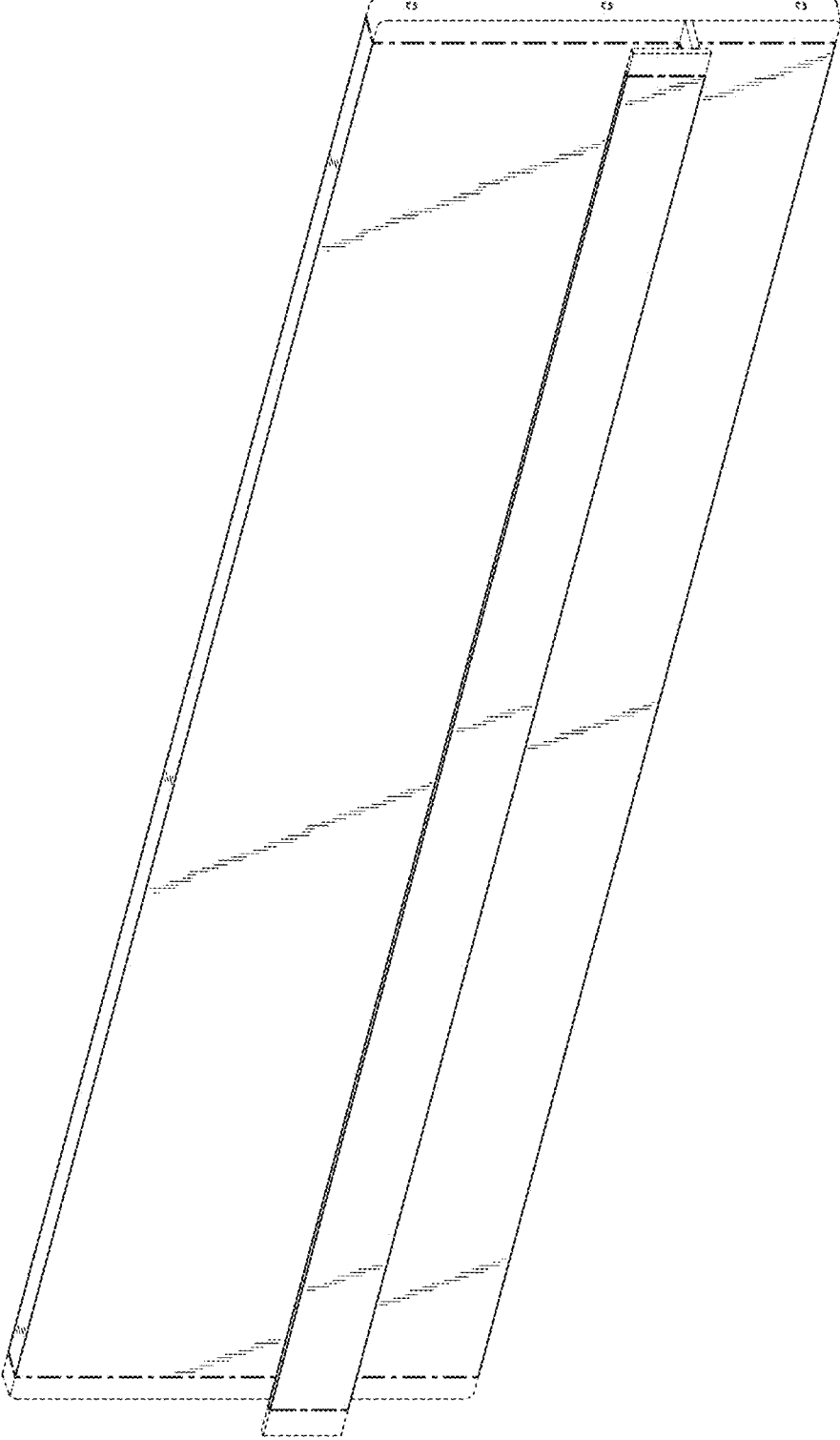


FIG. 1

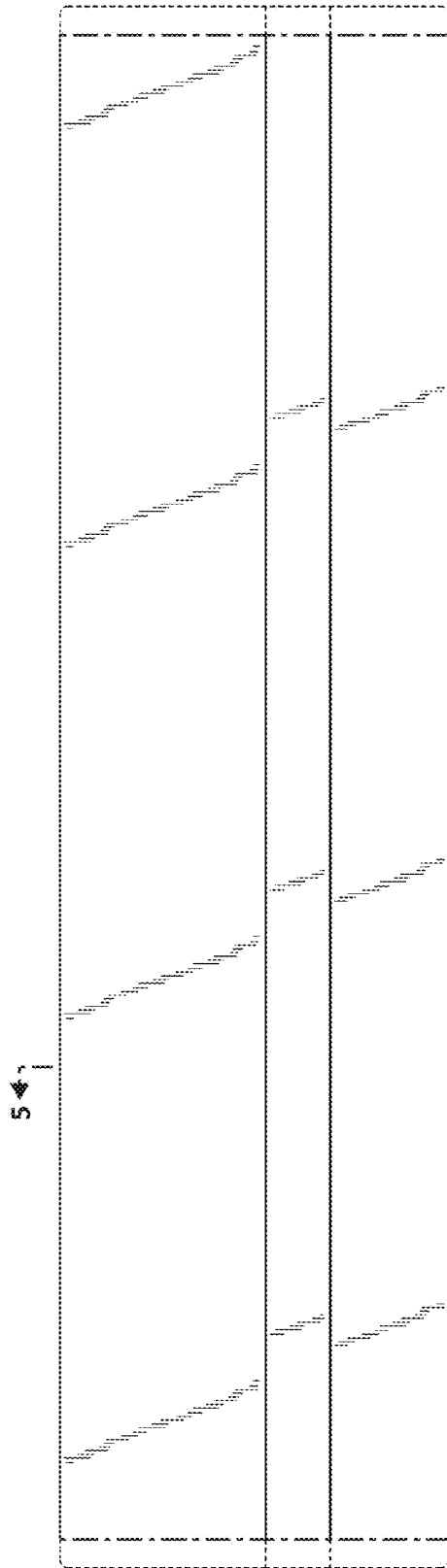


FIG. 2

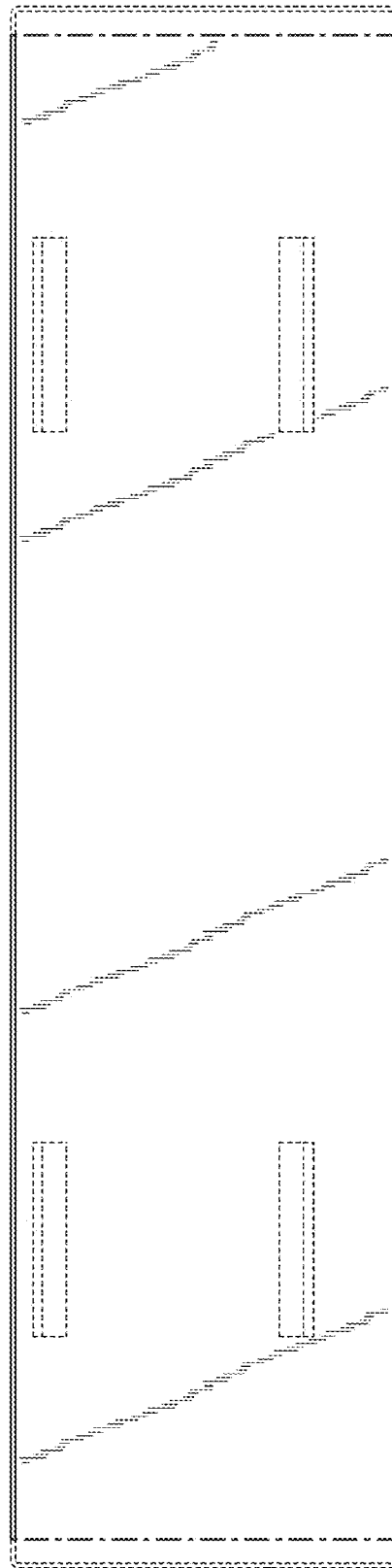


FIG. 3

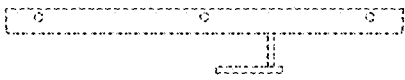


FIG. 4

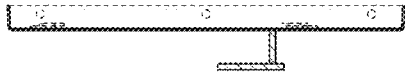


FIG. 5



FIG. 6

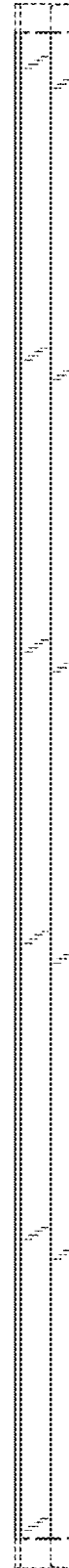


FIG. 7

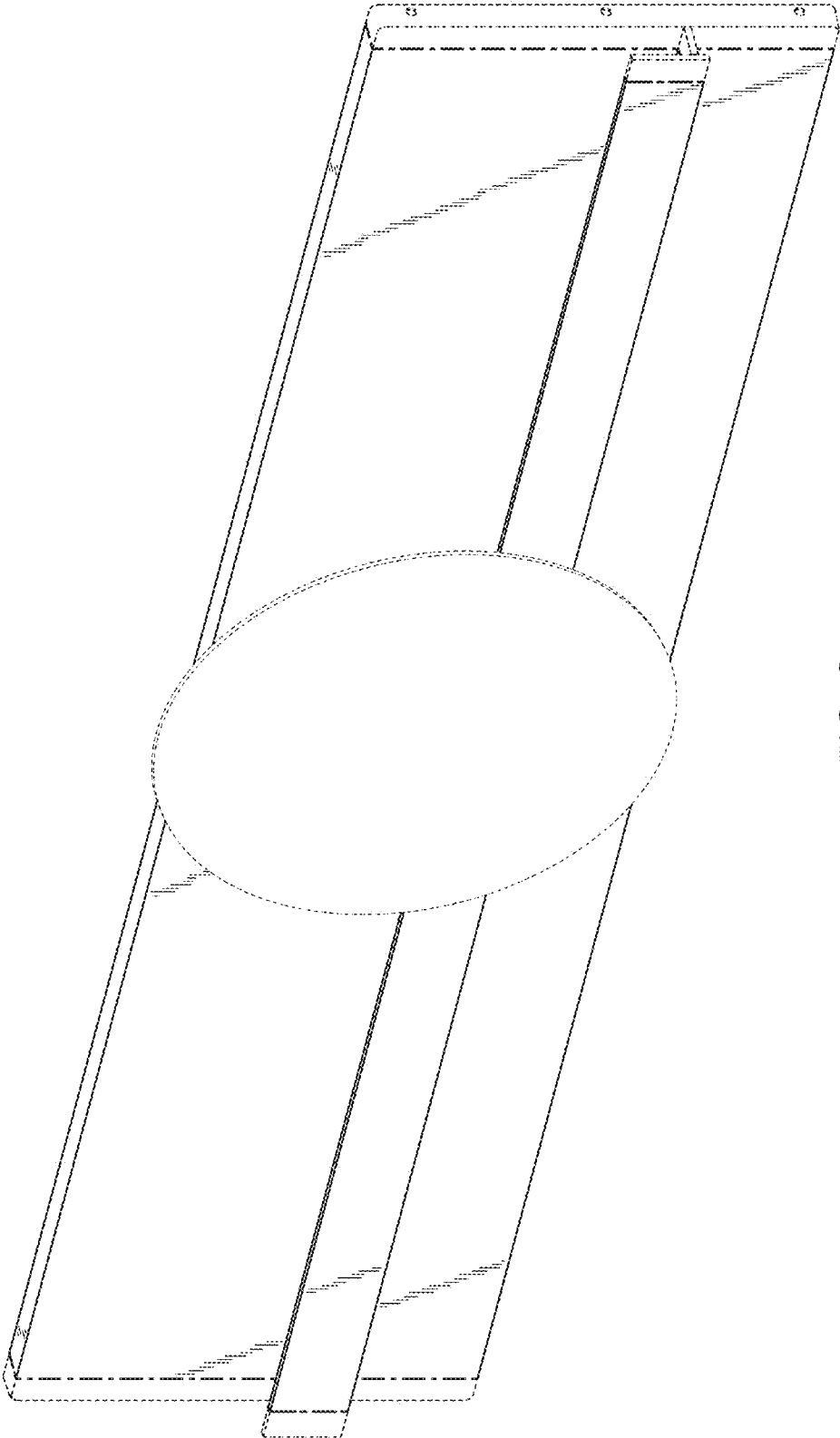


FIG. 8

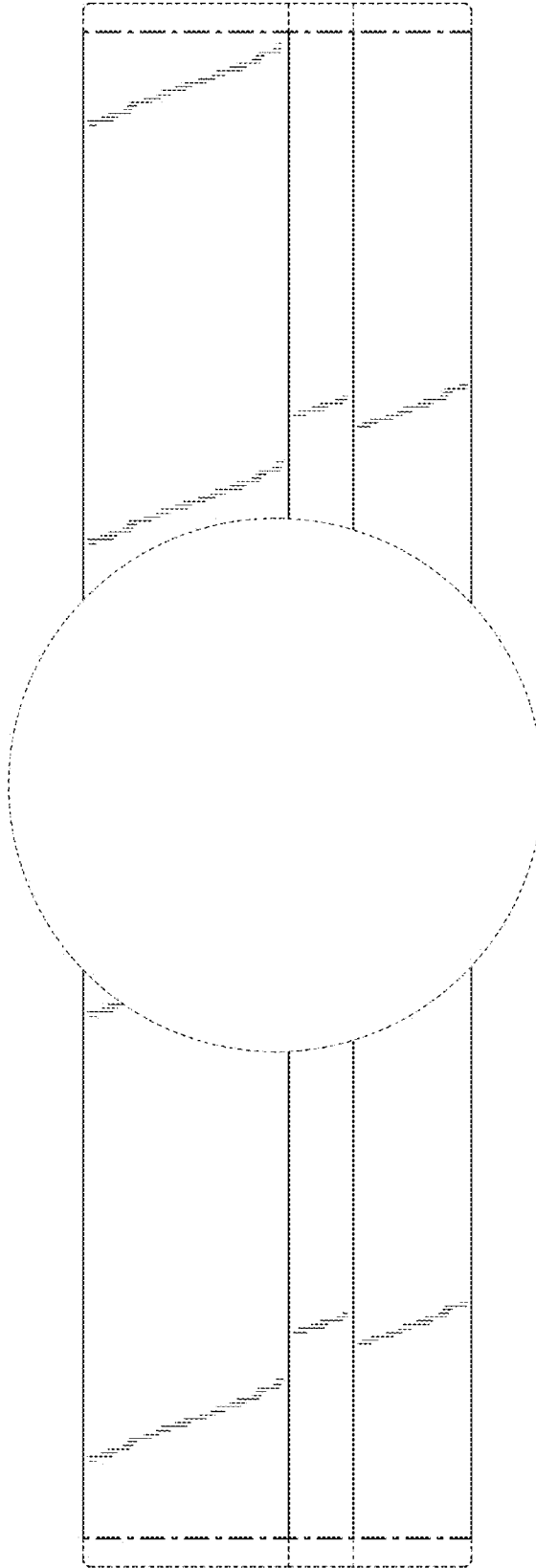


FIG. 9

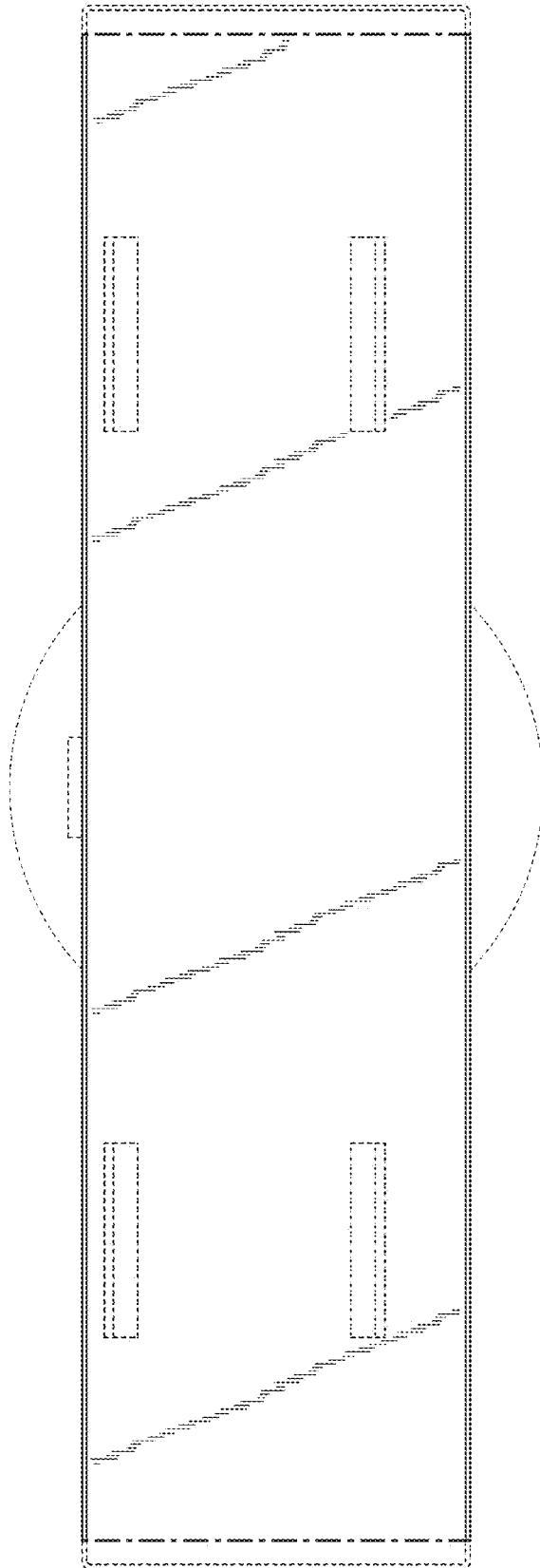
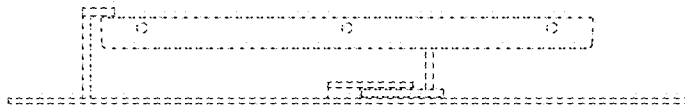


FIG. 10





**FIG. 11**



FIG. 12

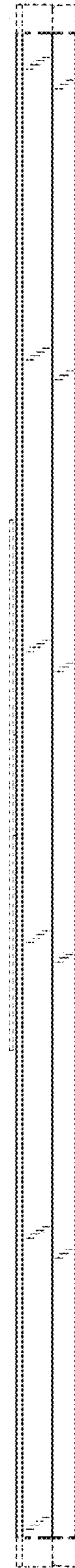


FIG. 13

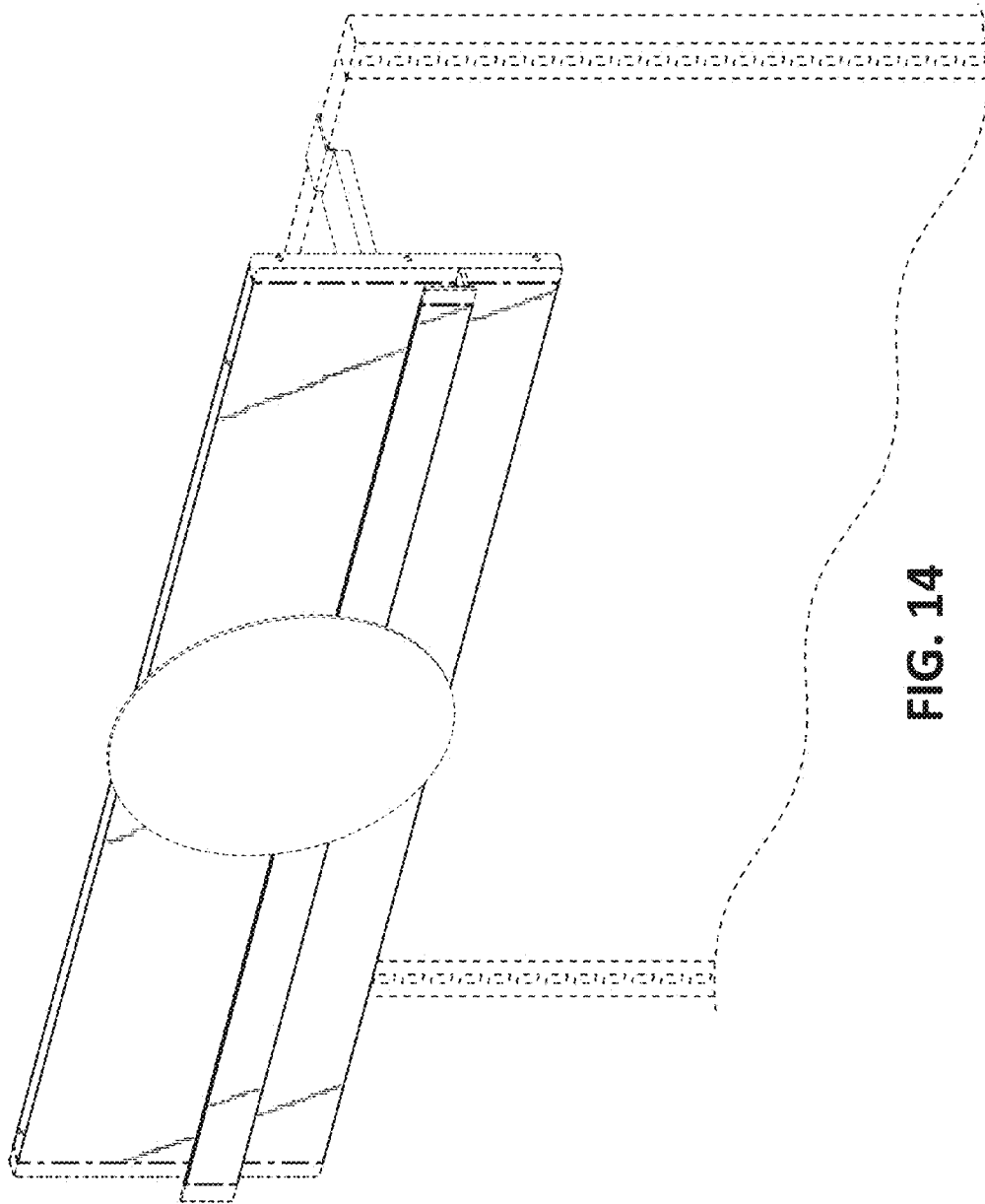


FIG. 14

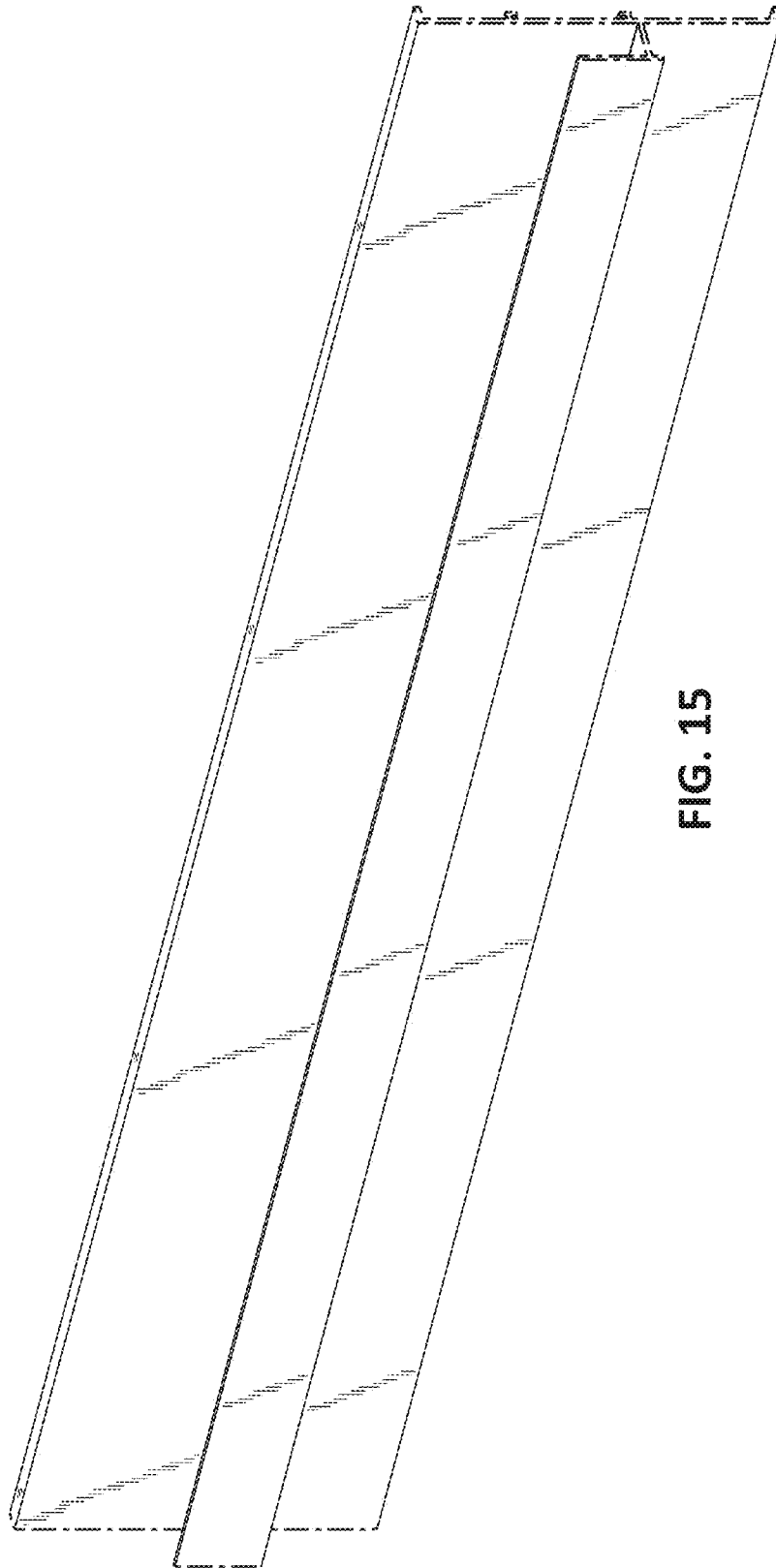


FIG. 15

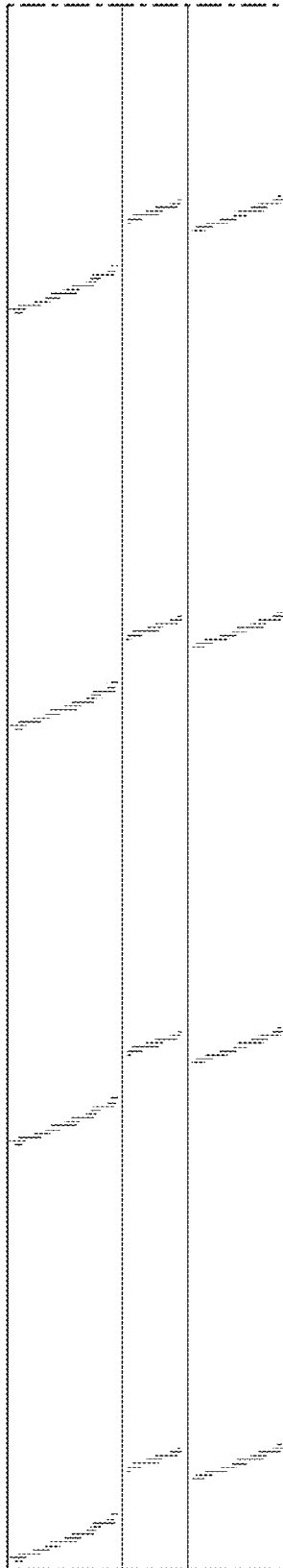


FIG. 16

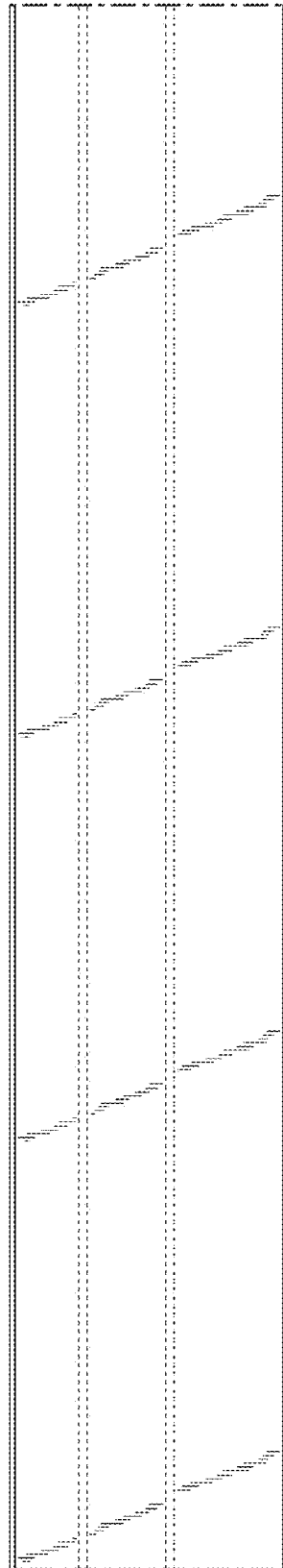


FIG. 17

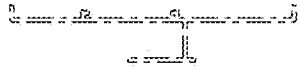


FIG. 18



FIG. 19



FIG. 20

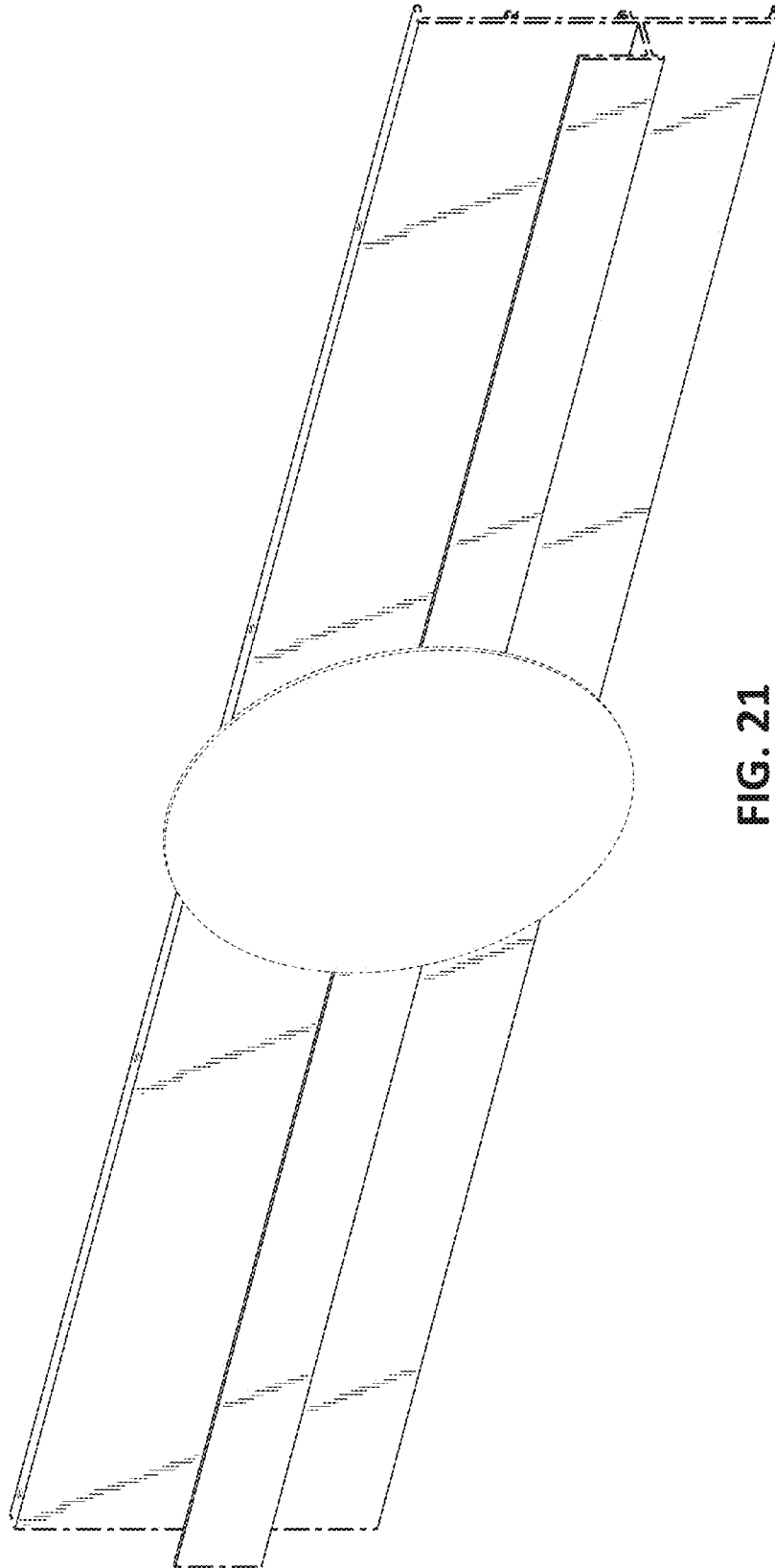


FIG. 21

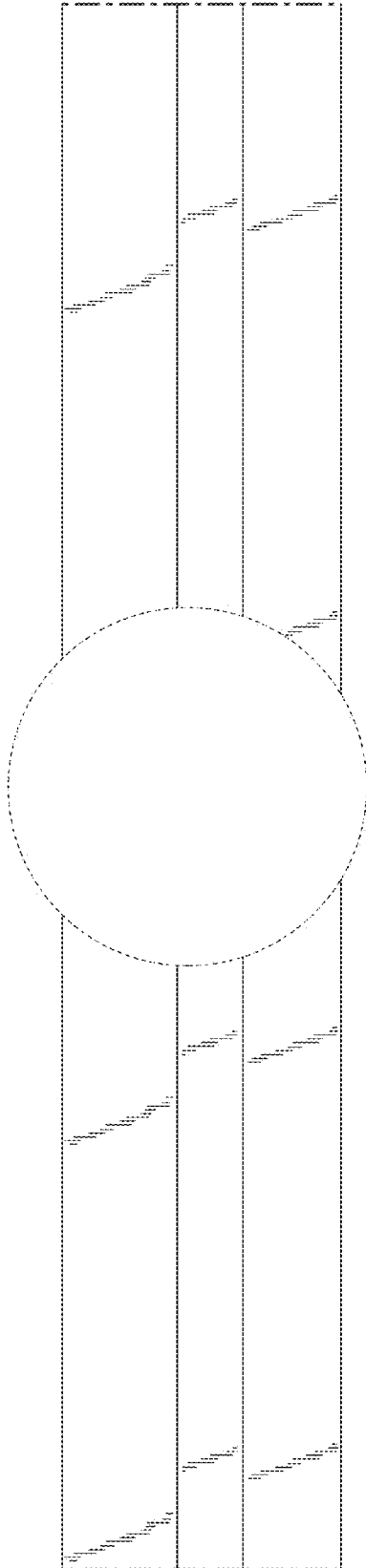


FIG. 22

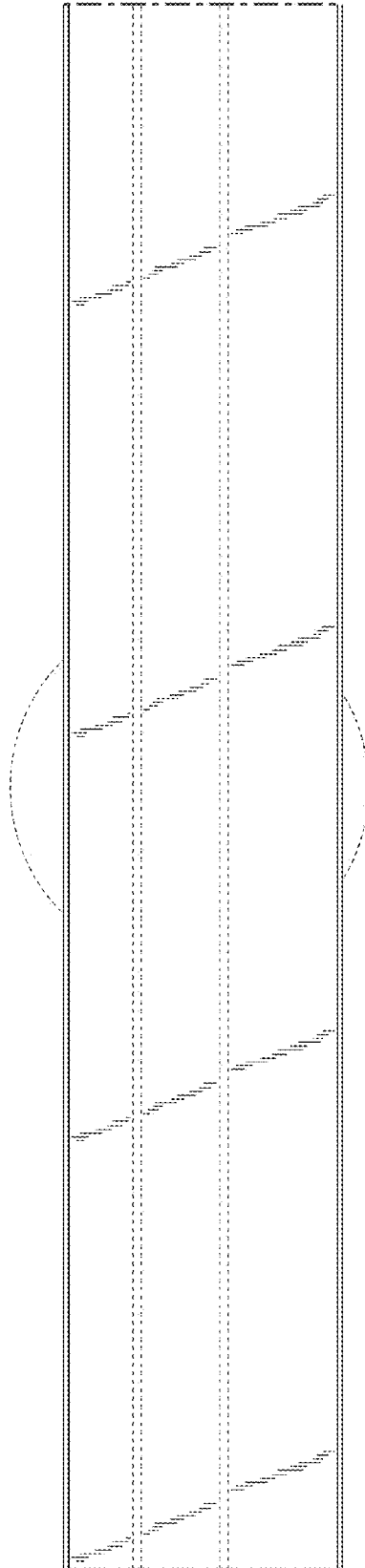


FIG. 23



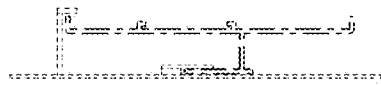


FIG. 24

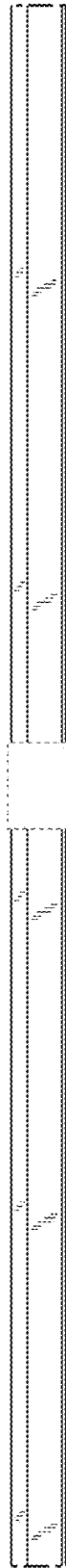


FIG. 25

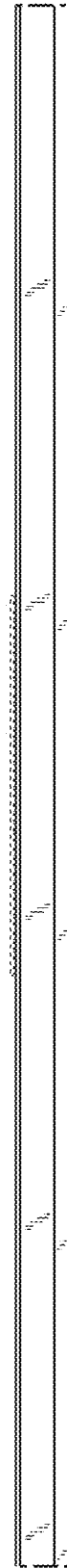


FIG. 26

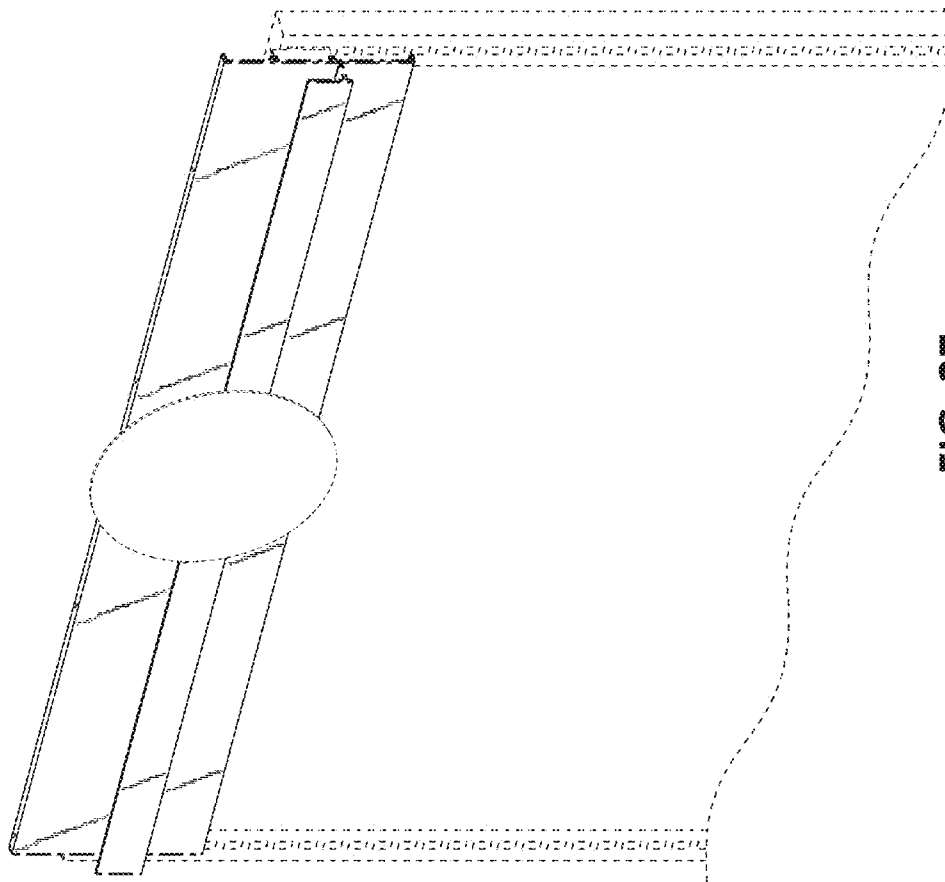


FIG. 27