



(12) **United States Design Patent**  
**Tanaka**

(10) **Patent No.:** **US D815,683 S**  
(45) **Date of Patent:** **\*\* Apr. 17, 2018**

- (54) **PRINTER**
- (71) Applicant: **BROTHER INDUSTRIES, LTD.**,  
Nagoya-shi, Aichi-ken (JP)
- (72) Inventor: **Hiromitsu Tanaka**, Nagoya (JP)
- (73) Assignee: **BROTHER INDUSTRIES, LTD.**,  
Nagoya (JP)
- (\*\*) Term: **15 Years**
- (21) Appl. No.: **29/576,278**
- (22) Filed: **Sep. 1, 2016**

D681,720 S *	5/2013	Inada .....	D18/50
D682,349 S *	5/2013	Iwai .....	D18/50
D720,803 S *	1/2015	Inada .....	D18/50
D730,437 S	5/2015	Seki et al.	
D737,895 S	9/2015	Nanno et al.	
D743,484 S *	11/2015	Nanno .....	D18/50
D752,138 S *	3/2016	Seki .....	D18/50
D761,903 S *	7/2016	Matsumoto .....	D18/50
D770,565 S *	11/2016	Tanaka .....	D18/50
D786,964 S *	5/2017	Clark, III .....	D18/50
D792,508 S *	7/2017	Nakagawa .....	D18/50
D799,593 S *	10/2017	Kim .....	D18/55
D806,790 S *	1/2018	Sato .....	D18/50
2014/0265103 A1 *	9/2014	Sone .....	B41J 11/70 270/5.02

- (30) **Foreign Application Priority Data**
- Mar. 4, 2016 (JP) ..... 2016-4890
- (51) **LOC (11) CL.** ..... **18-01**
- (52) **U.S. CL.**
- USPC ..... **D18/50**
- (58) **Field of Classification Search**
- USPC ..... D18/50, 54-55, 36-37, 54.1
- CPC ..... G06K 15/12; G06K 15/14; B41J 11/58;  
B41J 15/042
- See application file for complete search history.

\* cited by examiner

*Primary Examiner* — Robin V Webster  
*Assistant Examiner* — James C Thorn, Sr.  
(74) *Attorney, Agent, or Firm* — Oliff PLC

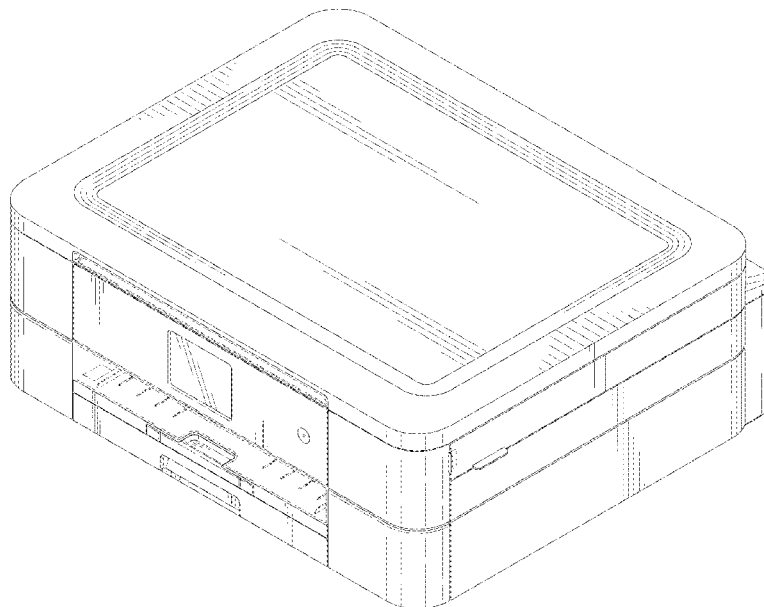
- (56) **References Cited**
- U.S. PATENT DOCUMENTS
- D333,149 S \* 2/1993 Kasno ..... D18/36
- D353,829 S \* 12/1994 Onoda ..... D18/36
- D354,304 S \* 1/1995 Ishibashi ..... D18/36
- D565,650 S \* 4/2008 Tani ..... D18/50
- D601,185 S \* 9/2009 Kim ..... D18/50
- D665,015 S \* 8/2012 Matsuno ..... D18/50
- D667,489 S \* 9/2012 Inoue ..... D18/55
- D678,402 S 3/2013 Sato

(57) **CLAIM**  
The ornamental design for a printer, as shown and described.

**DESCRIPTION**

FIG. 1 is a perspective view of a printer;  
FIG. 2 is a front view thereof;  
FIG. 3 is a top view thereof;  
FIG. 4 is a right-side view thereof;  
FIG. 5 is a left-side view thereof;  
FIG. 6 is a rear view thereof  
FIG. 7 is a bottom view thereof; and,  
FIG. 8 is a cross-sectional view of FIG. 3 as indicated by  
FIG. 4.  
The broken lines depict environmental subject matter only  
and form no part of the claimed design.

**1 Claim, 7 Drawing Sheets**



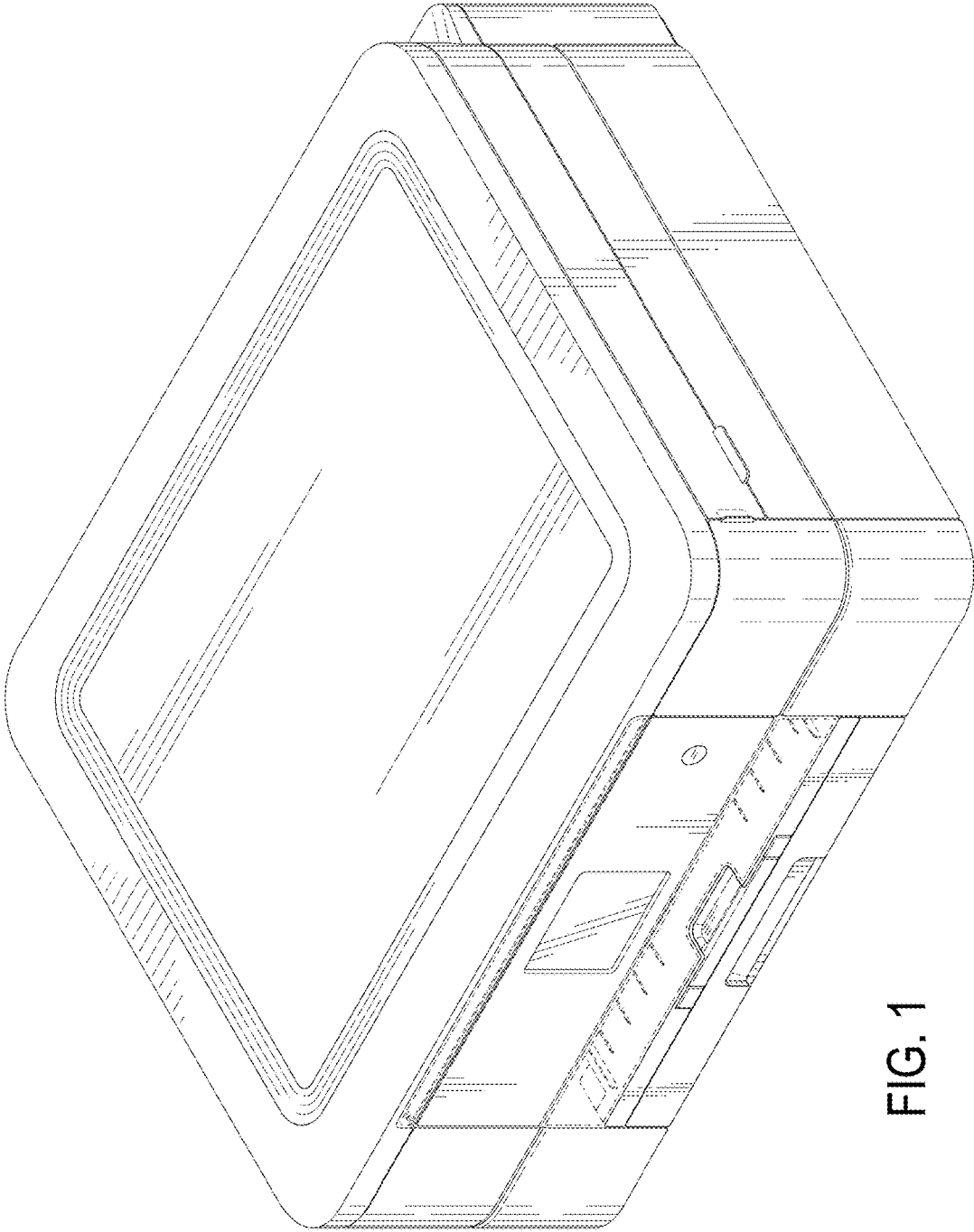


FIG. 1

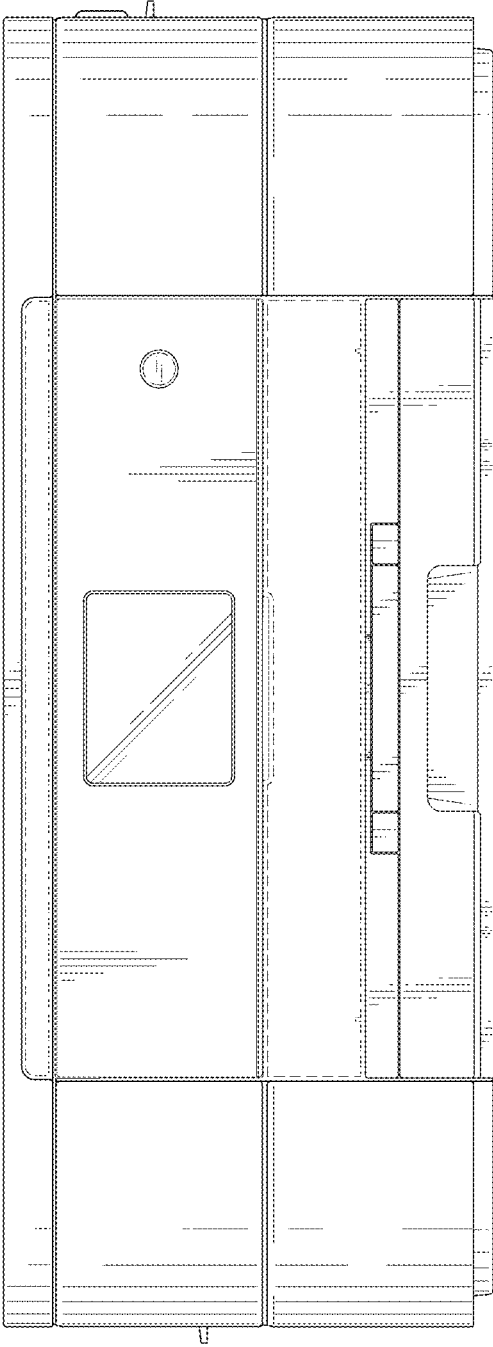


FIG. 2

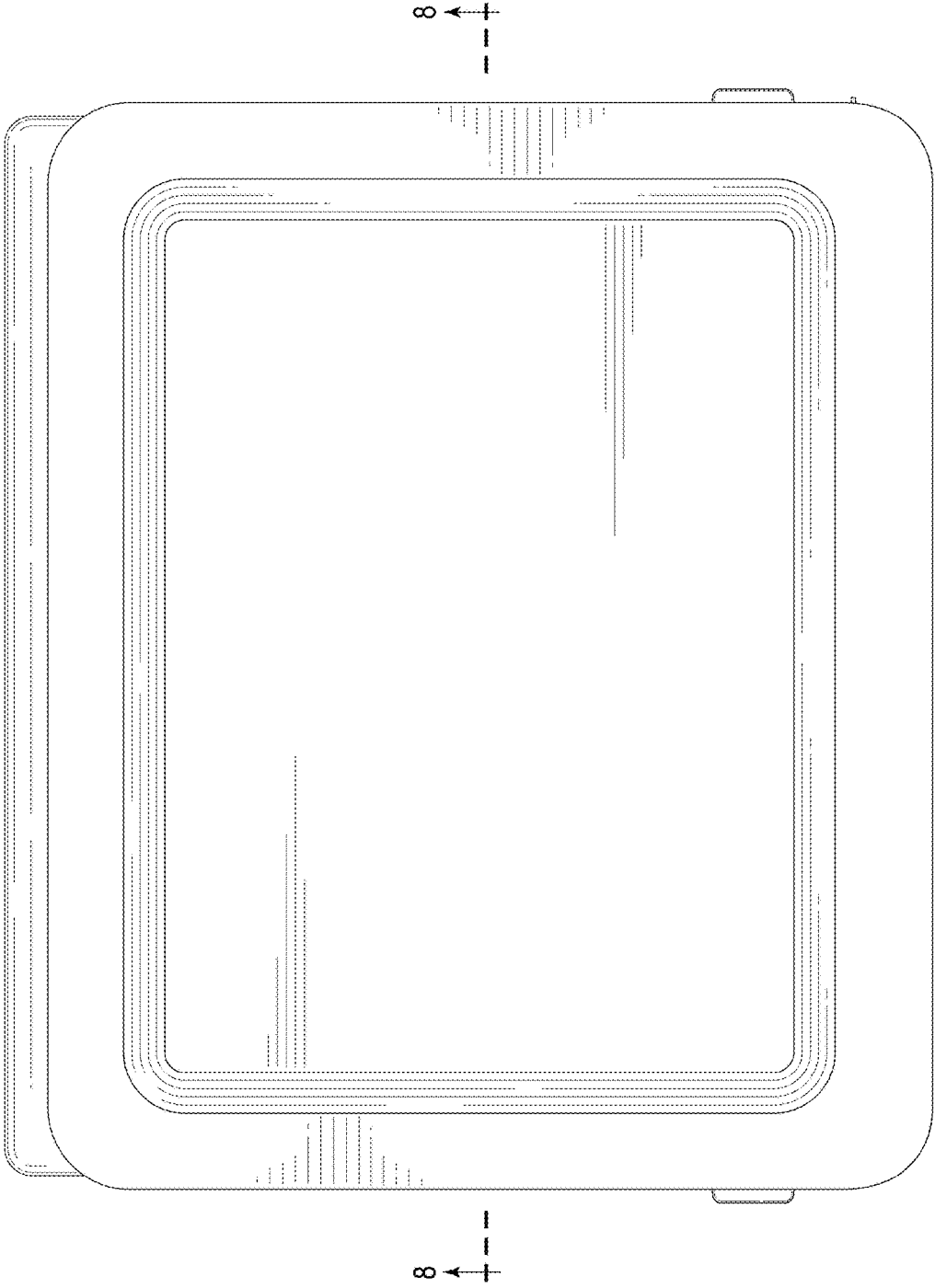


FIG. 3

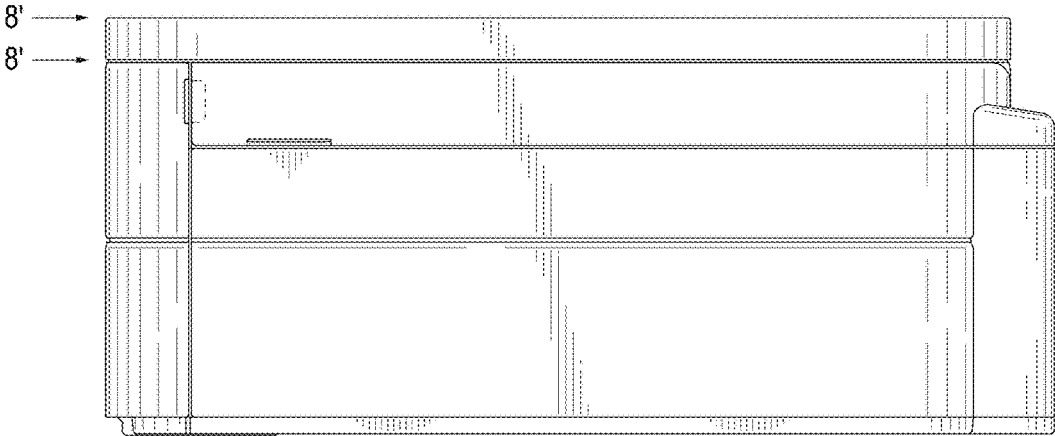


FIG. 4

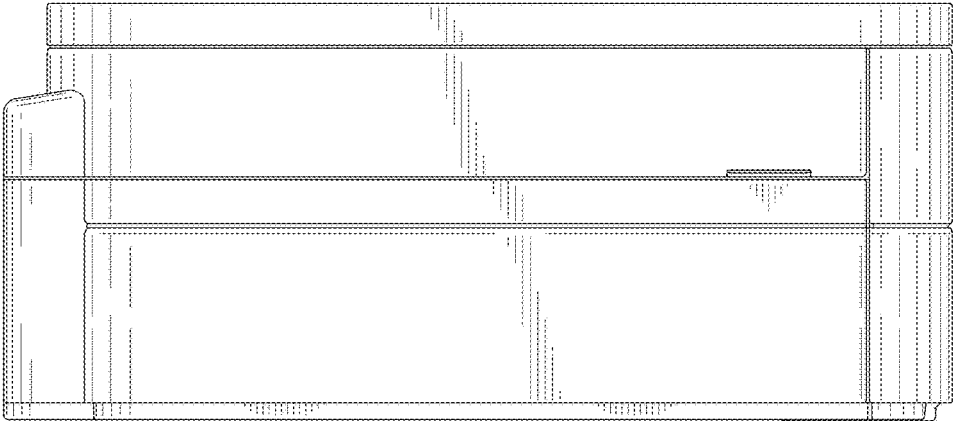


FIG. 5

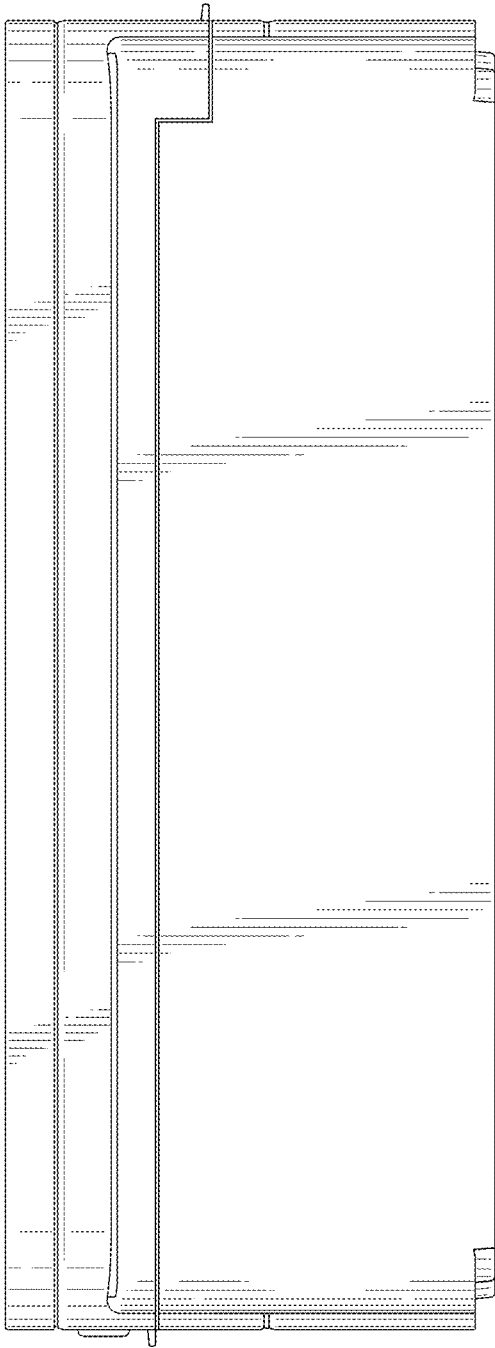


FIG. 6

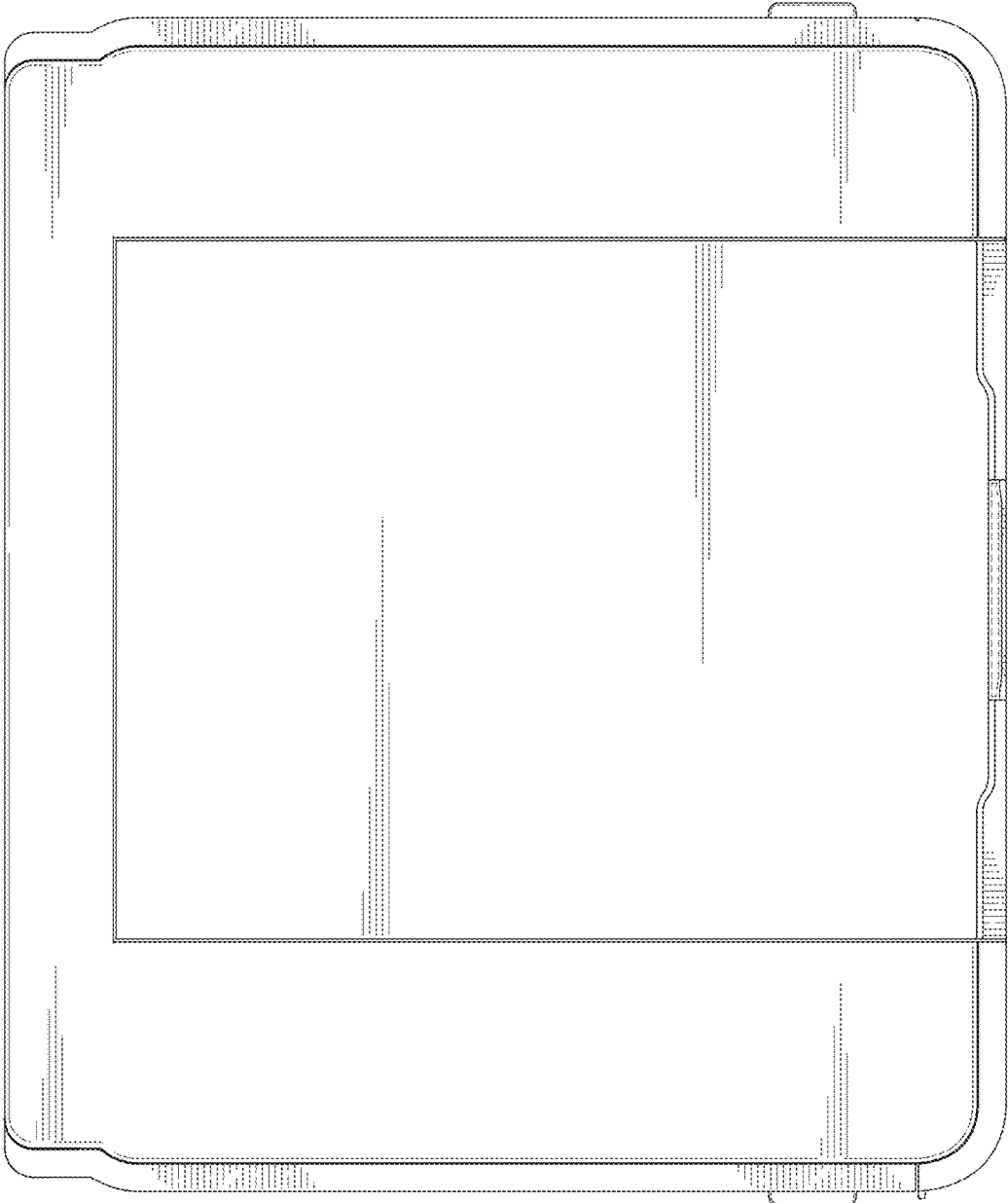


FIG. 7



FIG. 8