



US00D866757S

(12) **United States Design Patent**
Diluzio et al.

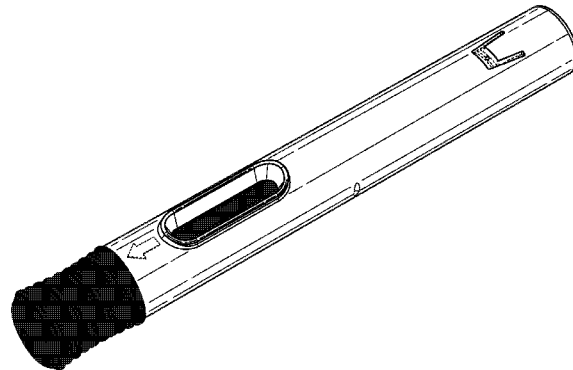
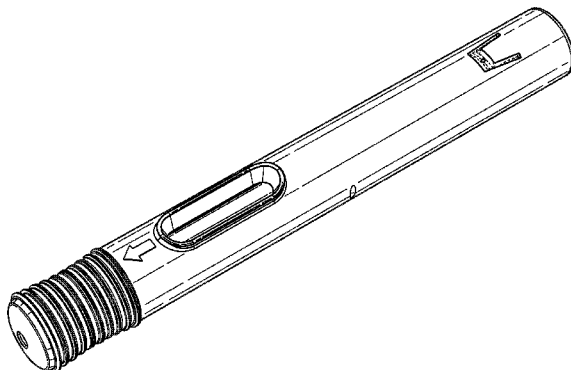
(10) **Patent No.:** **US D866,757 S**
(45) **Date of Patent:** **** Nov. 12, 2019**

- (54) **AUTOINJECTOR**
- (71) Applicant: **Millennium Pharmaceuticals, Inc.**,
Cambridge, MA (US)
- (72) Inventors: **Willow Ruth Diluzio**, Gloucester, MA
(US); **Nobel T. Truong**, Milford, MA
(US); **Sarah Royalty Treedo**, Vernon
Hills, IL (US); **Donald Rogers, Jr.**,
Carmel, IN (US)
- (73) Assignee: **Millennium Pharmaceuticals, Inc.**,
Cambridge, MA (US)
- (**) Term: **15 Years**
- (21) Appl. No.: **29/557,806**
- (22) Filed: **Mar. 11, 2016**
- (51) **LOC (12) Cl.** **24-02**
- (52) **U.S. Cl.**
USPC **D24/133**
- (58) **Field of Classification Search**
USPC D24/133, 112-114, 127-131, 186;
D19/115-123, 177, 193; 600/101, 139,
600/143; 128/200.24, 207.14, 207.15;
606/181, 185
CPC A61M 5/3156; A61M 5/31591; A61M
5/3155; A61M 5/3157; A61M 5/24;
A61M 5/31501; A61M 5/31585; A61M
2005/2407; A61M 2005/2492; A61M
2205/581; A61M 2205/582
See application file for complete search history.

D561,461 S	2/2008	Smetham	
D599,009 S	8/2009	Tyce	
D612,486 S	3/2010	Stappen	
D616,089 S	5/2010	Stappen	
D618,789 S	6/2010	Sanders	
D619,244 S	7/2010	Stappen	
D620,106 S	7/2010	Stappen	
D621,929 S	8/2010	Stappen	
D622,374 S	8/2010	Julian	
D623,738 S	9/2010	Stappen	
D627,061 S	11/2010	Stappen	
D629,509 S	12/2010	Julian	
D634,421 S	3/2011	El-Gad	
D634,422 S	3/2011	El-Gad	
D641,077 S	7/2011	Sanders	
D642,330 S *	7/2011	Turner	D24/133
D651,305 S	12/2011	Hawley	
D652,136 S	1/2012	Hawley	
D663,836 S *	7/2012	Ruiz, Sr.	D24/133
D671,638 S	11/2012	Young	
D677,380 S	3/2013	Julian	
D687,544 S	8/2013	Stephan	
D696,397 S *	12/2013	Guarraia	D24/113
D696,770 S	12/2013	Schneider	
D696,772 S	12/2013	Schneider	
D696,774 S *	12/2013	Guarraia	D24/113
D696,775 S *	12/2013	Guarraia	D24/113
D697,205 S *	1/2014	Schneider	D24/113
D703,810 S	4/2014	Sanders	
D708,317 S *	7/2014	Schneider	D24/113
8,821,451 B2	9/2014	Daniel	
D714,932 S	10/2014	Hall	
D715,422 S	10/2014	Hall	
D717,940 S *	11/2014	Magome	D24/113
8,932,254 B2 *	1/2015	Eaton	A61M 5/2033 604/135
D722,158 S *	2/2015	Magome	D24/113
D725,771 S	3/2015	Sendatzki	
D732,162 S	6/2015	Fourt	
D739,011 S	9/2015	Morrison	
D743,538 S	11/2015	Sanders	
D758,569 S *	6/2016	Wohlfahrt	D24/113
D758,570 S *	6/2016	Wohlfahrt	D24/113
D766,425 S *	9/2016	Hauck	D24/113
D767,119 S *	9/2016	Hauck	D24/113
D770,610 S *	11/2016	Saussaye	D24/113
D770,611 S *	11/2016	Saussaye	D24/114
D773,650 S *	12/2016	Fourt	D24/113
D774,639 S *	12/2016	Saussaye	D24/113
D774,641 S *	12/2016	Miggels	D24/113
D792,549 S *	7/2017	McKillips	D22/108
D799,084 S *	10/2017	Wu	D26/38
9,968,744 B2 *	5/2018	Veasey	A61M 5/31528

(56) **References Cited**
U.S. PATENT DOCUMENTS

D330,079 S	10/1992	Dalling	
D332,489 S	1/1993	Dalling	
D343,897 S	2/1994	Rand	
D375,789 S	11/1996	Bryant	
D404,528 S *	1/1999	Wong	D19/123
D428,651 S	7/2000	Andersson	
D509,352 S	9/2005	Raven	
D547,859 S	7/2007	Choi	



9,970,721	B1 *	5/2018	Oglesby	F41A 3/64
D819,804	S *	6/2018	Knight	D24/113
10,034,980	B2 *	7/2018	Cronenberg	A61M 5/2033
2009/0258326	A1 *	10/2009	Al-Sulaiman	A46B 5/0033
				433/163
2012/0130342	A1 *	5/2012	Cleathero	A61M 5/002
				604/506
2013/0310758	A1 *	11/2013	Wozencroft	A61M 5/3257
				604/197
2013/0338593	A1 *	12/2013	Wozencroft	A61M 5/2033
				604/157
2014/0324088	A1 *	10/2014	Chelak	A61B 5/1411
				606/181
2015/0238696	A1 *	8/2015	Mundschenk	A61M 5/30
				604/68
2015/0367081	A1 *	12/2015	Rosenthal	A61M 5/31568
				604/189
2016/0051766	A1 *	2/2016	Marsh	A61M 5/20
				604/207

OTHER PUBLICATIONS

SHL Medical Products, SHL Group (Dec. 10, 2015).
Molly—RNS Auto Injector, SHL Medical Products, SHL Group (Dec. 10, 2015).
BD Physioject Disposable Autoinjector, Self-Injection Systems, Becton, Dickinson and Company (Dec. 10, 2015).
What is AdrenaClick (epineprine injection, USP auto-injector)?, Amedra Pharmaceuticals, LLC (Dec. 10, 2015).
Enbrel SureClick Autoinjector, Instructions for Use, Immunex Corporation (Sep. 2013).
SmartJect Autoinjector, Injection Support, Simponi (Dec. 10, 2015).
Amber Auto Injector, SHL Medical Products, SHL Group (Dec. 10, 2015).
PSDI Auto Injector, SHL Medical Products, SHL Group (Dec. 10, 2015).
Lisa Auto-Injector, Smart. Reusable. Needle-Free, Unilife (Dec. 10, 2015).
Prefilled Diabetic Insulin Auto Injector Pen Displays Remaining Dosage, Jiangsu Delfu Medical Device Co., Ltd. (Dec. 10, 2015).
Autopen Insulin Delivery Pen, Owen Mumford Ltd. (Dec. 10, 2015).
How to Inject Your Humira (adalimumab) Pen or Syringe, AbbVie, Inc. (Dec. 10, 2015).
Assisted Syringes: Syrina Micro & Syrina Mini, Bespak (Dec. 10, 2015).
The 2-step autoinjector, Ypsomate, Ypsomed Selfcare Solutions, Ypsomed AG (Dec. 10, 2015).
Flexi-Q PFS, Injectable Drug Delivery Devices, Elcam Medical (Dec. 10, 2015).
SafeClick Aqueo, SafeClick Lyo, Future Injection Technologies Limited (Dec. 10, 2015).
PC-2M Autoinjector for military and civilian use, PHC, Injection Device Technologies (Dec. 10, 2015).
Sanofi US Issues Voluntary Nationwide Recall of All Auvi-Q Due to Potential Inaccurate Dosage Delivery, Auvi-Q (Dec. 10, 2015).
Pro-Ject, Prescription Division, Aptar Pharma (Nov. 2013).
Quantum, Nuance Designs (Dec. 10, 2015).
Rebif offers 3 options for injecting, Rebif Rebidose (interferon beta-1a), EMD Serono, Inc. (Dec. 10, 2015).
Introducing Next Generation FlexPen, NovoPen, Novo Nordisk Worlwide (Dec. 10, 2015).
Technology to ease the pain of arthritis, Aira Autoinjector, Cambridge Consultants (Oct. 15, 2013).

* cited by examiner

Primary Examiner — Brett Miller
Assistant Examiner — Yolanda Robinson

(74) *Attorney, Agent, or Firm* — McCarter & English, LLP; David R. Burns

(57) CLAIM

The ornamental design for an autoinjector, as shown and described.

DESCRIPTION

FIG. 1 is a front perspective view illustrating a first exemplary embodiment of our ornamental design for an autoinjector with a removable cap.
FIG. 2 is a front elevational view of the first exemplary embodiment of our ornamental design for an autoinjector of FIG. 1, the rear elevational view being a mirror image thereof.
FIG. 3 is a right side elevational view of the first exemplary embodiment of our ornamental design for an autoinjector of FIG. 1, the left side elevational view being a mirror image thereof.
FIG. 4 is a bottom plan view of the first exemplary embodiment of our ornamental design for an autoinjector of FIG. 1.
FIG. 5 is a top plan view of the first exemplary embodiment of our ornamental design for an autoinjector of FIG. 1.
FIG. 6 is a front perspective view illustrating a second exemplary embodiment of our ornamental design for an autoinjector with a removable cap.
FIG. 7 is a front elevational view of the second exemplary embodiment of our ornamental design for an autoinjector of FIG. 6, the rear elevational view being a mirror image thereof.
FIG. 8 is a right side elevational view of the second exemplary embodiment of our ornamental design for an autoinjector of FIG. 6, the left side elevational view being a mirror image thereof.
FIG. 9 is a bottom plan view of the second exemplary embodiment of our ornamental design for an autoinjector of FIG. 6.
FIG. 10 is a top plan view of the second exemplary embodiment of our ornamental design for an autoinjector of FIG. 6.
FIG. 11 is a front perspective view illustrating a third exemplary embodiment of our ornamental design for an autoinjector with a purple removable cap and a purple plunger rod.
FIG. 12 is a front elevational view of the third exemplary embodiment of our ornamental design for an autoinjector of FIG. 11, the rear elevational view being a mirror image thereof.
FIG. 13 is a right side elevational view of the third exemplary embodiment of our ornamental design for an autoinjector of FIG. 11, the left side elevational view being a mirror image thereof.
FIG. 14 is a bottom plan view of the third exemplary embodiment of our ornamental design for an autoinjector of FIG. 11.
FIG. 15 is a top plan view of the third exemplary embodiment of our ornamental design for an autoinjector of FIG. 11.
FIG. 16 is a front perspective view illustrating a fourth exemplary embodiment of our ornamental design for an autoinjector with a purple removable cap and a purple plunger rod.

FIG. 17 is a front elevational view of the fourth exemplary embodiment of our ornamental design for an autoinjector of FIG. 16, the rear elevational view being a mirror image thereof.

FIG. 18 is a right side elevational view of the fourth exemplary embodiment of our ornamental design for an autoinjector of FIG. 16, the left side elevational view being a mirror image thereof.

FIG. 19 is a bottom plan view of the fourth exemplary embodiment of our ornamental design for an autoinjector of FIG. 16.

FIG. 20 is a top plan view of the fourth exemplary embodiment of our ornamental design for an autoinjector of FIG. 16.

FIG. 21 is a front perspective view illustrating a fifth exemplary embodiment of our ornamental design for an autoinjector with a purple removable cap and a yellow plunger rod.

FIG. 22 is a front elevational view of the fifth exemplary embodiment of our ornamental design for an autoinjector of FIG. 21, the rear elevational view being a mirror image thereof.

FIG. 23 is a right side elevational view of the fifth exemplary embodiment of our ornamental design for an autoinjector of FIG. 21, the left side elevational view being a mirror image thereof.

FIG. 24 is a bottom plan view of the fifth exemplary embodiment of our ornamental design for an autoinjector of FIG. 21.

FIG. 25 is a top plan view of the seventh fifth exemplary embodiment of our ornamental design for an autoinjector of FIG. 21.

FIG. 26 is a front perspective view illustrating a sixth exemplary embodiment of our ornamental design for an autoinjector with a purple removable cap and a yellow plunger rod.

FIG. 27 is a front elevational view of the sixth exemplary embodiment of our ornamental design for an autoinjector of FIG. 26, the rear elevational view being a mirror image thereof.

FIG. 28 is a right side elevational view of the sixth exemplary embodiment of our ornamental design for an autoinjector of FIG. 26, the left side elevational view being a mirror image thereof.

FIG. 29 is a bottom plan view of the sixth exemplary embodiment of our ornamental design for an autoinjector of FIG. 26; and,

FIG. 30 is a top plan view of the sixth exemplary embodiment of our ornamental design for an autoinjector of FIG. 26.

The broken lines in the drawings are included for the purpose of illustrating one or more portions of the autoinjector that form no part of the claimed design.

1 Claim, 12 Drawing Sheets

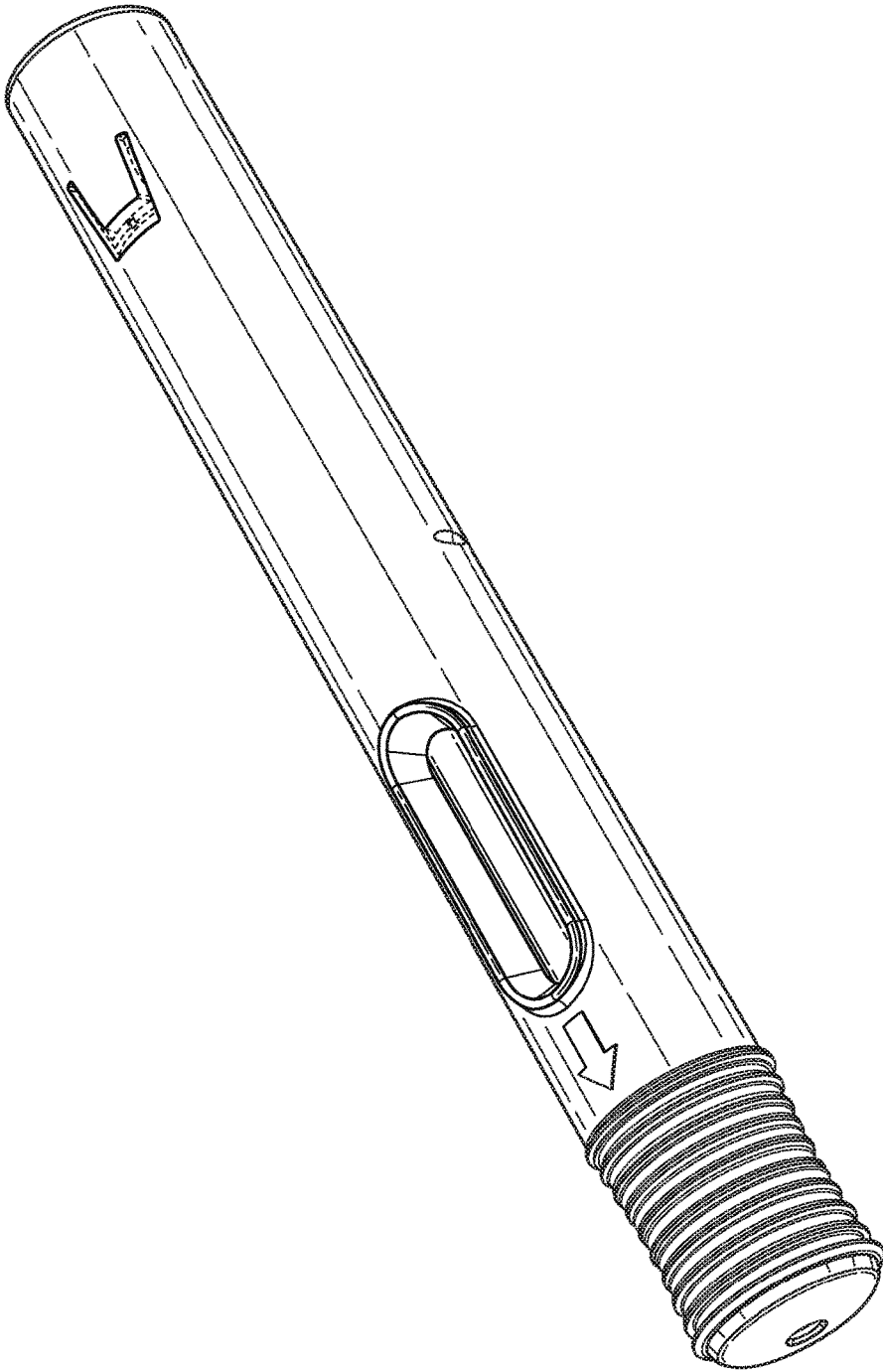


FIG. 1

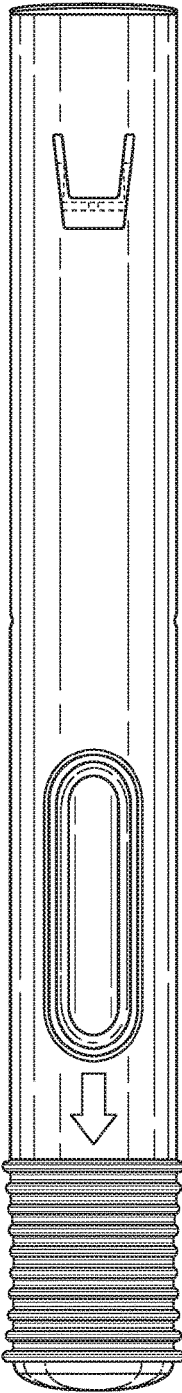


FIG. 2

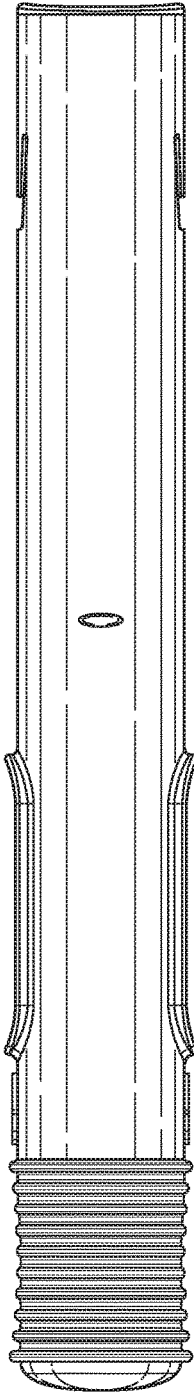


FIG. 3

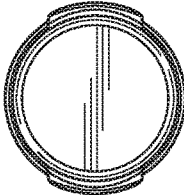


FIG. 4

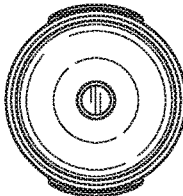


FIG. 5

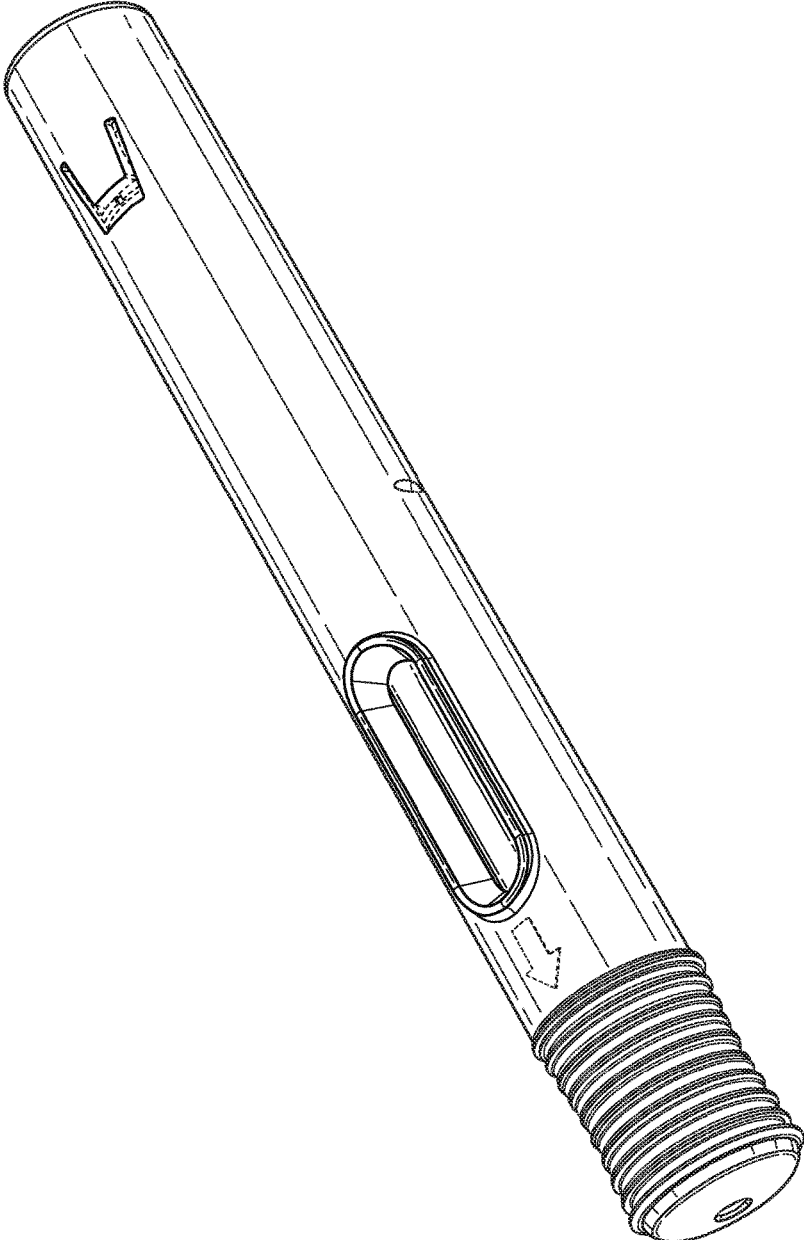


FIG. 6

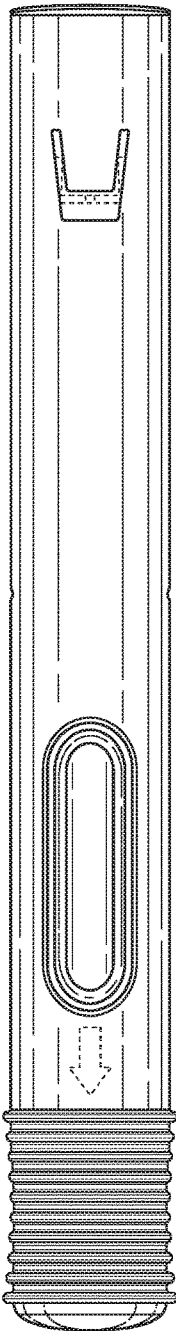


FIG. 7

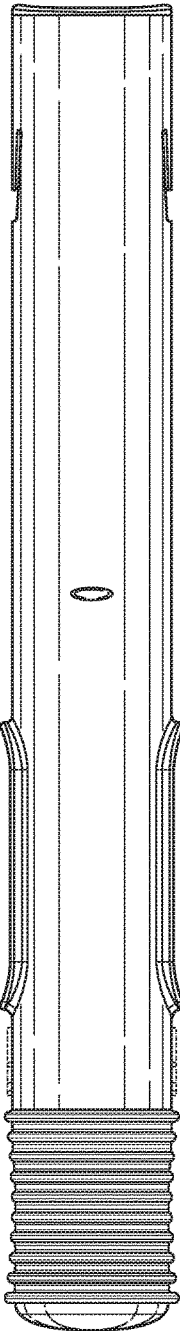


FIG. 8

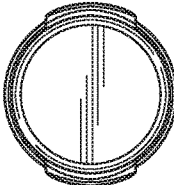


FIG. 9

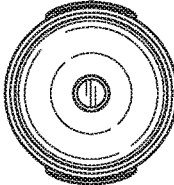


FIG. 10

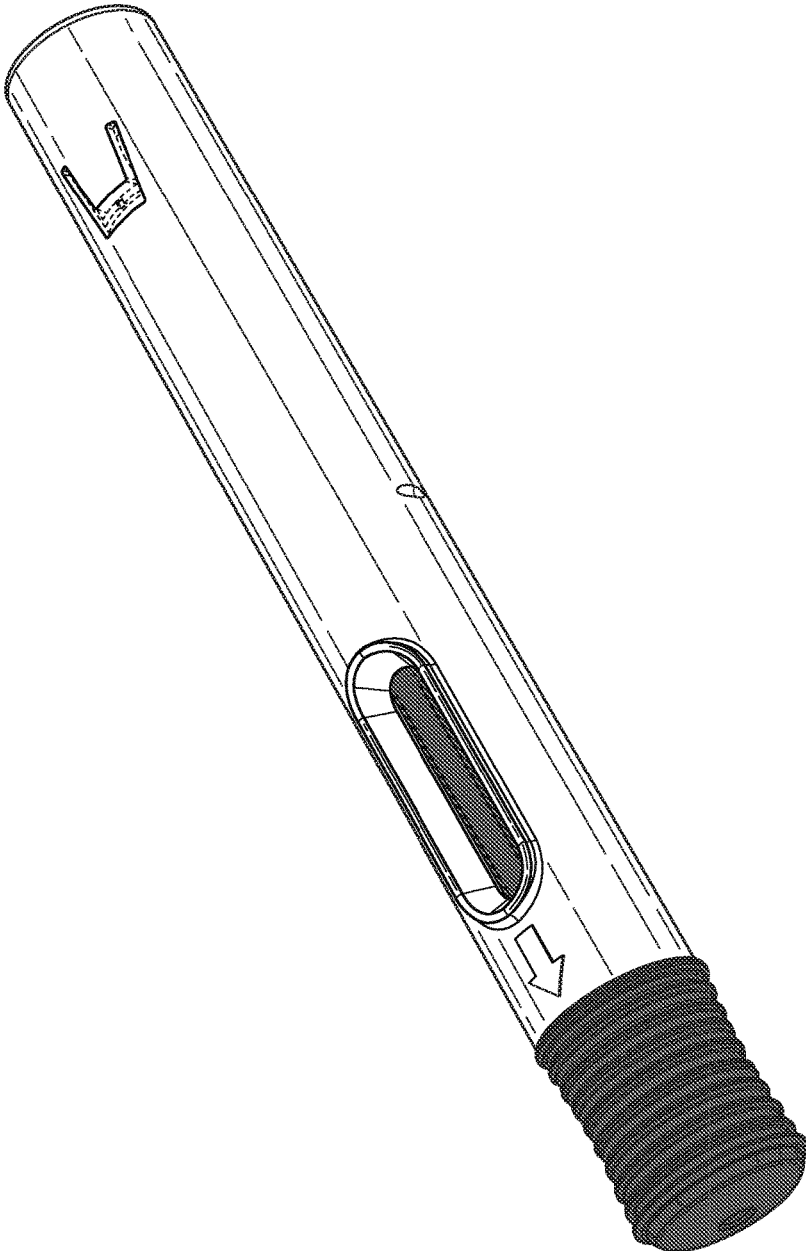


FIG. 11

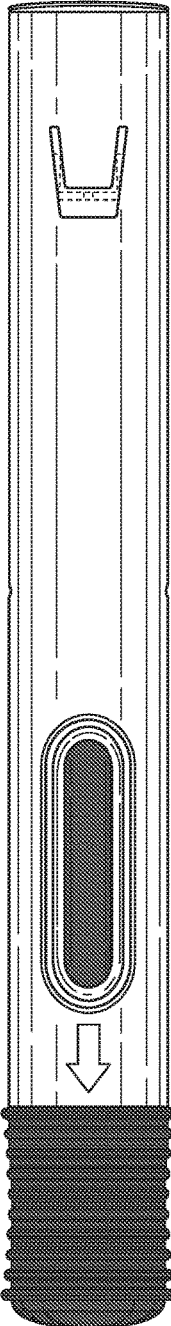


FIG. 12

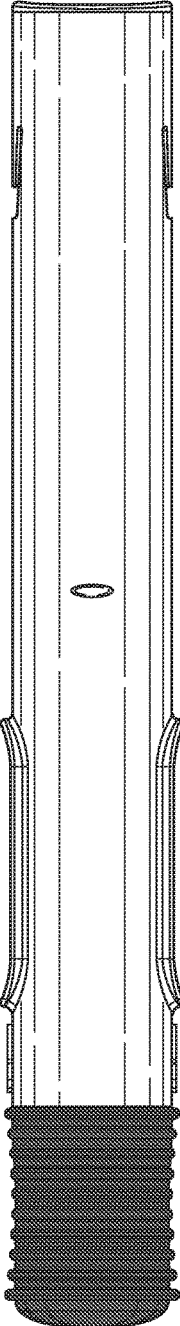


FIG. 13

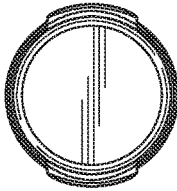


FIG. 14

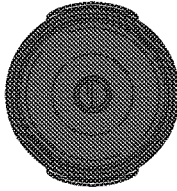


FIG. 15

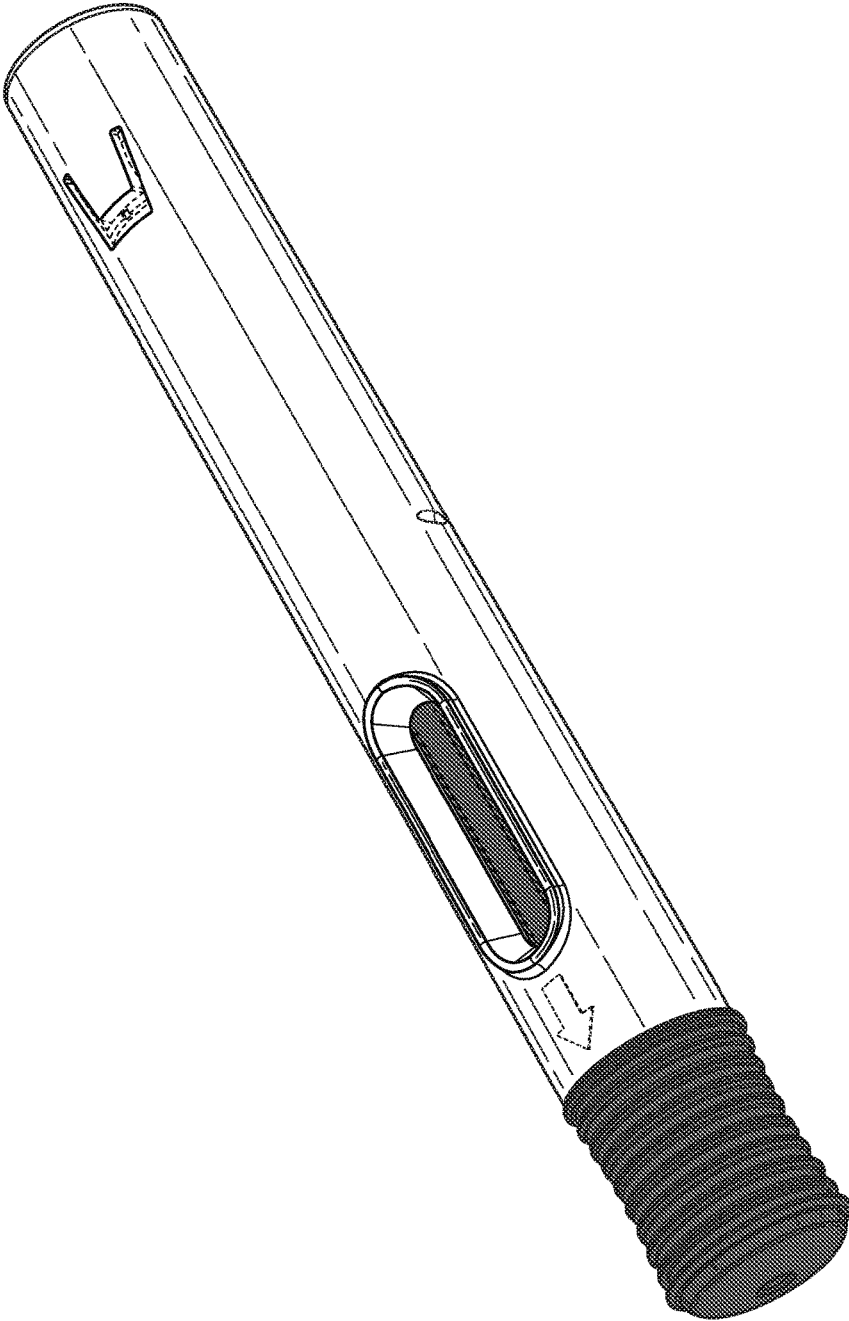


FIG. 16

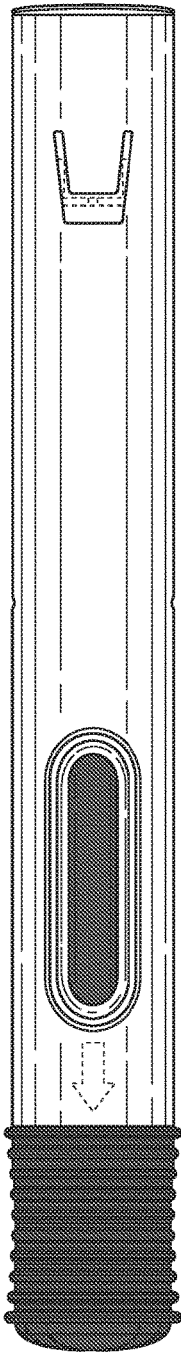


FIG. 17

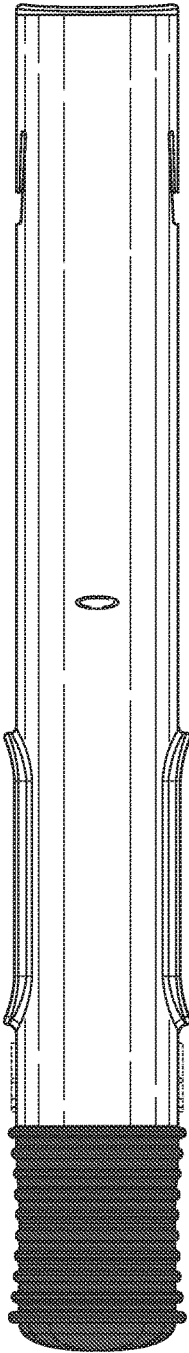


FIG. 18

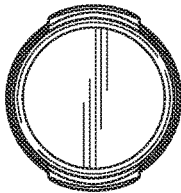


FIG. 19

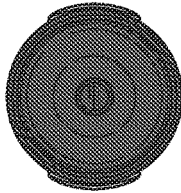


FIG. 20

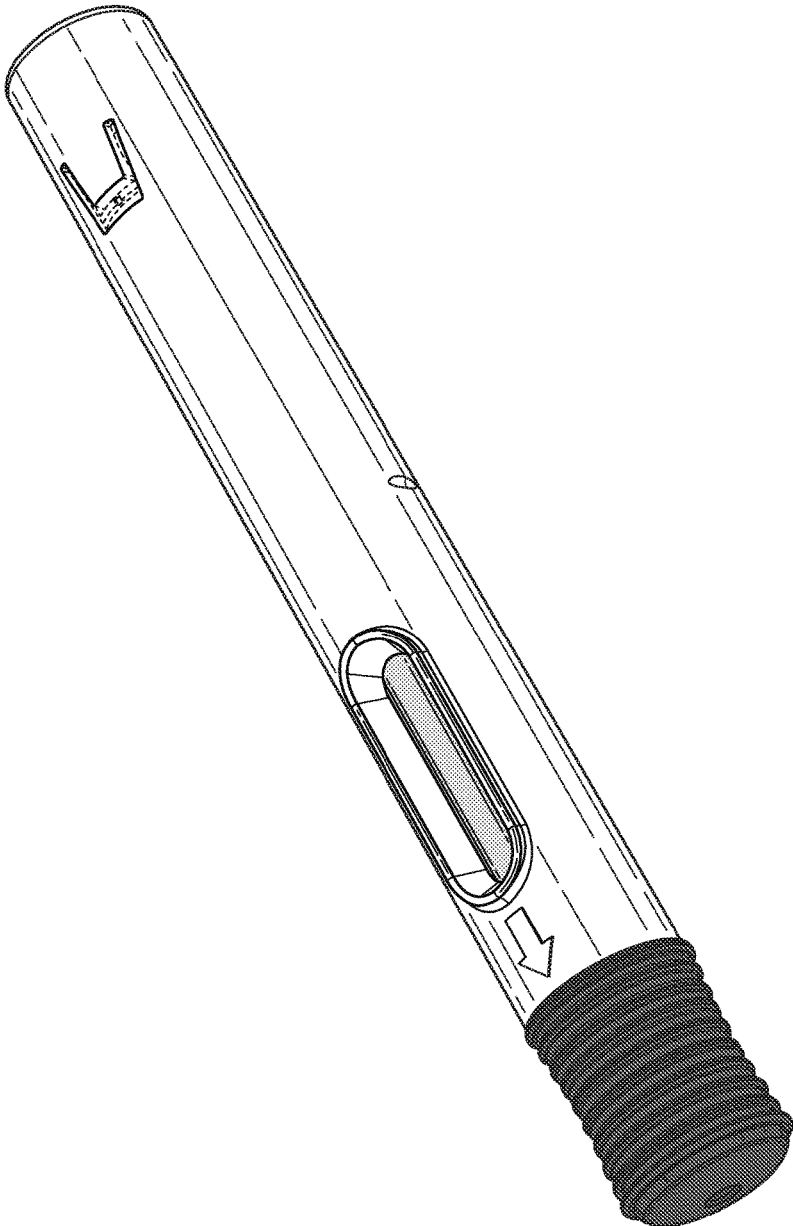


FIG. 21

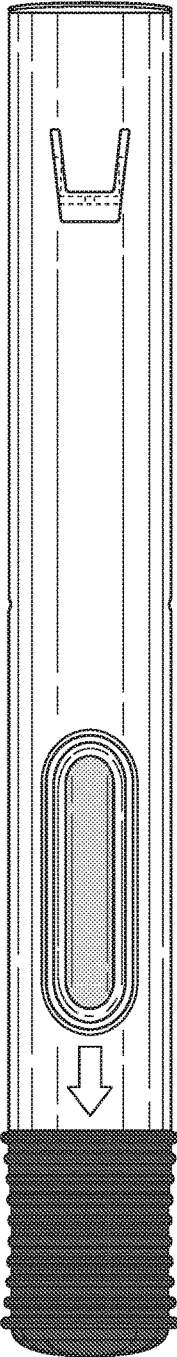


FIG. 22

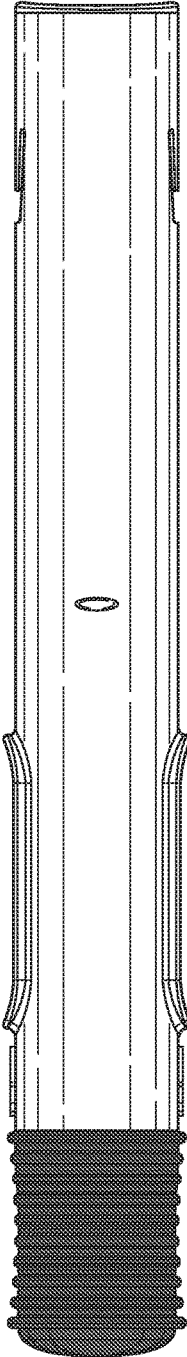


FIG. 23

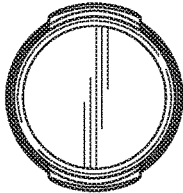


FIG. 24

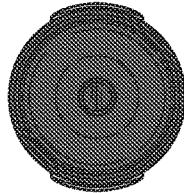


FIG. 25

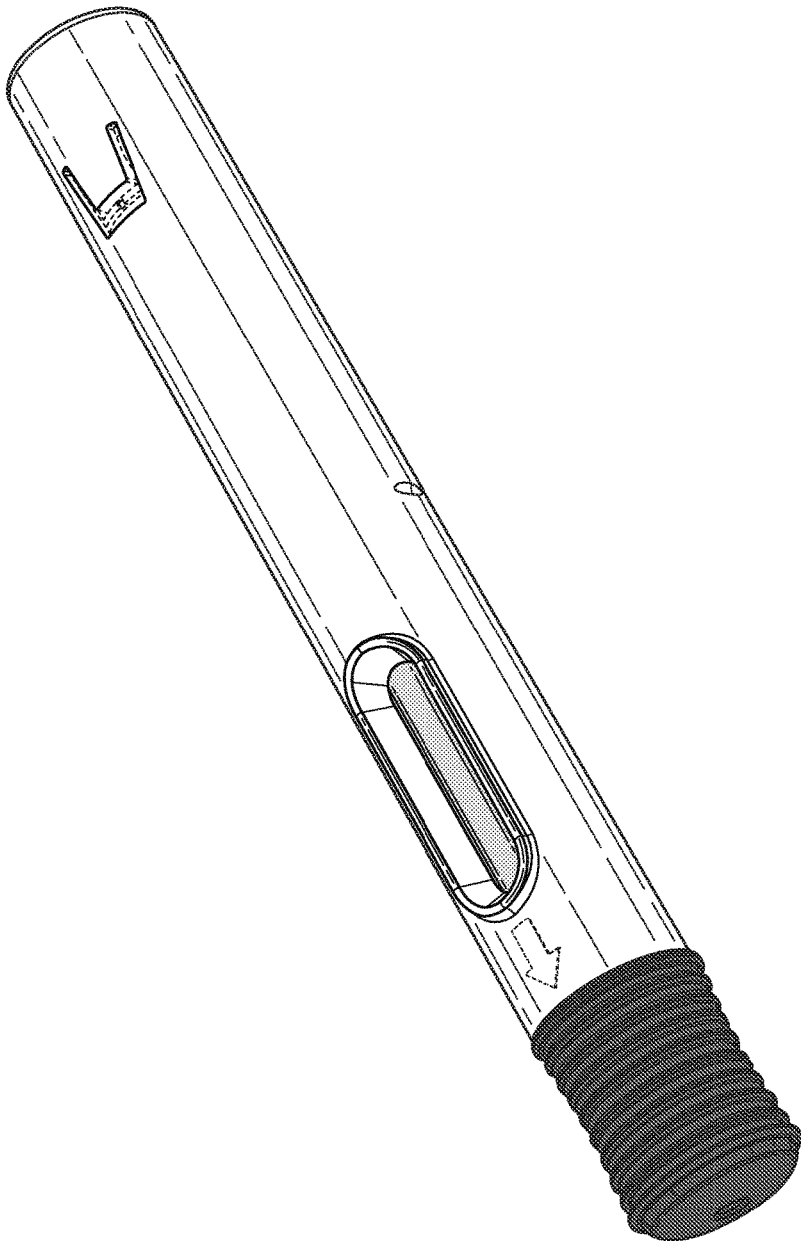


FIG. 26

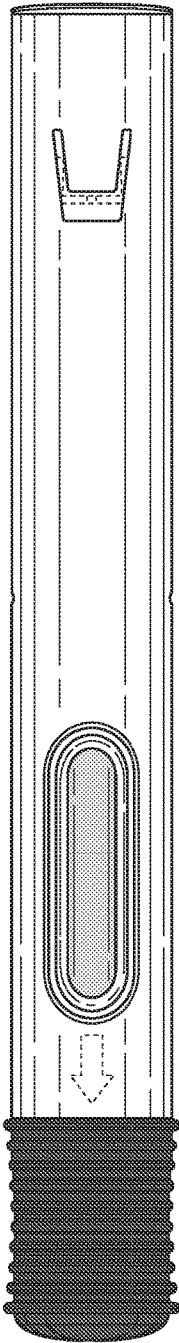


FIG. 27

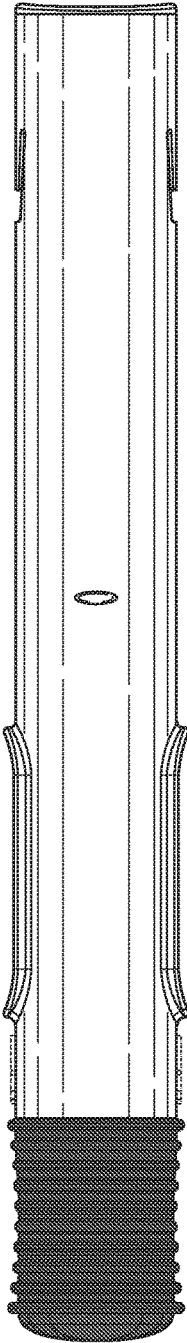


FIG. 28

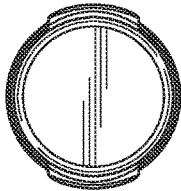


FIG. 29

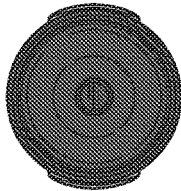


FIG. 30