

[54] BATTERY

371888 3/1922 German Democratic Rep. 429/159
570003 12/1957 Italy 429/99
57241 6/1946 Netherlands D13/8

[75] Inventor: Larry K. W. Ching, Jr., Littleton, Colo.

[73] Assignee: Gates Energy Products, Inc., Gainesville, Fla.

[**] Term: 14 Years

[21] Appl. No.: 193,982

[22] Filed: May 13, 1988

[52] U.S. Cl. D13/103; D13/104

[58] Field of Search D13/4, 8-11; D14/137; 429/27, 54, 97-100, 123, 133, 149, 151, 153, 159, 160, 163, 176; 307/150; 320/2

[56] References Cited

U.S. PATENT DOCUMENTS

D. 283,812 5/1986 Liautaud et al. D13/4
1,699,446 1/1929 Porth 429/159
2,050,172 8/1936 Gordon 429/27

FOREIGN PATENT DOCUMENTS

193450 11/1957 Austria 429/99

OTHER PUBLICATIONS

"The Perfect Balance of Power from Gates" The Gates Corp. brochure, 1986.
ALLIED 1986 Catalog, p. 68.
Gates Energy Products 3-85.

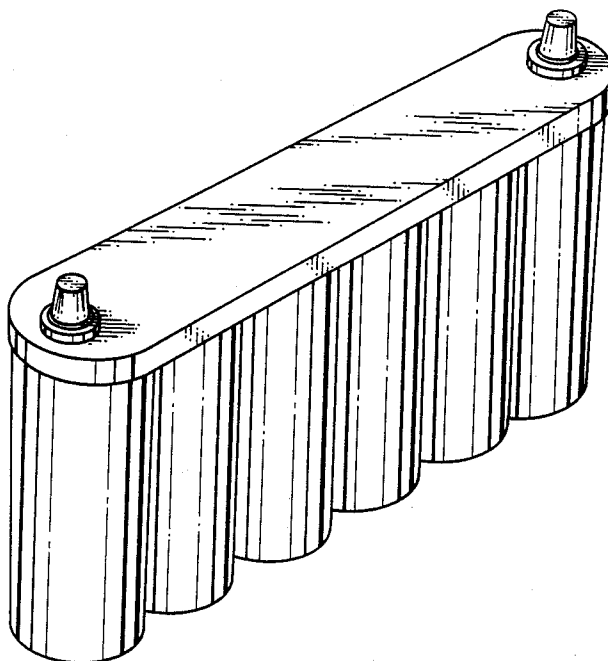
Primary Examiner—Susan J. Lucas
Assistant Examiner—Joel Sincavage
Attorney, Agent, or Firm—C. H. Castleman, Jr.; H. W. Oberg, Jr.

[57] CLAIM

The ornamental design for a battery, as shown and described.

DESCRIPTION

FIG. 1 is a top perspective view of a battery showing our new design;
FIG. 2 is a top plan view thereof;
FIG. 3 is an end elevational view thereof;
FIG. 4 is a side elevational view thereof, the opposite side elevational view being a mirror image; and
FIG. 5 is a bottom plan view thereof.



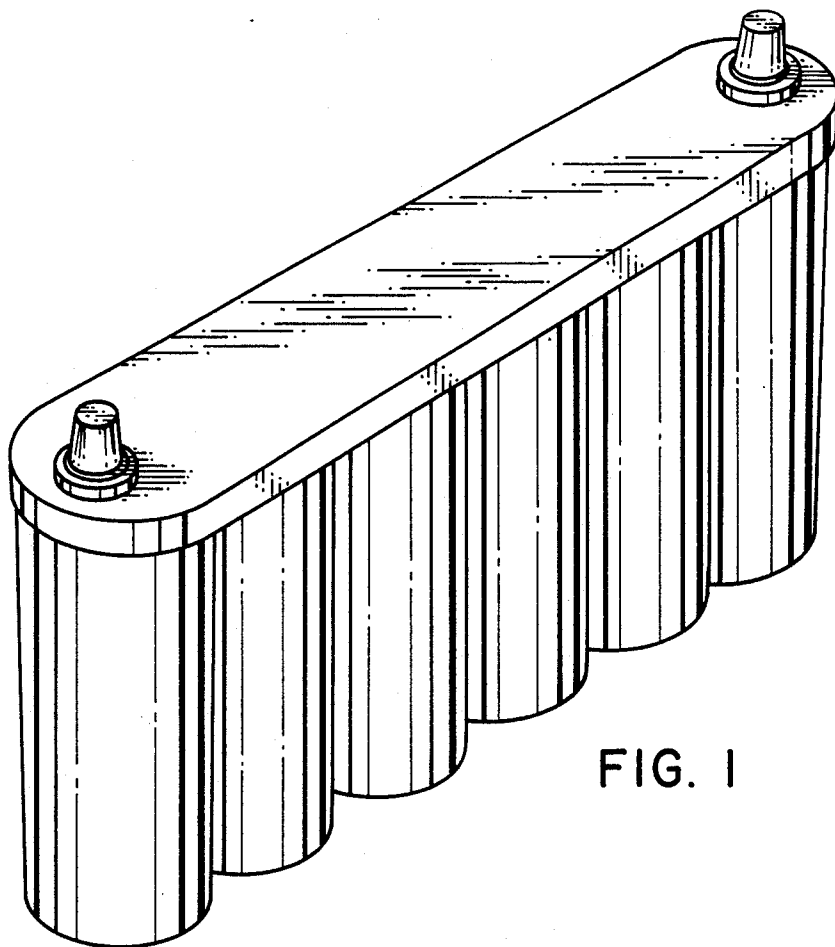


FIG. 1

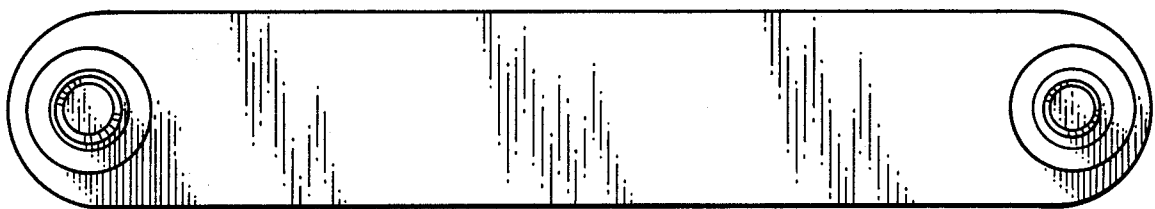


FIG. 2

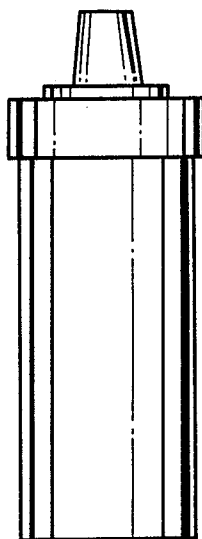


FIG. 3

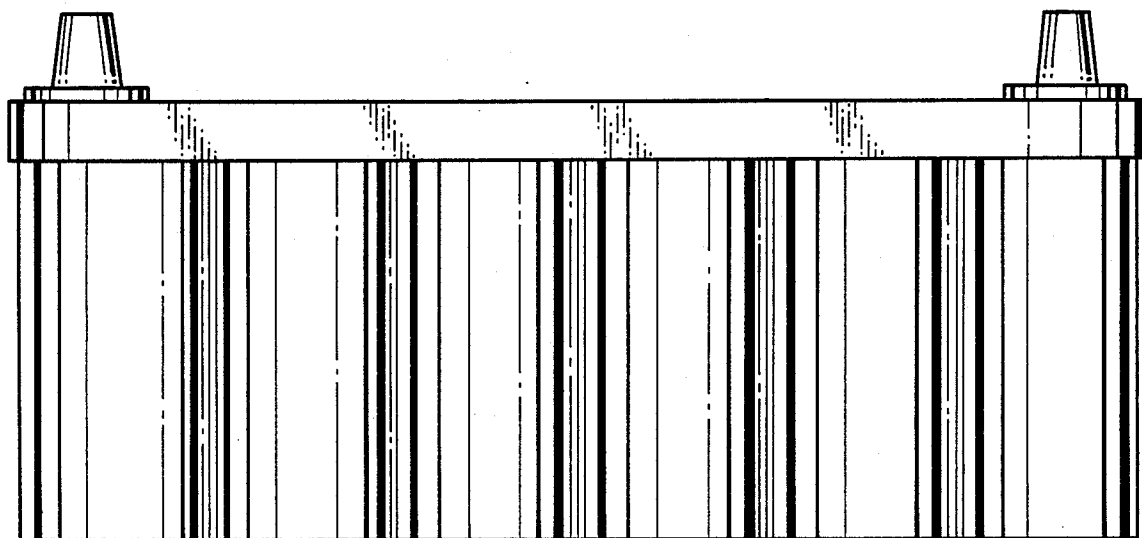


FIG. 4

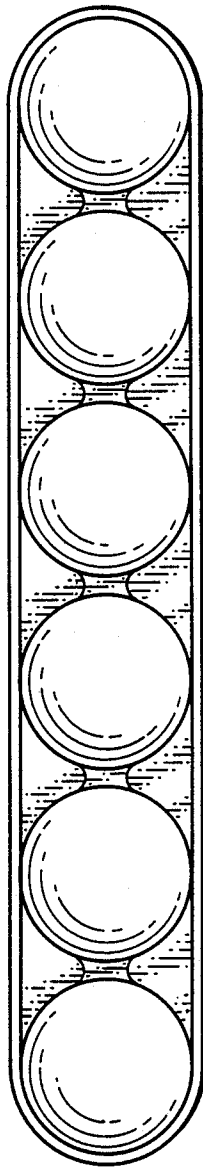


FIG. 5