



US00D547593S

(12) **United States Design Patent**
May

(10) **Patent No.:** **US D547,593 S**

(45) **Date of Patent:** **** Jul. 31, 2007**

(54) **BARBECUE**

(75) Inventor: **Andrew Robert May**, London (GB)

(73) Assignee: **Outback (UK) Limited**, Maidstone, Kent (GB)

(**) Term: **14 Years**

(21) Appl. No.: **29/253,344**

(22) Filed: **Feb. 6, 2006**

(30) **Foreign Application Priority Data**

Aug. 8, 2005 (GB) 000383914-0001

(51) **LOC (8) Cl.** **07-02**

(52) **U.S. Cl.** **D7/334**

(58) **Field of Classification Search** D7/332-337,
D7/402-405; D23/335-336, 343; 126/500,
126/506, 519, 40, 50, 9 R, 9 B, 25 R, 25 A,
126/304 R, 305, 268, 276, 41 R, 37 R; 99/445,
99/448, 481-482; 248/128-129; 312/249.8,
312/249.13, 351.2; D6/511, 574

See application file for complete search history.

(56) **References Cited**

U.S. PATENT DOCUMENTS

D386,937 S * 12/1997 Pai D7/334
D460,312 S * 7/2002 Fry et al. D7/334
D486,033 S * 2/2004 Tseng D7/334

D489,221 S * 5/2004 Pai D7/334
D501,753 S * 2/2005 Pai D7/334
D502,357 S * 3/2005 Pai D7/334
D521,307 S * 5/2006 Parrant et al. D7/334

OTHER PUBLICATIONS

Grovelands, "Outback Excel 100 Barbecue/BBQ-Outback Excel Gas Barbecues EX100/06" [online], [Retrieved on Jan. 10, 2007]. Retrieved on the Internet <www.grovelands.com>.*

* cited by examiner

Primary Examiner—Ruth McInroy

(74) *Attorney, Agent, or Firm*—Dowell & Dowell, PC

(57) **CLAIM**

The ornamental design for a barbecue, as shown and described.

DESCRIPTION

FIG. 1 is a front perspective view of a barbecue showing my new design;

FIG. 2 is a front elevational view thereof;

FIG. 3 is a rear elevational view thereof;

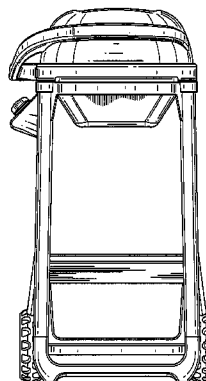
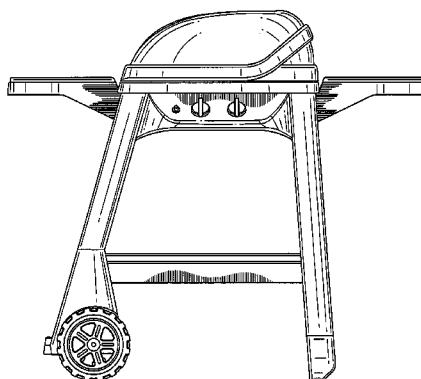
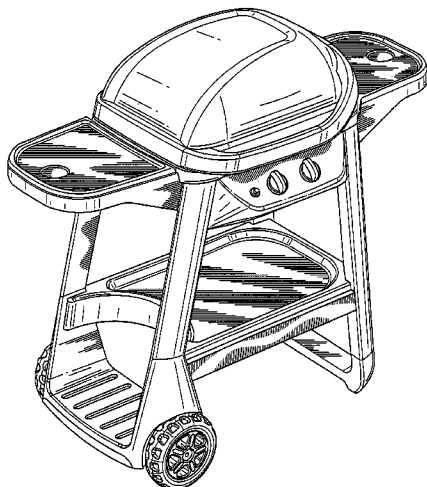
FIG. 4 is a bottom plan view thereof;

FIG. 5 is a top plan view thereof;

FIG. 6 is a right side view thereof; and,

FIG. 7 is a left side view thereof.

1 Claim, 7 Drawing Sheets



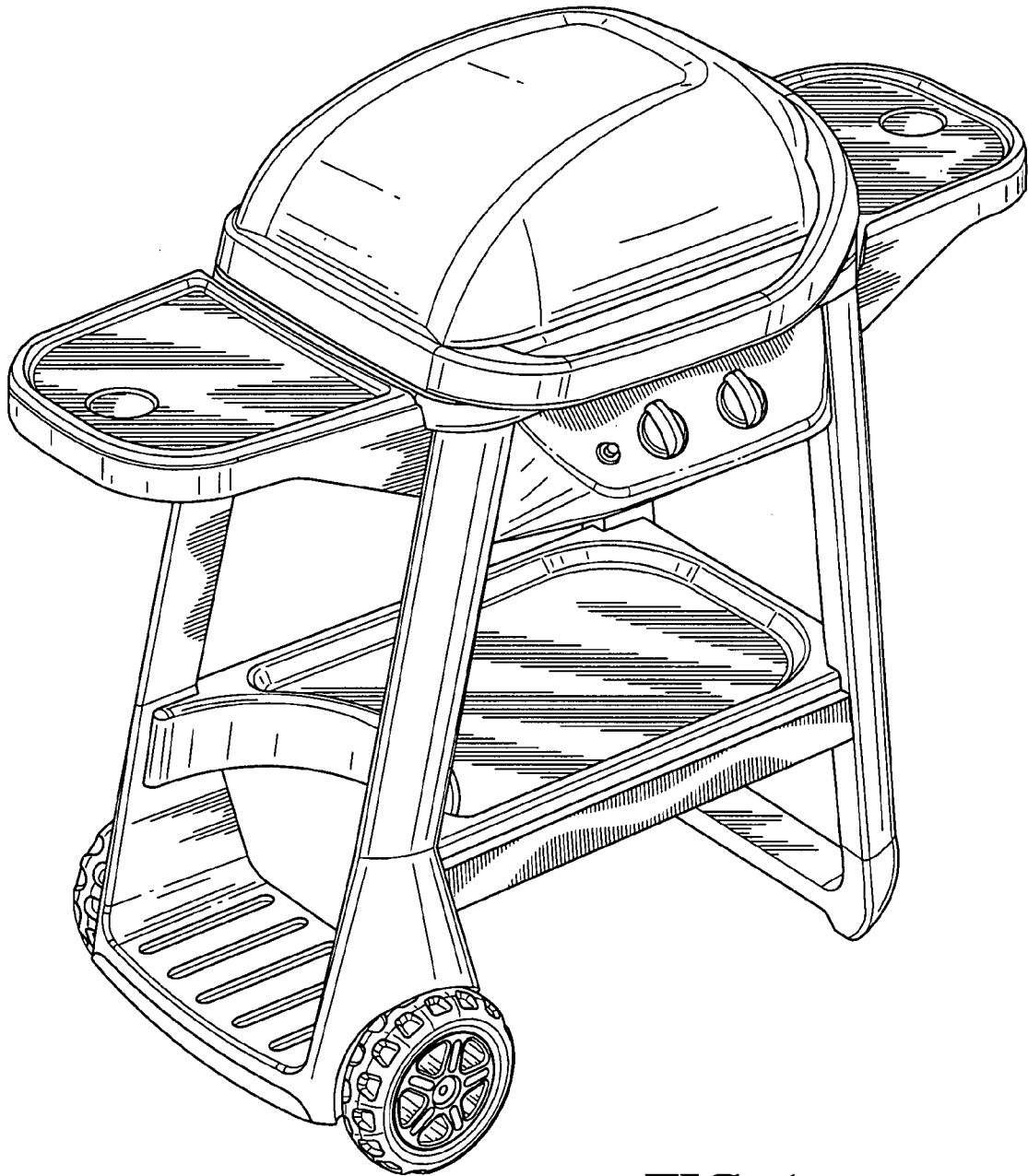


FIG. 1

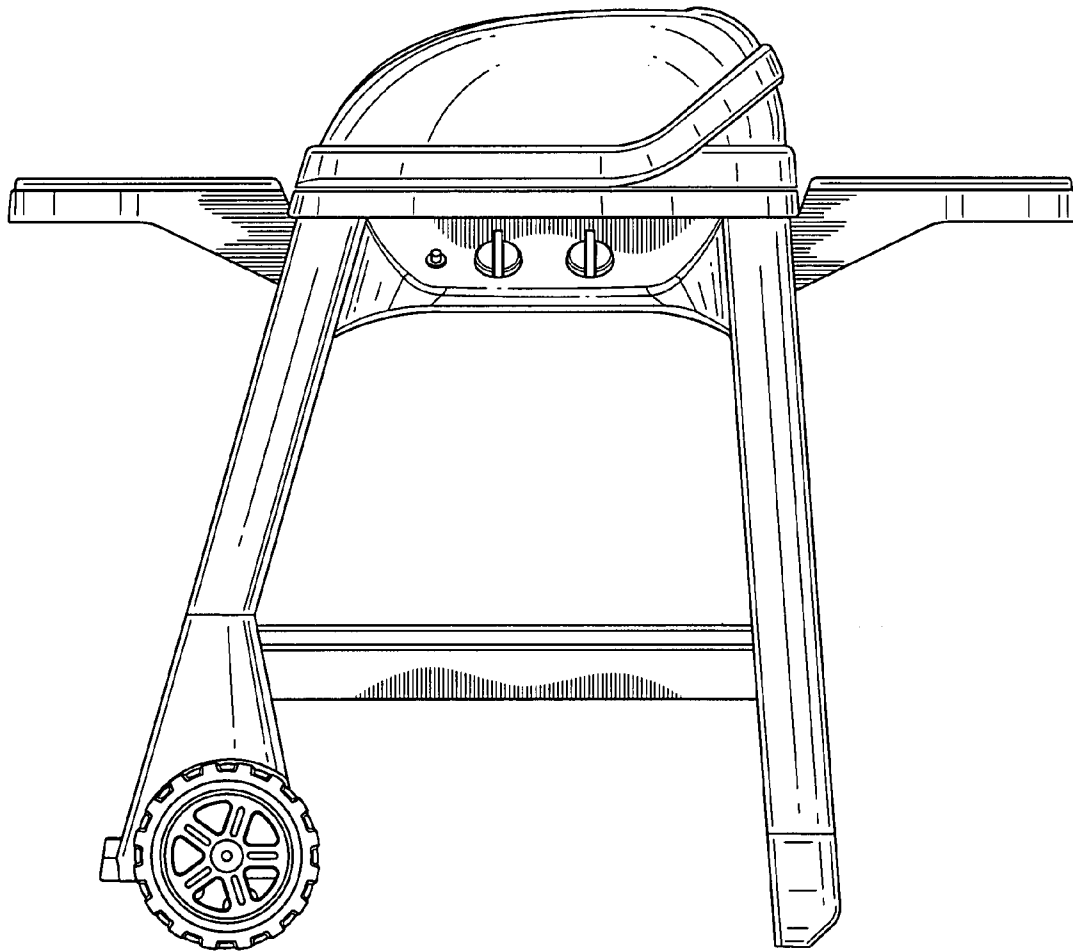


FIG. 2

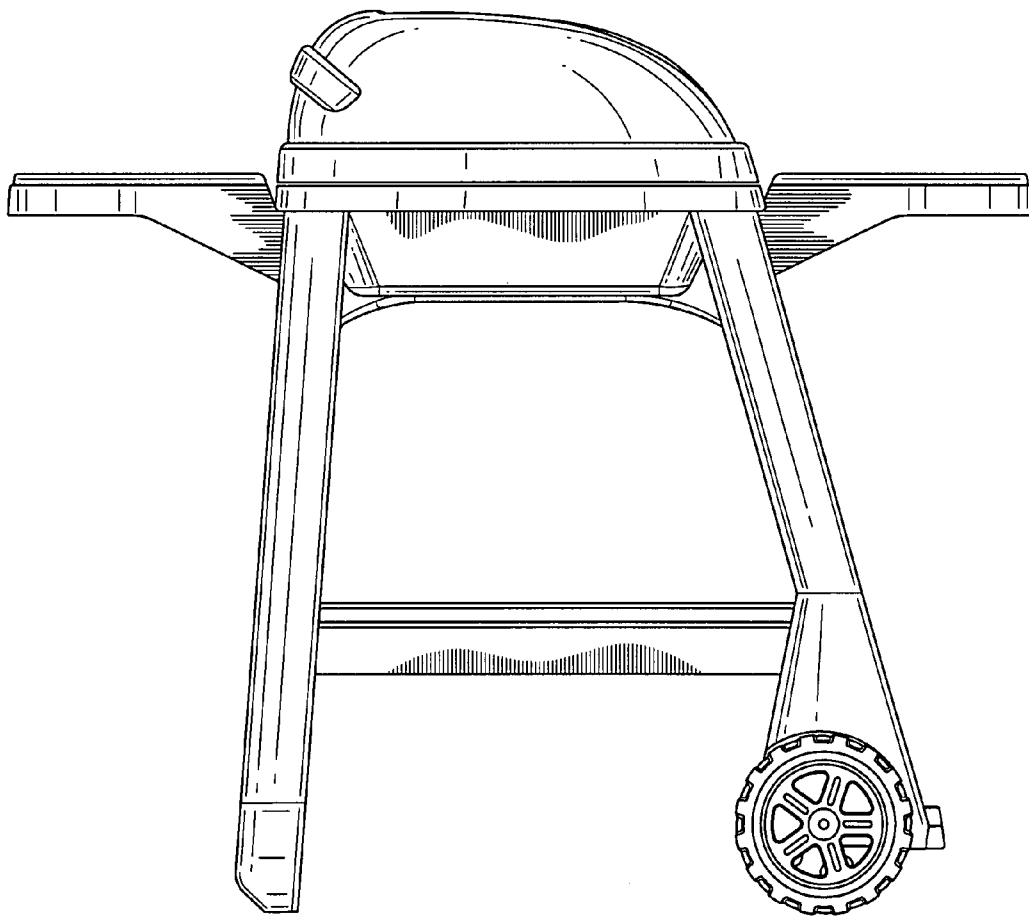


FIG. 3

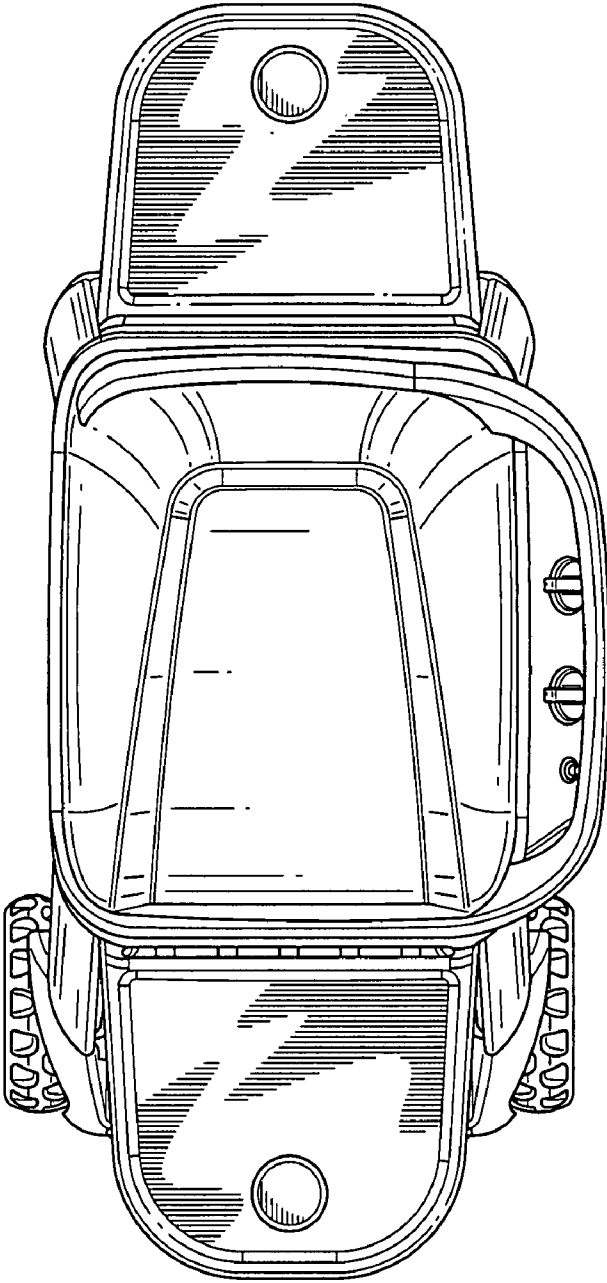


FIG. 4

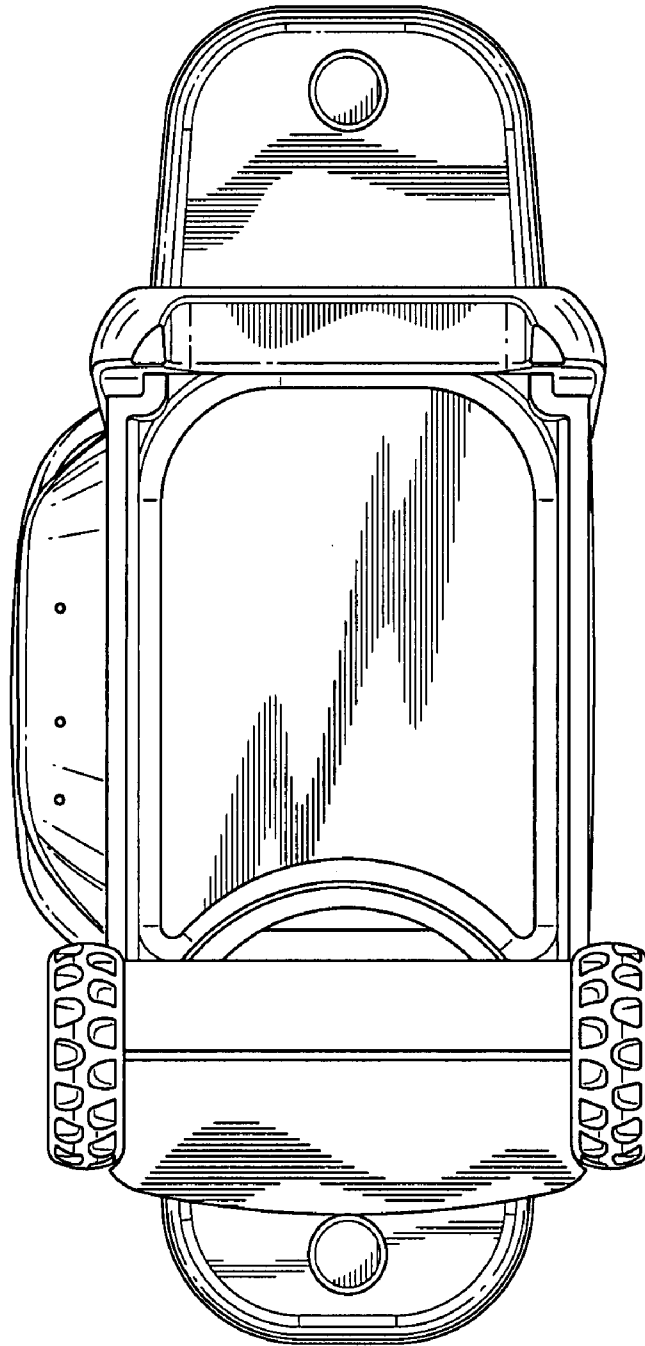


FIG. 5

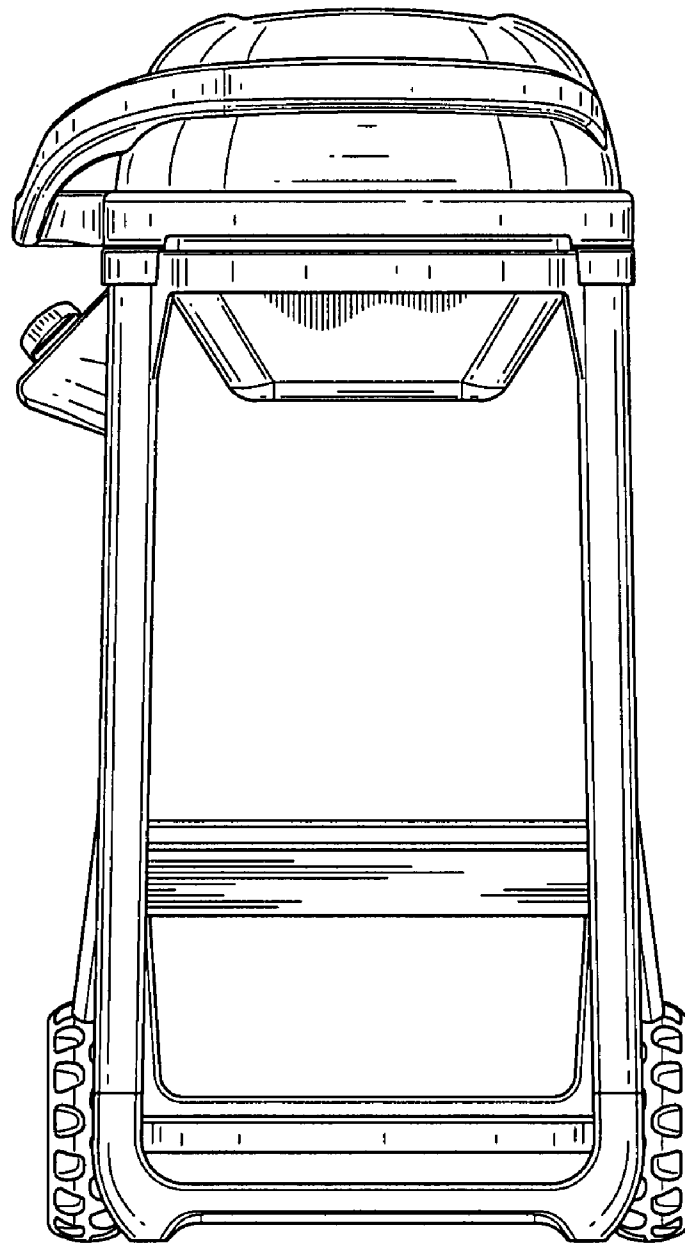


FIG. 6

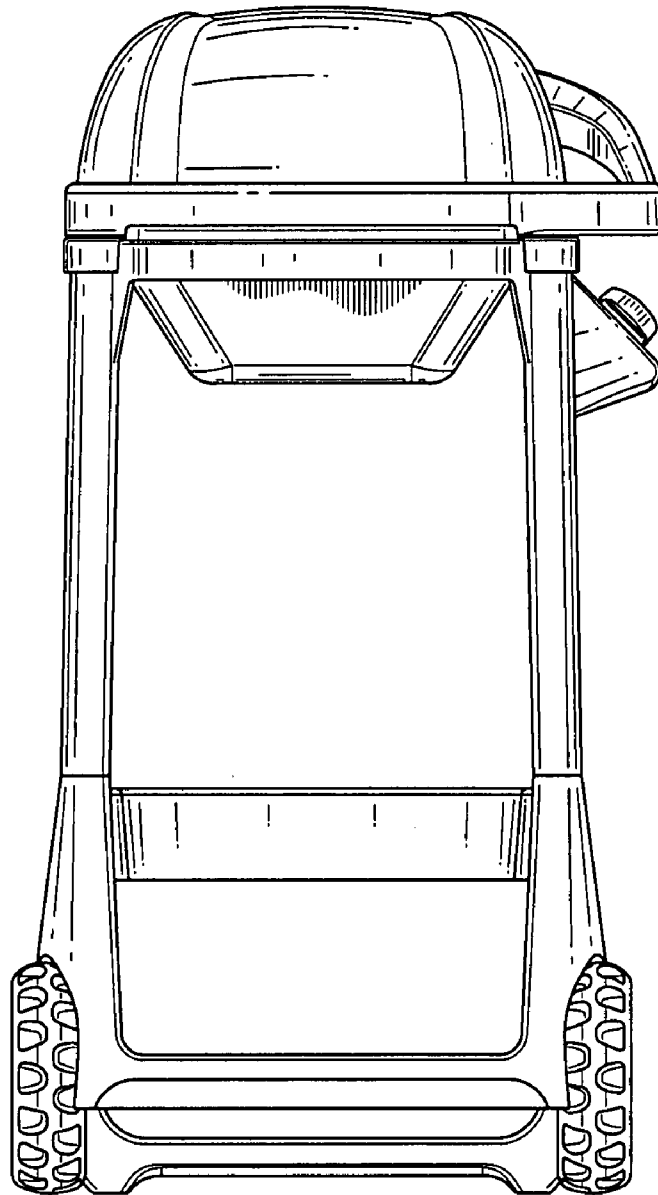


FIG. 7