



US00D890698S

(12) **United States Design Patent**
Liu

(10) **Patent No.:** **US D890,698 S**

(45) **Date of Patent:** **** Jul. 21, 2020**

(54) **POWER BANK**

(71) Applicant: **Guangzhou Rimsea Technology Co., Ltd.**, Guangdong (CN)

(72) Inventor: **Bingbin Liu**, Guangdong (CN)

(**) Term: **15 Years**

(21) Appl. No.: **29/687,284**

(22) Filed: **Apr. 11, 2019**

(51) **LOC (12) Cl.** **13-02**

(52) **U.S. Cl.**

USPC **D13/108**; D13/103

(58) **Field of Classification Search**

USPC D13/103, 107-108, 110, 184, 199;
D27/193, 194

CPC H02J 7/0044; H02J 7/0045; H02J 7/0042;
H02J 7/342; H02J 7/345; H02J 7/025;
H02J 7/0007; H02J 7/0027; B60R 16/033

See application file for complete search history.

(56) **References Cited**

U.S. PATENT DOCUMENTS

5,130,891	A	*	7/1992	Christie	B60R 11/02	330/65
D667,788	S	*	9/2012	Mai	D13/110	
D704,135	S	*	5/2014	Stewart	D13/108	
D705,721	S	*	5/2014	Huang	D13/103	
D711,318	S	*	8/2014	Xinfang	D13/103	
D712,351	S	*	9/2014	Zeng	D13/103	
D713,786	S	*	9/2014	Wen	D13/103	

D717,243	S	*	11/2014	Liu	D13/103	
D742,310	S	*	11/2015	Yen	D13/108	
D760,647	S	*	7/2016	Chen	D13/103	
D762,170	S	*	7/2016	Lei	D13/108	
D763,185	S	*	8/2016	Wen	D13/103	
D786,192	S	*	5/2017	Liu	D13/107	
D812,000	S	*	3/2018	Li	D13/108	
D814,405	S	*	4/2018	Hahn	D13/107	
D821,306	S	*	6/2018	Liu	D13/107	
D826,854	S	*	8/2018	Roberts	D13/108	
D872,011	S	*	1/2020	Rao	D13/107	
D874,396	S	*	2/2020	Rao	D13/107	
2016/0359352	A1	*	12/2016	Chiu	F02N 11/12	
2018/0166897	A1	*	6/2018	Deng	H02J 7/0044	

* cited by examiner

Primary Examiner — Rosemary K Tarcza

(74) *Attorney, Agent, or Firm* — Prakash Nama; Global IP Services, PLLC

(57) **CLAIM**

The ornamental design for a power bank, as shown.

DESCRIPTION

FIG. 1 is a front elevational view of a power bank showing my new design;

FIG. 2 is a rear elevational view thereof;

FIG. 3 is a left side view thereof;

FIG. 4 is a right side view thereof;

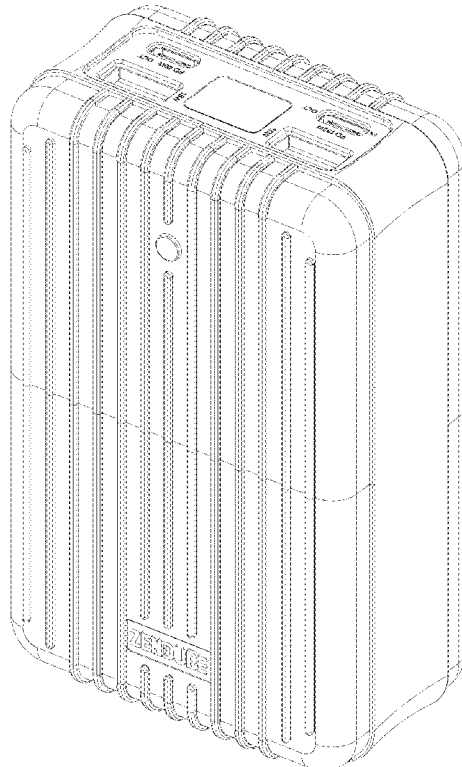
FIG. 5 is a top plan view thereof;

FIG. 6 is a bottom plan view thereof;

FIG. 7 is a perspective view thereof; and,

FIG. 8 is another perspective view thereof.

1 Claim, 8 Drawing Sheets



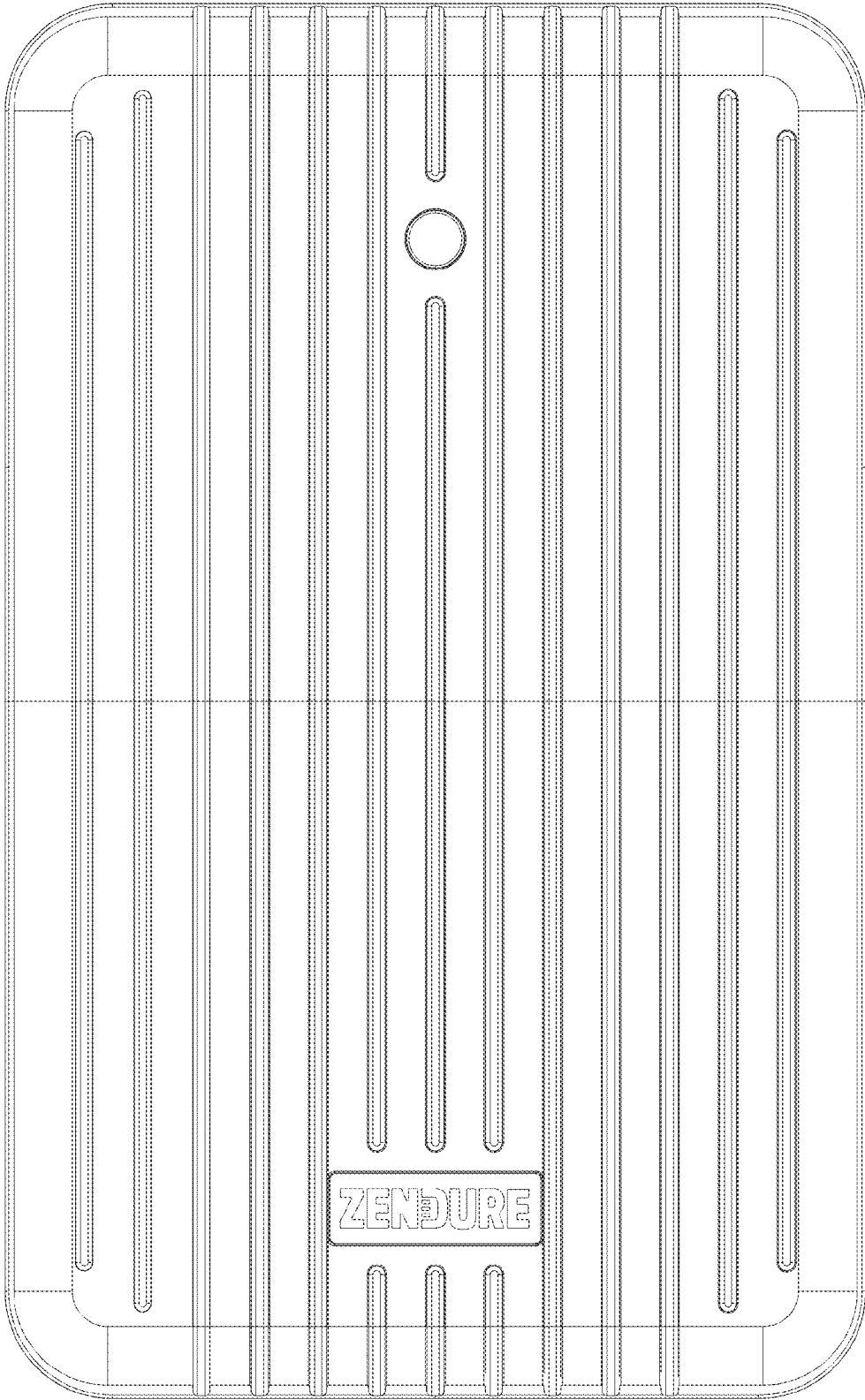


Fig. 1

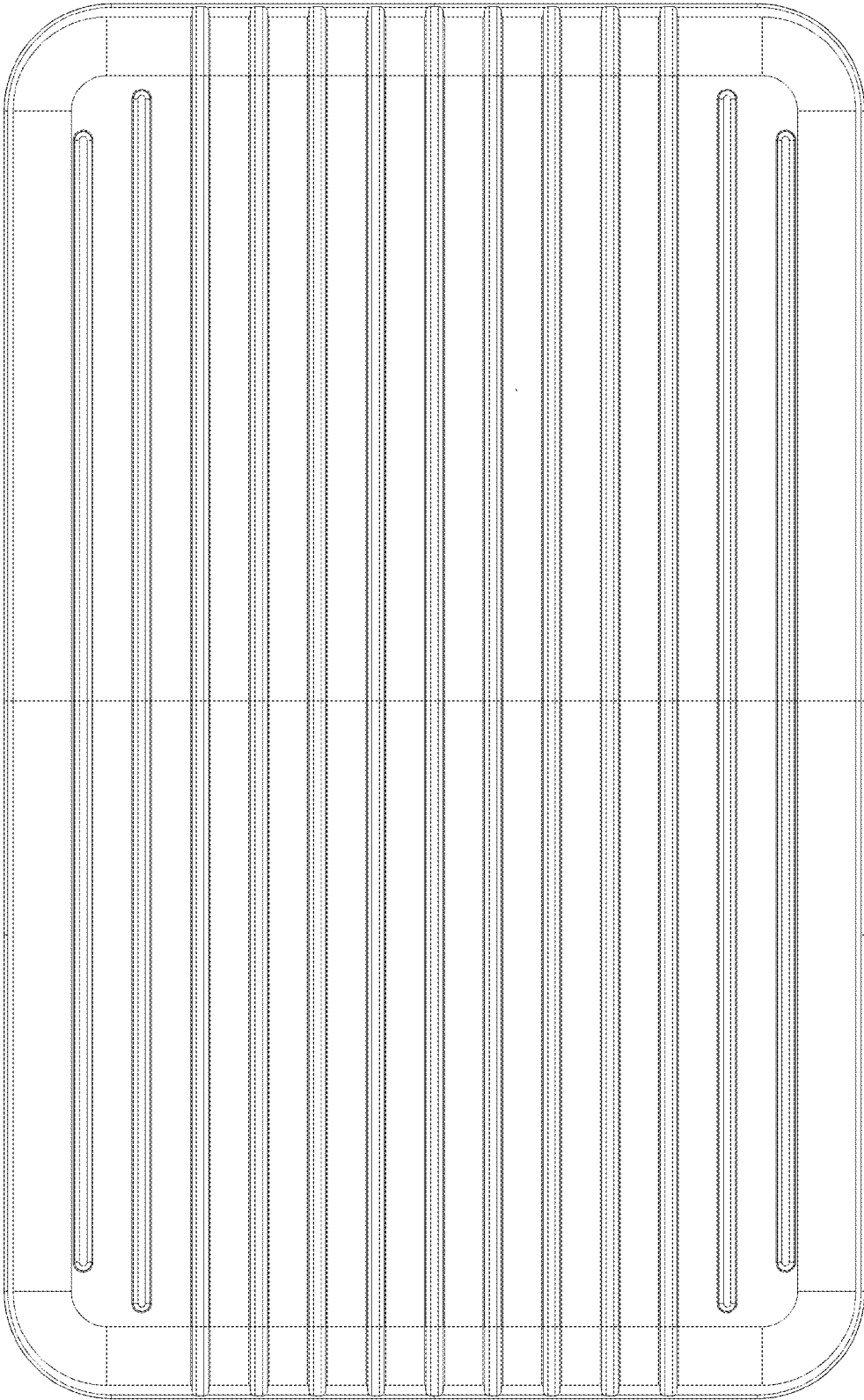


Fig. 2

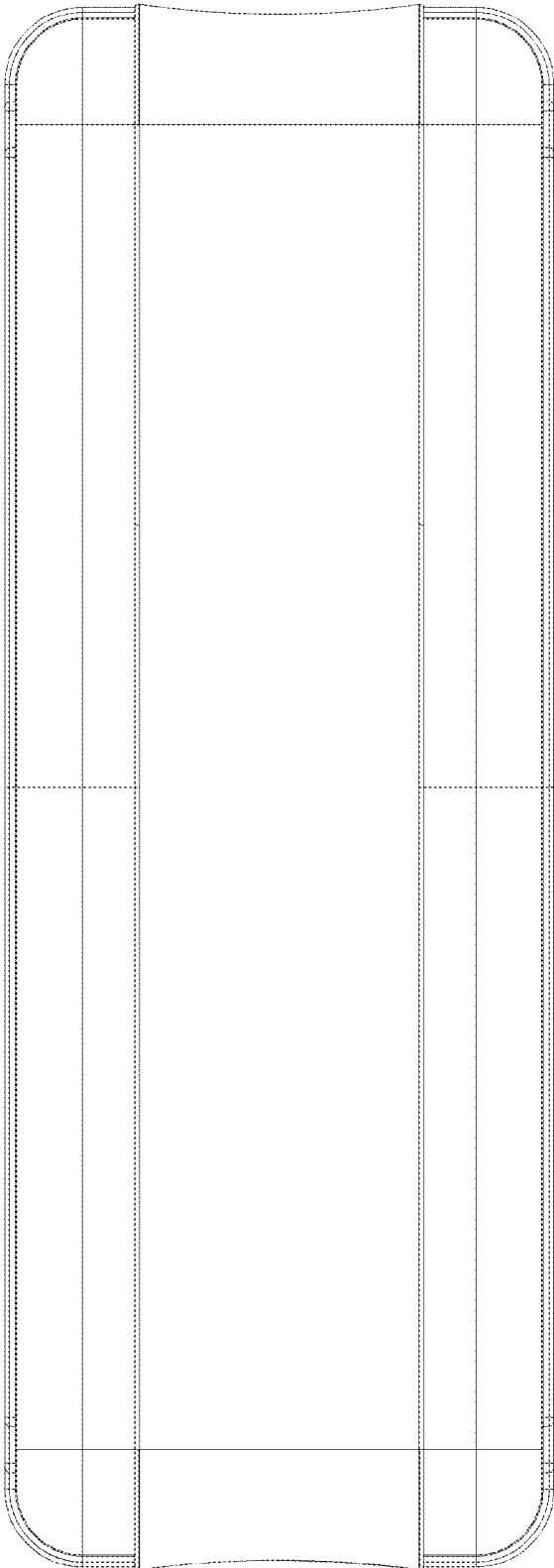


Fig. 3

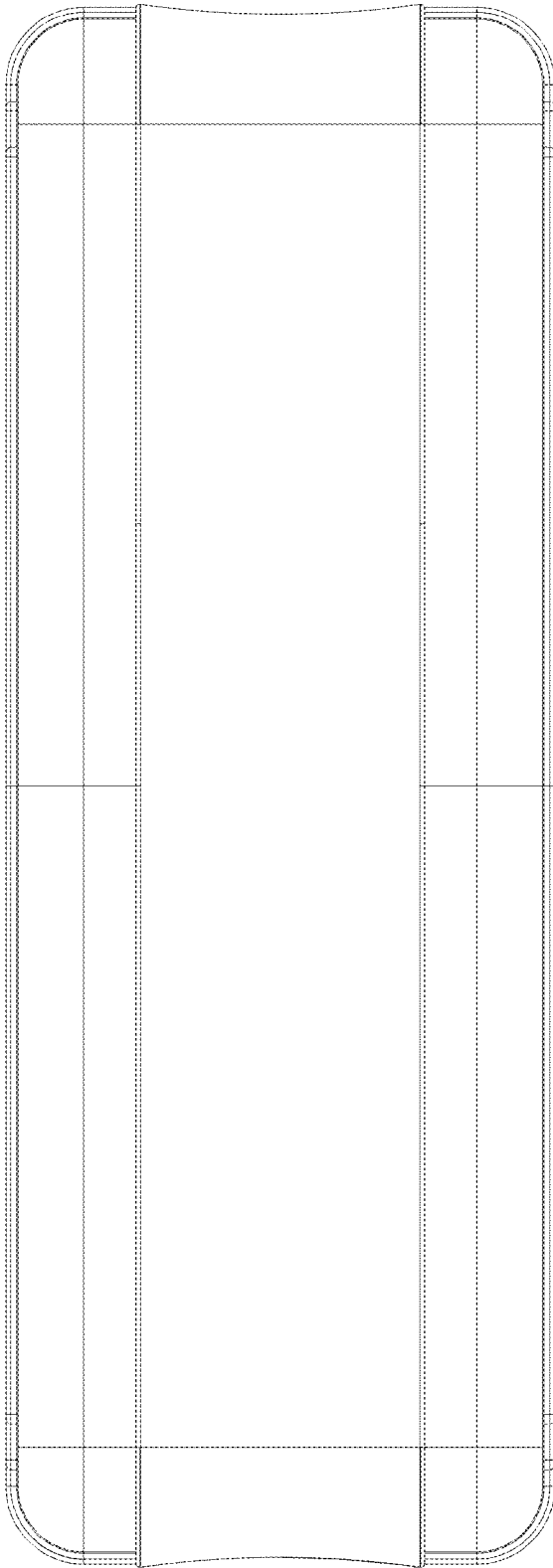


Fig. 4

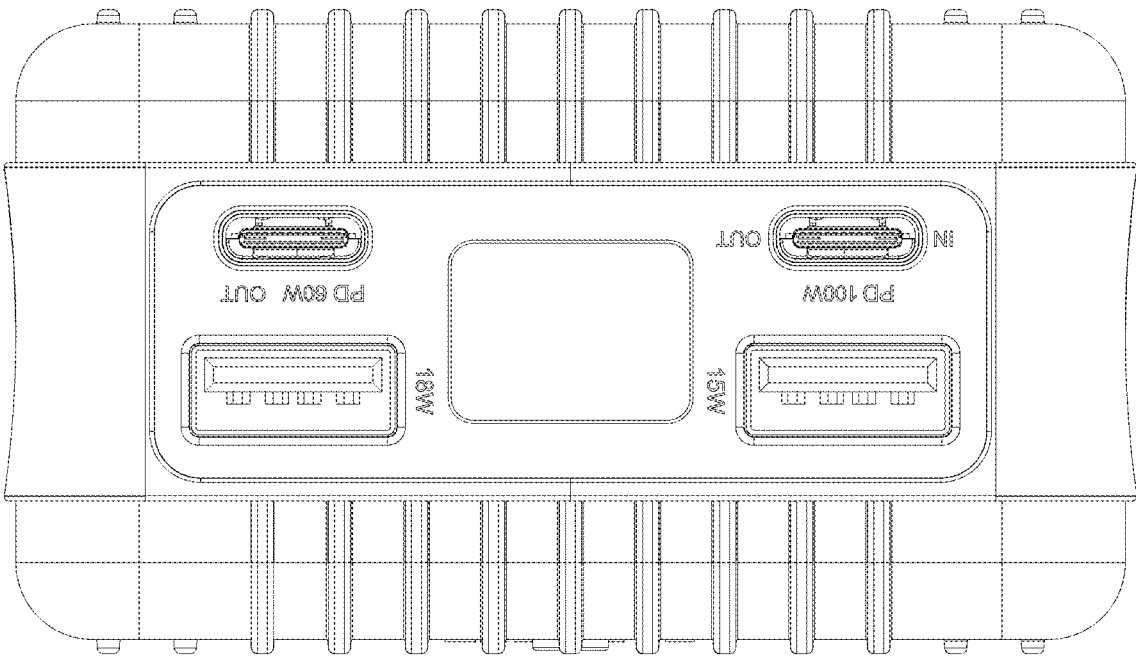


Fig. 5

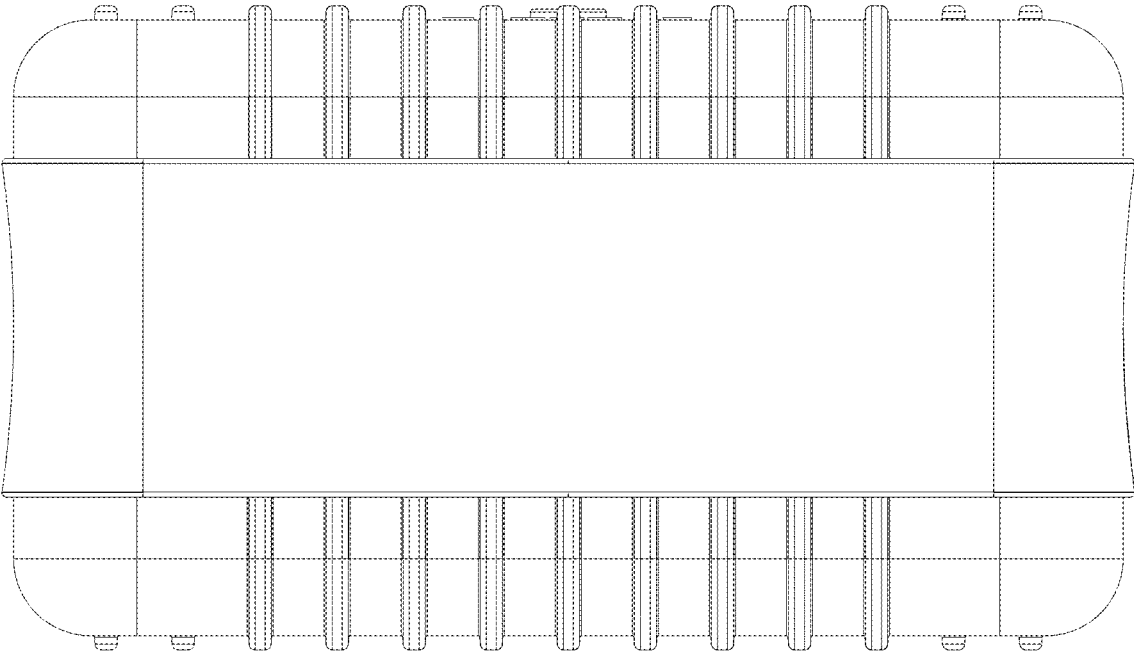


Fig. 6

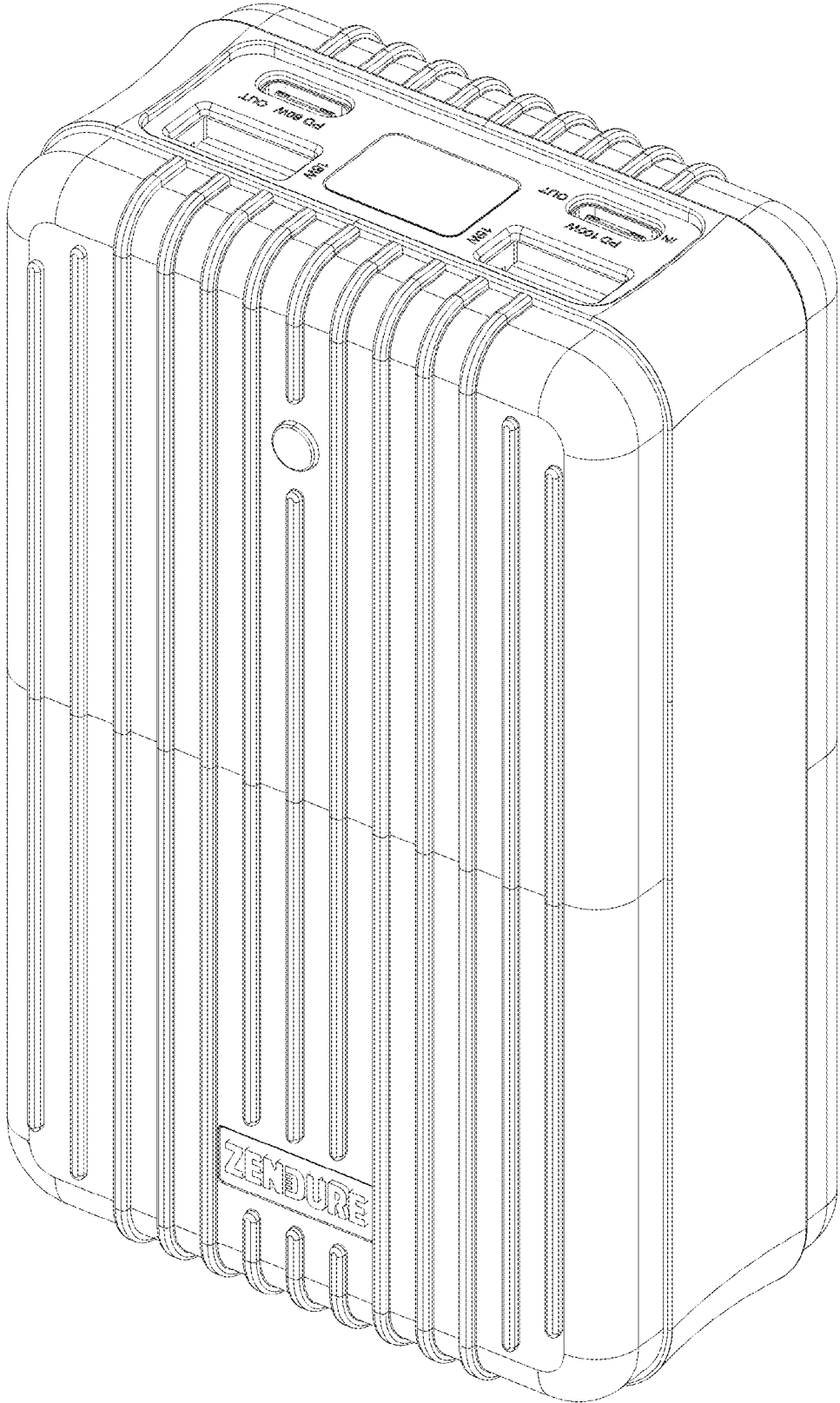


Fig. 7

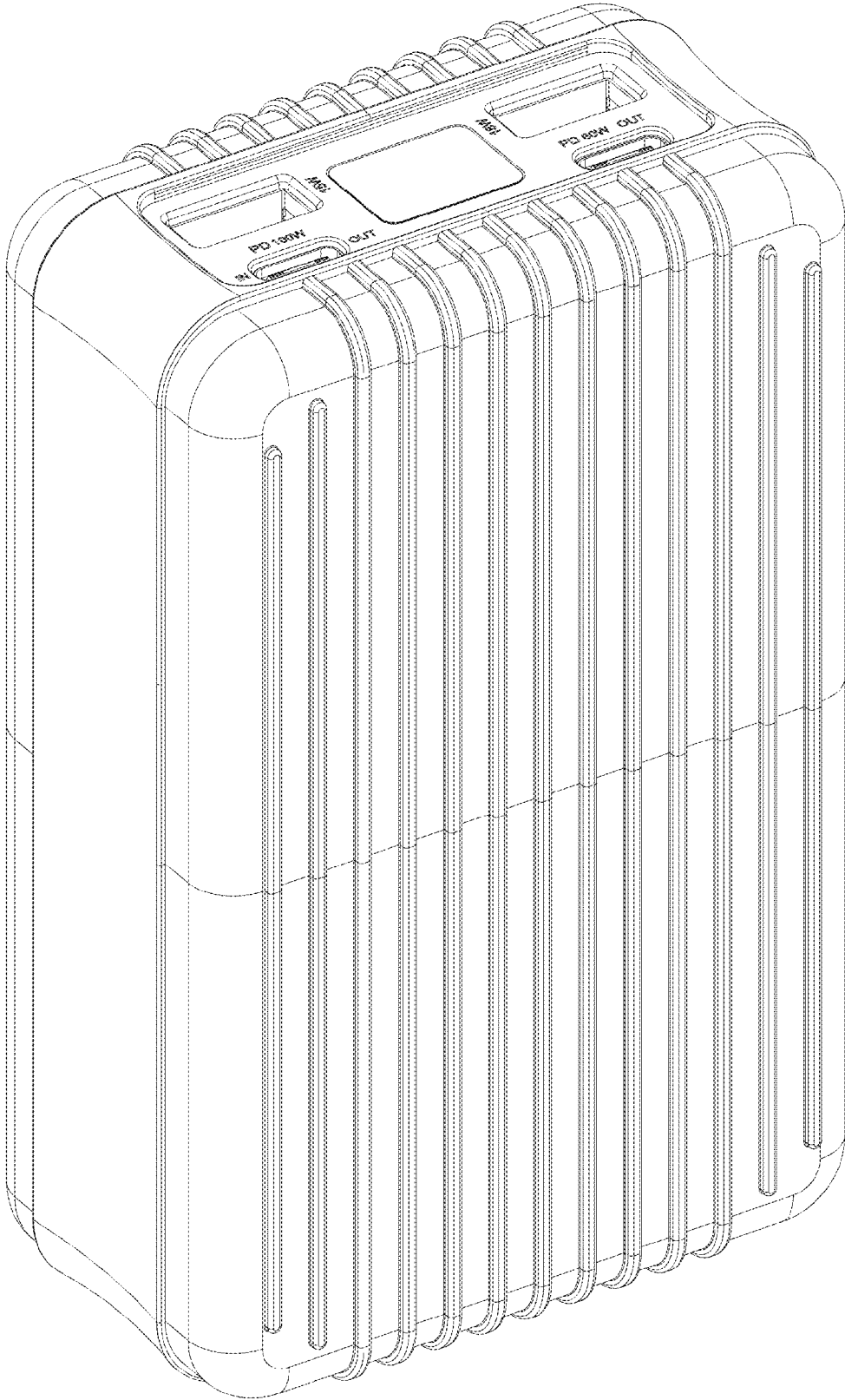


Fig. 8