



US00D885631S

(12) **United States Design Patent**
Li

(10) **Patent No.:** **US D885,631 S**

(45) **Date of Patent:** **** May 26, 2020**

(54) **SOLAR LAMP**

(71) Applicant: **Yulin Li**, Guangdong (CN)

(72) Inventor: **Yulin Li**, Guangdong (CN)

(**) Term: **15 Years**

(21) Appl. No.: **29/670,762**

(22) Filed: **Nov. 19, 2018**

(51) **LOC (12) Cl.** **26-05**

(52) **U.S. Cl.**
USPC **D26/67**

(58) **Field of Classification Search**
USPC D26/67-70, 138
CPC .. F21S 8/081; F21S 8/083; F21S 8/088; F21S
8/032; F21S 9/037; F21V 3/023; F21V
21/0824; F21W 2111/023; F21W
2131/109
See application file for complete search history.

(56) **References Cited**

U.S. PATENT DOCUMENTS

D782,106 S * 3/2017 Porciatti D26/138
D822,253 S * 7/2018 Wu D26/68

D834,240 S * 11/2018 Mullen D26/138
D841,873 S * 2/2019 Hollinger D26/118
D841,879 S * 2/2019 Hollinger D26/142
D864,452 S * 10/2019 Wei D26/67
D866,839 S * 11/2019 Yan D26/67
2009/0059572 A1 * 3/2009 Wang F21S 9/037
362/183
2018/0149350 A1 * 5/2018 Johnson-Gray H01R 13/5213
2019/0128486 A1 * 5/2019 Hollinger F21L 4/04

* cited by examiner

Primary Examiner — Clare E Heflin

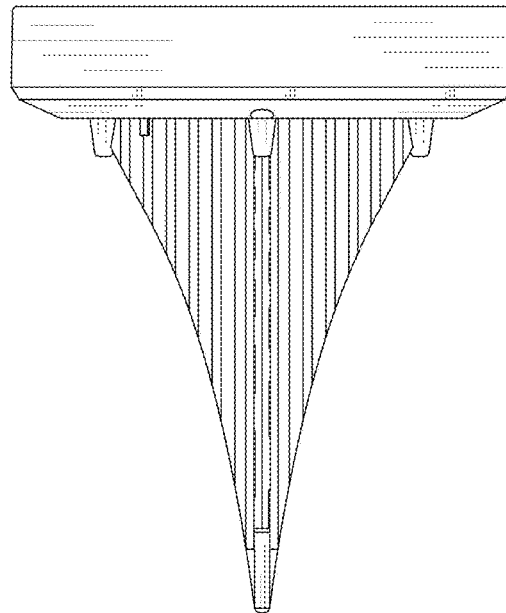
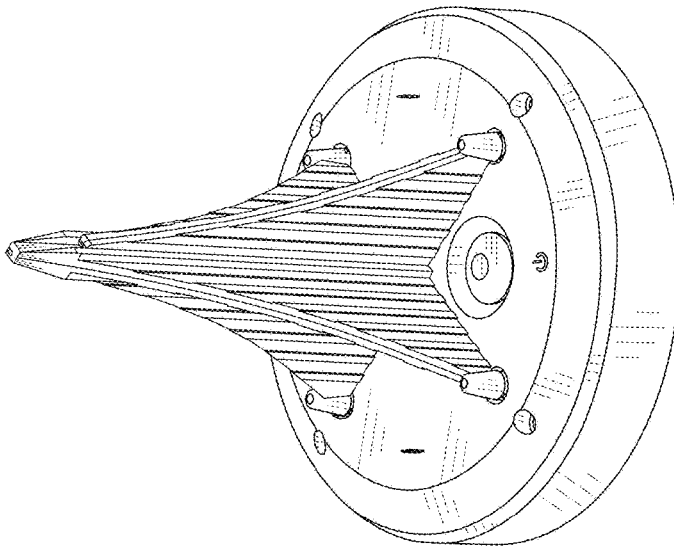
(57) **CLAIM**

I claim the ornamental design for the solar lamp, as shown and described.

DESCRIPTION

FIG. 1 is a perspective view of a solar lamp showing my new design;
FIG. 2 is a front elevational view thereof;
FIG. 3 is a rear elevational view thereof;
FIG. 4 is a left side elevational view thereof;
FIG. 5 is a right side elevational view thereof;
FIG. 6 is a top plan view thereof; and,
FIG. 7 is a bottom plan view thereof.
The broken lines in the drawings depict portions of the solar lamp that form no part of the claimed design.

1 Claim, 7 Drawing Sheets



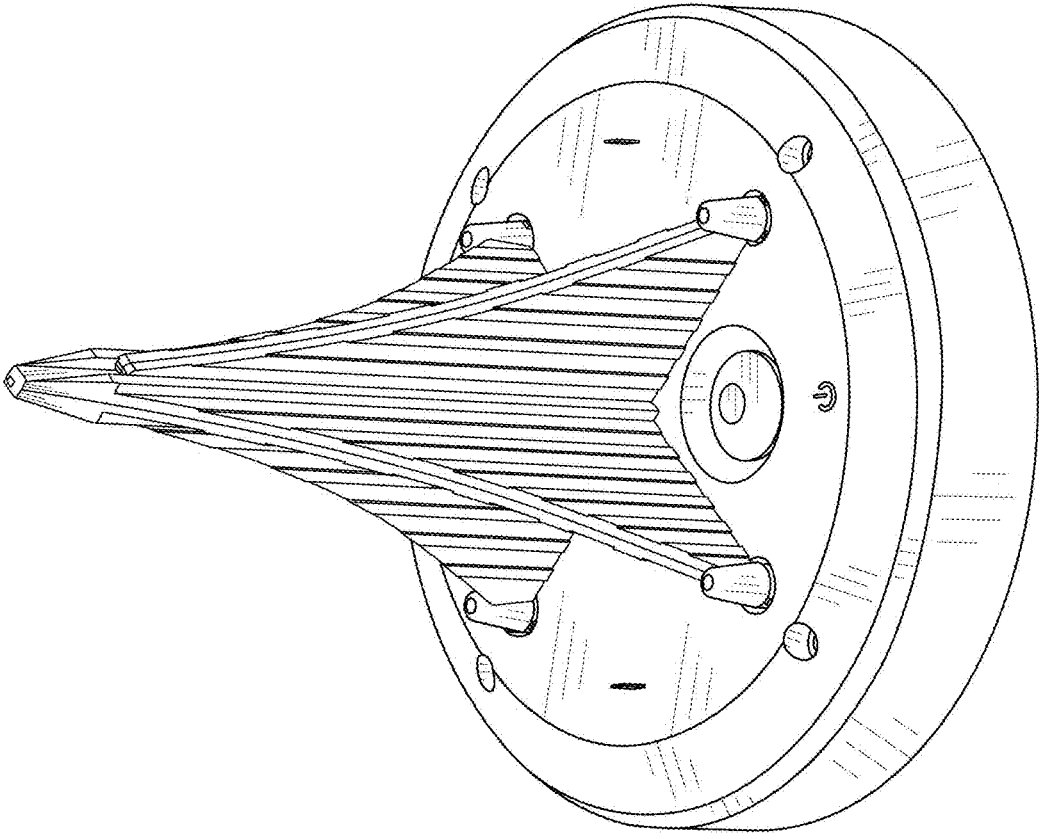


FIG.1

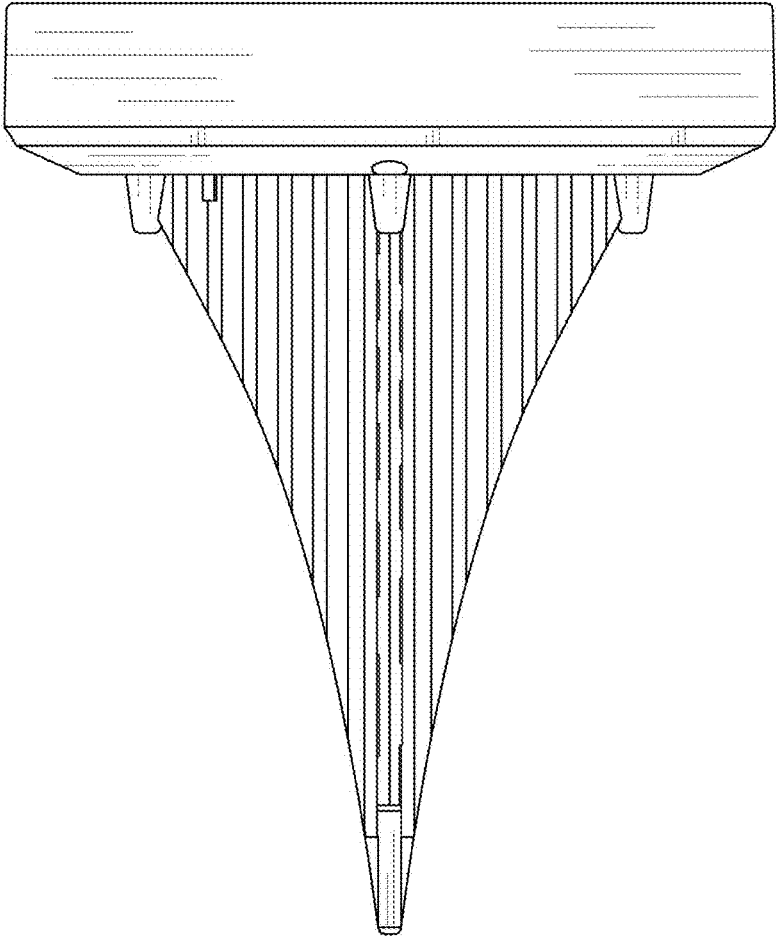


FIG.2

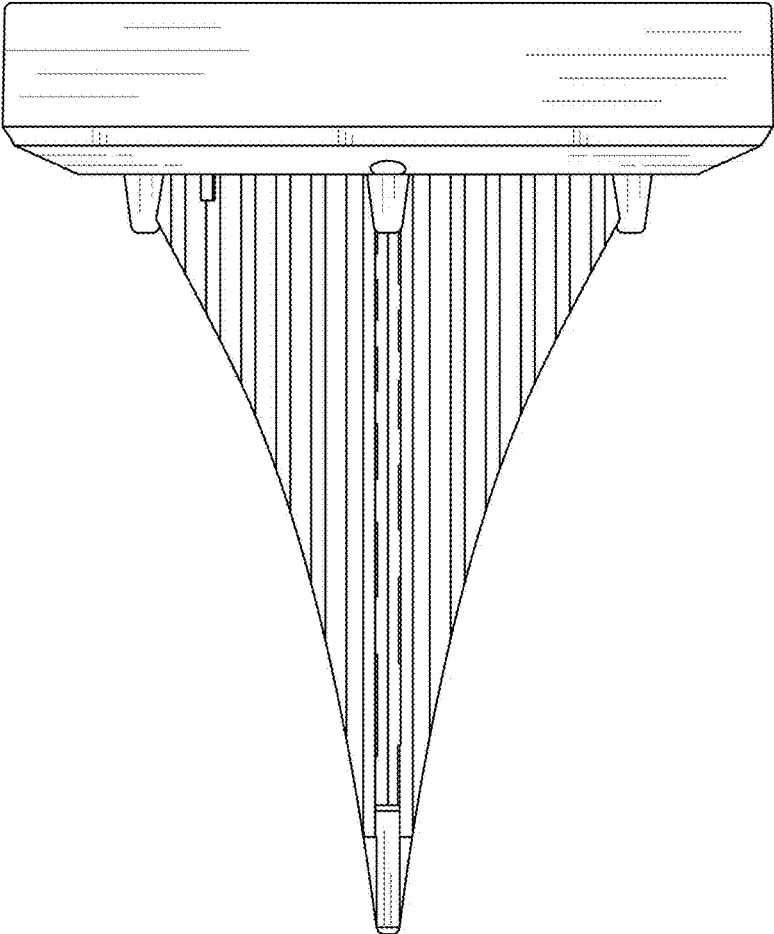


FIG.3

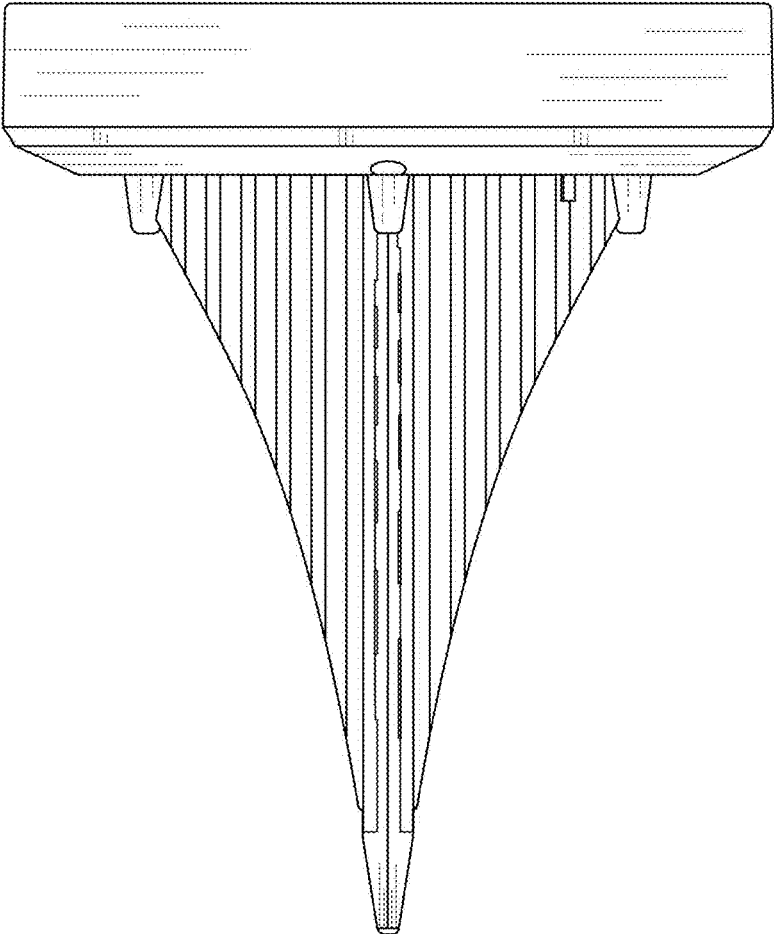


FIG.4

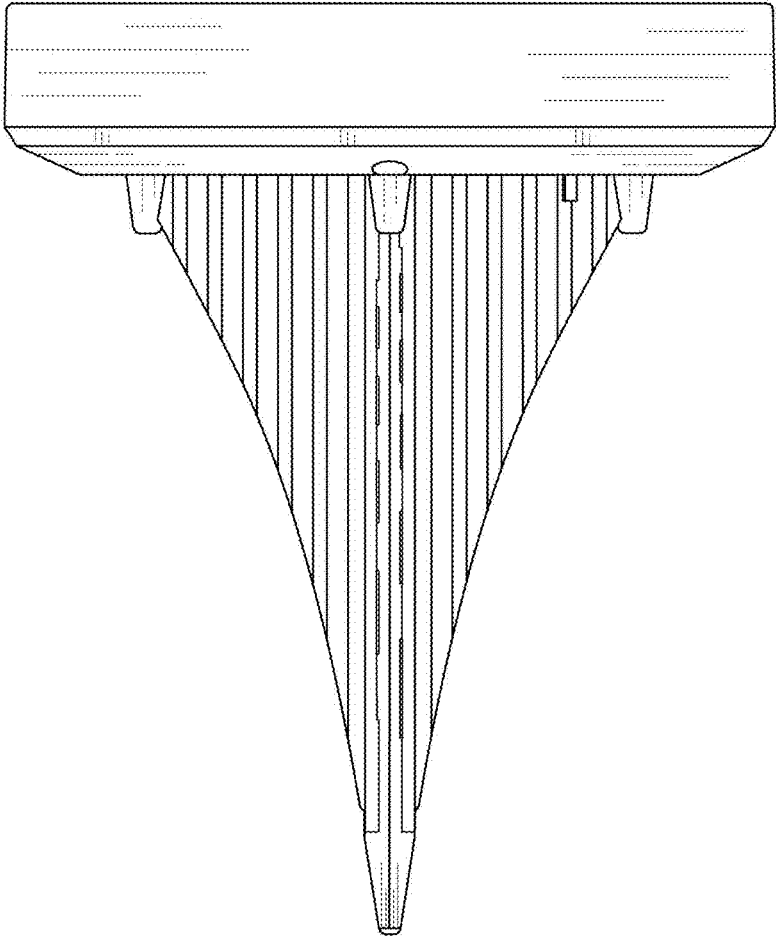


FIG.5

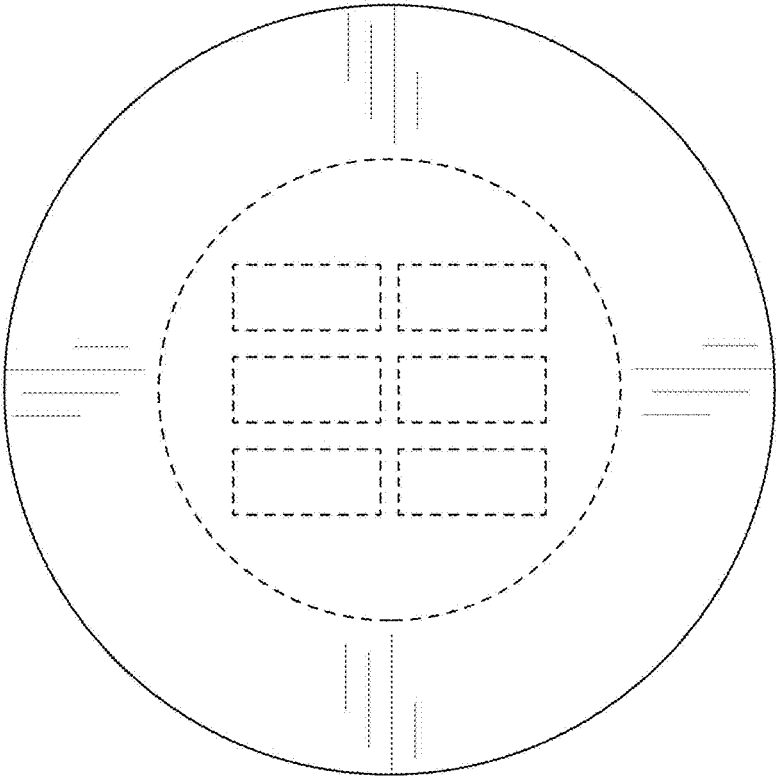


FIG.6

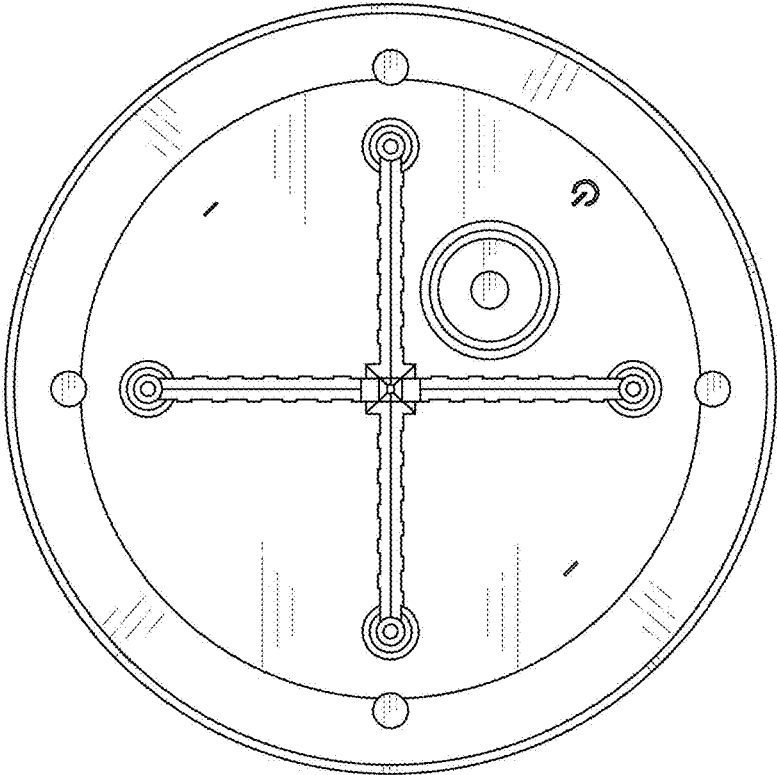


FIG.7