



US00D388638S

# United States Patent [19]

[11] Patent Number: Des. 388,638

Ludlam et al.

[45] Date of Patent: \*\*Jan. 6, 1998

[54] FOLDING TABLE

[57] CLAIM

[76] Inventors: Dale Ludlam; Maebelle Ludlam, both of P.O. Box 477, Waldo, Ark. 71770

The ornamental design for a folding table, as shown and described.

[\*\*] Term: 14 Years

### DESCRIPTION

[21] Appl. No.: 63,571

FIG. 1 is a perspective view of the folding table showing our new design in the deployed position;

[22] Filed: Dec. 10, 1996

FIG. 2 is a front elevational view thereof in the deployed position;

[51] LOC (6) Cl. .... 06-03

FIG. 3 is a side elevational view taken from the right side thereof in the deployed position;

[52] U.S. Cl. .... D6/480; D6/429

FIG. 4 is a rear elevational view in the deployed position;

[58] Field of Search ..... D6/480-489, 429-431, D6/495, 496, 498, 499; 108/118, 120, 144, 146, 153, 157, 161

FIG. 5 is a side elevational view taken from the left side thereof in the deployed position;

FIG. 6 is a top plan view thereof in the deployed position;

### [56] References Cited

FIG. 7 is a bottom plan view thereof in the deployed position;

#### U.S. PATENT DOCUMENTS

FIG. 8 is a perspective view of the folding table showing our new design in the folded position;

2,601,357	6/1952	Allbritton	108/118
2,618,525	11/1952	Panzer	108/118 X
3,646,895	3/1972	Campbell	108/118
5,584,254	12/1996	Williams	108/118

FIG. 9 is a front elevational view thereof in the folded position;

#### OTHER PUBLICATIONS

The Winfield Collection catalog, #36, p. 37, 190 FTAB Folding Tables.

FIG. 10 is a side of elevational view taken from the right side thereof in the folded position;

FIG. 11 is a bottom plan view thereof in the folded position; and,

FIG. 12 is a top plan view thereof in the folded position.

Primary Examiner—Janice E. Seeger

1 Claim, 5 Drawing Sheets

Attorney, Agent, or Firm—Mark Rogers; Gary N. Speed

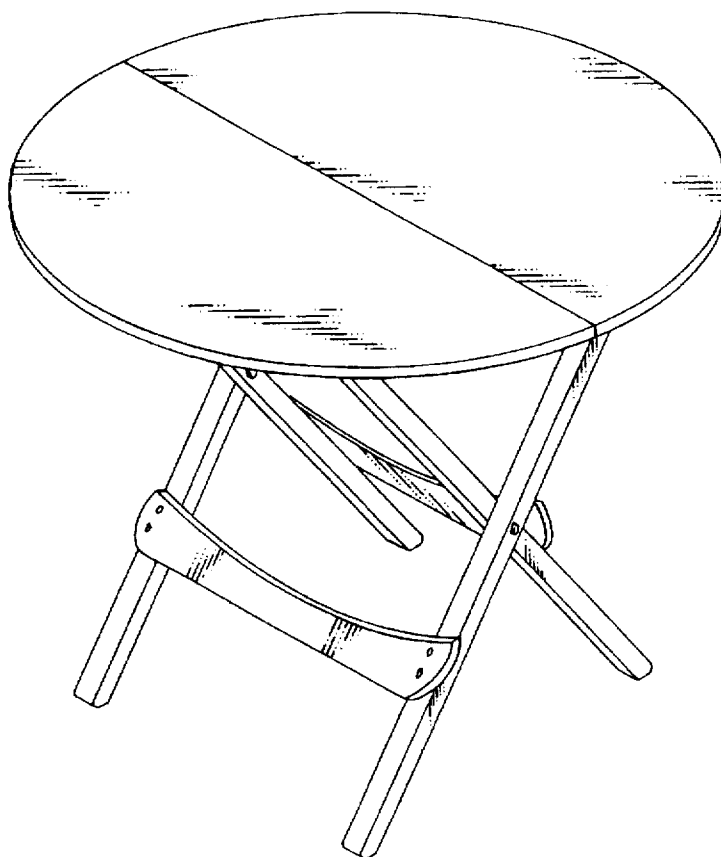


FIG. 1

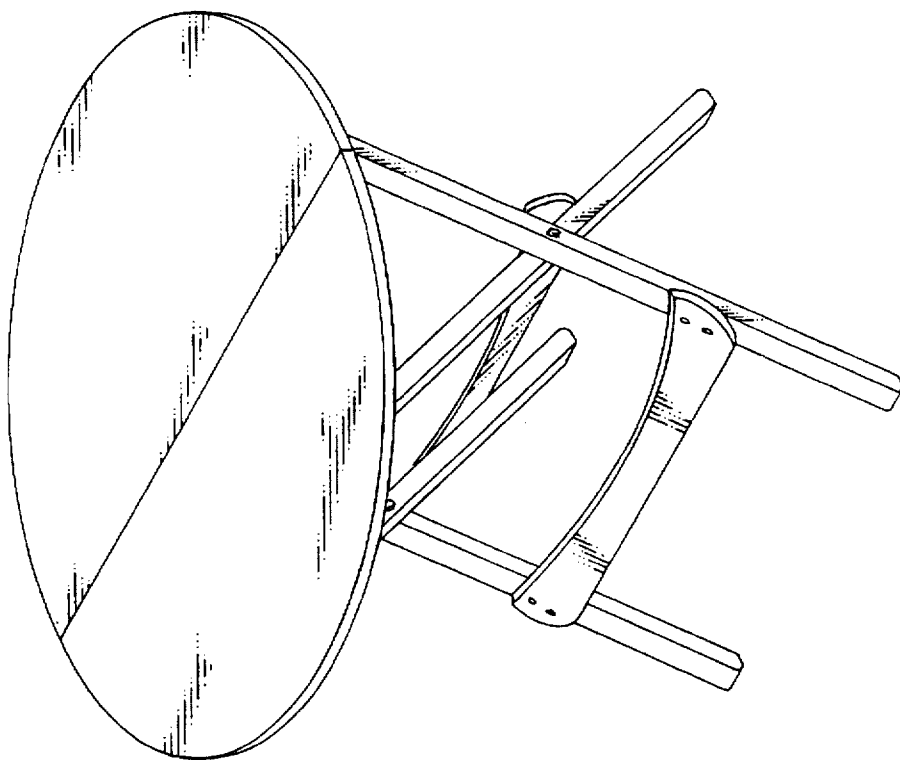


FIG. 2

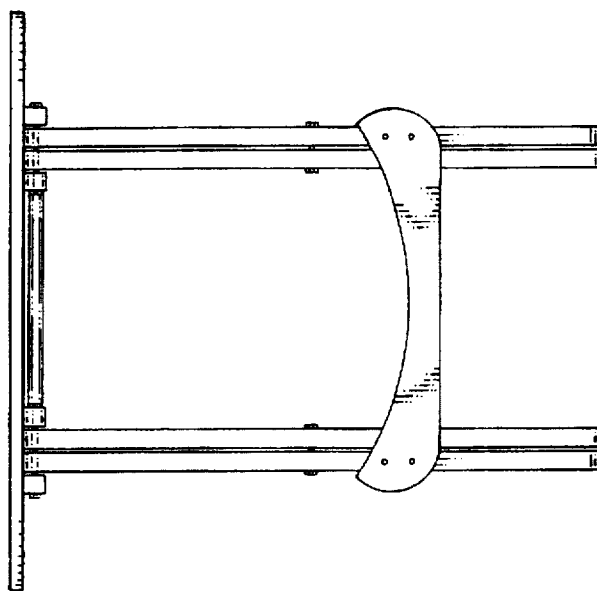


FIG. 3

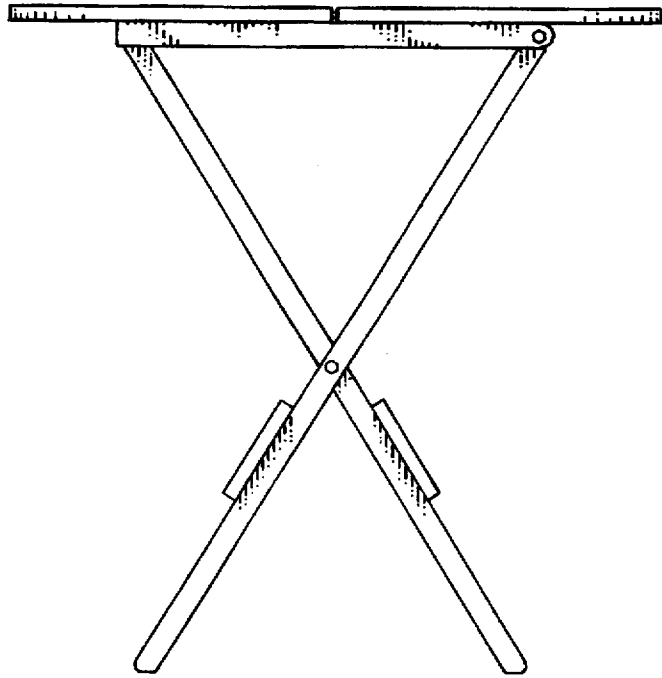


FIG. 4

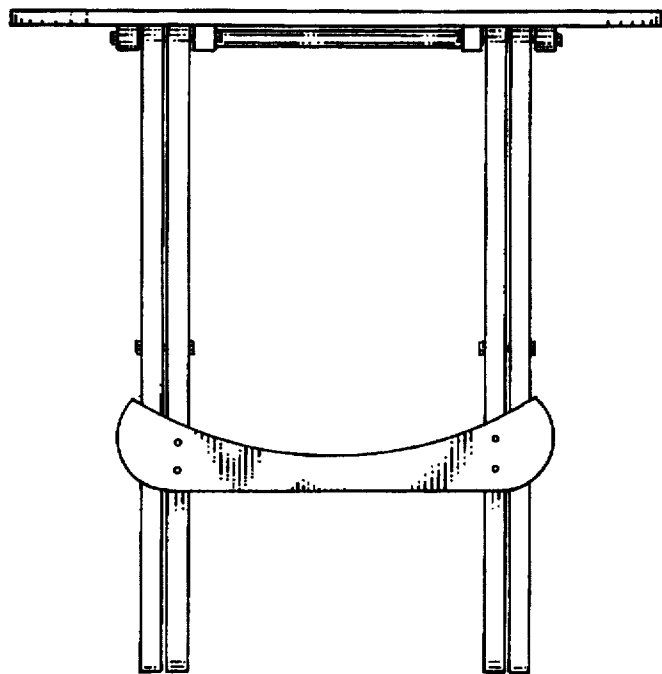


FIG. 5

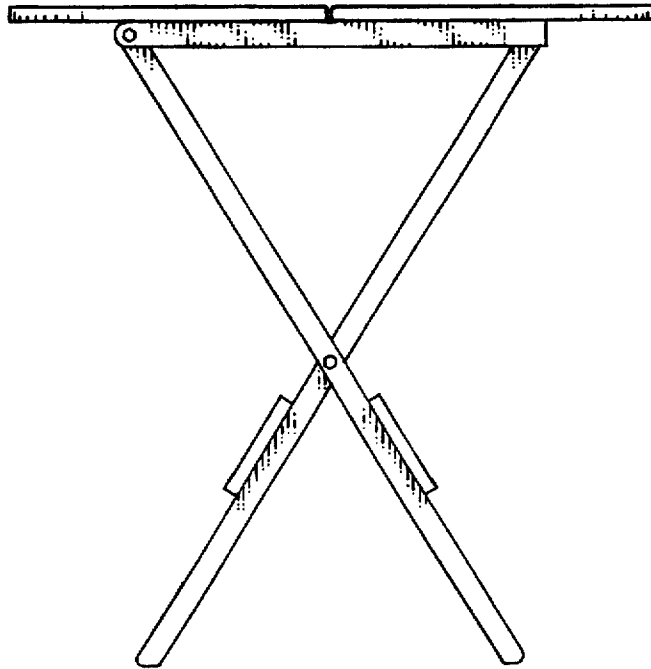


FIG. 6

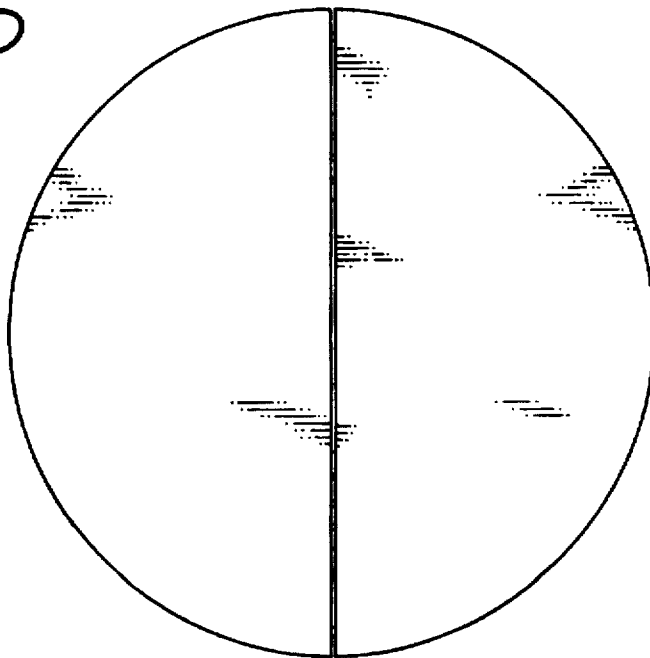


FIG. 7

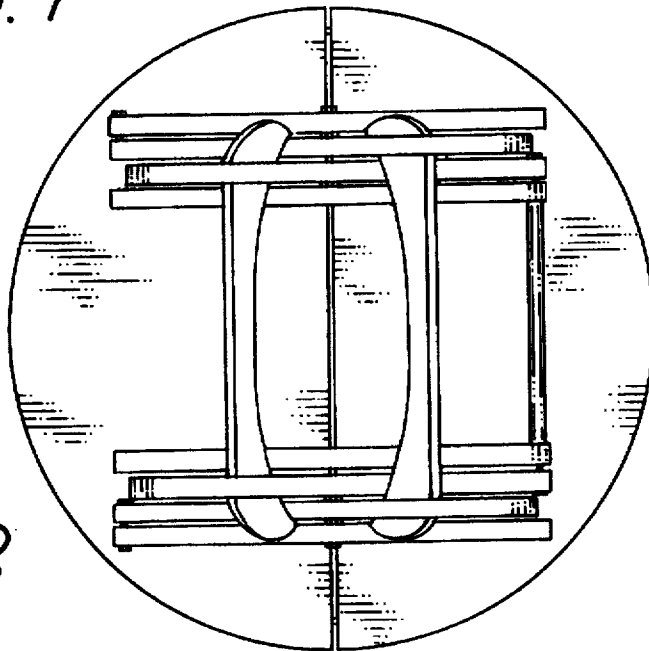


FIG. 8

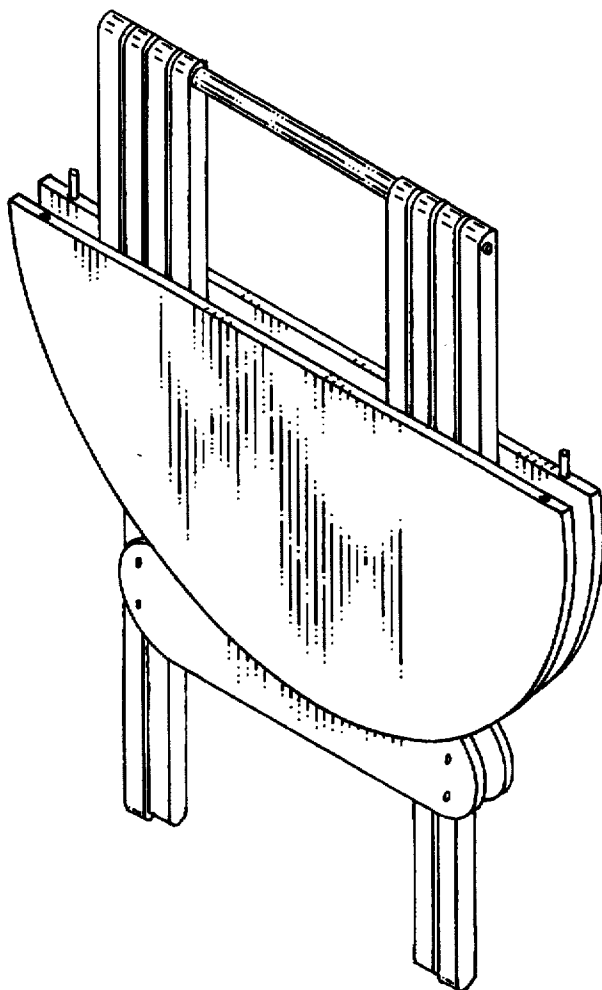


FIG. 9

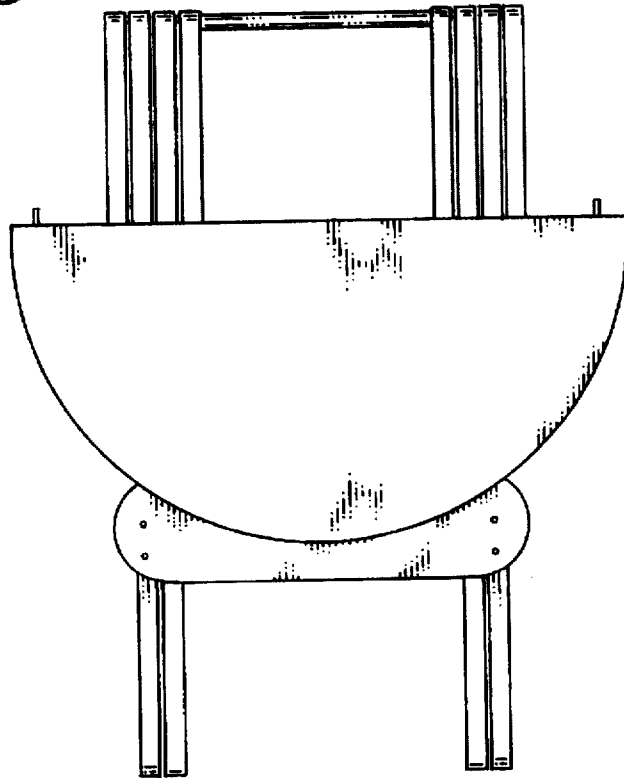


FIG. 10

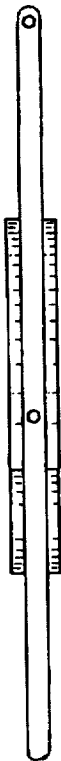


FIG. 11

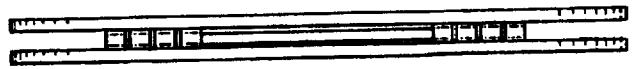


FIG. 12

