



US00D771619S

(12) **United States Design Patent** (10) **Patent No.:** **US D771,619 S**
Akana et al. (45) **Date of Patent:** **** Nov. 15, 2016**

(54) **ELECTRONIC DEVICE**

(71) Applicant: **Apple Inc.**, Cupertino, CA (US)
(72) Inventors: **Jody Akana**, San Francisco, CA (US); **Bartley K. Andre**, Palo Alto, CA (US); **Jeremy Bataillou**, San Francisco, CA (US); **Daniel Coster**, San Francisco, CA (US); **Daniele De Iulius**, San Francisco, CA (US); **M. Evans Hankey**, San Francisco, CA (US); **Richard P. Howarth**, San Francisco, CA (US); **Jonathan P. Ive**, San Francisco, CA (US); **Steven P. Jobs**, Palo Alto, CA (US); **Duncan Robert Kerr**, San Francisco, CA (US); **Shin Nishibori**, Kailua, HI (US); **Matthew Dean Rohrbach**, San Francisco, CA (US); **Peter Russell-Clarke**, San Francisco, CA (US); **Christopher J. Stringer**, Woodside, CA (US); **Eugene Antony Whang**, San Francisco, CA (US); **Rico Zörkendörfer**, San Francisco, CA (US)

(73) Assignee: **Apple Inc.**, Cupertino, CA (US)

(**) Term: **14 Years**

(21) Appl. No.: **29/472,153**

(22) Filed: **Nov. 8, 2013**

Related U.S. Application Data

(63) Continuation of application No. 29/432,298, filed on Sep. 14, 2012, now Pat. No. Des. 693,341, which is a continuation of application No. 29/398,611, filed on Aug. 2, 2011, now Pat. No. Des. 673,148, which is a continuation of application No. 29/367,997, filed on Aug. 16, 2010, now Pat. No. Des. 642,563.

(51) **LOC (10) Cl.** **14-02**

(52) **U.S. Cl.**
USPC **D14/341**

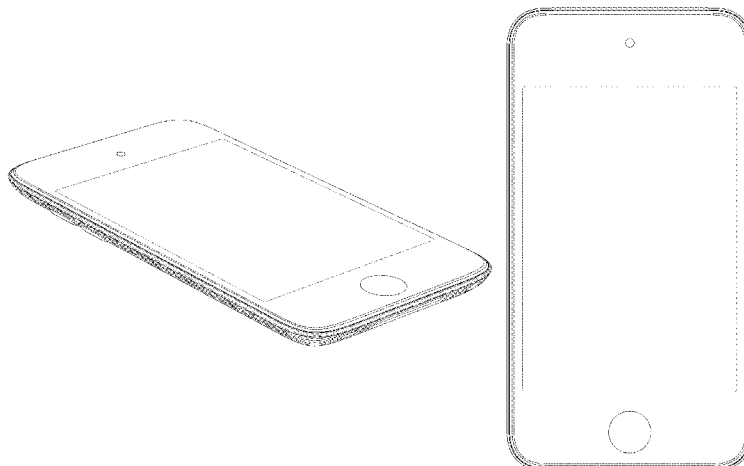
(58) **Field of Classification Search**

USPC D14/341-347, 137, 138 R, 138 AA, D14/138 C, 138 G, 496, 203.1, 203.3, 203.4, D14/203.7, 129, 130, 147, 218, 247, 250, D14/374, 371, 385, 388, 389, 315-318, 420, D14/426, 439; D6/308, 310; D10/65, 104.1; D19/26, 59, 60; D21/324, 329, 330, D21/332; 248/917-924; 463/37; 455/556.1, 455/556.2, 566, 575.1, 90.3; 379/433.04, 379/433.01, 433.06, 916; 345/173, 901, 345/905; 348/376; 361/697.21, 679.26, 361/679.27, 679.3, 679.55, 679.56, 679.59
CPC H04M 1/0202; H04M 1/0279; H04M 1/0281; H04M 1/0283; H04M 1/0214; H04M 1/72544; H04M 1/72552; G06F 1/1613; G06F 1/1624; G06F 1/1626; G06F 1/165; G06F 3/0485; G06F 3/0488
See application file for complete search history.

(56) **References Cited**

U.S. PATENT DOCUMENTS

D30,379 S	1/1899	Sametz
2,424,630 A	7/1947	Perez
2,968,176 A	1/1961	Collings
D262,151 S	12/1981	Sussman
D265,326 S	7/1982	Sugiyama
D270,061 S	8/1983	Ackeret
D270,062 S	8/1983	Ackeret
D270,063 S	8/1983	Ackeret
D270,066 S	8/1983	Ackeret
D278,276 S	4/1985	Bakic
D284,084 S	6/1986	Ferrara, Jr.
D289,873 S	5/1987	Gemmell et al.
D304,448 S	11/1989	De La Cruz et al.
D306,583 S	3/1990	Krolopp et al.
D308,055 S	5/1990	Tedham et al.
D317,609 S	6/1991	Wei
D321,215 S	10/1991	Shamis
D332,328 S	1/1993	Lombardi, Jr.
D333,574 S	3/1993	Ackeret
D337,322 S	7/1993	Yang
D337,569 S	7/1993	Kando
D340,701 S	10/1993	Takeuchi
D340,917 S	11/1993	Sakaguchi et al.
D345,346 S	3/1994	Alfonso et al.
D346,589 S	5/1994	Andros
D346,793 S	5/1994	Iino et al.



US D771,619 S

Page 2

5,345,543 A	9/1994	Capps et al.	D520,020 S	5/2006	Senda et al.
5,398,310 A	3/1995	Tchao et al.	D521,023 S	5/2006	Kim et al.
D361,552 S	8/1995	Iino	7,042,712 B2	5/2006	Ghosh et al.
5,463,725 A	10/1995	Henckel et al.	D524,809 S	7/2006	Alcouloumre et al.
5,495,566 A	2/1996	Kwatinetz	D525,226 S	7/2006	Jang
D395,639 S	6/1998	Ham et al.	D525,620 S	7/2006	Esslinger et al.
D396,215 S	7/1998	Inukai	D525,987 S	8/2006	Kim
D396,452 S	7/1998	Naruki	D526,301 S	8/2006	Shin
D408,372 S	4/1999	Ota et al.	D526,302 S	8/2006	Kim
D408,794 S	4/1999	Ogasawara	D527,015 S	8/2006	Yang
D409,185 S	5/1999	Kawashima	D527,366 S	8/2006	Lee
D410,440 S	6/1999	Carnell	D528,542 S	9/2006	Luminosu et al.
D420,354 S	2/2000	Morales	D528,561 S	9/2006	Ka-Wei et al.
D424,535 S	5/2000	Peltola	D529,045 S	9/2006	Shin
D425,887 S	5/2000	Edwards et al.	D530,699 S	10/2006	Lee et al.
6,061,063 A	5/2000	Wagner et al.	D531,610 S	11/2006	Kim et al.
6,067,068 A	5/2000	Hussain	D532,766 S	11/2006	Lee
D444,465 S	7/2001	Do	D532,791 S	11/2006	Kim
D448,764 S	10/2001	Marsalka et al.	D533,531 S	12/2006	Hyun et al.
6,310,610 B1	10/2001	Beaton et al.	D534,143 S	12/2006	Lheem
D451,505 S	12/2001	Iseki et al.	D534,145 S	12/2006	Lheem
D452,687 S	1/2002	Yeh	D534,516 S	1/2007	Lheem
6,337,698 B1	1/2002	Keely, Jr. et al.	D534,517 S	1/2007	Cho et al.
D453,333 S	2/2002	Chen	D535,281 S	1/2007	Yang
D454,348 S	3/2002	Yeh	D536,329 S	2/2007	Lee
D454,868 S	3/2002	Vuolteenaho et al.	D536,691 S	2/2007	Park
D455,433 S	4/2002	Alviar et al.	D536,962 S	2/2007	Tanner
D456,023 S	4/2002	Andre et al.	D538,822 S	3/2007	Andre et al.
D456,805 S	5/2002	Ono et al.	D541,298 S	4/2007	Andre et al.
D458,252 S	6/2002	Palm et al.	D541,299 S	4/2007	Andre et al.
D461,802 S	8/2002	Tu	D541,785 S	5/2007	Hwang et al.
D466,501 S	12/2002	Hirota	D543,183 S	5/2007	Cho et al.
D467,890 S	12/2002	Lai et al.	7,236,357 B2	6/2007	Chen
6,501,967 B1	12/2002	Mäkelä et al.	D546,313 S	7/2007	Lheem
D469,413 S	1/2003	To et al.	D548,713 S	8/2007	Lee et al.
6,509,907 B1	1/2003	Kuwabara	D548,732 S	8/2007	Cebe et al.
D483,032 S	12/2003	Bertrand et al.	D548,747 S	8/2007	Andre et al.
D483,359 S	12/2003	Lin et al.	D548,796 S	8/2007	Sachnoff
D485,265 S	1/2004	Sato et al.	D551,718 S	9/2007	Diller
D486,149 S	2/2004	Kawami et al.	D554,098 S	10/2007	Lee
6,690,387 B2	2/2004	Zimmerman et al.	D556,211 S	11/2007	Howard
D488,468 S	4/2004	Hu	D556,681 S	12/2007	Kim
D488,469 S	4/2004	Batsikas	D557,238 S	12/2007	Kim
D489,062 S	4/2004	Hong	D557,239 S	12/2007	Lee
D489,071 S	4/2004	Nishioka et al.	D557,243 S	12/2007	Kim et al.
D489,072 S	4/2004	Nishioka et al.	D557,259 S	12/2007	Hirsch
D489,073 S	4/2004	Nishioka et al.	7,303,424 B2	12/2007	Tu et al.
D489,074 S	4/2004	Nishioka et al.	D558,460 S	1/2008	Yu et al.
D489,731 S	5/2004	Huang	D558,716 S	1/2008	Bae et al.
D490,810 S	6/2004	Huang	D558,726 S	1/2008	Wang et al.
D491,156 S	6/2004	Kawakami et al.	D558,756 S	1/2008	Andre et al.
D492,684 S	7/2004	Ozolins et al.	D558,757 S	1/2008	Andre et al.
D494,188 S	8/2004	Huang	D558,758 S	1/2008	Andre et al.
D494,979 S	8/2004	Su et al.	D558,792 S	1/2008	Chigira
D495,695 S	9/2004	Yugaya	D559,220 S	1/2008	Lee et al.
D496,645 S	9/2004	Yoo et al.	D560,192 S	1/2008	Lee et al.
6,788,527 B2	9/2004	Doczy et al.	D560,227 S	1/2008	Bennett et al.
D497,364 S	10/2004	Ozolins et al.	D560,683 S	1/2008	Lee
D498,754 S	11/2004	Blyth	D560,686 S	1/2008	Kim
D499,423 S	12/2004	Bahroocha et al.	D561,153 S	2/2008	Hong et al.
D500,037 S	12/2004	Ozolins et al.	D561,204 S	2/2008	Toh
D502,173 S	2/2005	Jung et al.	D561,782 S	2/2008	Kim
D502,945 S	3/2005	Huang et al.	D562,285 S	2/2008	Lim
D503,699 S	4/2005	Lee et al.	D562,794 S	2/2008	Kim et al.
D504,889 S	5/2005	Andre et al.	D563,432 S	3/2008	Kim
D505,950 S	6/2005	Summit et al.	D563,929 S	3/2008	Park
D507,003 S	7/2005	Pai et al.	D565,532 S	4/2008	Arnold
D509,202 S	9/2005	Lee et al.	D565,596 S	4/2008	Kim
D509,760 S	9/2005	Burrell et al.	D565,599 S	4/2008	Jang et al.
D509,833 S	9/2005	Yang	D568,309 S	5/2008	Cebe et al.
D510,929 S	10/2005	Laverick et al.	D569,830 S	5/2008	Kwak
D511,342 S	11/2005	Chien	D570,320 S	6/2008	Lee et al.
D511,347 S	11/2005	Naruki	D570,346 S	6/2008	Suk et al.
D514,121 S	1/2006	Johnson	D570,839 S	6/2008	Hofer et al.
D514,558 S	2/2006	Nagel et al.	D573,143 S	7/2008	Park et al.
D514,590 S	2/2006	Naruki	D574,015 S	7/2008	Masui
D519,116 S	4/2006	Tanaka et al.	D574,819 S	8/2008	Andre et al.
D519,523 S	4/2006	Chiu et al.	D575,259 S	8/2008	Kim et al.
D519,998 S	5/2006	Park	7,409,059 B2	8/2008	Fujisawa

US D771,619 S

D579,905 S	11/2008	Kim et al.	D634,725 S	3/2011	Ewing, Jr. et al.
D579,930 S	11/2008	Maskatia	D634,742 S	3/2011	Andre et al.
D580,387 S	11/2008	Andre et al.	D635,540 S	4/2011	Kim et al.
D581,922 S	12/2008	Andre et al.	D635,952 S	4/2011	Park et al.
D583,346 S	12/2008	Jung et al.	D635,972 S *	4/2011	Miyazawa et al. D14/341
D584,738 S	1/2009	Kim et al.	D636,390 S	4/2011	Andre et al.
D585,411 S	1/2009	Eaton	D636,392 S	4/2011	Akana et al.
D586,800 S	2/2009	Andre et al.	D636,770 S	4/2011	Li
D589,979 S	4/2009	Andre et al.	7,924,231 B2	4/2011	Hill et al.
D591,736 S	5/2009	Wozniak	7,933,123 B2	4/2011	Wang et al.
D591,740 S	5/2009	Luke et al.	D637,596 S	5/2011	Akana et al.
D593,087 S	5/2009	Andre et al.	D638,814 S	5/2011	Sutherland et al.
D597,067 S	7/2009	Oh et al.	D638,815 S	5/2011	Lee et al.
D599,342 S	9/2009	Andre et al.	D638,835 S	5/2011	Akana et al.
D599,736 S	9/2009	Ferber et al.	D639,261 S	6/2011	Garnham et al.
D600,241 S	9/2009	Andre et al.	D639,266 S	6/2011	DeLorenzo et al.
D600,690 S	9/2009	Miyaji	D639,763 S	6/2011	Kim et al.
D601,558 S	10/2009	Andre et al.	D639,805 S	6/2011	Song et al.
D601,583 S	10/2009	Andre et al.	D640,218 S	6/2011	Ahn et al.
D602,014 S	10/2009	Andre et al.	D640,219 S	6/2011	Sutherland et al.
D602,015 S	10/2009	Andre et al.	D640,578 S	6/2011	Aihara et al.
D602,016 S	10/2009	Andre et al.	D640,661 S	6/2011	Hu et al.
D602,017 S	10/2009	Andre et al.	D640,663 S	6/2011	Arnholt et al.
D602,486 S	10/2009	Andre et al.	D641,017 S	7/2011	Meng
D602,488 S	10/2009	Jiang et al.	D641,018 S	7/2011	Lee et al.
D604,297 S	11/2009	Andre et al.	D641,359 S	7/2011	Ferrari et al.
D604,716 S	11/2009	Oh et al.	D642,151 S	7/2011	Chun et al.
7,612,997 B1	11/2009	Diebel et al.	D642,563 S	8/2011	Akana et al.
D605,164 S	12/2009	Li et al.	D643,827 S	8/2011	Lee et al.
D606,129 S	12/2009	Ben-Moshe	D644,194 S	8/2011	Joung et al.
D607,428 S	1/2010	Kim et al.	D644,218 S	8/2011	Akana et al.
D609,226 S	2/2010	Hofer et al.	D645,015 S	9/2011	Lee et al.
7,658,675 B2	2/2010	Hotta	D645,017 S	9/2011	Kim et al.
7,660,560 B2	2/2010	Zuo et al.	D645,441 S	9/2011	Choe et al.
D611,469 S	3/2010	Andre et al.	D645,465 S	9/2011	Lin et al.
7,688,574 B2	3/2010	Zadesky et al.	D645,833 S	9/2011	Seflic et al.
D613,735 S	4/2010	Andre et al.	D646,253 S	10/2011	Kim et al.
D613,736 S	4/2010	Andre et al.	D646,255 S	10/2011	Kim
7,697,281 B2	4/2010	Dabov et al.	D646,266 S	10/2011	Kim et al.
D615,083 S	5/2010	Andre et al.	D647,106 S	10/2011	Akana et al.
D615,945 S	5/2010	Kim et al.	D647,882 S	11/2011	Kim et al.
D616,875 S	6/2010	Oh et al.	D648,303 S	11/2011	Park et al.
D617,792 S	6/2010	Andre et al.	D648,704 S	11/2011	Hofer et al.
D618,204 S	6/2010	Andre et al.	D649,150 S	11/2011	Takahashi et al.
D618,677 S	6/2010	Andre et al.	D649,526 S	11/2011	Hu
D618,678 S	6/2010	Andre et al.	8,081,886 B2	12/2011	Okano
D619,361 S	7/2010	Andre et al.	D652,814 S	1/2012	Choi et al.
D620,004 S	7/2010	Andre et al.	8,102,319 B2	1/2012	Schlub et al.
D621,807 S	8/2010	Stone	8,106,836 B2	1/2012	Hill et al.
D621,825 S	8/2010	Andre et al.	D653,640 S	2/2012	Kwon et al.
D622,270 S	8/2010	Andre et al.	D653,642 S	2/2012	Han
D622,716 S	8/2010	Andre et al.	D654,461 S	2/2012	Kim et al.
D622,718 S	8/2010	Andre et al.	8,116,073 B2	2/2012	Hung et al.
D622,719 S	8/2010	Andre et al.	D656,918 S	4/2012	Kim et al.
D622,720 S	8/2010	Andre et al.	D657,764 S	4/2012	Hong
D623,183 S	9/2010	Hong et al.	D657,782 S	4/2012	Biller
D624,072 S	9/2010	Andre et al.	D658,147 S	4/2012	Yoon
D624,536 S	9/2010	Andre et al.	D658,148 S	4/2012	Park
D624,896 S	10/2010	Park et al.	D658,620 S	5/2012	Lylyk
D625,303 S	10/2010	Kim	D658,621 S	5/2012	Lylyk
D625,307 S	10/2010	Cheng	D661,707 S	6/2012	Akana et al.
D626,937 S	11/2010	Yeo et al.	D662,092 S	6/2012	Bau
D627,343 S	11/2010	Andre et al.	D662,484 S	6/2012	Sunderland
D627,344 S	11/2010	Chien et al.	D662,489 S	6/2012	Yeo
D627,777 S	11/2010	Akana et al.	D662,503 S	6/2012	Akana et al.
D627,778 S	11/2010	Akana et al.	D662,992 S	7/2012	Akana et al.
D629,772 S	12/2010	Mo et al.	D663,278 S	7/2012	Kim et al.
D629,799 S	12/2010	Andre et al.	D663,287 S	7/2012	Kim et al.
D630,630 S	1/2011	Andre et al.	8,250,724 B2	8/2012	Dabov et al.
7,869,206 B2	1/2011	Dabov et al.	D667,399 S	9/2012	Koh
7,876,274 B2	1/2011	Hobson et al.	D668,627 S	10/2012	Chung
D633,090 S	2/2011	Andre et al.	D668,652 S	10/2012	Kim et al.
D633,091 S	2/2011	Andre et al.	D669,444 S	10/2012	Shin et al.
D633,092 S	2/2011	Andre et al.	D669,448 S	10/2012	Hong
7,889,139 B2	2/2011	Hobson et al.	D669,468 S	10/2012	Akana et al.
D633,460 S	3/2011	Yi et al.	D670,295 S	11/2012	Prescott et al.
D633,493 S	3/2011	Akana et al.	D670,692 S	11/2012	Akana et al.
D633,908 S	3/2011	Akana et al.	D670,702 S	11/2012	Akana et al.
D634,319 S	3/2011	Andre et al.	D671,947 S	12/2012	Akana et al.

US D771,619 S

D672,343 S	12/2012	Akana et al.		2012/0002352 A1	1/2012	Hsiung
D673,148 S *	12/2012	Akana et al.	D14/341	2012/0044123 A1	2/2012	Rothkopf et al.
D673,947 S *	1/2013	Andre et al.	D14/341	2012/0050988 A1	3/2012	Rothkopf et al.
D673,948 S	1/2013	Andre et al.		2012/0051025 A1	3/2012	Joh et al.
D673,949 S *	1/2013	Andre et al.	D14/341	2012/0073115 A1	3/2012	Filson et al.
D674,383 S	1/2013	Andre et al.		2012/0087066 A1	4/2012	Leggett
D675,202 S	1/2013	Andre et al.		2012/0092812 A1	4/2012	Lewis et al.
D675,586 S	2/2013	Choi		2012/0097412 A1	4/2012	Wennemer et al.
D675,588 S	2/2013	Park				
D675,612 S	2/2013	Andre et al.				
D676,403 S	2/2013	Sung				
D676,459 S	2/2013	Hofer et al.				
D677,657 S	3/2013	Akana et al.		AU	315078	7/2007
D681,032 S *	4/2013	Akana et al.	D14/341	CA	72548	5/1993
D681,632 S *	5/2013	Akana et al.	D14/341	CA	101263	1/2004
D684,571 S *	6/2013	Akana et al.	D14/341	CN	300721990	12/2007
D686,625 S *	7/2013	Akana et al.	D14/439	CN	300732852	1/2008
8,526,180 B2 *	9/2013	Rayner	361/679.55	CN	300732857	1/2008
D691,133 S *	10/2013	Akana et al.	D14/341	CN	300781645	5/2008
D692,879 S *	11/2013	Andre et al.	D14/341	CN	300912552	4/2009
D692,881 S *	11/2013	Akana et al.	D14/341	CN	300912572	4/2009
D693,341 S *	11/2013	Akana et al.	D14/341	CN	300881212	12/2009
D697,511 S	1/2014	Andre et al.		EM	000048061-0001	8/2003
D698,352 S	1/2014	Andre et al.		EM	000046198-0001	11/2003
D698,782 S *	2/2014	Hong	D14/341	EM	000317490-0001	5/2005
D702,680 S *	4/2014	Andre et al.	D14/341	EM	000257621-0004	7/2005
D705,779 S *	5/2014	Akana et al.	D14/341	EM	000375191-0001	9/2005
D724,078 S *	3/2015	Andre et al.	D14/341	EM	000493721-0002	5/2006
D731,481 S *	6/2015	Akana et al.	D14/341	EM	000569157-0005	9/2006
2003/0125079 A1	7/2003	Park et al.		EM	000569157-0007	9/2006
2003/0125094 A1	7/2003	Hyun et al.		EM	000590831-0001	10/2006
2003/0125959 A1	7/2003	Palmquist et al.		EM	000614565-0001	12/2006
2003/0184525 A1	10/2003	Tsai		EM	000661103-0001	2/2007
2004/0021676 A1	2/2004	Chen et al.		EM	00066789-0001	3/2007
2004/0041504 A1	3/2004	Ozolins et al.		EM	000718770-0007	6/2007
2004/0132499 A1	7/2004	Abe		EM	000748280-0001	8/2007
2004/0155888 A1	8/2004	Padgitt et al.		EM	000748280-0006	8/2007
2004/0166907 A1	8/2004	Yajima		EM	000767959-0001	8/2007
2004/0223004 A1	11/2004	Lincke et al.		EM	000748314-0001	10/2007
2004/0242288 A1	12/2004	Balle et al.		EM	000874466-0012	3/2008
2004/0257334 A1	12/2004	Yajima		EM	000888920-0018	5/2008
2005/0009556 A1	1/2005	Hickey et al.		EM	000939731-0001	6/2008
2005/0012723 A1	1/2005	Pallakoff		EM	001098149-0001	4/2009
2005/0014538 A1	1/2005	Hyun et al.		EM	D1383724	3/2010
2005/0041385 A1	2/2005	Kikinis et al.		EM	001694712-0001	4/2010
2005/0059438 A1	3/2005	Jellicoe		ES	D0505712-01	4/2008
2005/0088418 A1	4/2005	Nguyen		FI	4897	7/1980
2005/0127158 A1	6/2005	Figueras et al.		FR	990052-001	5/1999
2005/0130715 A1	6/2005	Fujisawa		GB	2062780	5/1981
2005/0195154 A1	9/2005	Robbins et al.		GB	1042780	12/1986
2005/0255897 A1	11/2005	Lee et al.		GB	2030050	10/1992
2006/0025184 A1	2/2006	Cho et al.		GB	2033245	8/1993
2006/0025218 A1	2/2006	Hotta		GB	3010002	2/2003
2006/0094464 A1	5/2006	Kyou et al.		GB	3012502	6/2003
2006/0111158 A1	5/2006	Hou		GB	3014024	10/2003
2006/0111161 A1	5/2006	Cha et al.		GB	3022447	10/2005
2006/0121852 A1	6/2006	Kim et al.		JP	61-69284	4/1986
2006/0142073 A1	6/2006	Gordecki		JP	64-9317	1/1989
2006/0160411 A1	7/2006	Lai et al.		JP	000921403	3/1995
2006/0166713 A1	7/2006	Yeh et al.		JP	001009317	5/1998
2006/0281501 A1	12/2006	Zuo et al.		JP	2000-163031	6/2000
2007/0082718 A1	4/2007	Yoon et al.		JP	001104685	3/2001
2008/0004083 A1	1/2008	Ohki et al.		JP	D1124750	10/2001
2008/0004085 A1	1/2008	Jung et al.		JP	001142127	5/2002
2008/0316121 A1	12/2008	Hobson et al.		JP	D1159881	12/2002
2009/0067141 A1	3/2009	Dabov et al.		JP	D1178470	7/2003
2009/0245564 A1	10/2009	Mittleman et al.		JP	001188041	10/2003
2009/0245565 A1	10/2009	Mittleman et al.		JP	D1204221	5/2004
2009/0247244 A1	10/2009	Mittleman et al.		JP	2004-290256	10/2004
2010/0146766 A1	6/2010	Dabov et al.		JP	001235888	4/2005
2010/0277877 A1	11/2010	Dinh et al.		JP	001241638	6/2005
2010/0289390 A1	11/2010	Kenney		JP	D1241383	6/2005
2011/0151945 A1	6/2011	Jiang et al.		JP	D1247215	8/2005
2011/0164365 A1	7/2011	McClure et al.		JP	D1250487	9/2005
2011/0164370 A1	7/2011	McClure et al.		JP	D1263649	2/2006
2011/0188179 A1	8/2011	Myers et al.		JP	001280315	9/2006
2011/0246486 A1	10/2011	Ho et al.		JP	D1285057	10/2006
2011/0255218 A1	10/2011	Pakula et al.		JP	D1295003	2/2007
2011/0299231 A1	12/2011	Gaddis, II et al.		JP	D1207560	6/2007
				JP	D1302929	6/2007

FOREIGN PATENT DOCUMENTS

JP	D1360837	6/2009
JP	D138724	3/2010
KR	30-0327126	6/2003
KR	30-0359572	8/2004
KR	30-0360712	9/2004
KR	30-0364027	10/2004
KR	30-0364845	10/2004
KR	30-0367347	11/2004
KR	30-0367787	11/2004
KR	30-0370833	1/2005
KR	30-0376524	3/2005
KR	30-0387059-3	7/2005
KR	30-0387130	7/2005
KR	30-0387648	7/2005
KR	30-0396917	11/2005
KR	30-0398307	11/2005
KR	30-0394921-1	12/2005
KR	30-0416409	6/2006
KR	30-0418422-1	7/2006
KR	30-0418547	7/2006
KR	30-0420200	7/2006
KR	30-0422221	8/2006
KR	30-0424148	9/2006
KR	30-0435318	1/2007
KR	30-0441230	2/2007
KR	30-0452432	6/2007
KR	30-0454592	7/2007
KR	30-0452985	8/2007
KR	30-0467088	10/2007
KR	30-0721986	12/2007
KR	30-0529167	5/2009
KR	30-0532172	6/2009
KR	30-0533504	7/2009
KR	30-0546031	11/2009
SE	55044	10/1993
TW	D106137	8/2005
TW	D123283	6/2008
TW	D126454	12/2008
TW	D127018	1/2009
TW	D136926	9/2010
TW	D139283	3/2011
TW	D139834	4/2011
TW	D140380	5/2011
TW	D140385	5/2011
WO	WO 00/74240	7/2000
WO	WO 01/88679 A2	11/2001
WO	WO 2004/023272	3/2004

OTHER PUBLICATIONS

Amazon, "Developing Tablet PC Applications—(Charles River Media Programming)," (<http://www.amazon.co.uk/Developing-Tablet-Applications-Charles-Programming/dp/1584502525>),

retrieved Jul. 20, 2011, 4 pages.

Association for Computing Machinery, The Open Video Project, "ACM CHI 1995—The Tablet Newspaper: A vision for the Future." (<http://www.open-video.org/details.php?videoid=8315&surrogate=storyboard>), 3 pages. (1994).

Aumente, J., American Journalism Review, "Panel Vision," (<http://www.ajr.org/Article.asp?id=1257>), published Oct. 1994, 7 pages.

Blickenstorfer, C., PenComputing Magazine, "Tablet PCs: HP Compaq Tablet PC TC1000," (http://pencomputing.com/frames/tpc_compaq.html), 3 pages (Dec. 2002).

Blickenstorfer, C., PenComputing Magazine, "Tablet PCs: Motion Computing M1200," (http://pencomputing.com/frames/tpc_motion1200.html), 3 pages (Dec. 2002).

Blickenstorfer, C., PenComputing Magazine, "Tablet PCs: ViewSonic V1100," (http://pencomputing.com/frames/tpc_viewsonic.html), 3 pages (Dec. 2002).

Chi-athenaem, "Good Design 2003, An International Industrial and Graphic Design Competition," (<http://www.chi-athenaem.org/gdesign/winners03.htm>), retrieved Sep. 23, 2011, 7 pages.

Computing History, "GRiDpad 1910," (<http://computinghistory.org.uk/dct/6565/GRiDpad-1910>), retrieved Sep. 12, 2011, 2 pages.

DigiBarn Systems, "GRiDpad Pen Computer," (<http://www.digibarn.com/collections/systems/gridpad/index.html>), retrieved Sep. 23, 2011, 2 pages.

Edible Apple, "The first Apple Tablet... from 1979," (<http://www.edibleapple.com/the-first-apple-tablet-from-1979/>), published Nov. 23, 2009, 8 pages.

Electronista, "LG/Prada phone revealed?," (<http://www.electronista.com/articles/06/12/20/lg.prada.phone.revealed/>), updated Dec. 20, 2006, 9 pages.

EngineerBoy, CleverDonkey.com, "2001:A Space Odyssey and the iPad (or is it tamPod?)," (<http://www.cleverdonkey.com/1499-2001a-space-odyssey-and-the-ipad-or-is-it-tampod/>), published Feb. 2, 2010, 5 pages.

Hagen, R., GadgetZone, "iHolic portable mediaspeler," (<http://www.gadgetzone.nl/nieuws.php?id=3191>), published Jan. 4, 2007, 3 pages.

Martin, T., "The Tablet Newspaper: A Vision for the Future," Human Factors in Computing Systems, Chi '95 Conference Companion, pp. 425, Colorado, United States (May 1995).

NewLaunches, "LG Prada cell phones are truly iconic," (http://www.newlaunches.com/archives/lg_prada_cell_phones_are_truly_iconic.php), retrieved Sep. 12, 2011, 3 pages.

NewLaunches, "LG Wears Prada," (http://www.newlaunches.com/archives/lg_wears_prada.php), retrieved Sep. 23, 2011, 2 pages.

PC Magazine, "HP Compaq Tablet PC TC1000," (<http://www.pcmag.com/article2/0,2817%20,939500,00.asp>), published Apr. 8, 2003, 3 pages.

Samsung, "Samsung F700 is razendsnelle alleskunner voor mobiel breedband van Vodafone," (http://www.samsung.com/nl/mobile/pressView.do?ptype=press&page=13&news_seq=22544), published May 25, 2008, 2 pages.

Samsung, "Samsung Unveils Revolutionary Ultra Smart F700," (http://www.samsung.com/us/news/newsRead.do?news_seq=3516), published Nov. 23, 2009, 2 pages.

Van Reeth, J., "Vantage is showing its colours!," *Home automation journal* 11:1-8, Vantage Emea, Belgium (Jun. 2003).

Wikipedia, "Etch A Sketch," (http://en.wikipedia.org/wiki/Etch_a_sketch), last modified Aug. 24, 2011, 4 pages.

Wikipedia, "MessagePad," (<http://en.wikipedia.org/wiki/Messagepad>), retrieved Sep. 12, 2011, 10 pages.

ZDNet, "Viewsonic V1100," (<http://www.zdnet.nl/reviews/24712/viewsonic-v1100/>), published Feb. 17, 2003, 9 pages.

Ziegler, C., Engadget, "The LG KE850: touchable chocolate," (<http://mobile.engadget.com/2006/12/15/the-lg-ke850-touchable-chocolate/>), published Dec. 15, 2006, 5 pages.

FinalSense, "Samsung Ultra Smart F520 Dual Slider Phone," (http://www.finalsense.com/news/it/phone/samsung_f520.htm), published Feb. 2007, 3 pages.

Gizmodo, "Touchscreen iPod Due This November Says Our Secret Source," (<http://gizmodo.com/192158/touchscreen-ipod-due-this-november-says-our-secret-source>), published Aug. 4, 2006, 2 pages.

Gizmodo, "Bluebird Pidion BM-200 Packed with Acronyms and Other Impressive Features," (<http://gizmodo.com/143554/bluebird-pidion-bm+200-packed-with-acronyms-and-other-impressive-features>), published Dec. 15, 2005, 2 pages.

infoSync, "Preview: LG PM70," (<http://infosyncworld.com/news/n/5869.html>), published Mar. 15, 2005, 2 pages.

Melanson, D., Engadget, "Meizu M8 / miniOne closer to production, litigation," (<http://www.engadget.com/2007/02/13/meizu-m8-minione-closer-to-production-litigation/>), published Feb. 13, 2007, 3 pages.

Samsung, "Samsung Galaxy S," (<http://www.samsung.com/au/smartphone/galaxys/>), product released Jun. 2010, 2 pages.

SoftBank, "SoftBank 825SH," (<http://mb.softbank.jp/en/products/sharp/825sh.html>), product released Jul. 2008, 3 pages.

Svartlinks, Blogspot, "Samsung F700, F520, F510, F500 and F300 Ultra Smart—Smartphones," (<http://svartlinks.blogspot.com/2007/02/samsung-f700-f520-f510-f500-and-f300.html>), published Feb. 13, 2007, 10 pages.

Vasile, C., Softpedia, "MobilePen: An Expensive but Helpful Touchscreen," (<http://news.softpedia.com/news/MobilePen-An-Expensive-But-Helpful-Touchscreen16192.shtml>), published Jan. 12, 2006, 2 pages.

- "A Day in the Life of InfoLink," Stanford University Libraries, published May 1, 2003.
- "The Oracle: The Personal Computer of the Year 2000," Stanford University Libraries.
- "The Organizer: The Personal Computer of the Year 2000," Stanford University Libraries.
- "Toshiba Dynapad T100X Pen Computer," product available in 1993, 2 pages.
- ABDI, "Five 1 GB Flash MP3 Players," Tomsguide.com, (<http://www.tomsguide.com/us/five-1gb-flash-mp3-players,review-722-3.html>), published May 30, 2006, 4 pages.
- Aliexpress.com, "Wacom PL-500 15" LCD Tablet Mint," (<http://www.aliexpress.com/product-fm/430172068-WACOM-PL-500-15-LCD-Tablet-Mint-Worldwide-Free-Shipping-wholesalers.html>), accessed Nov. 14, 2011, 3 pages.
- Amazon.com, "Digitalway MPIO FL100 128 MB MP3 Player" (<http://www.amazon.com/Digitalway-MPIO-FL100-128-Player/dp/B00008V6NI>), accessed Nov. 17, 2011, 7 pages.
- Amazon.com, "Whirlpool Gold : GH7208XRS 2.0 cu. ft. Velos Speedcook Over the Range Microwave Oven," (<http://www.amazon.com/Whirlpool-Gold-GH7208XRS-Speedcook-Microwave/dp/B000ZIPH8>), accessed May 23, 2012, 5 pages.
- AndroidTabletFanatic.com "16 Old-Skool Tablets Rocking it Before the iPad," (<http://www.androidtabletfanatic.com/android-tablet-news/16-old-skool-tablets-rocking-it-before-the-ipad/>), published May 16, 2011, 10 pages.
- Apple Inc., "Apple Introduces the U2 iPod," (<http://www.apple.com/pr/library/2004/10/26Apple-Introduces-the-U2-iPod.html>), published Oct. 26, 2004, 2 pages.
- Blandford, "Nokia N92 Preview," (http://www.allaboutsymbian.com/features/item/Nokia_N92_Preview.php), published Nov. 23, 2005, 10 pages.
- Block, "Olympus @ CES Hands-on with the m:robe MR-500i and MR-100," Engadget.com, (<http://www.engadget.com/2005/01/10/olympus-ces-hands-on-with-them-robe-mr-500i-and-mr-100>), published January 10, 2005, 3 pages.
- Cell Phones.About.com, "More pictures of the LG KG800," (http://cellphones.about.com/library/bl-pi-lg_kg800.htm), accessed Feb. 13, 2012, 1 page.
- Chip Online, "VIA: Zwitter-PC für Schöngeister," (http://www.chip.de/news/VIA-Zwitter-PC-fuer-Schoengeister_34204096.html), Published May 8, 2002, 2 pages.
- Clarke, "Newspad by Authur C. Clarke from 2001: A Space Odyssey," (<http://www.technovelgy.com/ct/content.asp?Bnum=529>), published 1968, 3 pages.
- Computex.biz, "Tatung Tablet PC," (http://www.computex.biz/tatung/Default.aspx?pagetype=ProductDetail&pdt_id=36&cid=3...), accessed Nov. 4, 2011, 3 pages.
- dcinside.com, "iHolic HTV-200" (<http://dica.dcinside.com/review.php?pid=7192>), retrieved Sep. 22, 2011, 16 pages.
- Dial-a-Phone.co.uk, "Samsung F700 beats the iPhone!" (<http://blog.dialaphone.co.uk/2007/02/16/samsung-f700-beats-the-iphone/>), published Feb. 16, 2007, 38 pages.
- eFashion Magazine, vol. 119, p. 45, China (Jun. 1, 2005).
- eFashion Magazine, vol. 12, p. 60, China (2004).
- eFashion Magazine, vol. 172, p. 26, China (Apr. 2006).
- Flickr.com, "Apple Graphics Tablet" (http://farm3.static.flickr.com/2691/4126733086_b24c987b0e_o.jpg), accessed Nov. 15, 2011, 1 page.
- Fried, "Live-blogging Steve Ballmer," CNET, (http://www.cnet.com/8301-31045_1-10426723-269.html?tag=mncol%3btxt), published Jan. 6, 2010, 6 pages.
- GSMarena.com, "Apple iPhone," (http://www.gsmarena.com/apple_iphone-1827.php), accessed Mar. 12, 2007, 3 pages.
- GSMarena.com, "LG KE850 Prada," (http://www.gsmarena.com/lg_ke850_prada-1828.php), accessed Feb. 20, 2007, 4 pages.
- GSMarena.com, "Phillips S900," (http://www.gsmarena.com/phillips_s900-1598.php), accessed Feb. 20, 2007, 2 pages.
- GSMarena.com, "Samsung F700," (http://www.gsmarena.com/samsung_f700-1849.php), accessed Feb. 8, 2007, 2 pages.
- Hilon.com, "LG DMB MP3 FM35" (<http://www.hilon.com.cn/autobak/a88100055479.htm>), accessed Dec. 26, 2008, 18 pages.
- iF Design, "iF product design award 2007," (http://www.ifdesign.de/beitragsdetails_e.html?offset=87&sprache=2&award_id=121&beit...), accessed on Sep. 21, 2011, 1 page.
- iriver.com, "iriver U-10," (www.iriver.com), published 2005, 2 pages.
- Ithusiness.ca, "Microsoft Mira eHome Wireless Smart Display," (http://www.ithusiness.ca/images/articles/Jun10/clip_image003_0087.jpg), accessed Nov. 15, 2011, 1 page.
- iTechNews.net, "Samsung K3 MP3 Player," (<http://www.itechnews.net/2006/12/02/samsung-k3-mp3-player/>), published Dec. 2, 2006, 9 pages.
- Justia, "Apple v. Samsung Electronics Co. Ltd. et al., Filing: 943 Attachment: 5," (<http://docs.justia.com/cases/federal/district-courts/california/candce/5:2011cv01846/239768/943/5.html>), dated May 18, 2012, 3 pages.
- Kauffmann, "Music That Fits In Your Pocket," Tomsguide.com, (<http://www.tomsguide.com/us/music-that-fits-in-your-pocket,review-525-5.html>), published Aug. 25, 2005, 4 pages.
- Knowyourmobile.com, "LG KG800 technical specifications," (http://www.knowyourmobile.com/lg/kg800chocolate/lgkg800reviews/137/lg_kg800_technical_specifications.html), published Mar. 9, 2007, 3 pages.
- Lugmayr, "Sexy iHolic DMB TV PMP," (<http://www.i4u.com/11656/sexy-iholic-dmb-tv-pmp>), published Jan. 3, 2007, 1 page.
- McCracken, "The iPad. Of 2000. As Envisioned in 1988," Technologizer.com, (<http://technologizer.com/2010/05/14/the-ipad-of-2000-as-envisioned-in-1988/>), published May 14, 2010, 12 pages.
- Mel et al., "Tablet: Personal Computer in the Year 2000," *Communications of the ACM* 31:638-646, ACM (Jun. 1988).
- Mobilegazette.com, "Nokia N92," (<http://www.mobilegazette.com/nokia-n92-051102.htm>), published Nov. 2, 2005, 2 pages.
- Mobilewhack.com, "Tinnos PDA," (http://www.mobilewhack.com/reviews/tinnos_pda.html), published May 19, 2006, 1 page.
- Needleman, "Hands-on with the JooJoo," (http://news.cnet.com/8301-19882_3-10410960-250.html), CNET News, published Dec. 7, 2009, 31 pages.
- Newlaunches.com, "Pidion BM-200 sleek Windows CE PDA phone from Bluebird," (http://www.newlaunches.com/archives/pidion_bm200_sleek_windows_ce_pda_phone_from_bluebird.php), published Dec. 15, 2005, 3 pages.
- NYTimes.com, "iRiver U10 (1GB)," (<http://www.nytimes.com/technology/personaltech/music-players/iRiver-U10-1GB/31432102.html>), published Feb. 12, 2012, 2 pages.
- Patel, "The HP Slate" (<http://www.engadget.com/2010/01/06/the-hp-slate/>), Engadget.com, published Jan. 6, 2010, 4 pages.
- PCMag.com, "iriver U10," (<http://www.pcmag.com/article2/0,2817,1901833,00.asp>), published Dec. 14, 2005, 3 pages.
- PDADB.net, "Acer n20 Specs," (<http://pdadb.net/index.php?m=specs&id=257&c=acern20>), published May 13, 2005, 3 pages.
- PDADB.net, "Bluebird Pidion BM-200 Specs," (http://pdadb.net/index.php?m=specs&id=1804&c=bluebird_pidion_bm-200), published Mar. 24, 2008, 3 pages.
- PDADB.net, "Casio Cassiopeia IT-10 M20BR Specs," (http://pdadb.net/index.php?m=specs&id=95&c=casio_cassiopeia_it-10_m20br), published Dec. 30, 2004, 3 pages.
- PDADB.net, "CyberBank POZ X301 Specs," (http://pdadb.net/index.php?m=specs&id=442&c=cyberbank_poz_x301), published Jan. 31, 2006, 3 pages.
- PDADB.net, "Dell Axim X3 Basic Specs," (http://pdadb.net/index.php?m=specs&id=81&c=dell_axim_x3_basic), published Dec. 30, 2004, 3 pages.
- PDADB.net, "Detailed Specifications of O2 XDA Flame," (http://pdadb.net/index.php?m=specs&id=673&view=1&c=O2_xda_flame), accessed May 6, 2011, 3 pages.
- PDADB.net, "Dopod 838 Pro (HTC Hermes 100) Specs," (http://pdadb.net/index.php?m=specs&id=578&c=dopod_838_pro_htc_hermes_100), published Aug. 4, 2005, 3 pages.
- PDADB.net, "Garmin iQue M5 Specs," (http://pdadb.net/index.php?m=specs&id=302&c=garmin_ique_m5), published Jul. 17, 2005, 3 pages.

PDADB.net, "Krome Spy (HTC Magician Refresh) Specs," (http://pdadb.net/index.php?m=specs&id=550&c=krome_spy_htc_magician_refresh), published Jul. 18, 2006, 3 pages.

PDADB.net, "MiTAC Mio 338 Plus Digi-Walker Specs," (http://pdadb.net/index.php?m=specs&id=60&c=mitac_mio_338_plus_digi-walker), published Dec. 25, 2004, 3 pages.

PDADB.net, "O2 XDA (HTC Wallaby) Specs," (http://pdadb.net/index.php?m=specs&id=117&c=o2_xda_htc_wallaby), published Feb. 3, 2005, 3 pages.

PDADB.net, "Palm Z22 Specs," (http://pdadb.net/index.php?m=specs&id=1244&c=palm_z22), published Mar. 13, 2006, 3 pages.

PDADB.net, "PalmOne LifeDrive Specs," (http://pdadb.net/index.php?m=specs&id=1242&c=palmone_lifedrive), published Mar. 12, 2008, 3 pages.

PDADB.net, "Sony Clie PEG-SL10 / PEG-SL10U / PEG-SL10E Specs," (http://pdadb.net/index.php?m=specs&id=1198&c=sony_clie_peg-sl10_peg-sl10u_peg-sl10e), published Mar. 4, 2008, 3 pages.

PDADB.net, "Sony Clie PEG-T665C / PEG-T675C Specs," (http://pdadb.net/index.php?m=specs&id=1192&c=sony_clie_peg-t665c_peg-t675c), published Mar. 4, 2008, 3 pages.

PDADB.net, "Toshiba Genio e330 Specs," (http://pdadb.net/index.php?m=specs&id=29&c=toshiba_genio_e330), published Dec. 9, 2004, 3 pages.

PDADB.net, "Toshiba Genio e570 Specs," (http://pdadb.net/index.php?m=specs&id=229&c=toshiba_genio_e570), published May 4, 2006, 3 pages.

Ricker, "LG's KE850 Prada official: iPhone says, wha?," Engadget.com, (<http://www.engadget.com/2007/01/18/lgs-ke850-prada-official-iphone-says-wha/>), published Jan. 18, 2007, 4 pages.

Ricker, "Meizu's M8? Apple lawyers, start your engines," Engadget.com, (<http://www.engadget.com/2007/01/29/meizus-m8-apple-lawyers-start-your-engines/>), published Jan. 29, 2007, 1 page.

Ricker, "The Pidion BM-200: it's time to move to Seoul," (<http://www.engadget.com/2005/10/04/the-pidion-bm-200-its-time-to-move-to-seoul/>), Engadget.com, published Oct. 4, 2005, 4 pages.

Rojas, "Hands-on with the Nokia N92," Engadget.com, (<http://www.engadget.com/2005/12/01/hands-on-with-the-nokia-n92/>), published Dec. 1, 2005, 4 pages.

S. Dimitris, "Pidion BM200 Smartphone," PDASNews, (www.pdasnews.com/articles/pidion-bm200-smartphone.html), accessed Mar. 7, 2012, 2 pages.

Salestores.com, "LG L1530TM Tablet LCD Monitor," (<http://salestores.com/lgltaledmos.html>), accessed Nov. 17, 2011, 2 pages.

Smith et al., "The Radial Scroll Tool: Scrolling Support for Stylus or Touch-Based Document Navigation," *UIST*, ACM, published Oct. 2004.

Smith, reghardware.com, "First fondleslab found in 1970s kids TV sci-fi gem: Apple iPad inspired by Tomorrow People," (http://www.reghardware.com/2011/02/07/apple_ipad_tomorrow_people/), published Feb. 7, 2011, 3 pages.

Sooman, "The LG Chocolate phone," Techspot.com, (<http://www.techspot.com/news/20929-the-lg-chocolate-phone.html>), published on Mar. 23, 2006, 5 pages.

Vilas-Boas, "Industrial Design Portfolio," published 2004, 6 pages.

WebdesignerDepot.com, "The Evolution of Cell Phone Design Between 1983-2009" (<http://www.webdesignerdepot.com/2009/05/the-evolution-of-cell-phone-design-between-1983-2009/>), accessed May 6, 2011, 56 pages.

Wikipedia.org, "Clie," (<http://en.wikipedia.org/wiki/CLIE%C3%89>), last modified February 12, 2011, 3 pages.

Wikipedia.org, "E-Ten" (<http://en.wikipedia.org/wiki/E-TEN>), last modified Dec. 15, 2010, 2 pages.

Wikipedia.org, "File:LG KE850 Prada Hauptmenü.jpg," (http://en.wikipedia.org/wiki/File:LG_KE850_Prada_Hauptmen%C3%BC.jpg), accessed Feb. 12, 2012, 4 pages.

Wikipedia.org, "iPAQ" (<http://en.wikipedia.org/wiki/IPAQ>), last modified May 4, 2011, 7 pages.

Wikipedia.org, "LifeDrive" (<http://en.wikipedia.org/wiki/LifeDrive>), last modified Mar. 16, 2011, 3 pages.

Wikipedia.org, "Pocket viewer," (http://en.wikipedia.org/wiki/Pocket_viewer), last modified Apr. 10, 2011, 4 pages.

Wikipedia.org, "Zire Handheld" (http://en.wikipedia.org/wiki/Zire_Handheld), last modified Dec. 11, 2010, 4 pages.

Ziegler, "The LG KE850: touchable chocolate," Engadget.com, (<http://www.engadget.com/2006/12/15/the-lg-ke850-touchable-chocolate/>), published Dec. 15, 2006, 5 pages.

U.S. Appl. No. 29/384,914, filed Feb. 4, 2011.

* cited by examiner

Primary Examiner — Eric Goodman

Assistant Examiner — Clese Moore, Jr.

(74) *Attorney, Agent, or Firm* — Sterne, Kessler, Goldstein & Fox P.L.L.C.

(57)

CLAIM

The ornamental design for an electronic device, as shown and described.

DESCRIPTION

FIG. 1 is a front bottom perspective view of an electronic device showing our new design;

FIG. 2 is a rear bottom perspective view thereof;

FIG. 3 is a rear top perspective view thereof;

FIG. 4 is a front top perspective view thereof;

FIG. 5 is a front view thereof;

FIG. 6 is a rear view thereof;

FIG. 7 is a side view thereof;

FIG. 8 is another side view thereof;

FIG. 9 is a top view thereof;

FIG. 10 is a bottom view thereof; and,

FIG. 11 is an enlarged view of a portion of the electronic device taken in FIG. 10.

The shade lines in the Figures show contour or transparency and not surface ornamentation.

The broken lines in the Figures show portions of the electronic device which form no part of the claimed design.

1 Claim, 8 Drawing Sheets

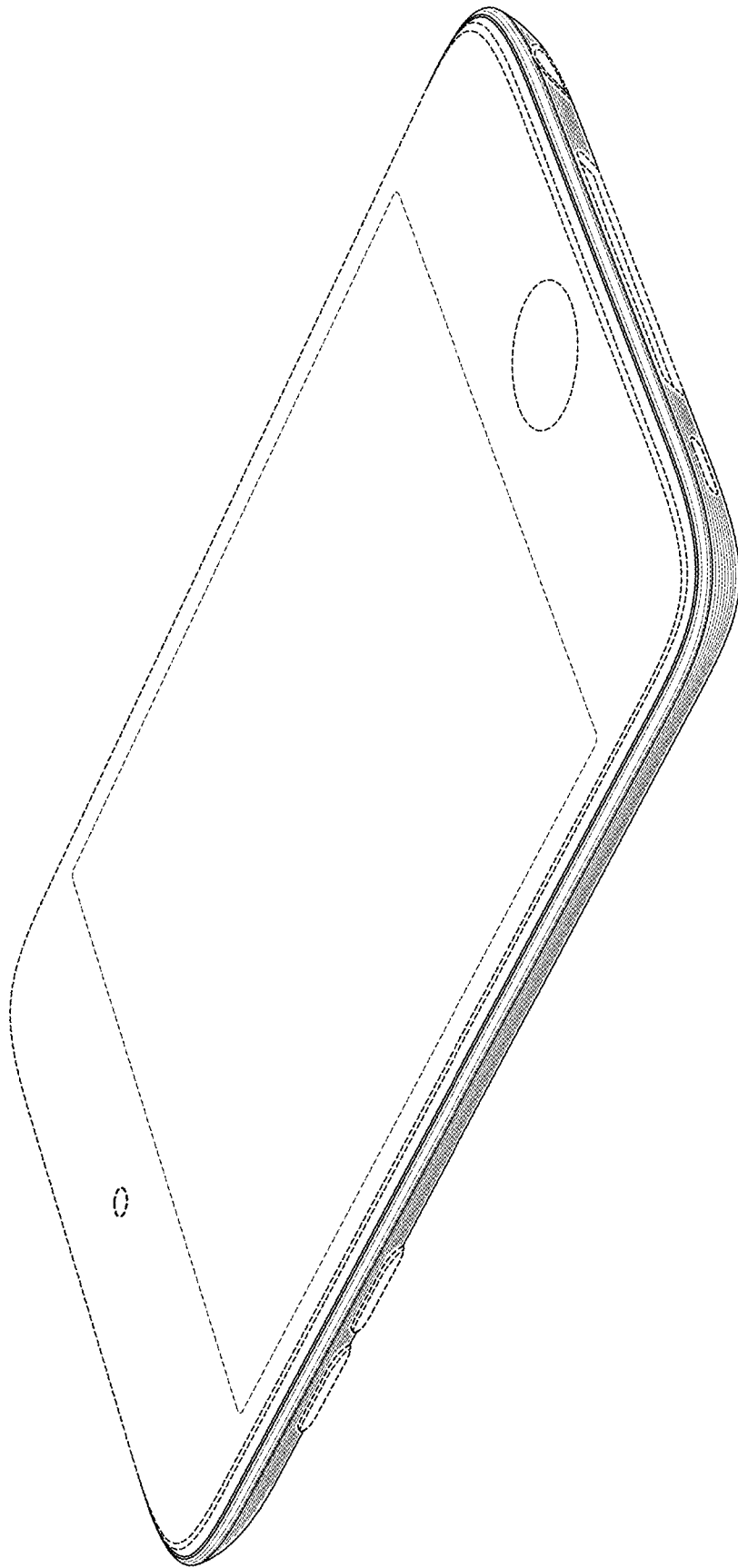


FIG. 1

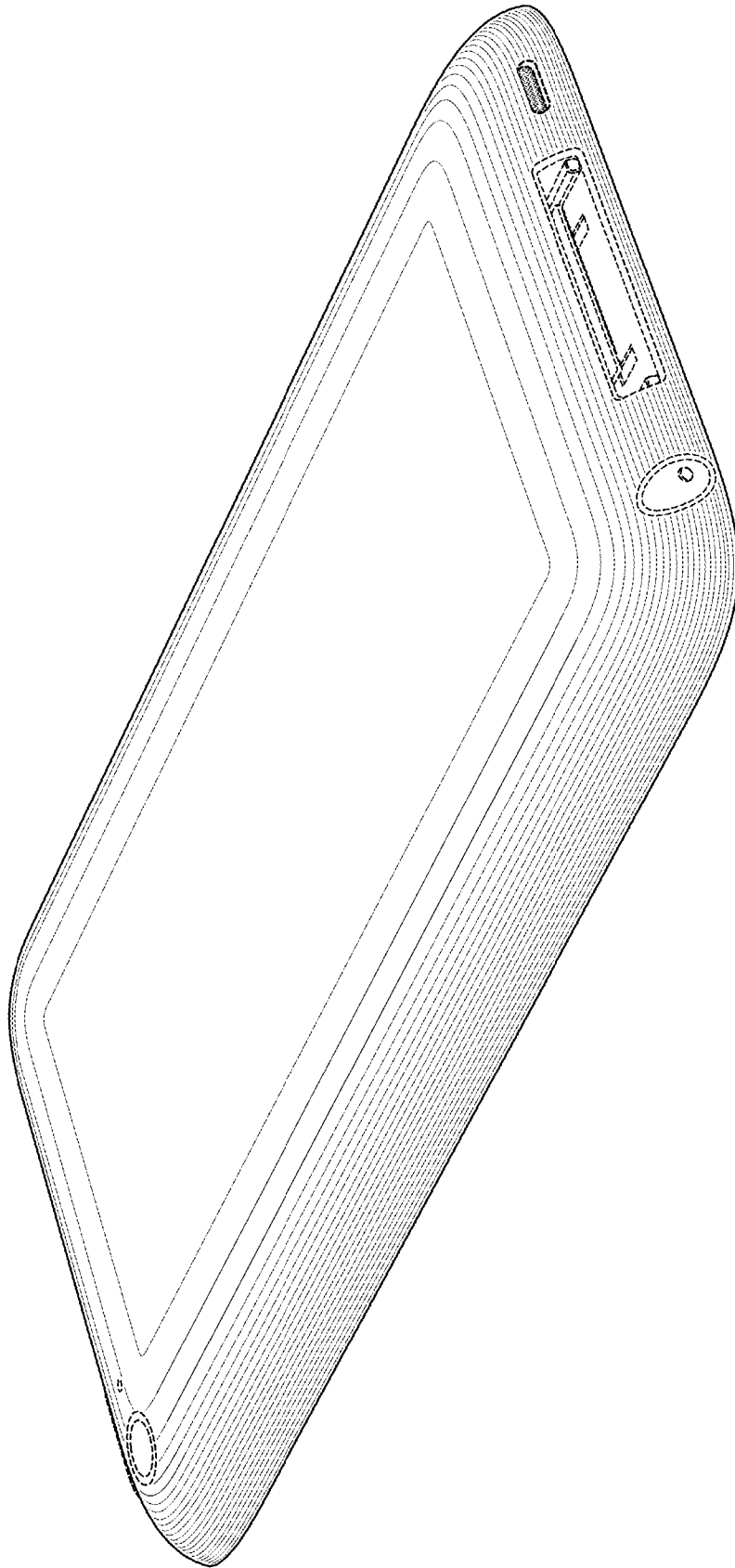


FIG. 2

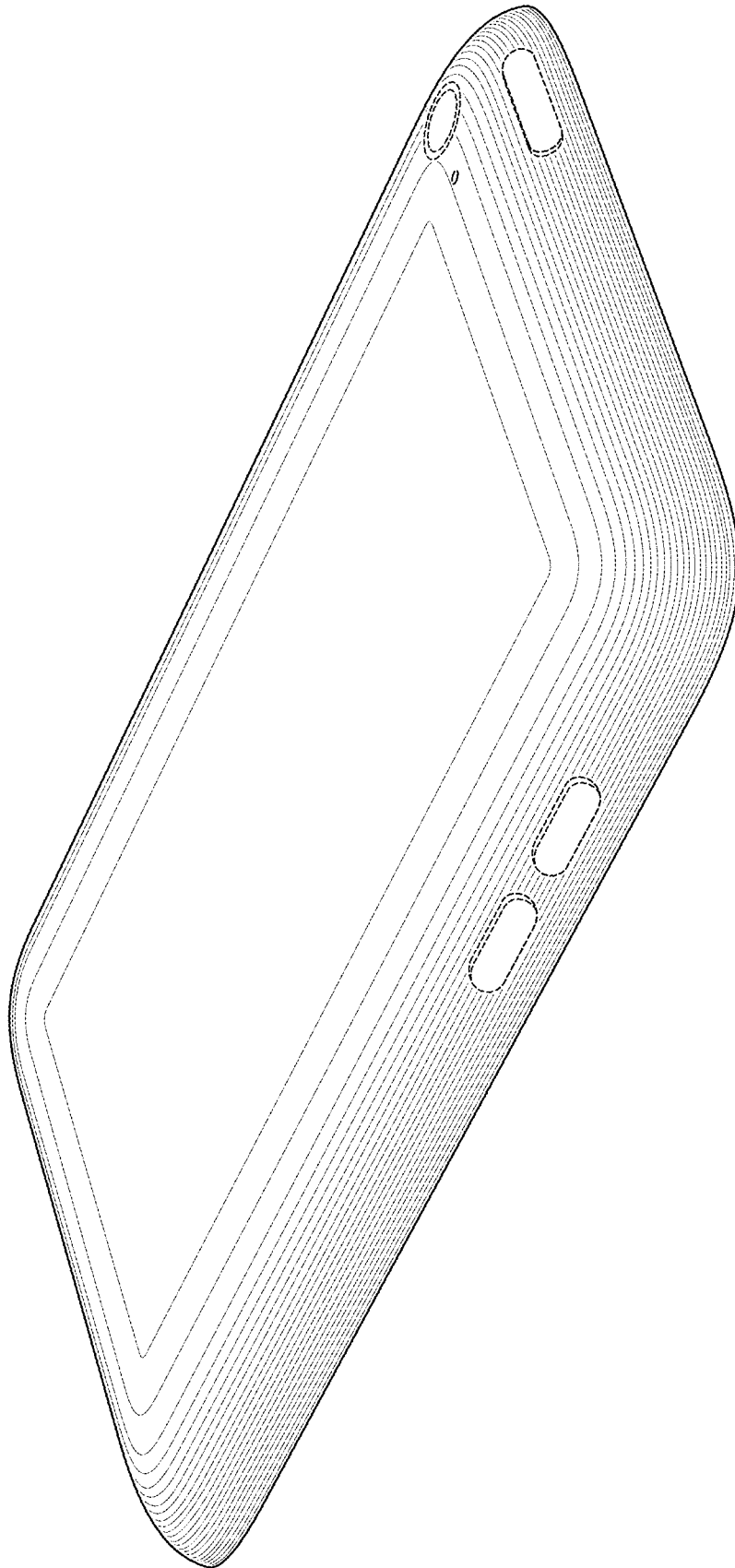


FIG. 3

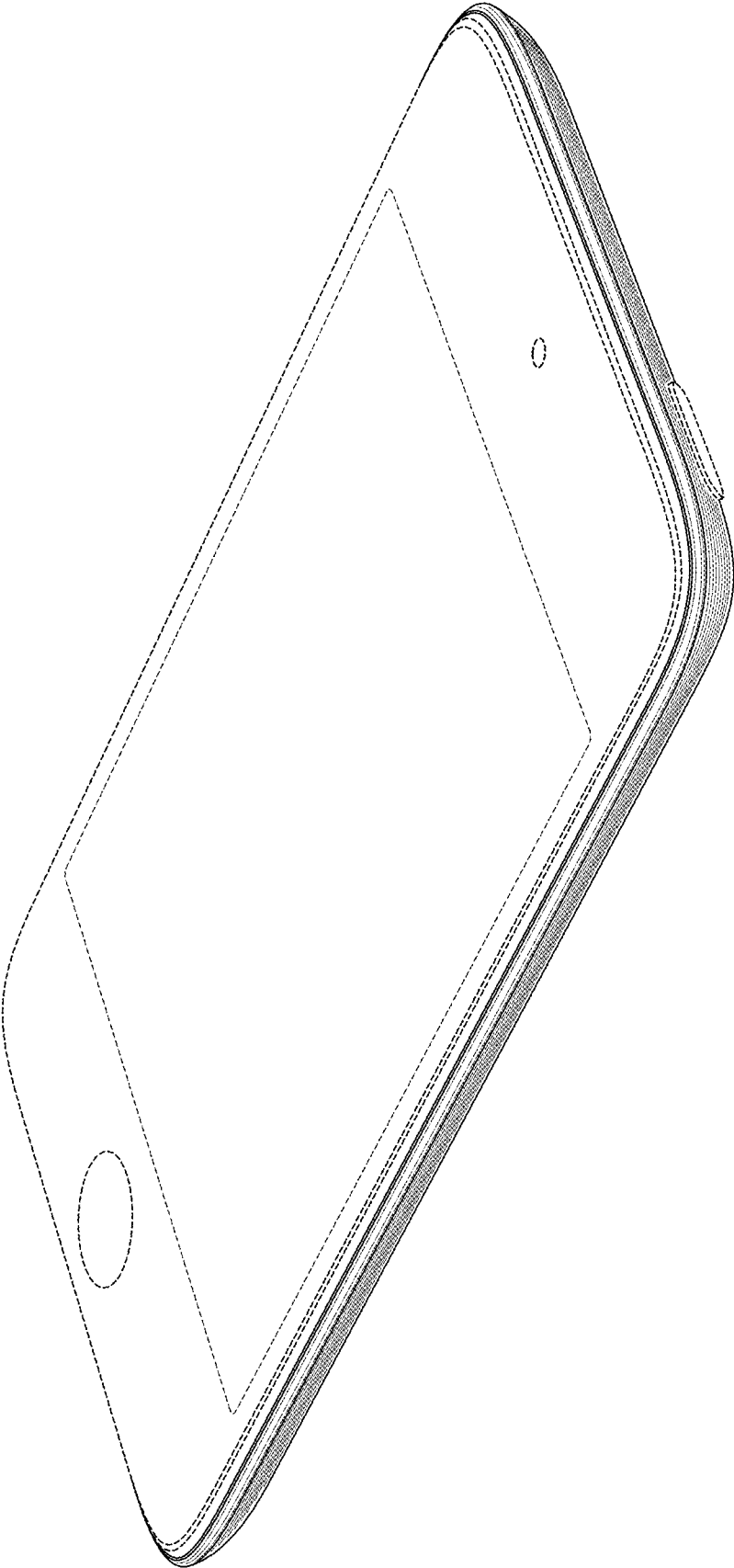


FIG. 4

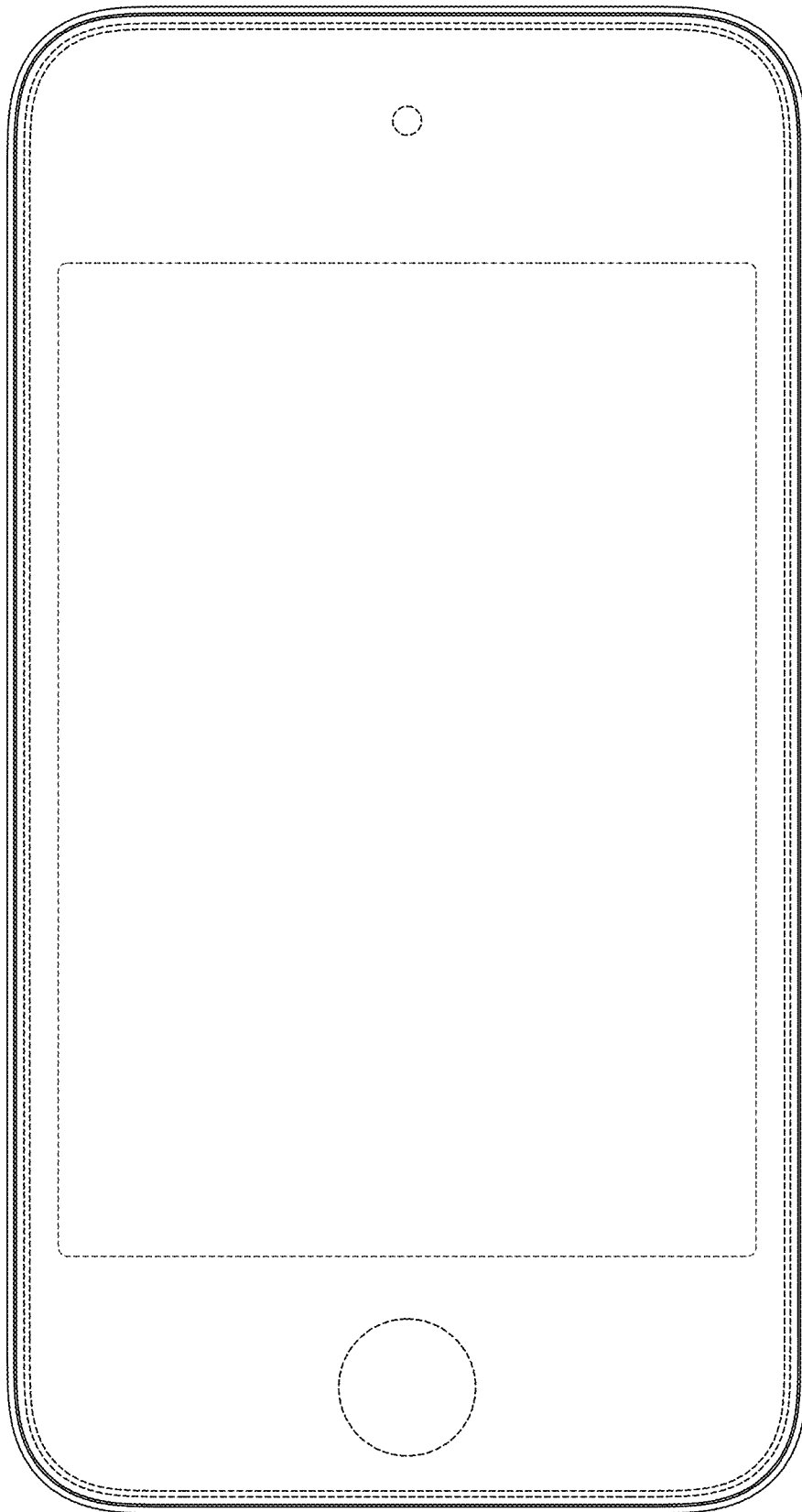


FIG. 5

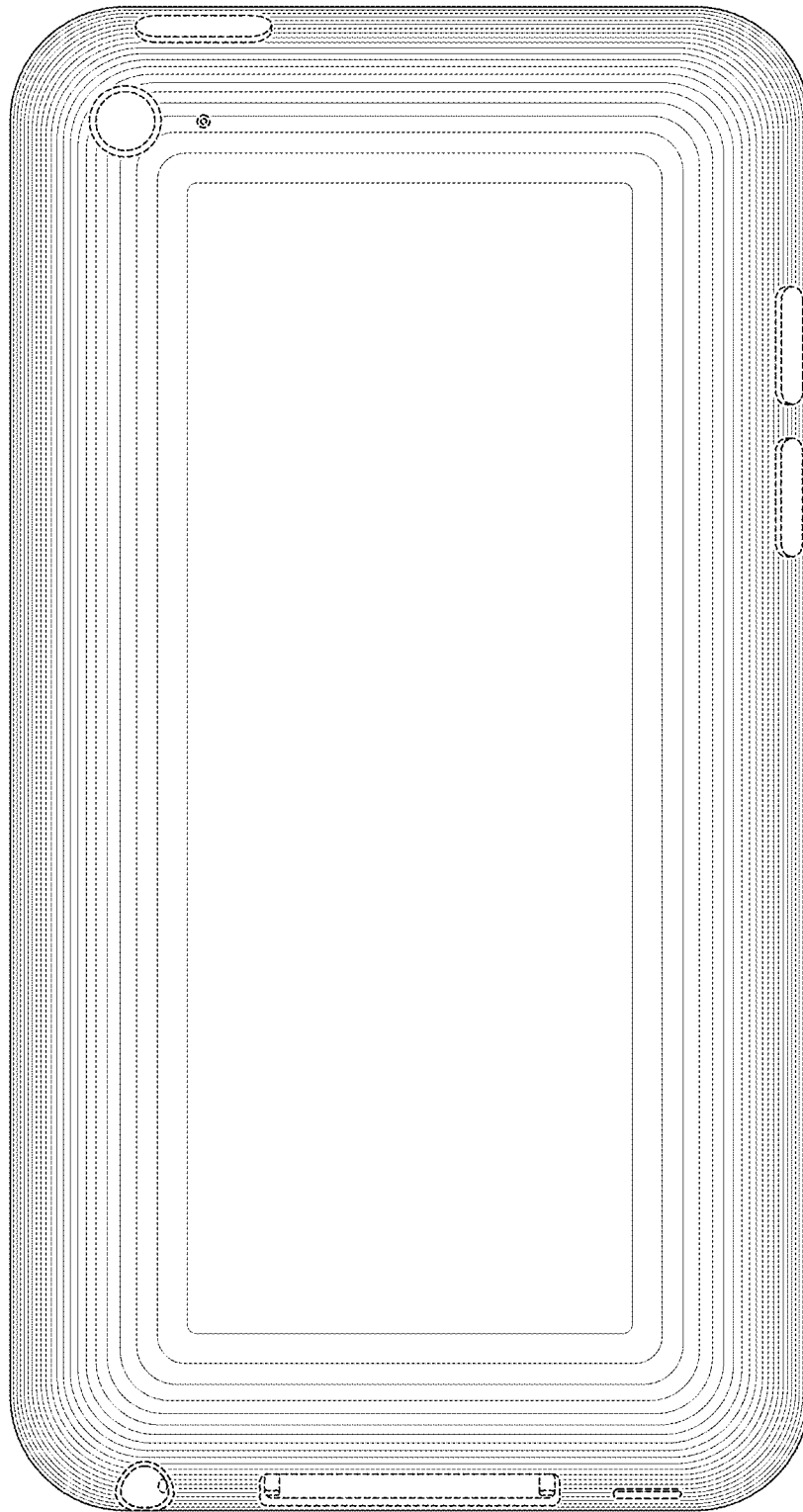


FIG. 6

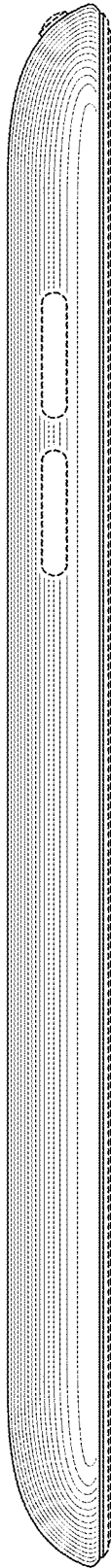


FIG. 7

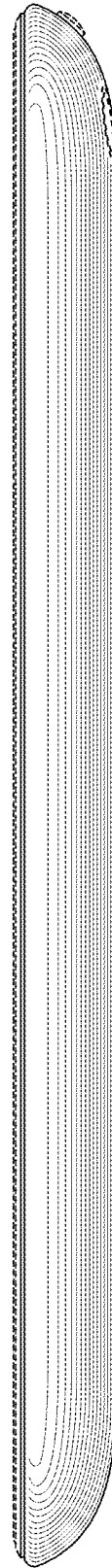


FIG. 8

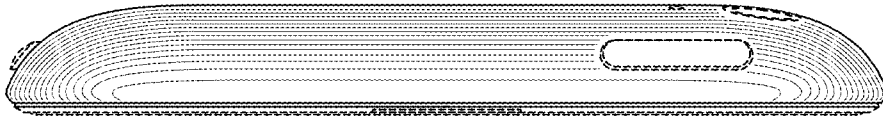


FIG. 9

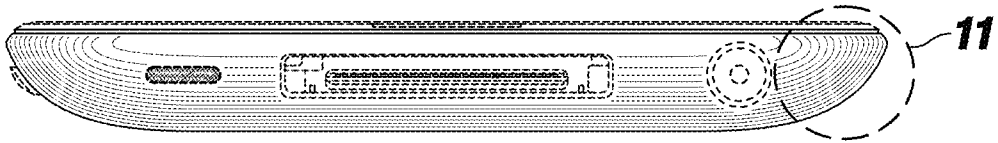


FIG. 10

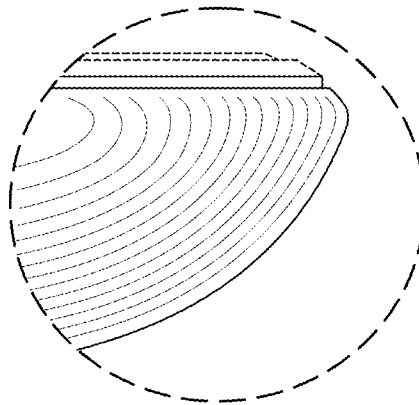


FIG. 11