



US00D492006S1

(12) **United States Design Patent**
Haug et al.

(10) **Patent No.:** **US D492,006 S**

(45) **Date of Patent:** **** Jun. 22, 2004**

(54) **HAND SHOWER**

D457,937 S * 5/2002 Lindholm et al. D23/223
D466,185 S * 11/2002 Tse D23/223

(75) Inventors: **Andreas Haug**, Stuttgart (DE); **Tom Schönherr**, Stuttgart (DE); **Fabian Kollmann**, Stuttgart (DE)

OTHER PUBLICATIONS

Catalog by Bossini, pp. 10 and 11, 2002.
“GROHEart” catalog by Grohe, p. 81, 2002.

(73) Assignee: **Hansgrohe AG**, Schiltach (DE)

* cited by examiner

(**) Term: **14 Years**

Primary Examiner—Robin V. Taylor

(21) Appl. No.: **29/186,988**

(74) *Attorney, Agent, or Firm*—Duane Morris LLP

(22) Filed: **Jul. 25, 2003**

(57) **CLAIM**

(30) **Foreign Application Priority Data**

The ornamental design for a hand shower, as shown and described.

Jan. 28, 2003 (DE) 4 03 00 638

DESCRIPTION

(51) **LOC (7) Cl.** **23-01**

FIG. 1: is a side perspective view of the hand shower showing our new design;

(52) **U.S. Cl.** **D23/223**

FIG. 2: is a front elevation view thereof;

(58) **Field of Search** D23/213, 223,
D23/226; 239/394, 526, 282

FIG. 3: is a bottom plan view thereof;

FIG. 4: is a side elevation view thereof;

FIG. 5: is a top plan view thereof;

FIG. 6: is a rear elevation view thereof; and,

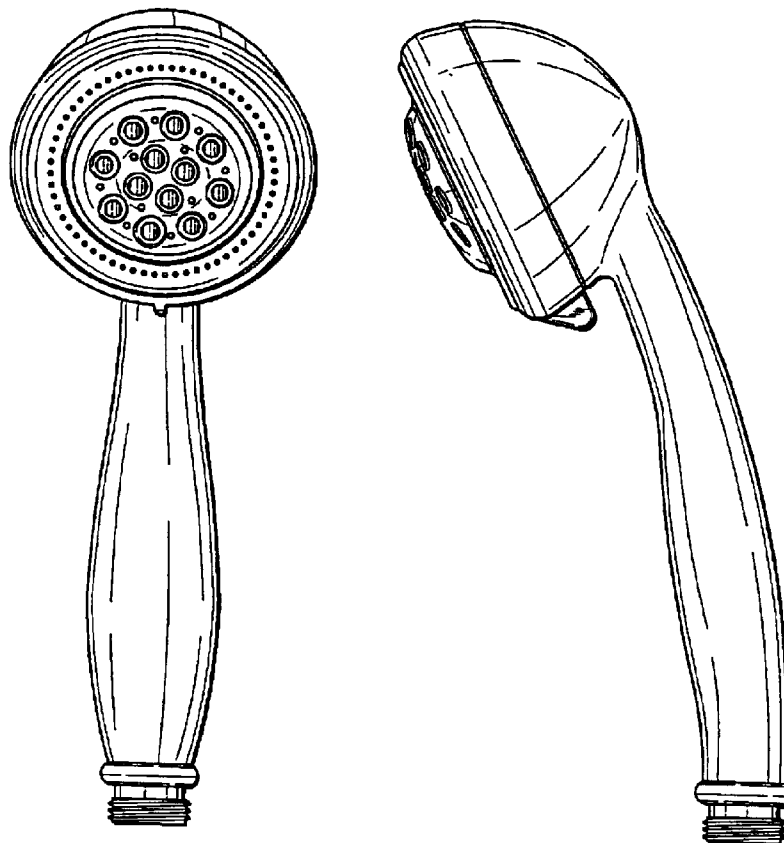
FIG. 7: is the opposite side elevation view thereof.

(56) **References Cited**

U.S. PATENT DOCUMENTS

D423,083 S * 4/2000 Haug et al. D23/223
D428,110 S * 7/2000 Haug et al. D23/223
D440,630 S * 4/2001 Gottwald D23/223

1 Claim, 3 Drawing Sheets



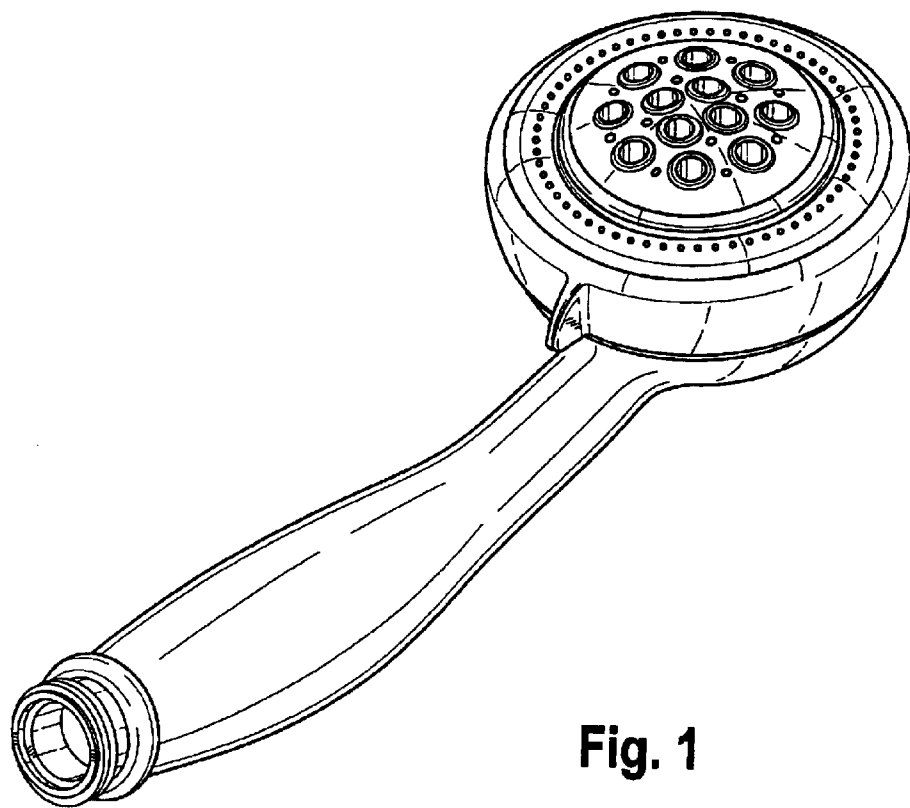


Fig. 1

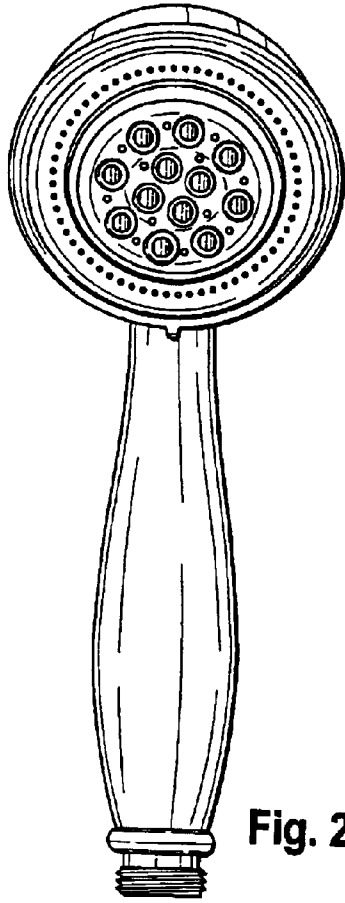


Fig. 2

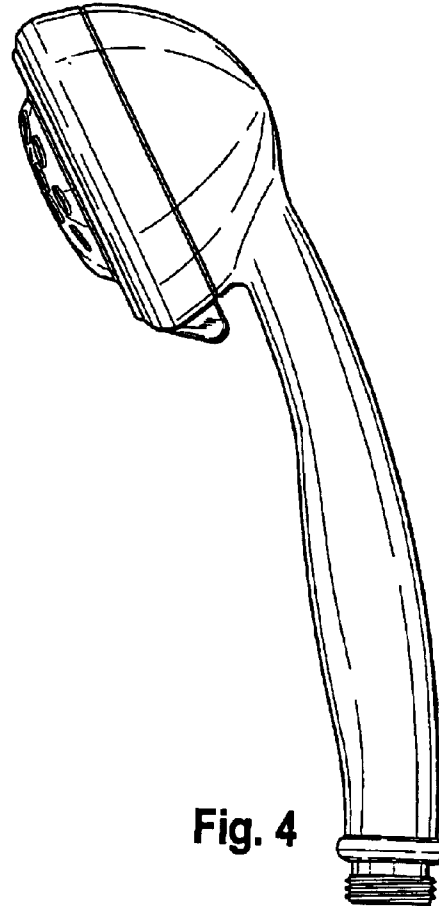


Fig. 4

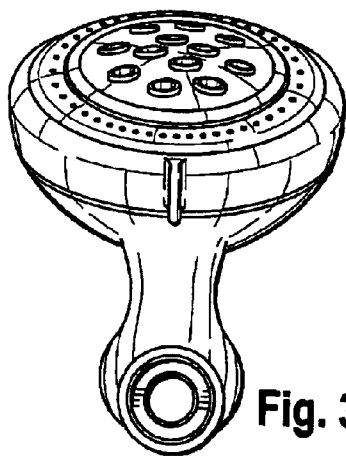


Fig. 3

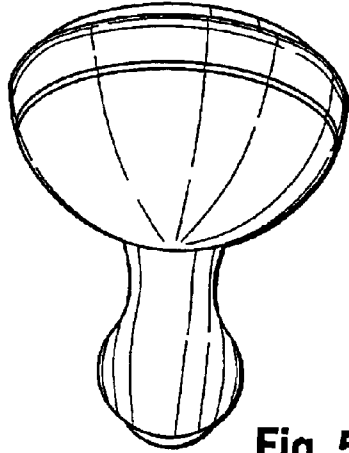


Fig. 5

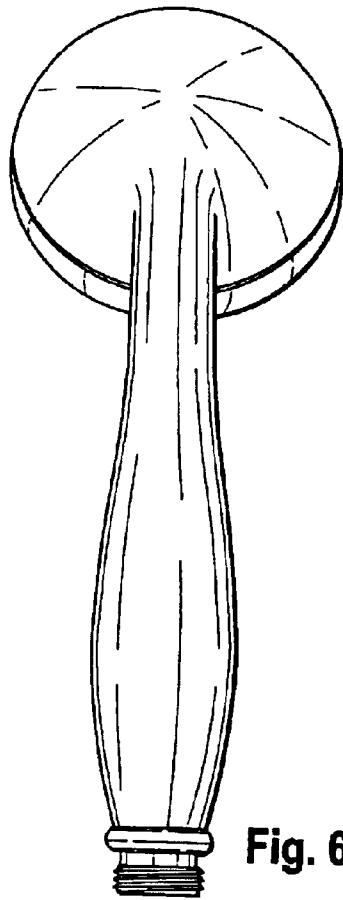


Fig. 6

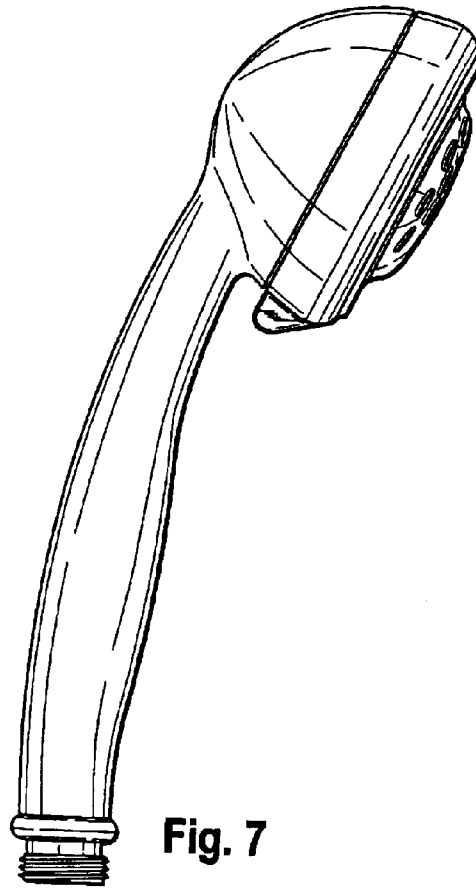


Fig. 7