



(12) **United States Design Patent**
Li

(10) **Patent No.:** **US D910,642 S**
(45) **Date of Patent:** **** Feb. 16, 2021**

- (54) **TABLET CASE**
- (71) Applicant: **JINCHANNEL IMPORT & EXPORT CO., LTD**, Shenzhen (CN)
- (72) Inventor: **Enqun Li**, Shenzhen (CN)
- (73) Assignee: **JINCHANNEL IMPORT & EXPORT CO., LTD**, Shenzhen (CN)
- (**) Term: **15 Years**
- (21) Appl. No.: **29/744,731**
- (22) Filed: **Jul. 31, 2020**
- (51) **LOC (13) Cl.** **14-02**
- (52) **U.S. Cl.**
USPC **D14/440**
- (58) **Field of Classification Search**
USPC D14/440, 447, 250; 206/45.23, 320,
206/45.2; 361/679.55; 294/25; 224/218
CPC ... G06F 1/1628; G06F 1/1626; A47B 23/044;
H04B 1/3888
See application file for complete search history.

2009/0159763	A1*	6/2009	Kim	F16M 13/00
					248/174
2009/0194209	A1*	8/2009	De Filippis	A45C 11/00
					150/107
2011/0227463	A1*	9/2011	Hou	A47B 23/043
					312/223.1
2012/0268891	A1*	10/2012	Cencioni	G06F 1/1626
					361/679.55
2013/0088431	A1*	4/2013	Ballagas	G06F 1/1626
					345/168
2013/0214661	A1*	8/2013	McBroom	G06F 1/162
					312/325
2013/0223005	A1*	8/2013	Smith	G06F 1/1628
					361/679.55
2013/0233762	A1*	9/2013	Balaji	B65D 25/00
					206/736

(Continued)

Primary Examiner — Cynthia R Underwood

(57) **CLAIM**

The ornamental design for a tablet case, as shown and described.

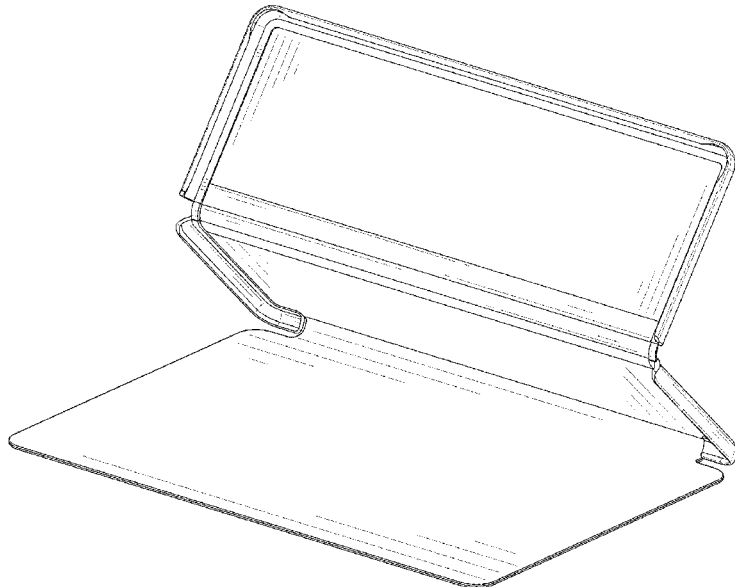
DESCRIPTION

FIG. 1 is a perspective view of a tablet case showing my new design;
 FIG. 2 is another perspective view thereof;
 FIG. 3 is a front elevational view thereof;
 FIG. 4 is a rear elevational view thereof;
 FIG. 5 is a left side elevational view thereof;
 FIG. 6 is a right side elevational view thereof;
 FIG. 7 is a top plan view thereof;
 FIG. 8 is a bottom plan view thereof;
 FIG. 9 is a perspective view of a tablet case showing my new design where the tablet case is in a first configuration of use;
 FIG. 10 is a perspective view of the tablet case where the tablet case is in a second configuration of use; and,
 FIG. 11 is an enlarged view of portion 11 shown in FIG. 1.

1 Claim, 11 Drawing Sheets

(56) **References Cited**
 U.S. PATENT DOCUMENTS

D752,593	S *	3/2016	Diebel	G06F 1/1679	D14/440
D797,108	S	9/2017	Liu			
D805,080	S *	12/2017	Lakraa	D14/440	
D808,394	S *	1/2018	Lakraa	D14/440	
D845,305	S	4/2019	Xu			
D857,023	S *	8/2019	Hyun	D14/440	
D870,116	S	12/2019	Lei			
D883,986	S *	5/2020	Akana	D14/440	
D896,233	S *	9/2020	Chen	D14/440	
10,763,910	B2 *	9/2020	Nyholm	H04M 1/0202	
D900,114	S *	10/2020	Tang	D14/440	
2008/0167095	A1 *	7/2008	Kim	H04M 1/0216	455/575.3



(56)

References Cited

U.S. PATENT DOCUMENTS

2013/0241381	A1*	9/2013	Hynecek	H05K 5/0217 312/240
2014/0246340	A1*	9/2014	Jiang	A45C 11/00 206/45.23
2015/0065208	A1*	3/2015	Balaji	H04M 1/04 455/575.8
2015/0151887	A1*	6/2015	Huang	A45C 11/00 224/191
2015/0237979	A1*	8/2015	Huang	A45C 11/00 206/45.25
2015/0263776	A1*	9/2015	Shyu	A45C 13/002 455/575.8
2015/0266610	A1*	9/2015	Melmon	B65D 5/5206 206/45.23
2015/0280768	A1*	10/2015	Huang	H04B 1/3888 455/575.8
2016/0018854	A1*	1/2016	Yu	G06F 1/1632 361/679.08

* cited by examiner

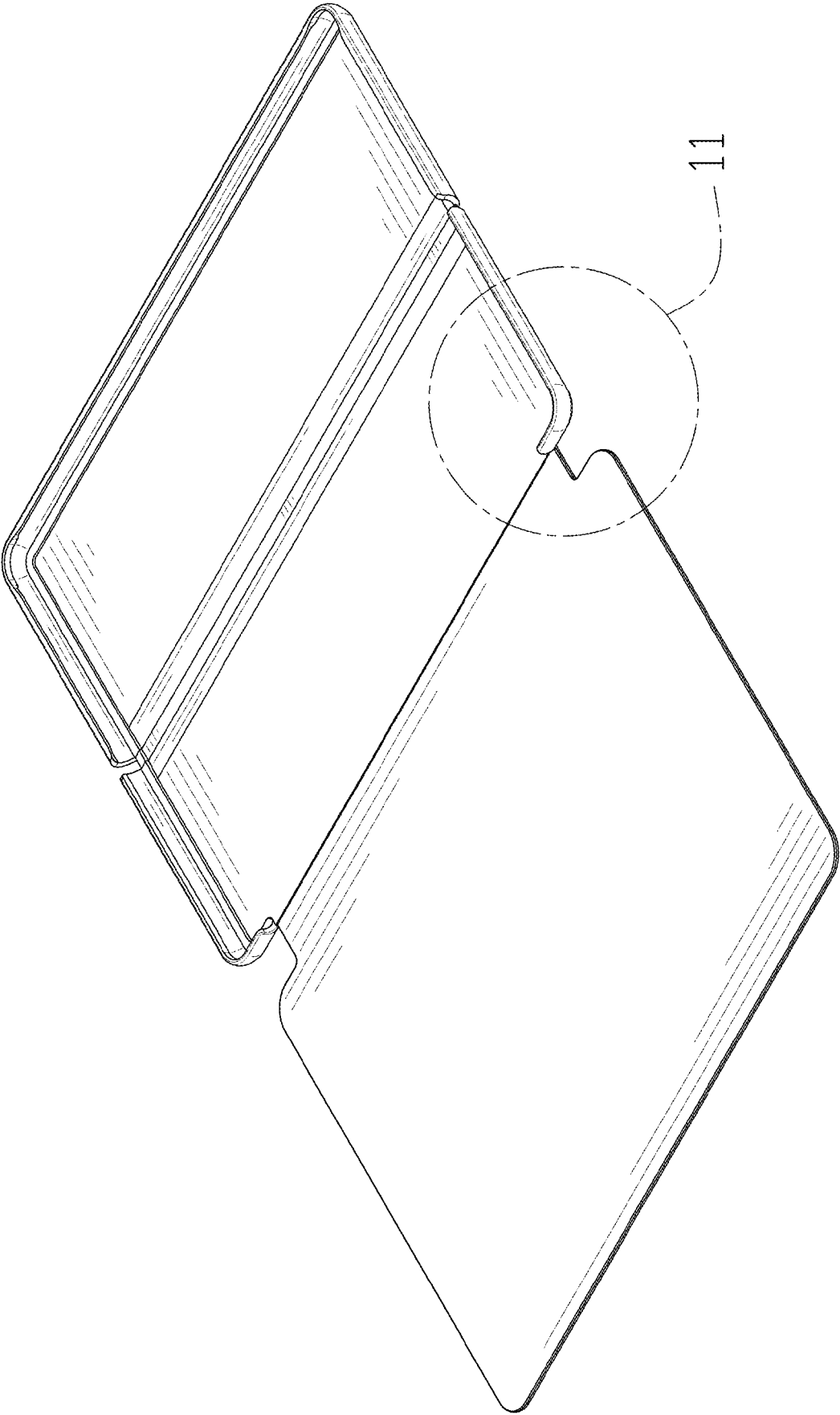


FIG. 1

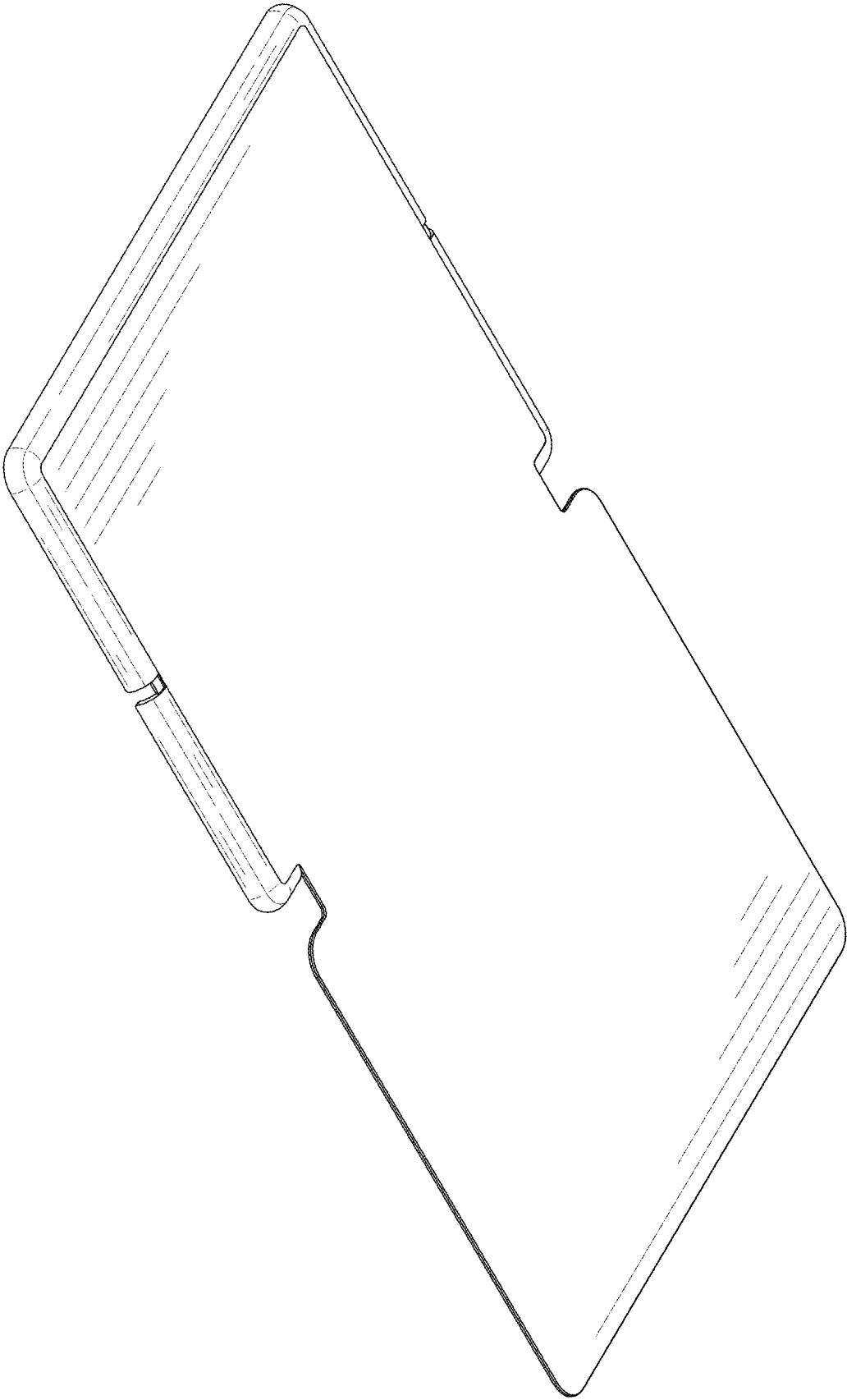


FIG. 2

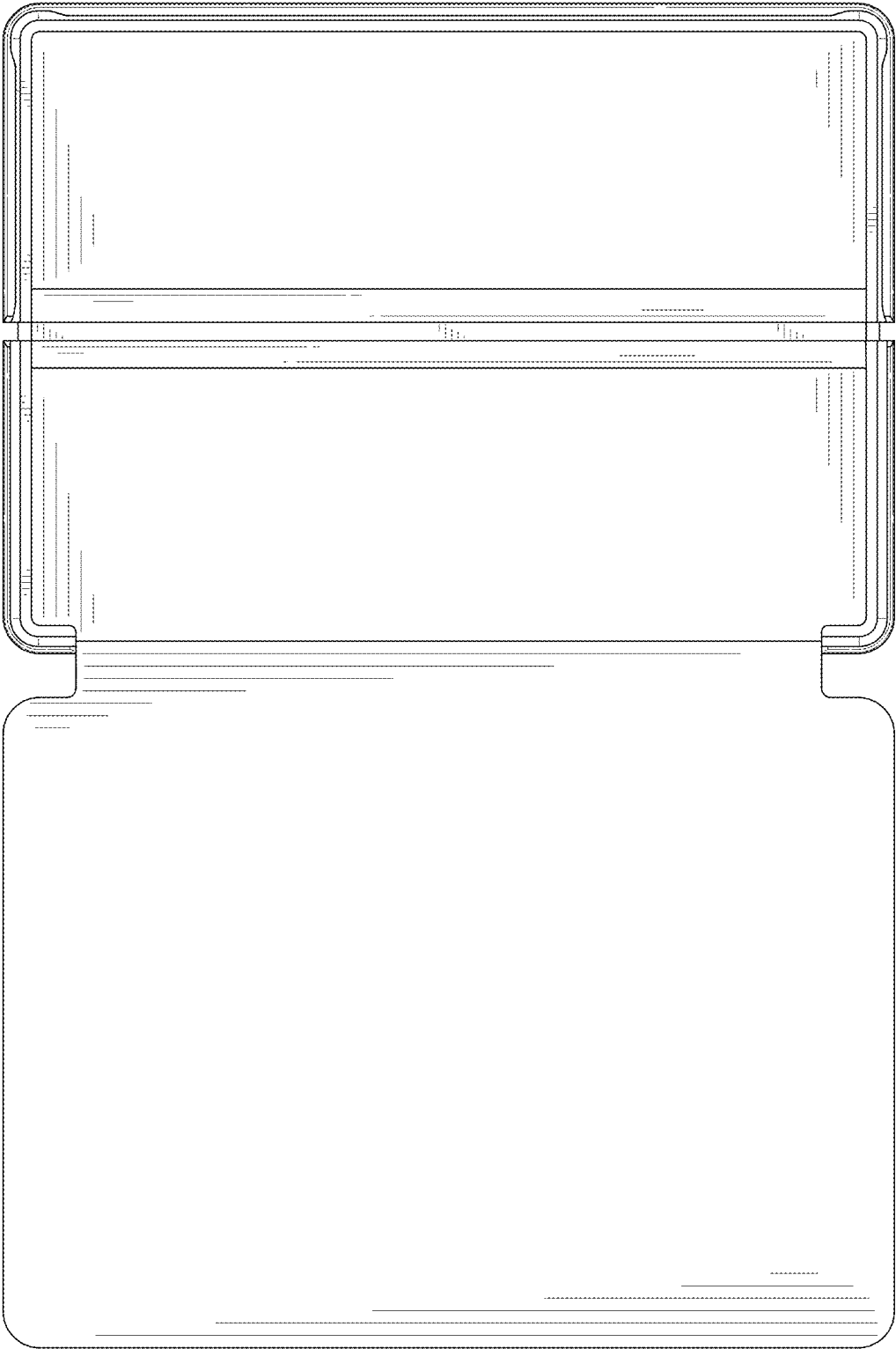


FIG. 3

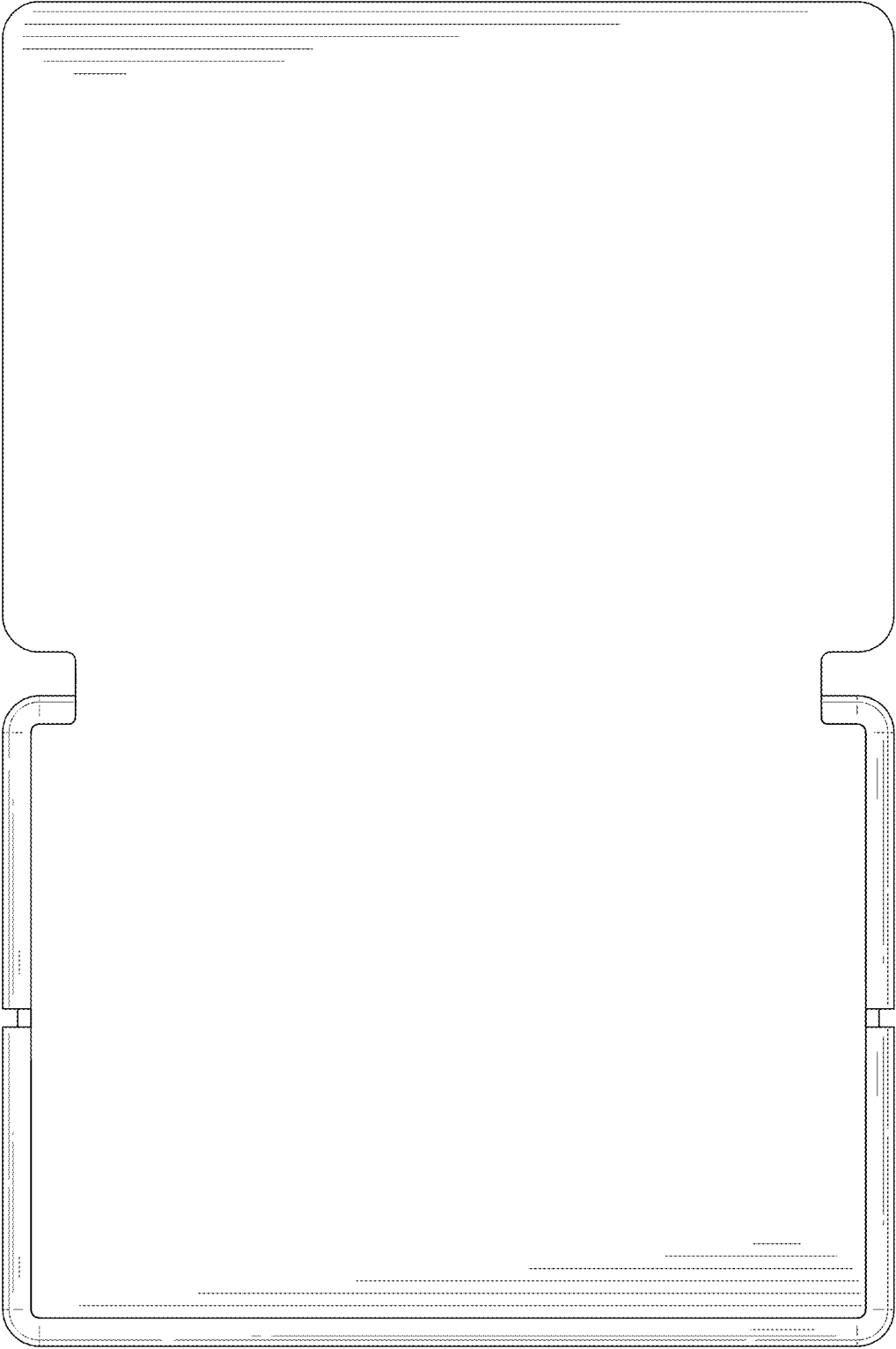


FIG. 4



FIG. 5

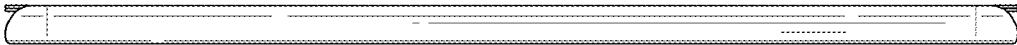


FIG. 6

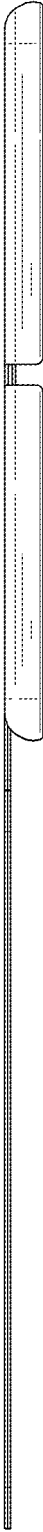


FIG. 7



FIG. 8

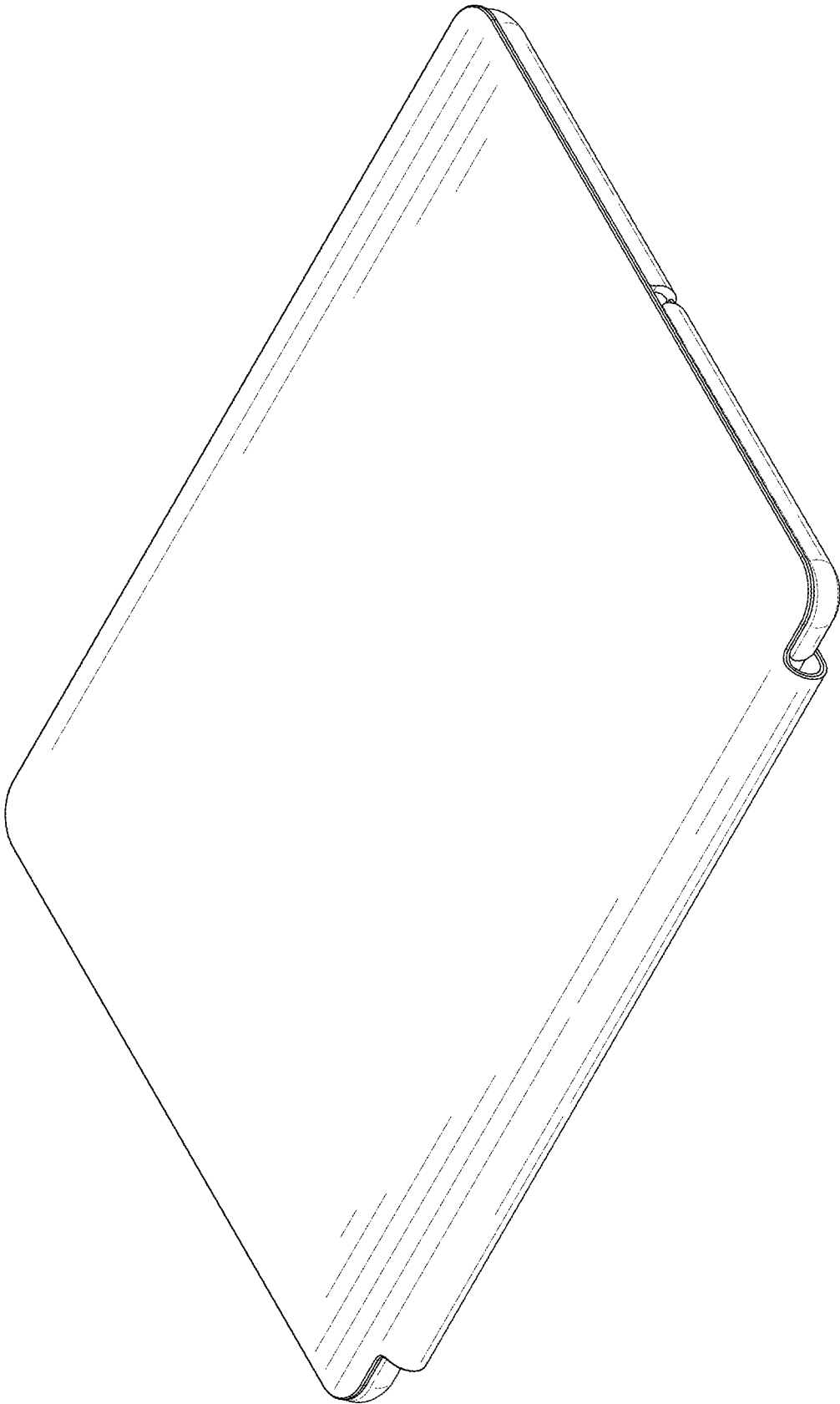


FIG. 9

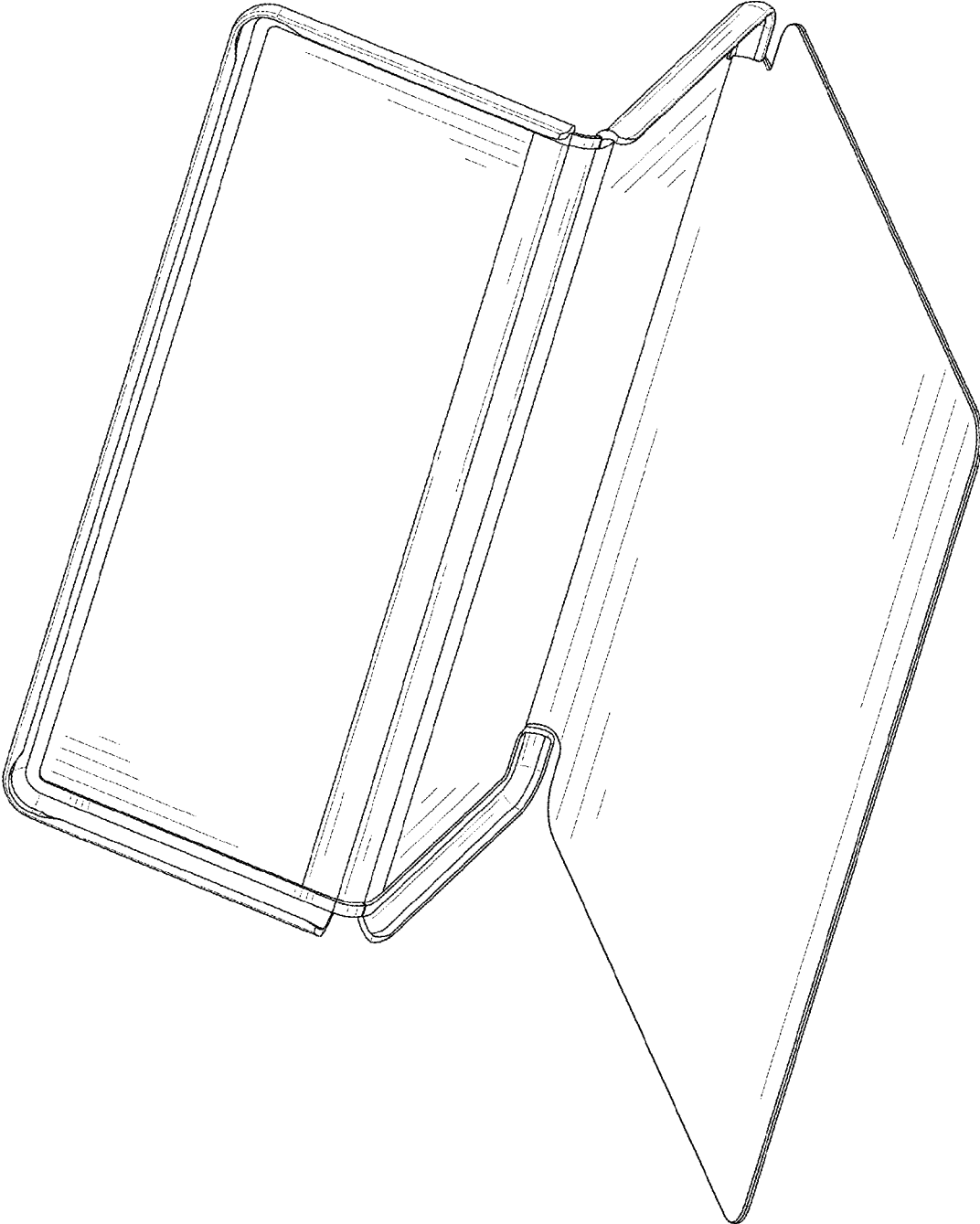


FIG. 10



FIG. 11