



US00D781429S

(12) **United States Design Patent**
Westdyk

(10) **Patent No.:** **US D781,429 S**

(45) **Date of Patent:** **** Mar. 14, 2017**

(54) **SACRAL SUPPORT**

(71) Applicant: **Alan Michael Westdyk**, Pretoria (ZA)

(72) Inventor: **Alan Michael Westdyk**, Pretoria (ZA)

(**) Term: **15 Years**

(21) Appl. No.: **29/536,123**

(22) Filed: **Aug. 13, 2015**

(30) **Foreign Application Priority Data**

Feb. 24, 2015 (ZA) F2015/00275

(51) **LOC (10) Cl.** **24-04**

(52) **U.S. Cl.**
USPC **D24/190; D24/183**

(58) **Field of Classification Search**
USPC D24/183, 184, 188, 190-192, 200, 211;
D6/595, 601, 606
CPC A47G 9/10; A47G 2009/1018; A47C 20/027;
A47C 20/021; A47C 20/023; A47C
7/383; A47C 7/425; A61G 7/0755; A61G
13/12; A61G 7/07; A61G 13/1225; A47D
13/08

See application file for complete search history.

(56) **References Cited**

U.S. PATENT DOCUMENTS

- 3,258,790 A * 7/1966 Maru A47G 9/1009
482/10
- 4,114,612 A * 9/1978 Benjamin A47G 9/1009
482/10
- D309,189 S * 7/1990 Bowlin D24/183

- D340,380 S * 10/1993 McDonald D6/601
- D378,615 S * 3/1997 Neviaser D24/190
- D523,679 S * 6/2006 Illingworth D6/601
- D531,315 S * 10/2006 Caudra D24/183
- D619,404 S * 7/2010 Castillo D6/609
- D635,265 S * 3/2011 Coffey D24/183
- 8,191,967 B2 * 6/2012 Chen A47C 7/383
297/230.13
- D708,752 S * 7/2014 Oberst D24/190
- D731,817 S * 6/2015 Rogers D6/601
- D758,098 S * 6/2016 Pham D6/601
- 2003/0208846 A1 * 11/2003 Guarino A47C 20/021
5/636
- 2006/0288486 A1 * 12/2006 Kidwell A47C 1/14
5/632

* cited by examiner

Primary Examiner — George D Kirschbaum

Assistant Examiner — Jennifer Watkins

(74) *Attorney, Agent, or Firm* — Haugen Law Firm PLLP

(57) **CLAIM**

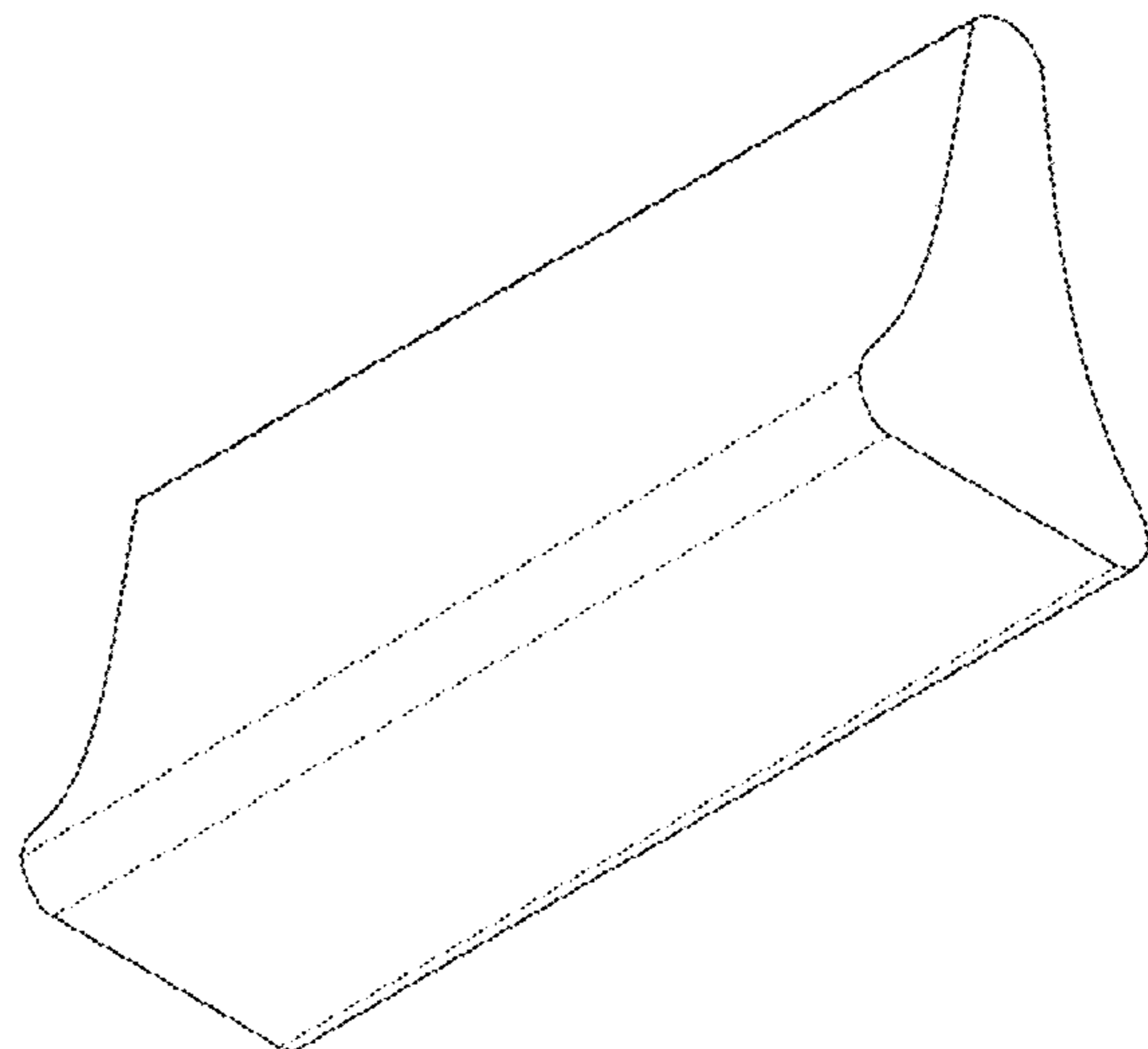
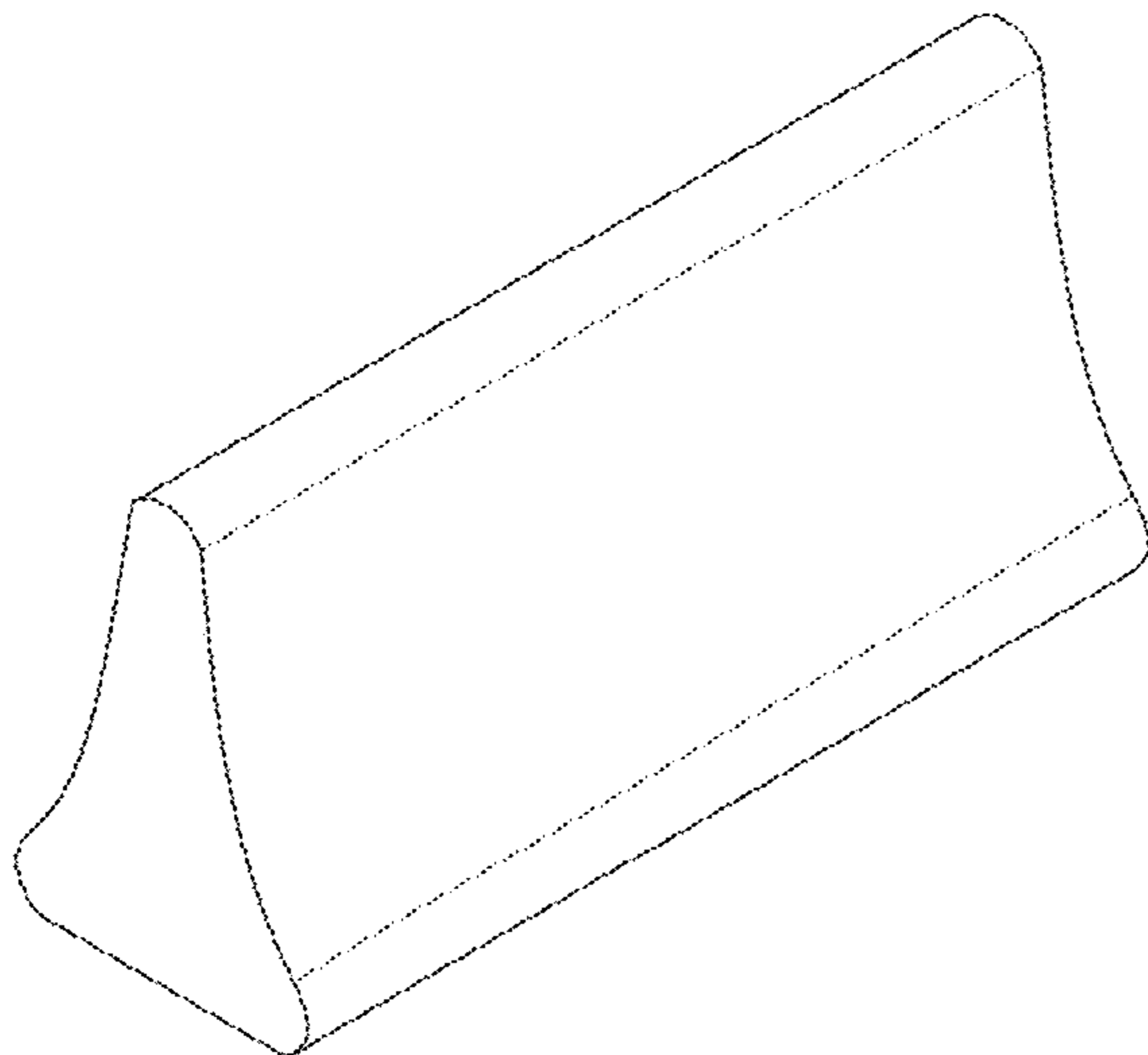
The ornamental design for a sacral support, as shown and described.

DESCRIPTION

FIG. 1 is a front top perspective view of the sacral support; FIG. 2 is a front bottom perspective view of the sacral support;

FIG. 3 is a front elevational view of the sacral support; FIG. 4 is a rear elevational of the sacral support; FIG. 5 is a left side elevational view of the sacral support; FIG. 6 is a right side elevational view of the sacral support; FIG. 7 is a top plan view of the sacral support; and, FIG. 8 is a bottom plan view of the sacral support.

1 Claim, 4 Drawing Sheets



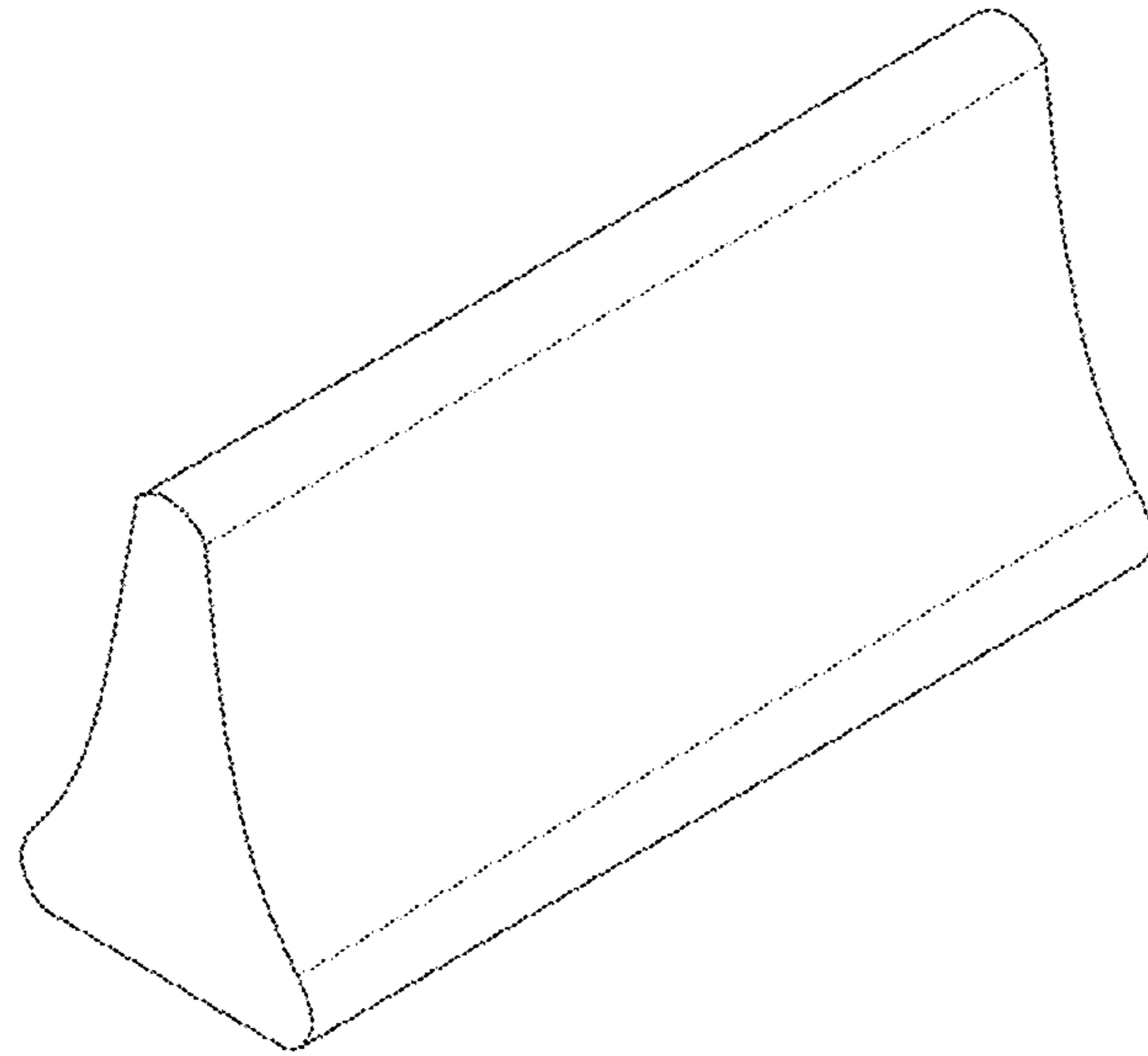


Fig. 1

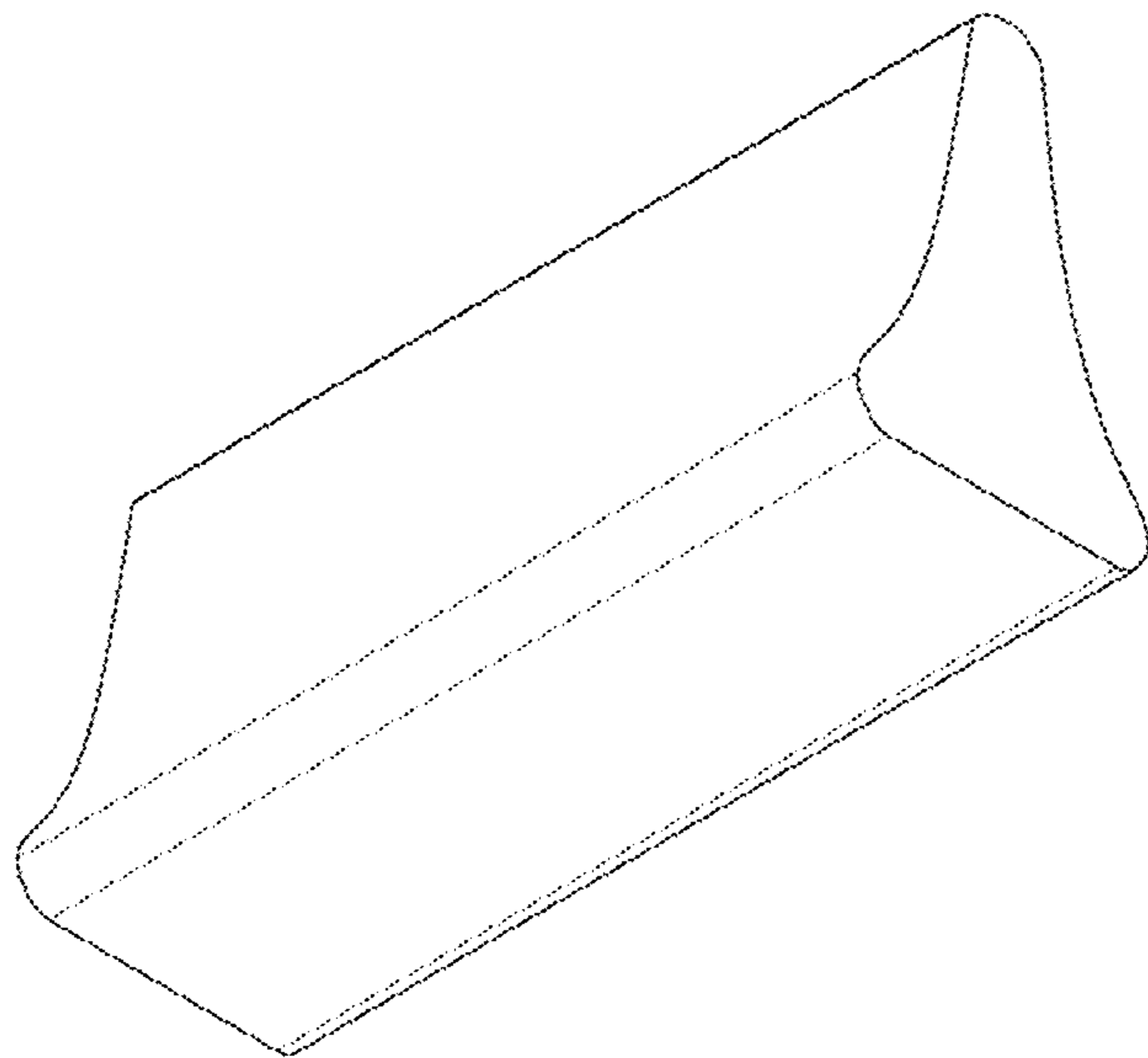


Fig. 2

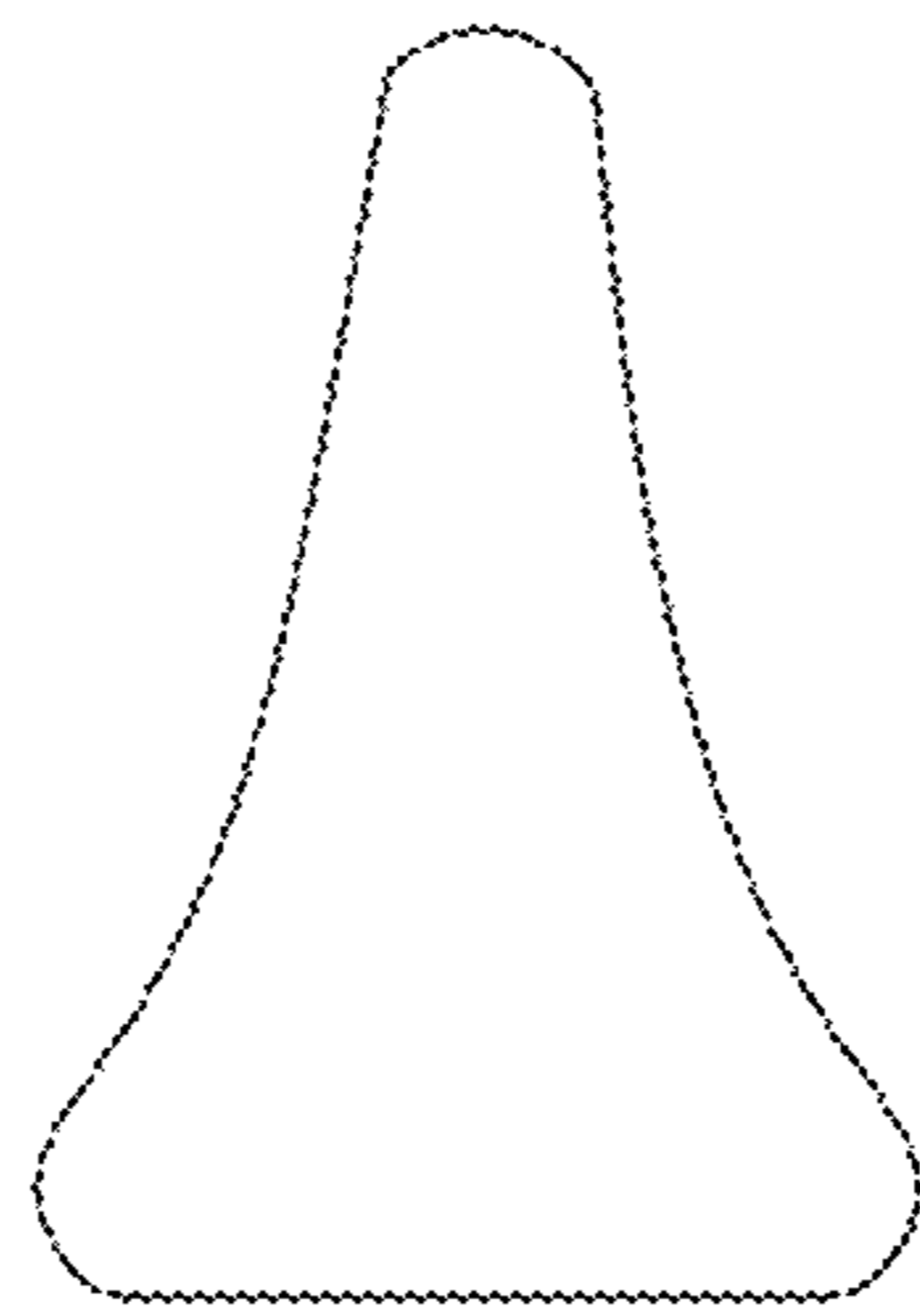


Fig. 3

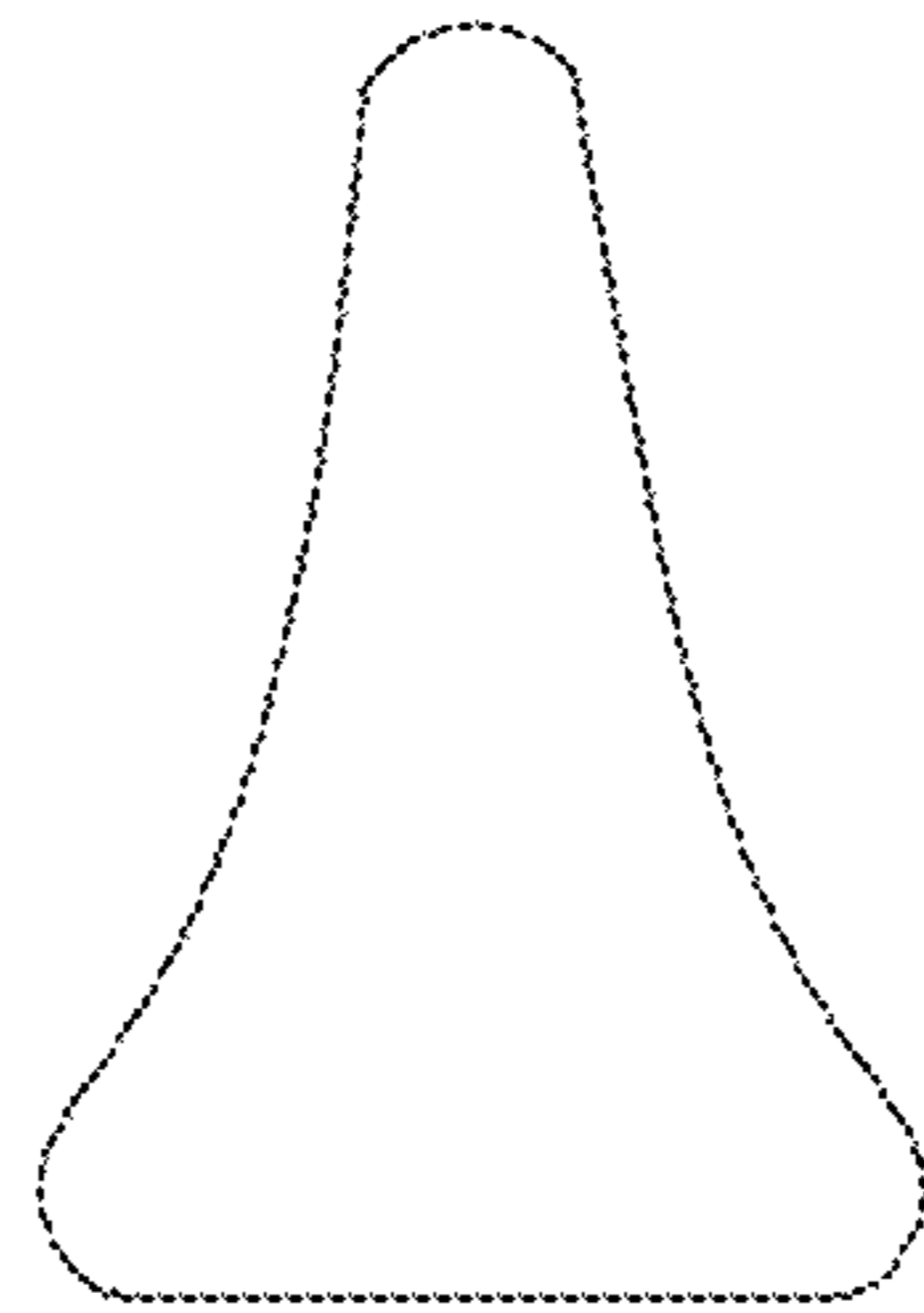


Fig. 4

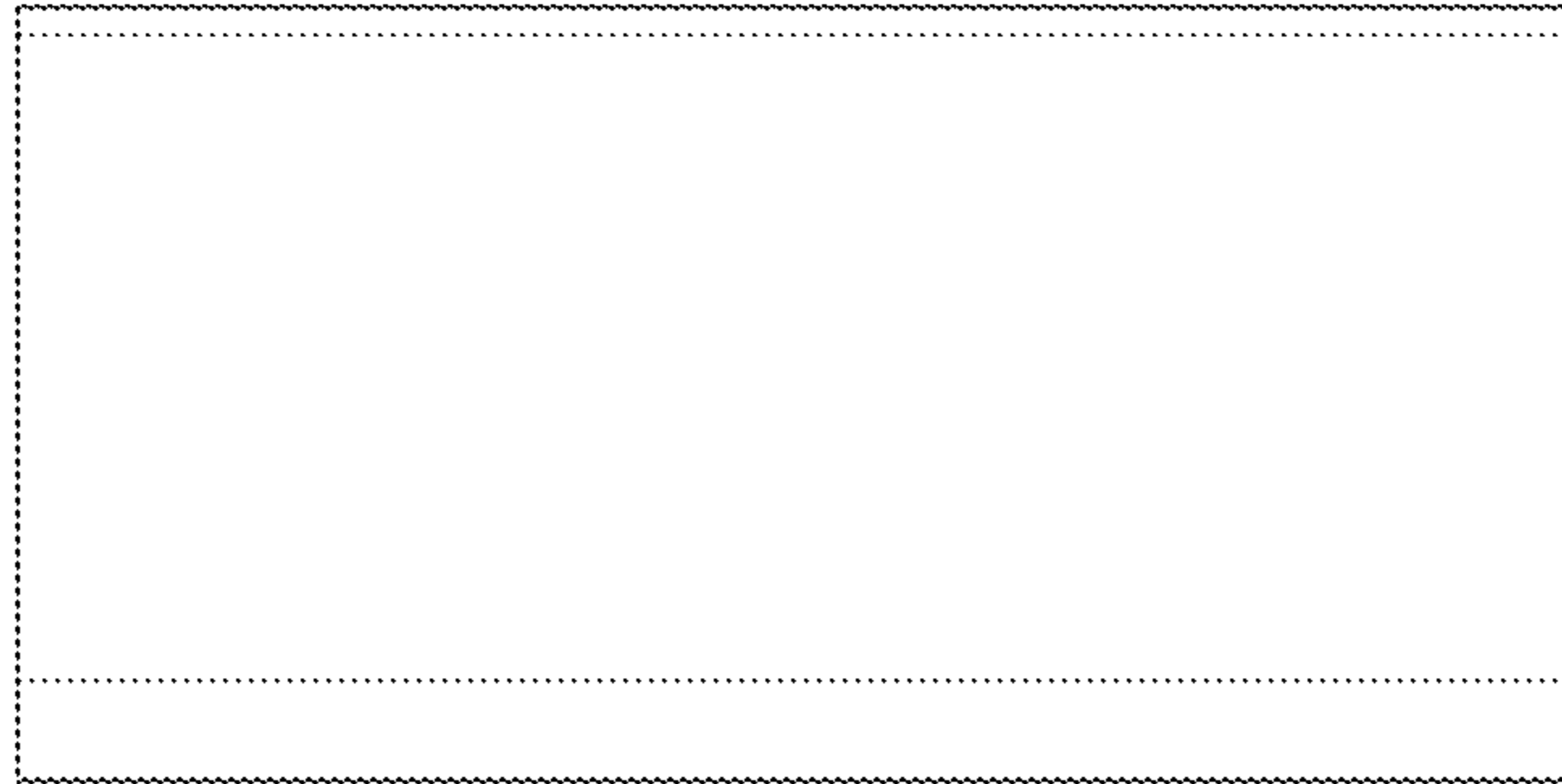


Fig. 5

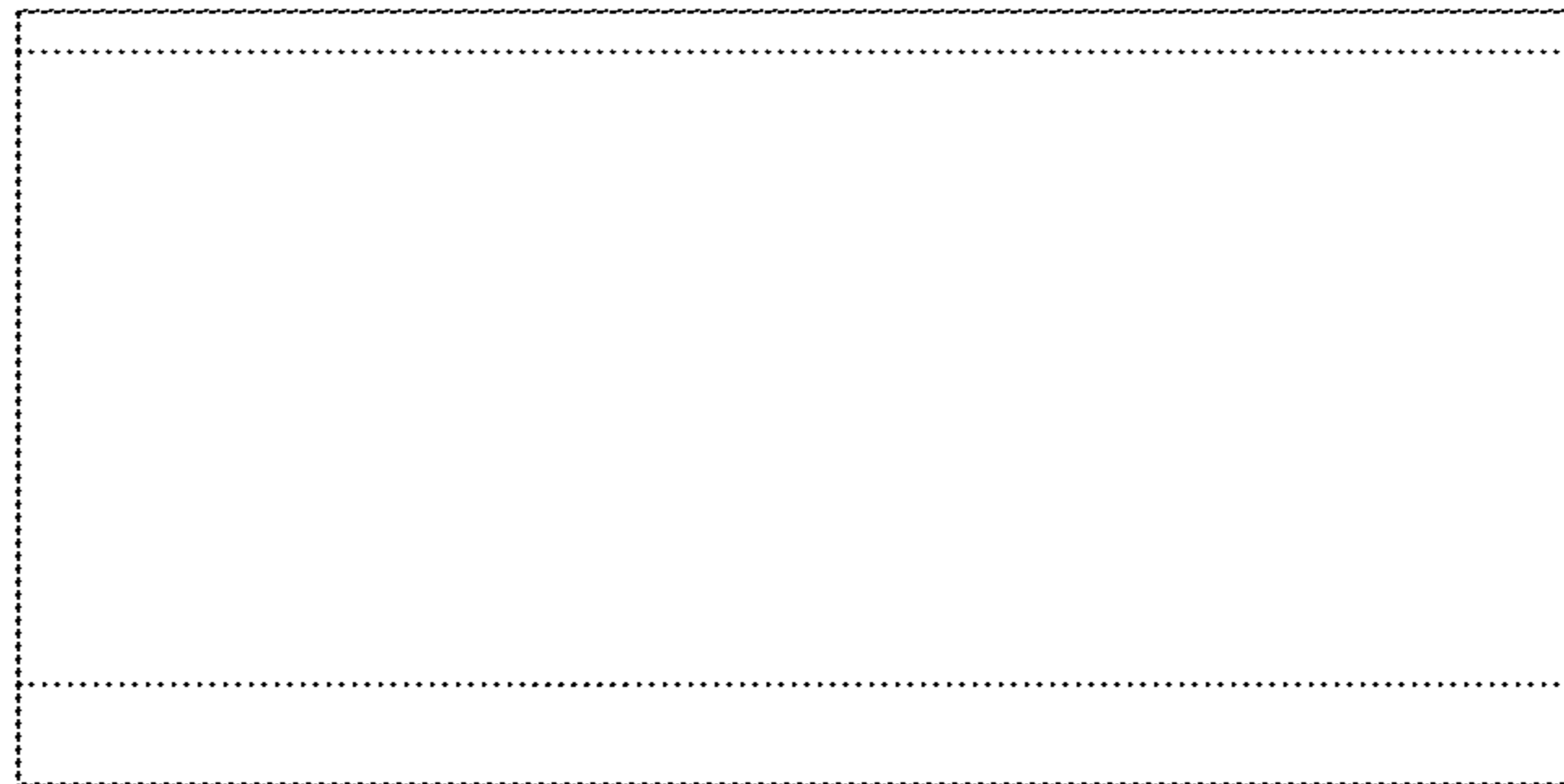


Fig. 6

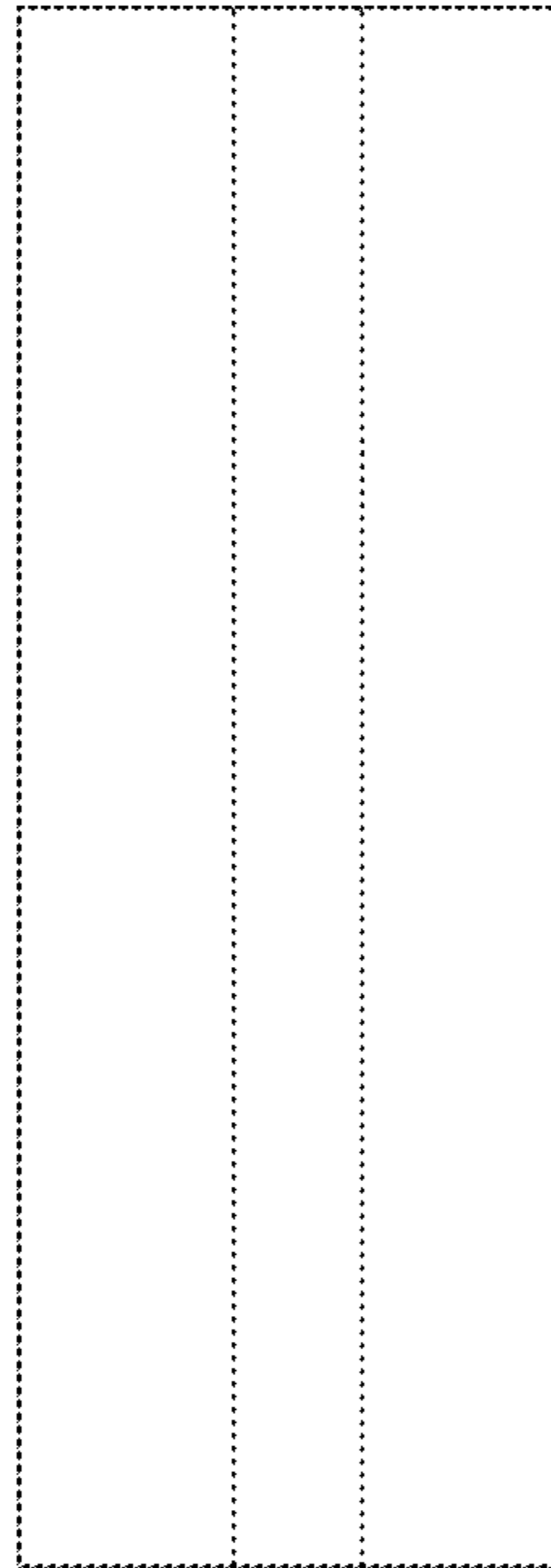


Fig. 7

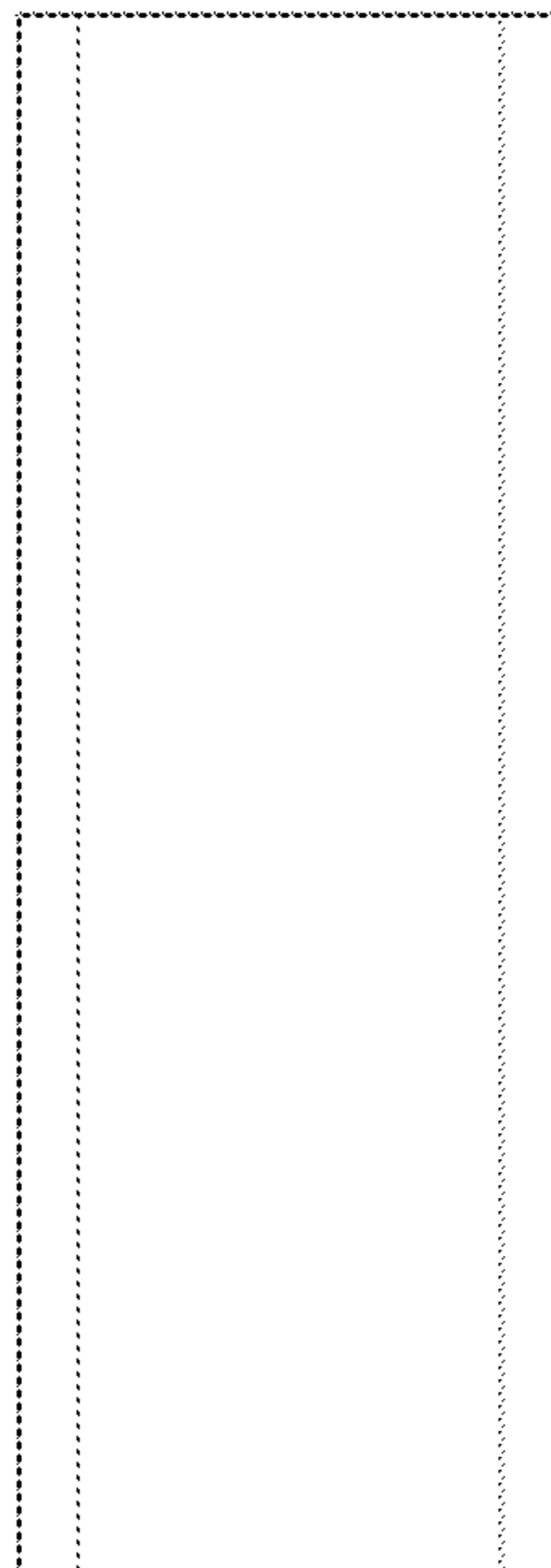


Fig. 8