



US00D887772S

(12) **United States Design Patent**
Ross

(10) **Patent No.:** **US D887,772 S**
(45) **Date of Patent:** **** Jun. 23, 2020**

(54) **LID**

OTHER PUBLICATIONS

(71) Applicant: **HIGHWAVE**, Oxnard, CA (US)

(72) Inventor: **Gary Ross**, Oxnard, CA (US)

(73) Assignee: **HIGHWAVE**, Oxnard, CA (US)

(**) Term: **15 Years**

(21) Appl. No.: **29/651,903**

(22) Filed: **Jun. 13, 2019**

(51) **LOC (12) Cl.** **07-01**

(52) **U.S. Cl.**
USPC **D7/392.1**

(58) **Field of Classification Search**
USPC D7/391, 392, 392.1, 396.1, 396.2, 509,
D7/510, 543; D9/435, 443, 447, 449,
D9/516
CPC B65D 47/122; D65D 43/0212
See application file for complete search history.

(56) **References Cited**

U.S. PATENT DOCUMENTS

D415,651 S *	10/1999	Trombly	D7/391
6,886,707 B2 *	5/2005	Giraud	B65D 43/0208
				220/254.1
D537,675 S *	3/2007	Khalifa	D7/392.1
D570,213 S *	6/2008	Newman	D9/447
D677,523 S *	3/2013	Blickert	D7/392.1
D737,139 S *	8/2015	Sokoly	D9/435
D761,649 S *	7/2016	Buck	D9/447
9,387,961 B2 *	7/2016	Mithal	B65D 43/0212
D792,738 S *	7/2017	Savenok	D7/392.1
2008/0011762 A1 *	1/2008	Boone	B65D 43/0212
				220/713
2012/0152968 A1 *	6/2012	Bailey	B65D 43/0212
				220/713
2013/0020338 A1 *	1/2013	French	B65D 43/0208
				220/713
2019/0315532 A1 *	10/2019	Boggs	B65D 43/0225

“CUPPOW! Reusable mason jar lid giveaway!”. Found online Aug. 18, 2015 at revivedkitchen.com. Page dated Feb. 1, 2013. Retrieved from <http://www.revivedkitchen.com/2013/02/cuppow-giveaway/>.
 “Kakolee: Travel Cup with Screw Top Lid”. Found online Mar. 9, 2017 at amazon.com. Page dated Sep. 25, 2016. Retrieved from https://www.amazon.com/...iodegradable-Perfect-Drinks/dp/B01LZ9PHKT/ref=sr_1_28?s=kitchen&ie=UTF8&qid=1488839412&sr=1-28-spons&refinements=p_72%3A1248918011&psc=1.
 “Green Bay Packers 16 oz. Tervis Tumbler Lid”. Found online Nov. 4, 2015 at packersproshop.com. Page dated Jan. 8, 2013. Retrieved from <http://www.packersproshop.com/Green-Bay-Packers-Home-And-Office/Kitchen-And-Drinkware/sku-20>.
 “Highwave JOEmoXL 16 oz. Stainless Steel Travel Mug”. Found online Nov. 6, 2019 at amazon.com. Page dated Oct. 2, 2003. Retrieved from https://www.amazon.com/...d_wg=M3uAA&pf_rd_p=5cfcfe89-300f-47d2-b1ad-a4e27203a02a&pf_rd_r=E3ZN3TNDMJWQQ5FBFHTJ&psc=1&refRID=E3ZN3TNDMJWQQ5FBFHTJ.

* cited by examiner

Primary Examiner — Kendra Leslie Hamilton
(74) *Attorney, Agent, or Firm* — Jonathan Grant; Grant Patent Service

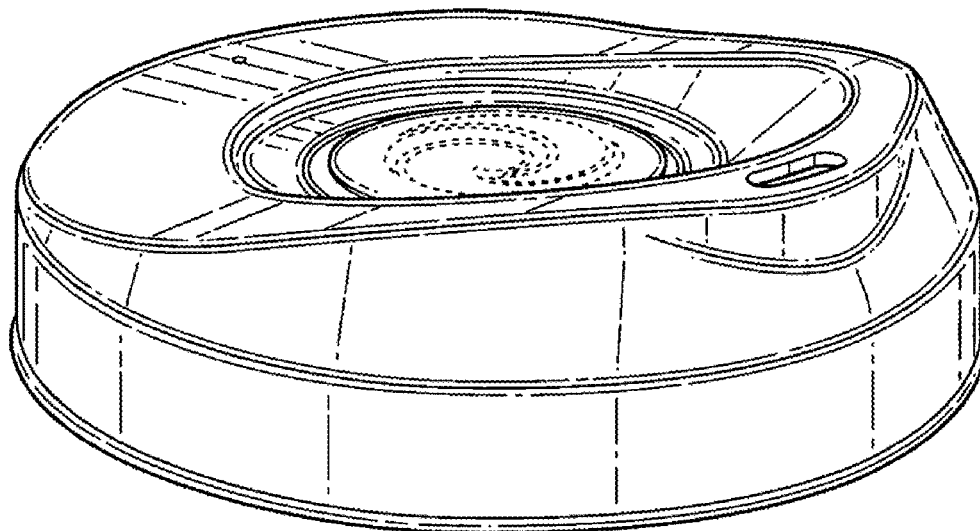
(57) **CLAIM**

The ornamental design for a lid, as shown and described.

DESCRIPTION

FIG. 1 is a top, front, right perspective view of a lid, showing the new design;
 FIG. 2—is a rear elevation view thereof;
 FIG. 3—is a front elevation view thereof;
 FIG. 4—is a left side elevation view thereof;
 FIG. 5—is a right side elevation view thereof;
 FIG. 6—is a bottom plan view thereof; and,
 FIG. 7—is a top plan view of the lid.
 The broken lines in the drawings depict portions of the lid that form no part of the claimed design.

1 Claim, 4 Drawing Sheets



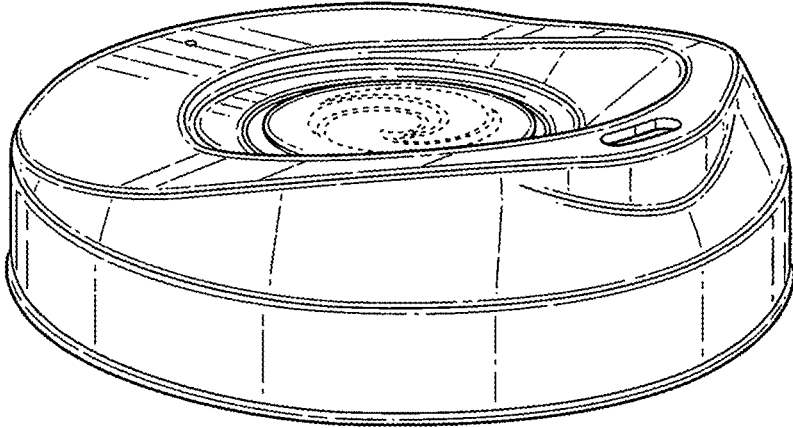


FIG. 1



FIG. 2

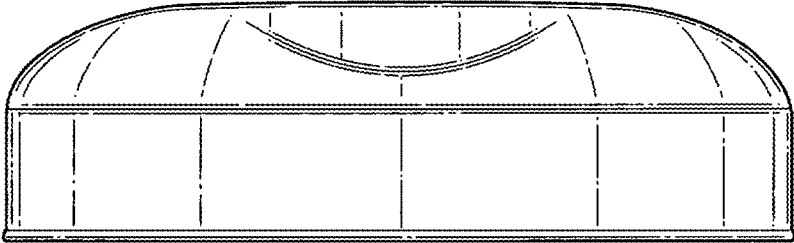


FIG. 3

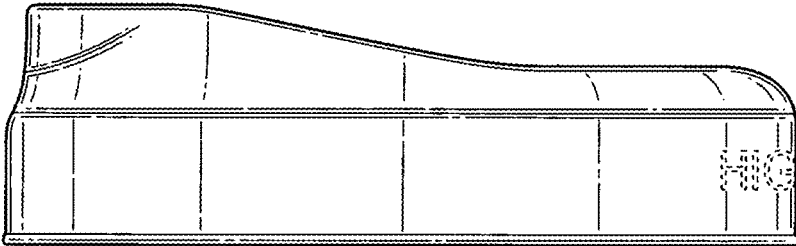


FIG. 4

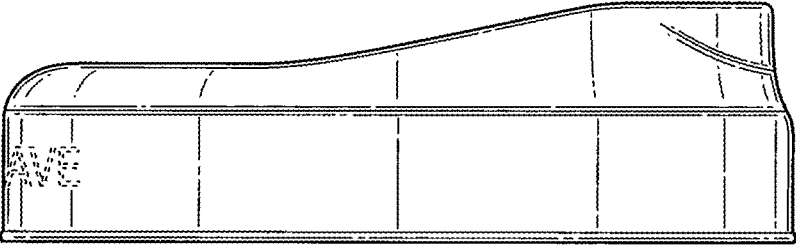


FIG. 5

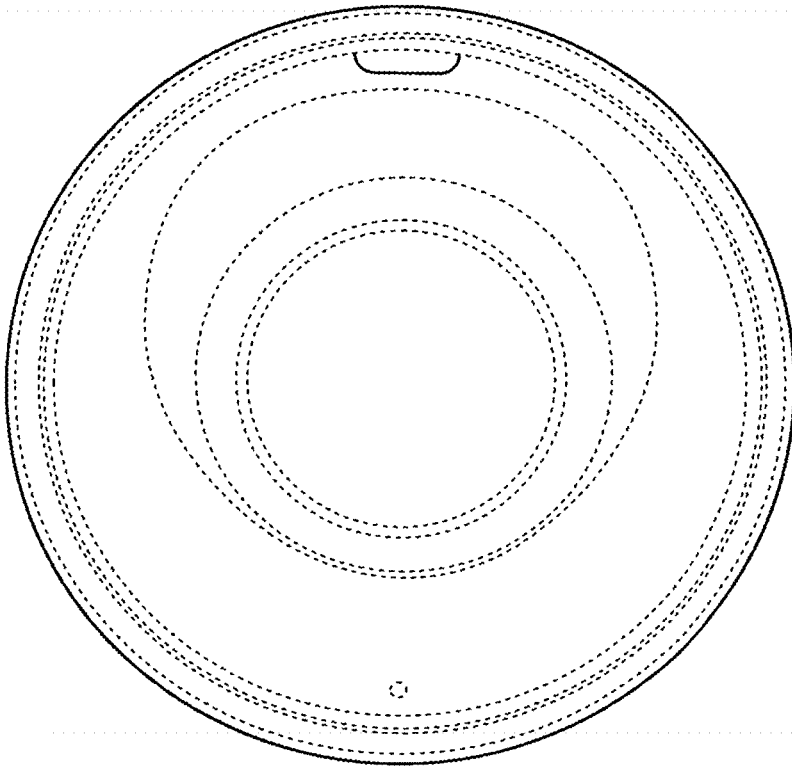


FIG. 6

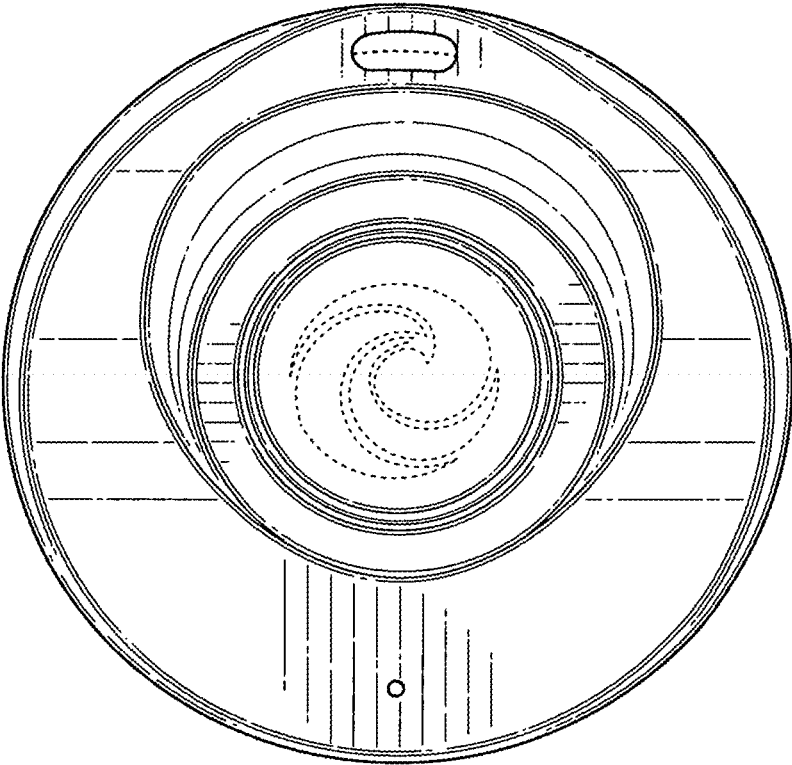


FIG. 7