

US00D543156S

(12) **United States Design Patent**  
**Suckle**

(10) **Patent No.:** **US D543,156 S**

(45) **Date of Patent:** **\*\* May 22, 2007**

- (54) **HDMI CABLE HEAD**
- (75) Inventor: **Mitchell Suckle**, Long Beach, CA (US)
- (73) Assignee: **Belkin International, Inc.**, Compton, CA (US)
- (\*\*) Term: **14 Years**

D513,408 S	*	1/2006	Suckle	.....	D13/154
D513,409 S	*	1/2006	Suckle	.....	D13/156
D516,032 S	*	2/2006	Suckle et al.	.....	D13/147
D519,464 S	*	4/2006	Suckle et al.	.....	D13/156
D520,457 S	*	5/2006	Wada et al.	.....	D13/156
D520,458 S	*	5/2006	Wada et al.	.....	D13/156
D520,459 S	*	5/2006	Kent et al.	.....	D13/156
D520,955 S	*	5/2006	Huang	.....	D13/147

\* cited by examiner

*Primary Examiner*—Alan P. Douglas  
*Assistant Examiner*—Rosemary K. Tarcza  
 (74) *Attorney, Agent, or Firm*—Bryan Cave LLP

- (21) Appl. No.: **29/241,782**
- (22) Filed: **Oct. 31, 2005**
- (51) **LOC (8) Cl.** ..... **13-03**
- (52) **U.S. Cl.** ..... **D13/154**
- (58) **Field of Classification Search** ..... D13/133,  
D13/146, 147, 154, 156, 184, 199; D14/433;  
439/447, 483, 606–610, 668, 669, 675, 676,  
439/680, 687, 750

See application file for complete search history.

(57) **CLAIM**

I claim the ornamental design for an HDMI cable head, as shown and described.

**DESCRIPTION**

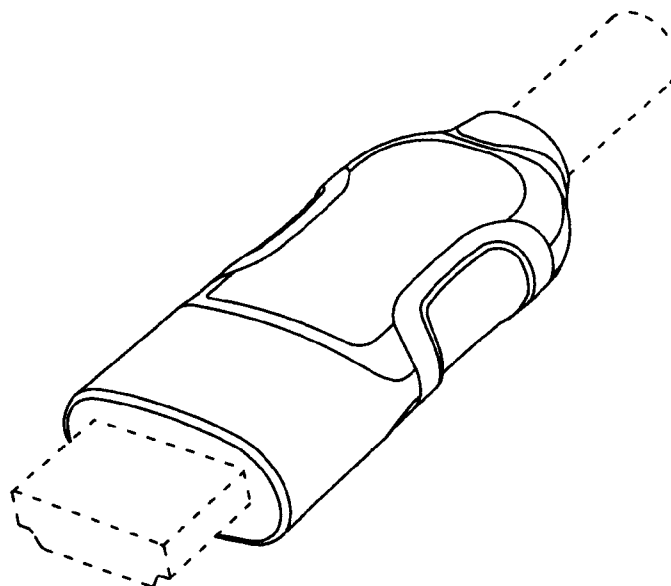
FIG. 1 is a front view of the HDMI cable head;  
 FIG. 2 is a rear view thereof;  
 FIG. 3 is a top view thereof, the bottom view (except for portions of the unclaimed features shown in broken lines) being a mirror image of the top view;  
 FIG. 4 is a left side elevational view thereof, the right side elevational view (except for portions of the unclaimed features shown in broken lines) being a mirror image of the left side elevational view;  
 FIG. 5 is a rear, right, top perspective view thereof; and,  
 FIG. 6 is a front, right, top perspective view thereof.  
 The broken lines in the drawings are for illustrative purposes only and form no part of the claimed design.

(56) **References Cited**

U.S. PATENT DOCUMENTS

D440,205 S	*	4/2001	Lord	.....	D13/147
D443,593 S	*	6/2001	Milan	.....	D13/154
D444,772 S	*	7/2001	Milan	.....	D13/154
D448,736 S	*	10/2001	Milan	.....	D13/154
D450,303 S	*	11/2001	Milan	.....	D13/154
D451,480 S	*	12/2001	Milan	.....	D13/154
D451,888 S	*	12/2001	Milan	.....	D13/154
D470,819 S	*	2/2003	Sass et al.	.....	D13/133
D471,156 S	*	3/2003	Sass et al.	.....	D13/133
D491,894 S	*	6/2004	Jiang	.....	D13/147
D507,540 S	*	7/2005	Suckle	.....	D13/154
D512,381 S	*	12/2005	Sirichai et al.	.....	D13/154

**1 Claim, 1 Drawing Sheet**



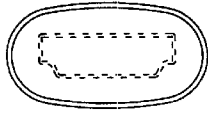


FIG. 1

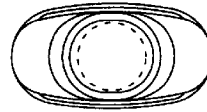


FIG. 2

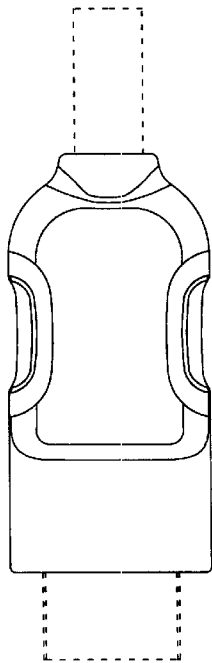


FIG. 3

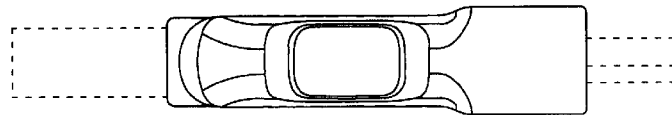


FIG. 4

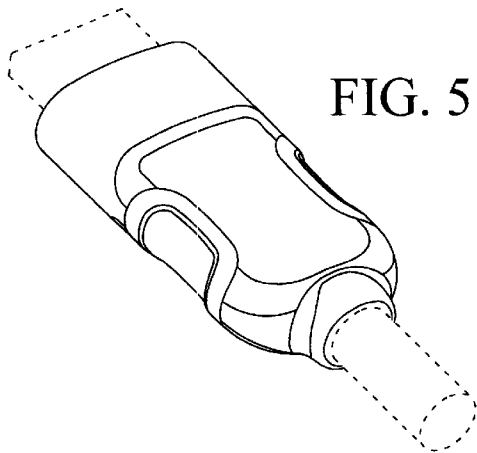


FIG. 5

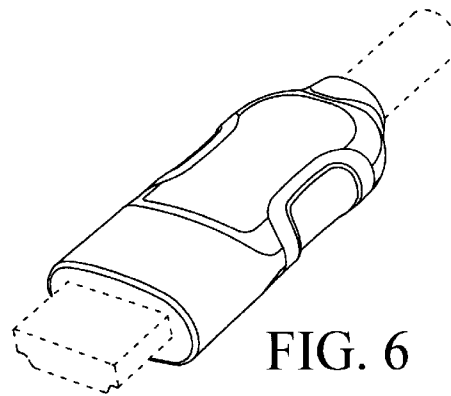


FIG. 6