



US00D914641S

(12) **United States Design Patent**
Bowers

(10) **Patent No.:** **US D914,641 S**

(45) **Date of Patent:** **** *Mar. 30, 2021**

- (54) **COVER FOR A REMOTE CONTROL**
- (71) Applicant: **Brett Bowers**, Ardrossan (CA)
- (72) Inventor: **Brett Bowers**, Ardrossan (CA)
- (*) Notice: This patent is subject to a terminal disclaimer.
- (**) Term: **15 Years**
- (21) Appl. No.: **29/681,583**
- (22) Filed: **Feb. 26, 2019**
- (30) **Foreign Application Priority Data**
 - Oct. 30, 2018 (CA) 184380
- (51) **LOC (13) Cl.** **14-03**
- (52) **U.S. Cl.**
 - USPC **D14/218**; D3/218
- (58) **Field of Classification Search**
 - USPC D13/168; D3/207, 215, 218; D8/356; D14/217, 218, 434; D19/34; D20/22, D20/23, 24, 27; D21/456, 597, 623, 657, D21/659, 694; D24/189; D11/5
 - CPC A45F 5/00; A45F 5/021; A45F 2005/008; A45F 2003/144; A45F 2200/0516; G09F 23/00

See application file for complete search history.

- 4,445,894 A * 5/1984 Kovacs A61M 25/02 128/DIG. 26
 - 4,489,867 A * 12/1984 Schwemberger A44C 5/0038 224/219
 - D280,529 S * 9/1985 Cox D19/141
 - 4,646,731 A * 3/1987 Brower A61B 17/085 602/57
 - D297,248 S * 8/1988 Barr D20/22
 - 4,976,056 A * 12/1990 Roberts G09F 3/10 40/638
 - D351,060 S * 10/1994 Randazzo D3/218
 - D369,606 S * 5/1996 Marks D14/218
 - D374,767 S * 10/1996 Leach D3/218
 - D381,023 S * 7/1997 Accardo D10/104.1
 - D384,669 S * 10/1997 Collier D14/218
 - D405,118 S * 2/1999 Murphy, Sr. D20/11
 - D412,706 S * 8/1999 Virost D14/217
 - D433,227 S * 11/2000 Evans D2/629
 - D455,255 S * 4/2002 Zeigler D3/218
 - D471,599 S * 3/2003 Manville D21/493
 - 6,559,350 B1 * 5/2003 Tetreault A61F 13/023 602/42
 - 6,606,768 B2 * 8/2003 Henry A45F 5/00 24/298
 - D491,168 S * 6/2004 Petrick D14/218
- (Continued)

Primary Examiner — Selina Sikder
(74) Attorney, Agent, or Firm — Sander R. Gelsing

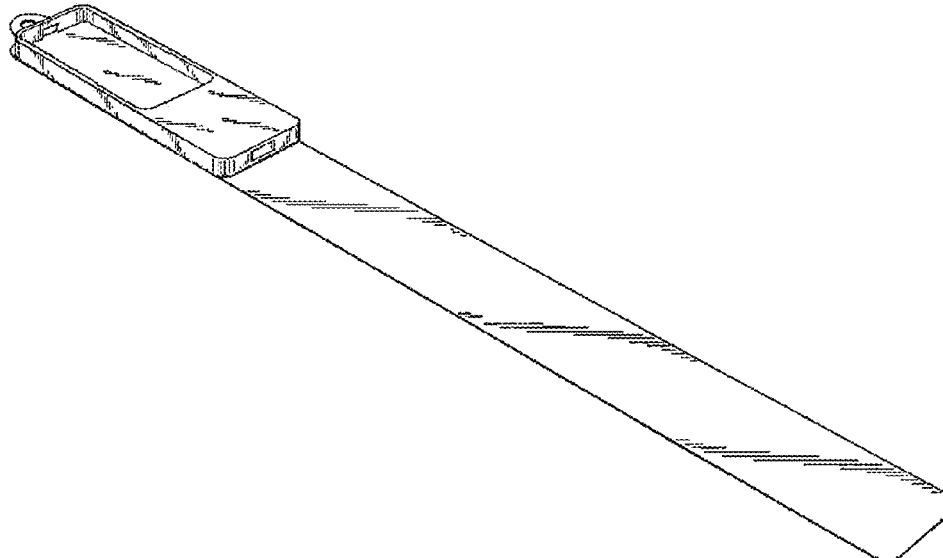
(57) **CLAIM**
The ornamental design for a cover for a remote control, as shown and described.

DESCRIPTION

FIG. 1 is a front elevation view of the cover for a remote control;
FIG. 2 is a side elevation view thereof;
FIG. 3 is rear elevation view thereof;
FIG. 4 is top plan view thereof;
FIG. 5 is a bottom plan view thereof; and,
FIG. 6 is a perspective view thereof.

1 Claim, 1 Drawing Sheet

- (56) **References Cited**
 - U.S. PATENT DOCUMENTS
 - D22,775 S * 9/1893 Best D19/34
 - I,266,296 A * 5/1918 Mark A63H 27/10 446/224
 - D144,564 S * 4/1946 Heil D19/34
 - D163,657 S * 6/1951 Wagner D19/34
 - 3,102,634 A * 9/1963 Borisof C09J 7/10 401/52
 - D272,931 S * 3/1984 Burgi D21/650



(56)

References Cited

U.S. PATENT DOCUMENTS

D505,785 S * 6/2005 Woody D3/215
D564,976 S * 3/2008 Billings D13/168
D570,101 S * 6/2008 Harris D3/218
D589,963 S * 4/2009 Sheba D14/217
7,524,307 B2 * 4/2009 Davis A61M 25/02
128/DIG. 26
D611,611 S * 3/2010 Sachi D24/189
D624,974 S * 10/2010 Taylor D21/592
D647,079 S * 10/2011 Woods D14/217
D656,544 S * 3/2012 Bensoussan D19/34
D666,409 S * 9/2012 Andre D3/218
D676,490 S * 2/2013 Bratter D19/1
D677,652 S * 3/2013 Gifford D14/217
D718,522 S * 12/2014 Larsen D3/215
D725,708 S * 3/2015 Williams D20/22
D743,565 S * 11/2015 Engel D24/189
D748,911 S * 2/2016 Grech D3/218
D762,263 S * 7/2016 Canchola D20/27
D811,729 S * 3/2018 Bysshe D3/218
D812,558 S * 3/2018 Park D13/107
D839,963 S * 2/2019 Canchola D20/22
D858,479 S * 9/2019 Saga D14/155
D885,587 S * 5/2020 Park D24/189
2001/0035121 A1 * 11/2001 Huling G09F 23/00
116/200

* cited by examiner



FIG. 1



FIG. 2



FIG. 3



FIG. 4

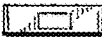


FIG. 5

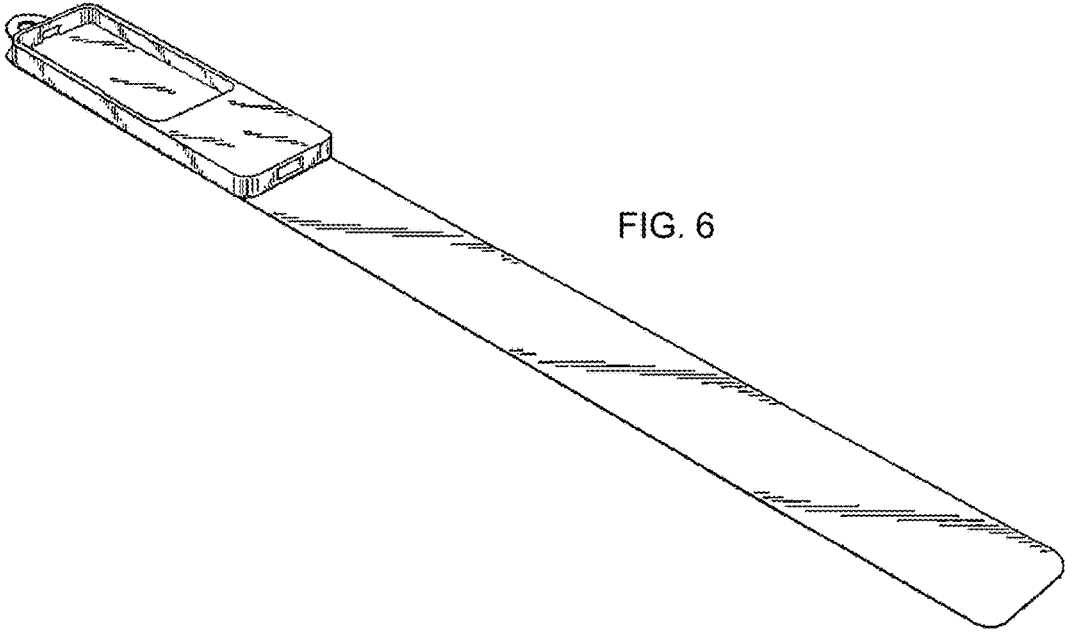


FIG. 6