



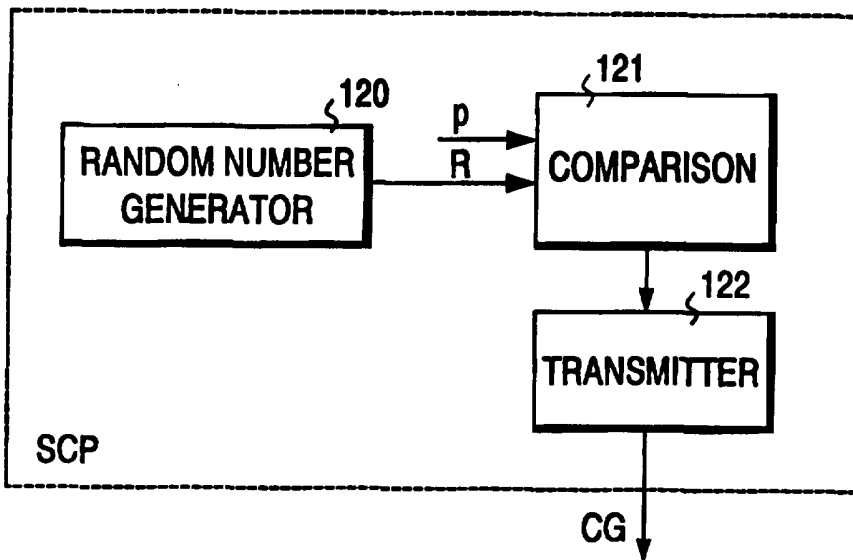
INTERNATIONAL APPLICATION PUBLISHED UNDER THE PATENT COOPERATION TREATY (PCT)

<p>(51) International Patent Classification ⁶ : H04L 12/56, H04Q 3/00, 3/66</p>	<p>A3</p>	<p>(11) International Publication Number: WO 96/15609 (43) International Publication Date: 23 May 1996 (23.05.96)</p>
<p>(21) International Application Number: PCT/FI95/00616 (22) International Filing Date: 10 November 1995 (10.11.95) (30) Priority Data: 945331 11 November 1994 (11.11.94) FI (71) Applicant (for all designated States except US): NOKIA TELECOMMUNICATIONS OY [FI/FI]; Mäkkylän puistotie 1, FIN-02600 Espoo (FI). (72) Inventor; and (75) Inventor/Applicant (for US only): GINZBOORG, Philip [IL/FI]; Viljelijäntie 4-6 C 81, FIN-00410 Helsinki (FI). (74) Agent: OY KOLSTER AB; Iso Roobertinkatu 23, P.O. Box 148, FIN-00121 Helsinki (FI).</p>	<p>(81) Designated States: AL, AM, AT, AU, BB, BG, BR, BY, CA, CH, CN, CZ, DE, DK, EE, ES, FI, GB, GE, HU, IS, JP, KE, KG, KP, KR, KZ, LK, LR, LS, LT, LU, LV, MD, MG, MK, MN, MW, MX, NO, NZ, PL, PT, RO, RU, SD, SE, SG, SI, SK, TJ, TM, TT, UA, UG, US, UZ, VN, European patent (AT, BE, CH, DE, DK, ES, FR, GB, GR, IE, IT, LU, MC, NL, PT, SE), OAPI patent (BF, BJ, CF, CG, CI, CM, GA, GN, ML, MR, NE, SN, TD, TG), ARIPO patent (KE, LS, MW, SD, SZ, UG). Published <i>With international search report.</i> (88) Date of publication of the international search report: 8 August 1996 (08.08.96)</p>	

(54) Title: OVERLOAD PREVENTION IN A TELECOMMUNICATIONS NETWORK NODE

(57) Abstract

The invention relates to a method of preventing an overload in a telecommunications network node. The network comprises at least one service node (CN; SCP) and at least one other node (PN; SSP) from which the service node receives service requests. According to the method, the service node transmits restriction requests (CG) to a node connected thereto, so that said node would restrict the number of service requests it transmits towards the service node. The restriction request comprises information on how the node should perform the restriction. A restriction request is transmitted at least whenever said information changes. In order to provide a simple and reliable method, the service node transmits a restriction request to a predetermined proportion of the total number of the service request messages fulfilling the criteria given, whereupon each individual service request message has a predetermined probability of triggering the transmission of a restriction request, the probabilities being selected in such a way that the total number of the restriction requests is smaller than the total number of the service requests.



FOR THE PURPOSES OF INFORMATION ONLY

Codes used to identify States party to the PCT on the front pages of pamphlets publishing international applications under the PCT.

AT	Austria	GB	United Kingdom	MR	Mauritania
AU	Australia	GE	Georgia	MW	Malawi
BB	Barbados	GN	Guinea	NE	Niger
BE	Belgium	GR	Greece	NL	Netherlands
BF	Burkina Faso	HU	Hungary	NO	Norway
BG	Bulgaria	IE	Ireland	NZ	New Zealand
BJ	Benin	IT	Italy	PL	Poland
BR	Brazil	JP	Japan	PT	Portugal
BY	Belarus	KE	Kenya	RO	Romania
CA	Canada	KG	Kyrgystan	RU	Russian Federation
CF	Central African Republic	KP	Democratic People's Republic of Korea	SD	Sudan
CG	Congo	KR	Republic of Korea	SE	Sweden
CH	Switzerland	KZ	Kazakhstan	SI	Slovenia
CI	Côte d'Ivoire	LI	Liechtenstein	SK	Slovakia
CM	Cameroon	LK	Sri Lanka	SN	Senegal
CN	China	LU	Luxembourg	TD	Chad
CS	Czechoslovakia	LV	Latvia	TG	Togo
CZ	Czech Republic	MC	Monaco	TJ	Tajikistan
DE	Germany	MD	Republic of Moldova	TT	Trinidad and Tobago
DK	Denmark	MG	Madagascar	UA	Ukraine
ES	Spain	ML	Mali	US	United States of America
FI	Finland	MN	Mongolia	UZ	Uzbekistan
FR	France			VN	Viet Nam
GA	Gabon				

INTERNATIONAL SEARCH REPORT

International application No.

PCT/FI 95/00616

A. CLASSIFICATION OF SUBJECT MATTER

IPC6: H04L 12/56, H04Q 3/00, H04Q 3/66

According to International Patent Classification (IPC) or to both national classification and IPC

B. FIELDS SEARCHED

Minimum documentation searched (classification system followed by classification symbols)

IPC6: H04L, H04Q

Documentation searched other than minimum documentation to the extent that such documents are included in the fields searched

SE,DK,FI,NO classes as above

Electronic data base consulted during the international search (name of data base and, where practicable, search terms used)

C. DOCUMENTS CONSIDERED TO BE RELEVANT

Category*	Citation of document, with indication, where appropriate, of the relevant passages	Relevant to claim No.
A	EP 0425202 A2 (AMERICAN TELEPHONE AND TELEGRAPH COMPANY), 2 May 1991 (02.05.91), column 3, line 25 - column 5, line 17 --	1-11
A	Proceedings of the IEEE, Volume 80, No 4, April 1992, B. Jabbari, "Routing and Congestion Control in Common Channel Signaling System No. 7" page 607 - page 617 --	1-11
P,A	US 5425086 A (TAKASHI HIDAKA ET AL), 13 June 1995 (13.06.95), abstract --	1-11



Further documents are listed in the continuation of Box C.



See patent family annex.

* Special categories of cited documents:

- "A" document defining the general state of the art which is not considered to be of particular relevance
- "E" earlier document but published on or after the international filing date
- "L" document which may throw doubts on priority claim(s) or which is cited to establish the publication date of another citation or other special reason (as specified)
- "O" document referring to an oral disclosure, use, exhibition or other means
- "P" document published prior to the international filing date but later than the priority date claimed

"T" later document published after the international filing date or priority date and not in conflict with the application but cited to understand the principle or theory underlying the invention

"X" document of particular relevance: the claimed invention cannot be considered novel or cannot be considered to involve an inventive step when the document is taken alone

"Y" document of particular relevance: the claimed invention cannot be considered to involve an inventive step when the document is combined with one or more other such documents, such combination being obvious to a person skilled in the art

"&" document member of the same patent family

Date of the actual completion of the international search

4 June 1996

Date of mailing of the international search report

04-06-1996

Name and mailing address of the ISA/
Swedish Patent Office
Box 5055, S-102 42 STOCKHOLM
Facsimile No. +46 8 666 02 86

Authorized officer

Göran Magnusson
Telephone No. +46 8 782 25 00

INTERNATIONAL SEARCH REPORT

International application No.

PCT/FI 95/00616

C (Continuation). DOCUMENTS CONSIDERED TO BE RELEVANT

Category*	Citation of document, with indication, where appropriate, of the relevant passages	Relevant to claim No.
A	US 5029164 A (FRED R. GOLDSTEIN ET AL), 2 July 1991 (02.07.91), abstract --	1-11
A	US 5309431 A (SUSUMU TOMINAGA ET AL), 3 May 1994 (03.05.94), abstract -- -----	1-11

INTERNATIONAL SEARCH REPORT
Information on patent family members

01/04/96

International application No.
PCT/FI 95/00616

Patent document cited in search report	Publication date	Patent family member(s)	Publication date
EP-A2- 0425202	02/05/91	CA-A, C- 2024305	28/04/91
		JP-A- 3153149	01/07/91
		US-A- 5067074	19/11/91
US-A- 5425086	13/06/95	CA-A- 2078497	19/03/93
		JP-A- 5073371	26/03/93
		JP-A- 5145959	11/06/93
US-A- 5029164	02/07/91	AU-B, B- 630796	05/11/92
		AU-A- 7367991	17/10/91
		CA-A- 2038769	14/10/91
		EP-A, A, A 0453355	23/10/91
		JP-A- 5091124	09/04/93
US-A- 5309431	03/05/94	CA-A- 2038458	20/09/91
		EP-A, A, A 0448049	25/09/91
		JP-A- 3268541	29/11/91
		JP-A- 3270439	02/12/91