



US00D883432S

(12) **United States Design Patent** (10) **Patent No.:** **US D883,432 S**
Stein et al. (45) **Date of Patent:** **** *May 5, 2020**

(54) **JET REGULATOR**
(71) Applicant: **NEOPERL GMBH**, Müllheim (DE)
(72) Inventors: **Alexander Stein**, Ihringen (DE); **Simon Twitchett**, Kidderminster (GB)
(73) Assignee: **Neoperl GmbH**, Müllheim (DE)
(*) Notice: This patent is subject to a terminal disclaimer.
(**) Term: **15 Years**
(21) Appl. No.: **35/502,865**
(22) Filed: **Mar. 10, 2017**

(80) **Hague Agreement Data**

Int. Filing Date: **Mar. 10, 2017**
Int. Reg. No.: **DM/095638**
Int. Reg. Date: **Mar. 10, 2017**
Int. Reg. Pub. Date: **Apr. 28, 2017**

(51) **LOC (12) CL.** **23-01**
(52) **U.S. Cl.**
USPC **D23/213**
(58) **Field of Classification Search**
USPC D23/213, 229, 233, 235, 247-249
CPC B05B 7/0425; E03C 1/08; E03C 1/084;
E03C 1/086; E03C 2001/026
See application file for complete search history.

(56) **References Cited**

U.S. PATENT DOCUMENTS

D539,873 S * 4/2007 Grether E03C 1/084
D23/249
D550,814 S * 9/2007 Grether D23/249

D684,241 S * 6/2013 Tempel D23/213
D752,710 S * 3/2016 Tempel D23/213
D753,792 S * 4/2016 Blum D23/213
D776,242 S * 1/2017 Blum D23/213
D788,264 S * 5/2017 Stein D23/213
D844,747 S * 4/2019 Blum D23/213
2011/0278380 A1 11/2011 Zoller
2016/0222637 A1* 8/2016 Stein E03C 1/084

* cited by examiner

Primary Examiner — Keli L Hill

(74) *Attorney, Agent, or Firm* — Volpe and Koenig, P.C.

(57) **CLAIM**

The ornamental design for a jet regulator, as shown and described.

DESCRIPTION

The patent or application file contains at least one drawing executed in color. Copies of this patent or patent application publication with color drawing(s) will be provided by the Office upon request and payment of the necessary fee.

6. Jet regulator

6.1 : Front

6.2 : Left

6.3 : Back

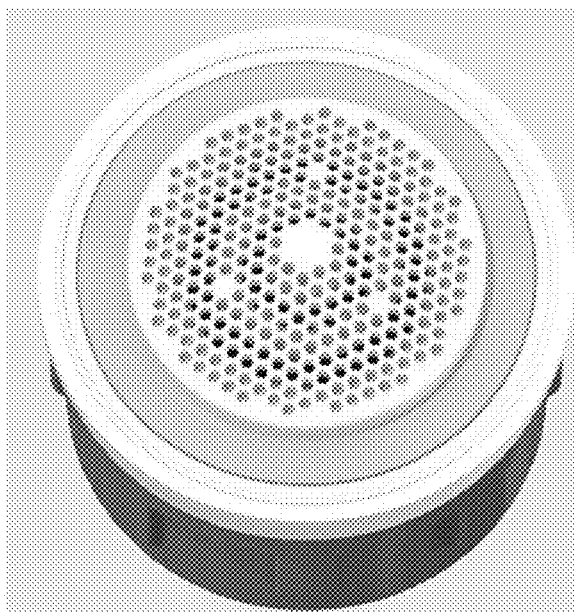
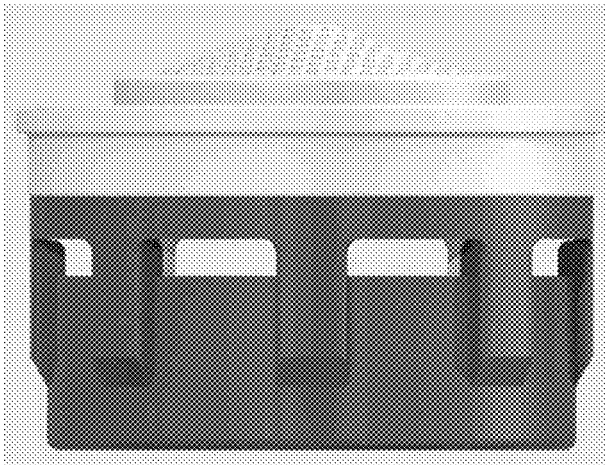
6.4 : Right

6.5 : Top

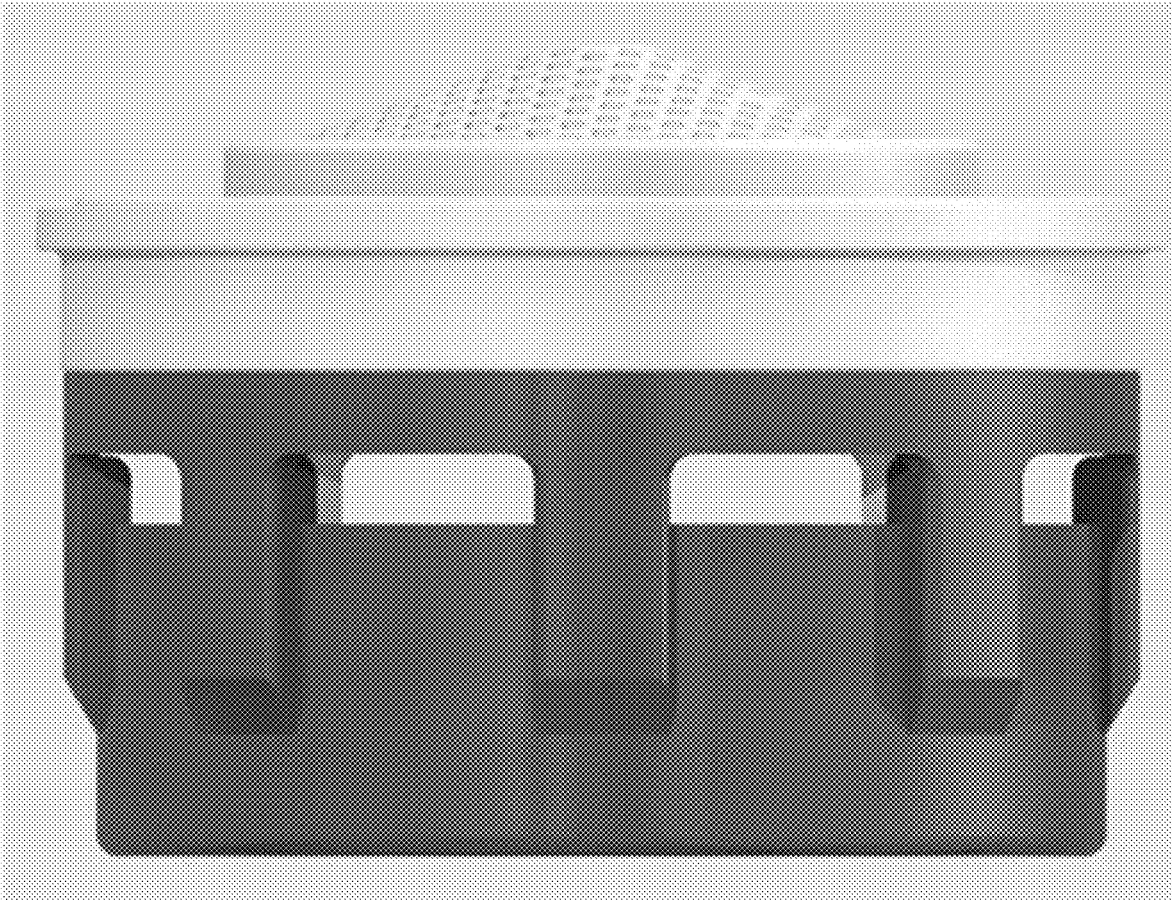
6.6 : Perspective

The yellow color applied to the top annular ring in 6.5 and 6.6 forms part of the claimed design. The internal features seen through the hexagonal grill openings in 6.5. and 6.6 form no part of the claimed design.

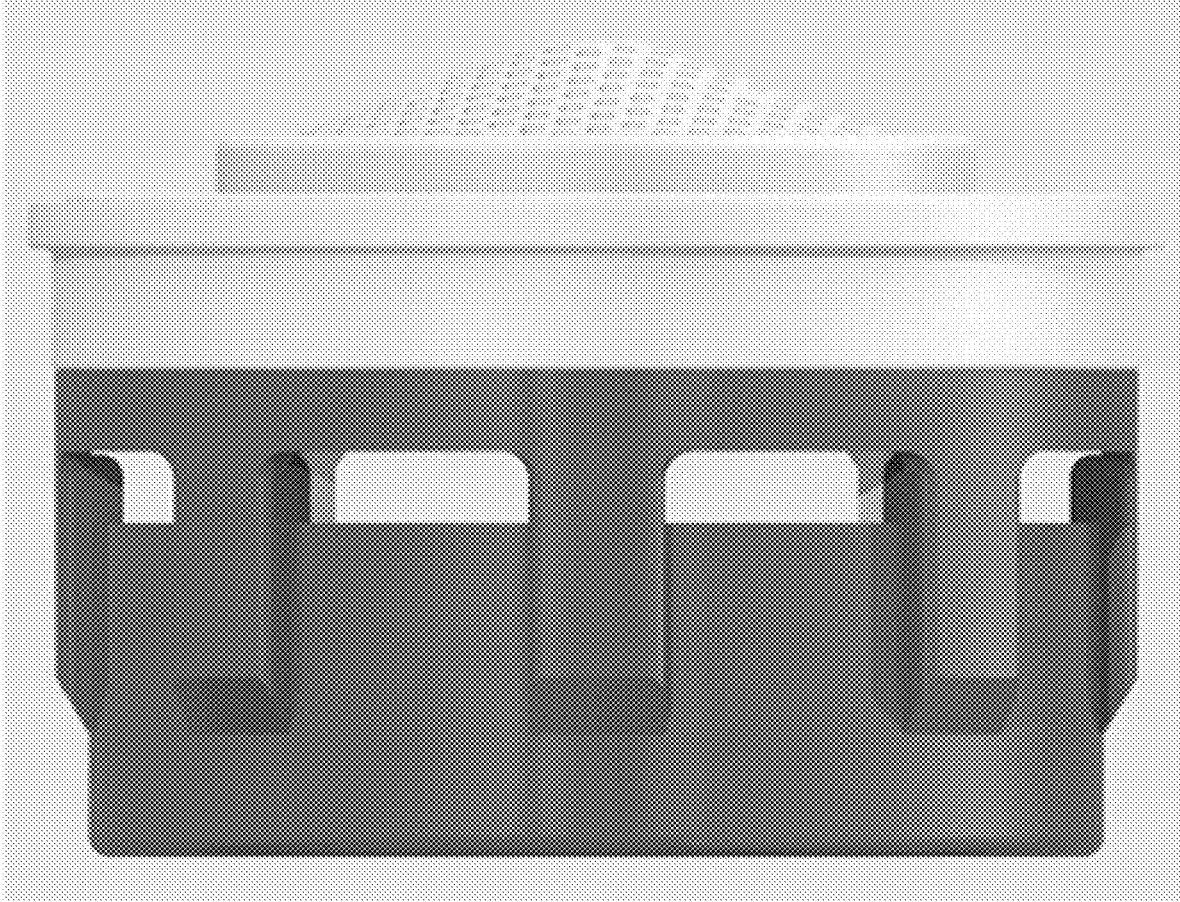
1 Claim, 6 Drawing Sheets
(2 of 6 Drawing Sheet(s) Filed in Color)



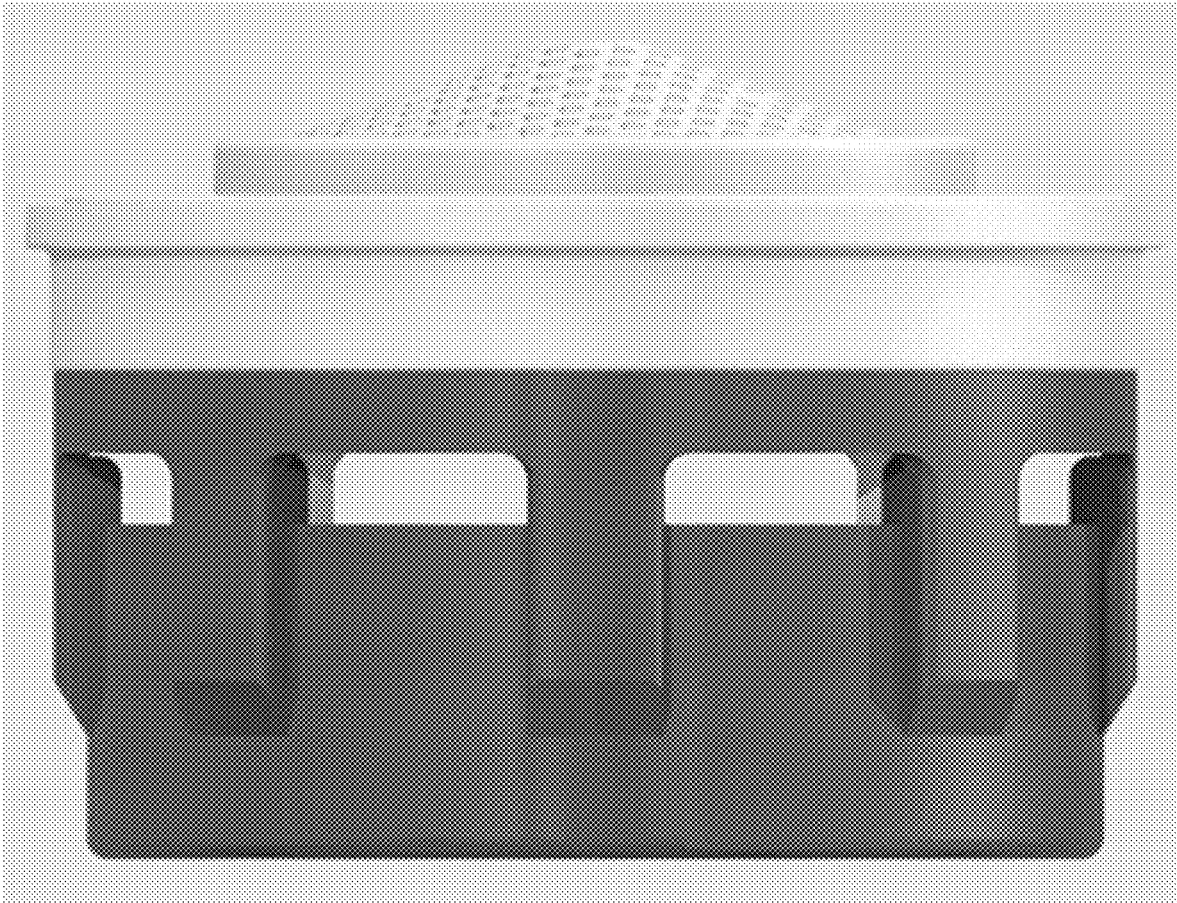
6.1



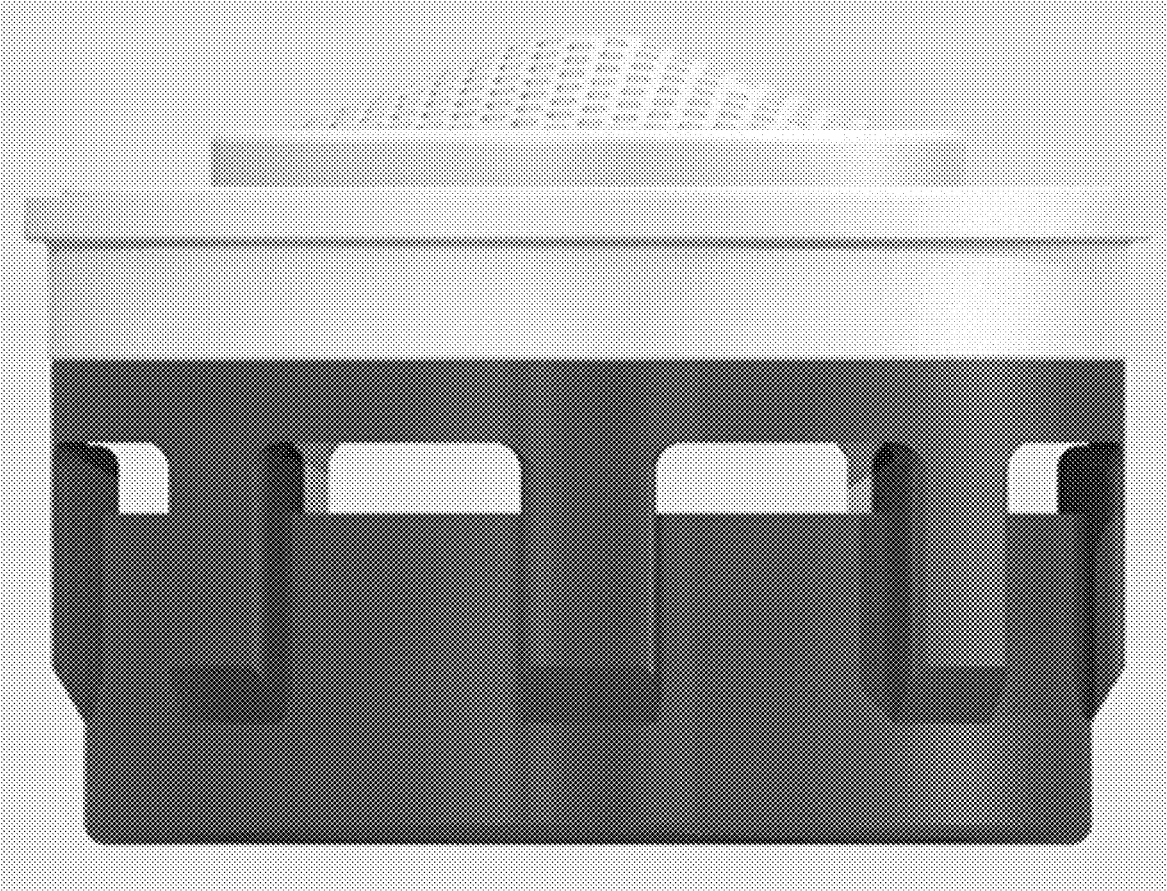
6.2



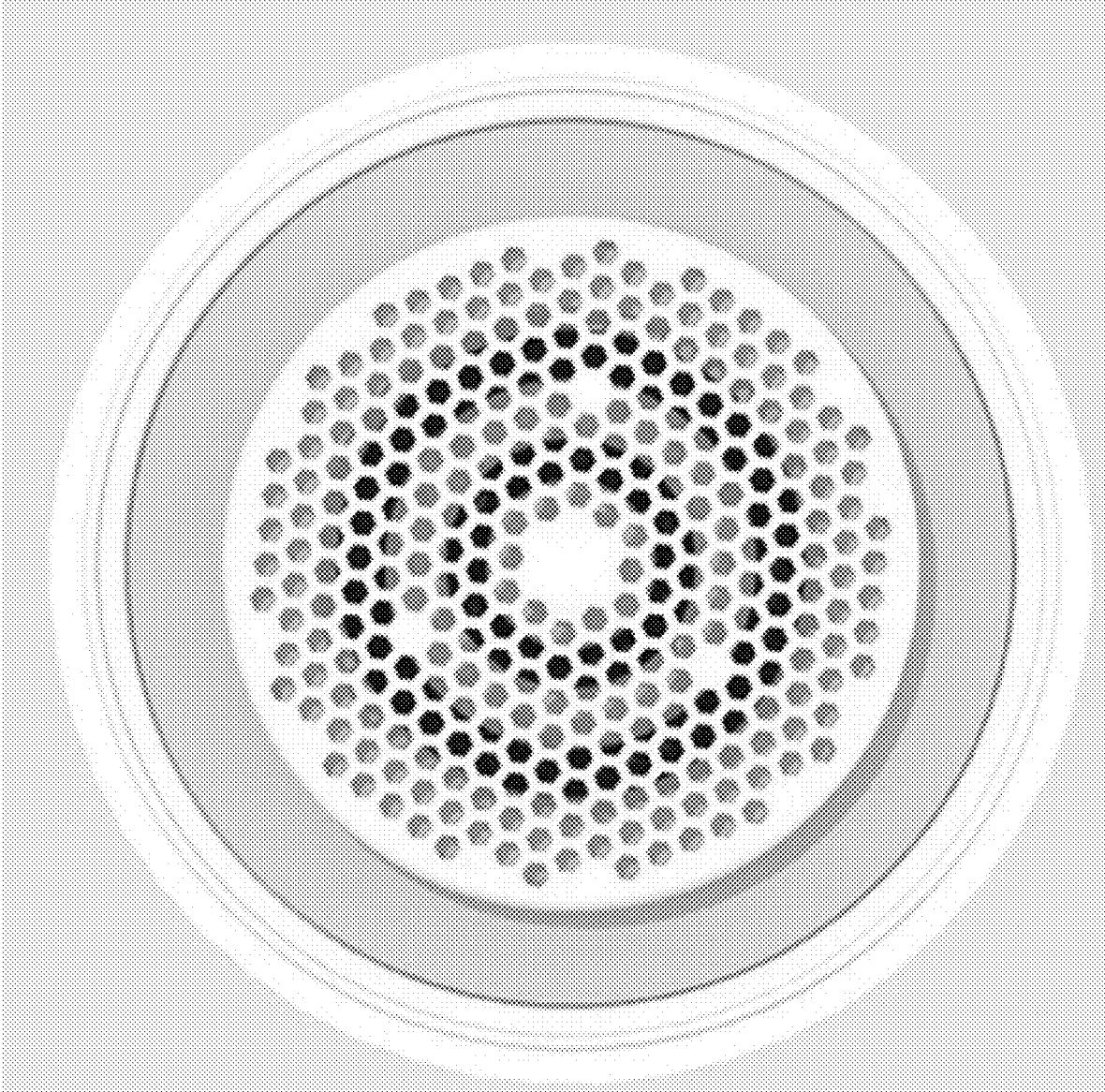
6.3



6.4



6.5



6.6

