



US00D827149S

(12) **United States Design Patent**
Self et al.

(10) **Patent No.:** US D827,149 S

(45) **Date of Patent:** ** Aug. 28, 2018

- (54) **PROCESS PLATE**
- (71) Applicant: **Becton, Dickinson and Company**,
Franklin Lakes, NJ (US)
- (72) Inventors: **Brian A. Self**, Monkton, MD (US);
Dwight Livingston, Fallston, MD (US)
- (73) Assignee: **Becton, Dickinson and Company**,
Franklin Lakes, NJ (US)

D699,371 S *	2/2014	Williams	D24/230
8,728,415 B2 *	5/2014	Seippel	B01L 3/5085 422/553
D710,024 S *	7/2014	Guo	D24/230
D718,465 S *	11/2014	Tajima	D24/224
D729,942 S *	5/2015	Keizer	D24/226
9,180,456 B2 *	11/2015	Malinoski	C08L 67/02
D778,459 S *	2/2017	Tajima	D24/224
D792,981 S *	7/2017	Tajima	D24/224
D793,573 S *	8/2017	Karmeniemi	D24/226

- (**) Term: **15 Years**
- (21) Appl. No.: **29/575,809**
- (22) Filed: **Aug. 29, 2016**

Related U.S. Application Data

- (63) Continuation-in-part of application No. 29/564,484,
filed on May 13, 2016.
- (51) **LOC (11) Cl.** **24-02**
- (52) **U.S. Cl.**
USPC **D24/224**
- (58) **Field of Classification Search**
USPC D24/224; 422/562, 561, 560, 564, 500
CPC B01L 3/5085; A61B 10/0096; A61B
10/0038; A61B 10/02
See application file for complete search history.

References Cited

U.S. PATENT DOCUMENTS

6,601,725 B2 *	8/2003	Lafond	B01L 3/50853 220/23.4
D574,506 S *	8/2008	Monks	D24/224
D608,013 S *	1/2010	Coulling	D24/224
D618,820 S *	6/2010	Wilson	D24/227
D624,194 S *	9/2010	Pack	D24/224
D673,294 S *	12/2012	Motadel	D24/227
D690,027 S *	9/2013	Motadel	D24/227

FOREIGN PATENT DOCUMENTS

AU 201614442 C1 11/2016

* cited by examiner

Primary Examiner — Susan Bennett Hattan
Assistant Examiner — Rebecca Tsehaye
(74) *Attorney, Agent, or Firm* — Lerner, David,
Littenberg, Krumholz & Mentlik, LLP

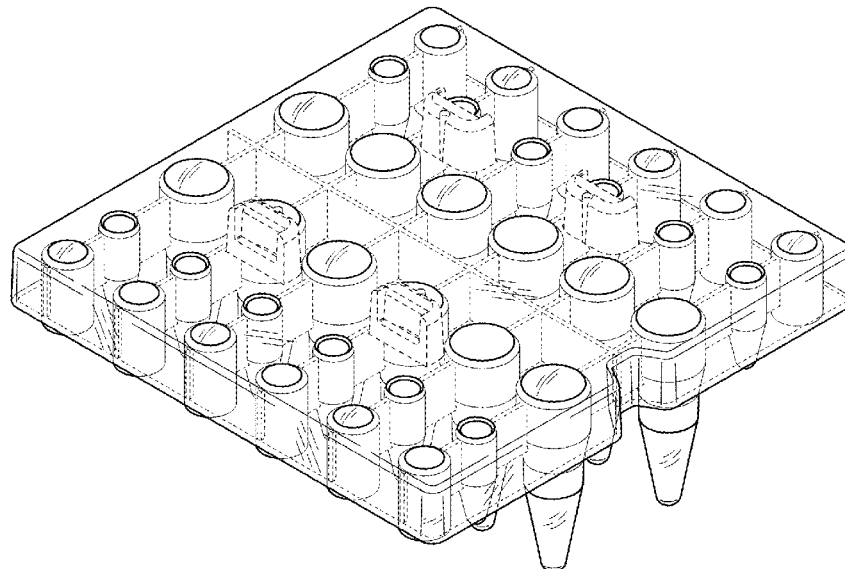
(57) **CLAIM**

The ornamental design for a process plate, as shown and described.

DESCRIPTION

FIG. 1 is a front perspective view of a process plate according to our design;
FIG. 2 is a front elevational view thereof;
FIG. 3 is a rear elevational view thereof;
FIG. 4 is a right side elevational view thereof;
FIG. 5 is a left side elevational view thereof;
FIG. 6 is a top plan view thereof; and,
FIG. 7 is a bottom plan view thereof.
The broken lines illustrate unclaimed environmental structure and form no part of the claimed design. The oblique shade lines shown in the drawings indicate a transparent surface.

1 Claim, 4 Drawing Sheets



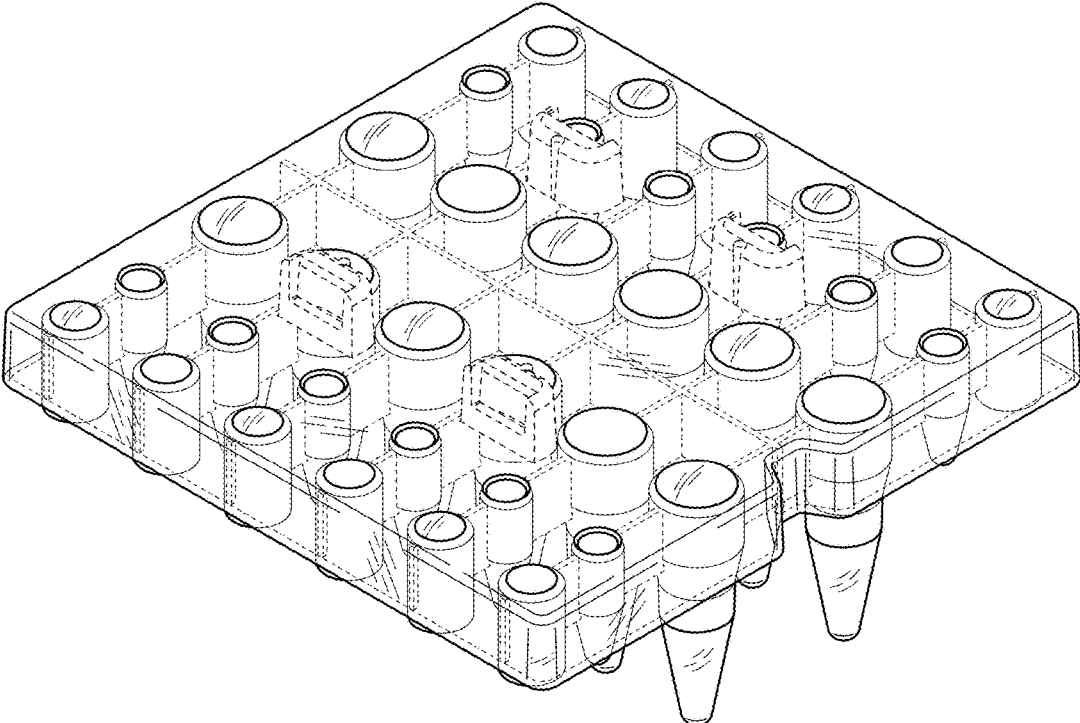


FIG. 1

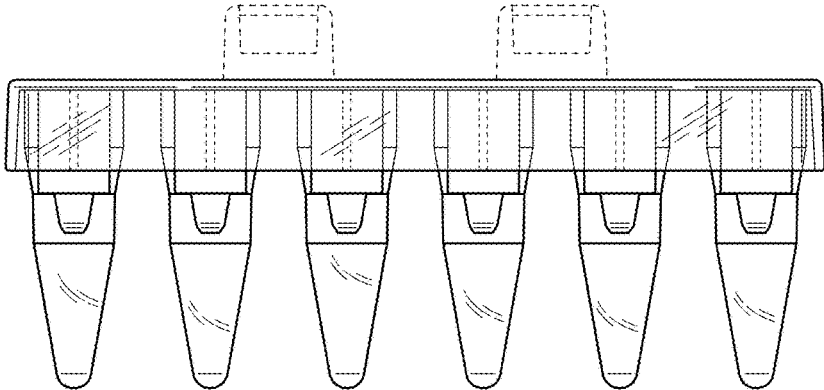


FIG. 2

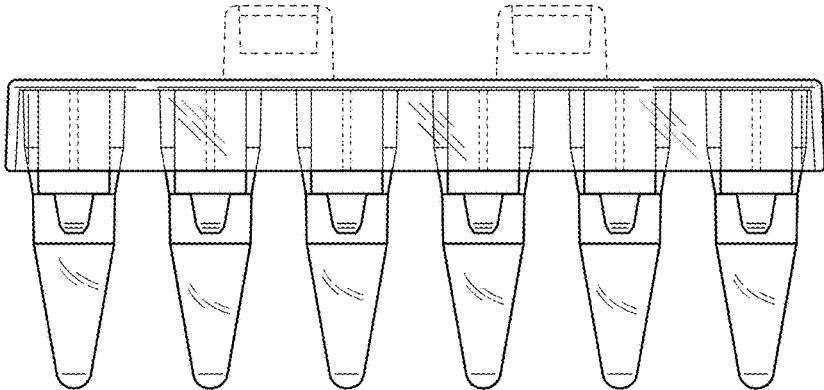


FIG. 3

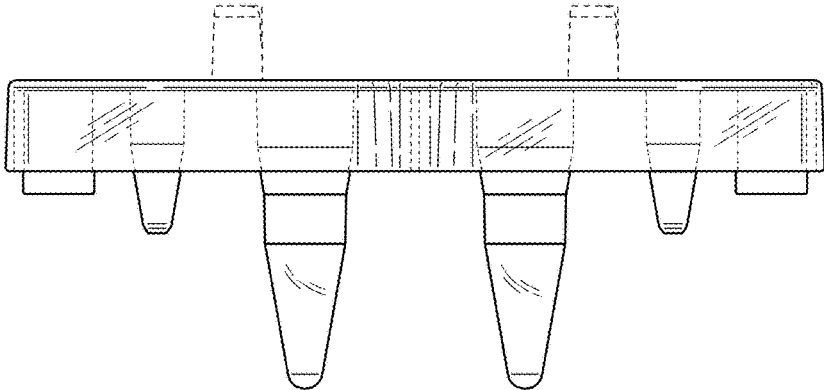


FIG. 4

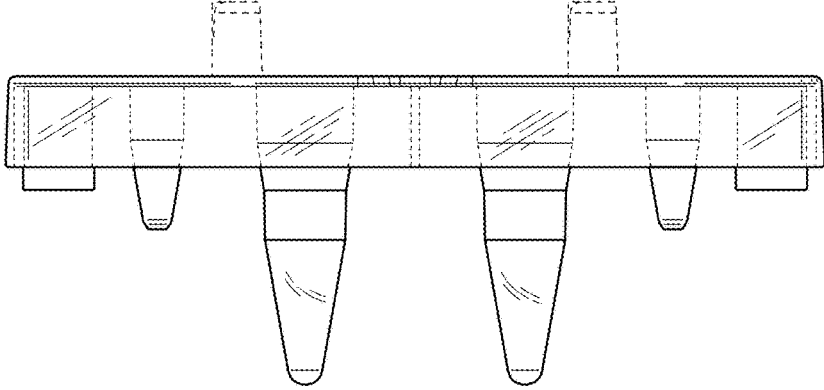


FIG. 5

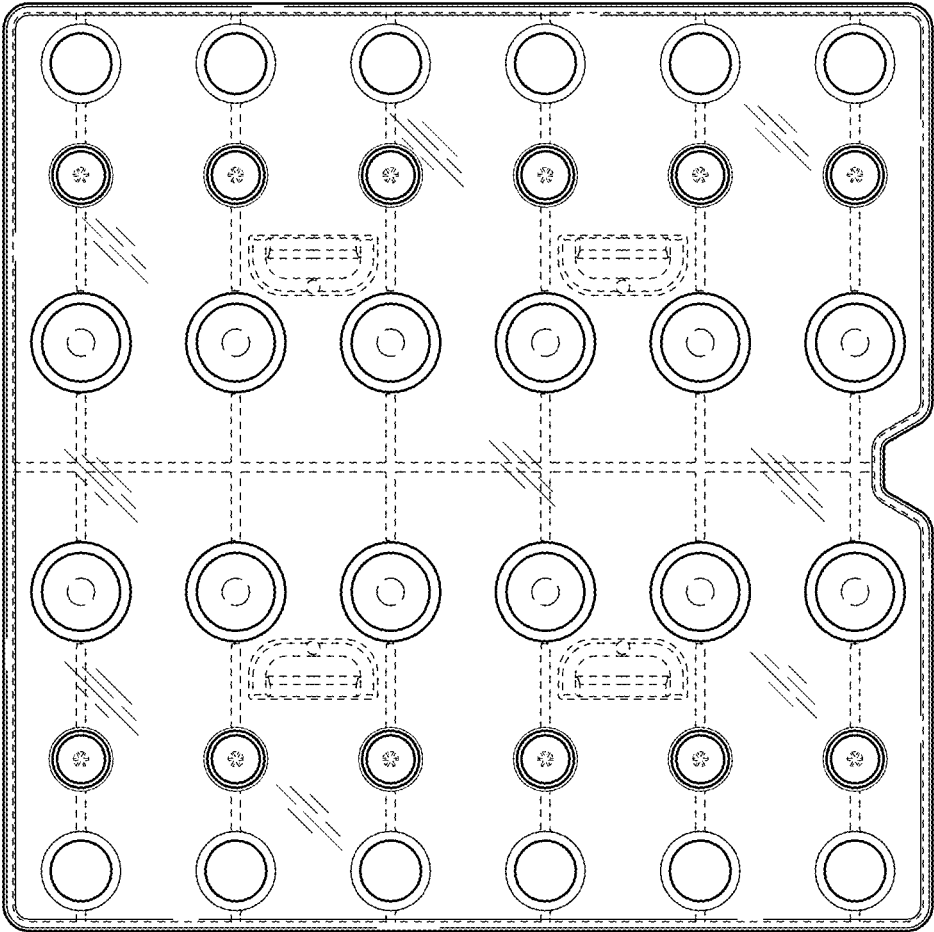


FIG. 6

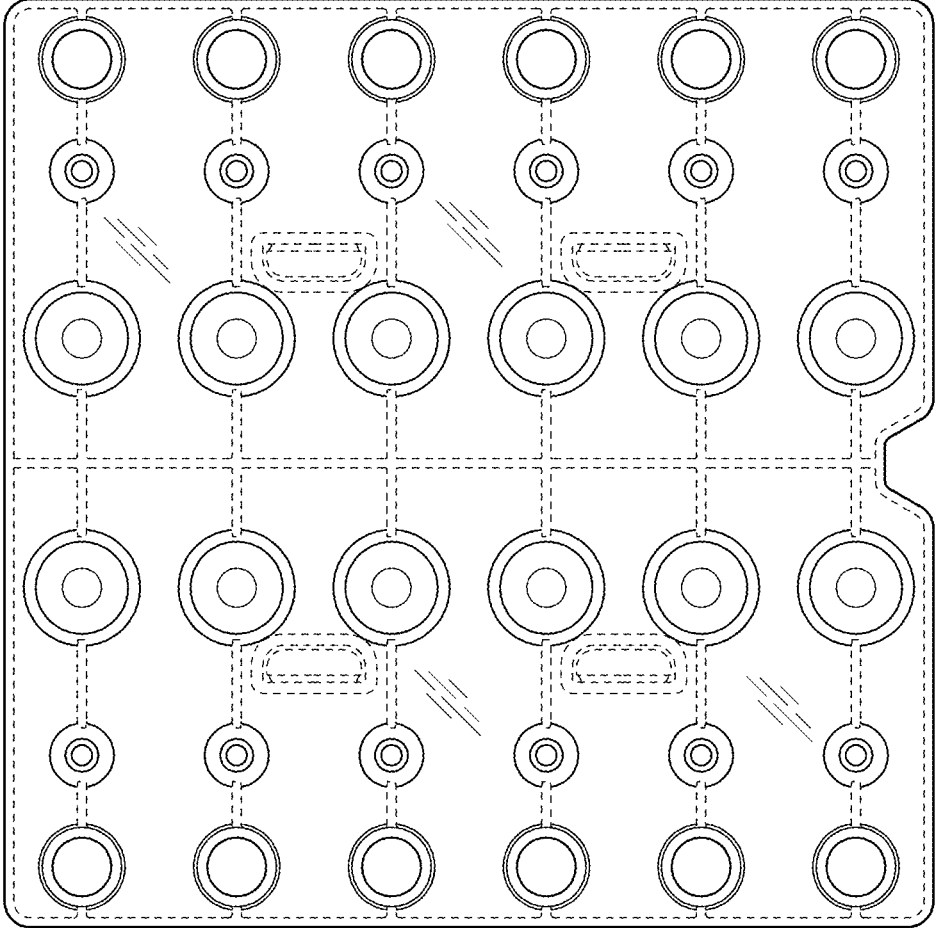


FIG. 7