



US00D853461S

(12) **United States Design Patent**  
**Cheikh et al.**

(10) **Patent No.:** **US D853,461 S**

(45) **Date of Patent:** **\*\* Jul. 9, 2019**

(54) **ROBOT**

(71) Applicant: **SITA Ypenburg BV**, The Hague (NL)

(72) Inventors: **Stephane Cheikh**, St Sulpice (CH);  
**Steven Sebastiaan Vroonland**, St Sulpice (CH); **Koos Termeulen**, St Sulpice (CH); **Reinout Jules Reinhilde Vander Meulen**, St Sulpice (CH); **Julien Rochat**, St Sulpice (CH); **Nicola Tomatis**, St Sulpice (CH)

D577,166 S \* 9/2008 Rosenzweig ..... D32/38  
D586,959 S \* 2/2009 Geringer ..... D32/21  
D593,265 S \* 5/2009 Carr ..... D32/21  
D596,815 S \* 7/2009 Baek ..... D32/21  
D599,066 S \* 8/2009 Baker ..... D32/38  
D614,251 S \* 4/2010 Chung ..... D15/199

(Continued)

**FOREIGN PATENT DOCUMENTS**

WO WO 2008151345 A2 \* 12/2008 ..... A61G 5/047

**OTHER PUBLICATIONS**

SITA's baggage robot lends passengers a hand at Geneva Airport, posted on sita.aero, posted May 17, 2016, no production date given, [online], [site visited Aug. 16, 2017], Available from Internet, <URL: https://www.sita.aero/pressroom/news-releases/sitas-baggage-robot-lends-passengers-a-hand-at-geneva-airport>.\*

(Continued)

*Primary Examiner* — Garth Rademaker  
*Assistant Examiner* — Fitzgerald L Butac  
(74) *Attorney, Agent, or Firm* — Morris, Manning & Martin, LLC; Daniel E. Sineway, Esq.; Bryan D. Stewart, Esq.

(57) **CLAIM**

The ornamental design for a robot, as shown and described.

**DESCRIPTION**

FIG. 1 is a perspective view of an exemplary robot; FIG. 2 is a front view of an exemplary robot thereof; FIG. 3 is a rear view of an exemplary robot thereof; FIG. 4 is a left view of an exemplary robot thereof; FIG. 5 is a right view of an exemplary robot thereof; FIG. 6 is a top view of an exemplary robot thereof; and, FIG. 7 is a bottom view of an exemplary robot thereof. The broken lines show portions of a robot that form no part of the claimed design.

**1 Claim, 7 Drawing Sheets**

(\*\*) Term: **15 Years**

(21) Appl. No.: **29/583,950**

(22) Filed: **Nov. 10, 2016**

(30) **Foreign Application Priority Data**

May 10, 2016 (EM) ..... 003119908-0002

(51) **LOC (11) Cl.** ..... **15-99**

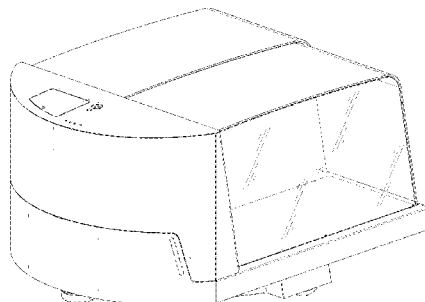
(52) **U.S. Cl.**  
USPC ..... **D15/199**

(58) **Field of Classification Search**  
USPC ..... D7/300, 305, 306-311, 397-400;  
D10/16, 22, 23, 25, 28; D15/10-13, 22,  
D15/199; D20/1, 4, 5, 8; D23/383;  
D32/17, 18, 21, 22, 31-34  
CPC ..... A63H 11/00; A63H 2200/00; B25J 9/00;  
B25J 9/04; B25J 18/00; G06N 3/00;  
G06N 3/004; G06N 3/008  
See application file for complete search history.

(56) **References Cited**

**U.S. PATENT DOCUMENTS**

D527,854 S \* 9/2006 Marzynski ..... D15/199  
D554,069 S \* 10/2007 Bolotin ..... D13/162  
D554,070 S \* 10/2007 Bolotin ..... D13/162  
D556,961 S \* 12/2007 Swyst ..... D15/199  
D559,867 S \* 1/2008 Abramson ..... D15/14  
D573,610 S \* 7/2008 Abramson ..... D15/14



(56)

## References Cited

## U.S. PATENT DOCUMENTS

D667,898	S	*	9/2012	Gettings	.....	D15/199
D671,681	S	*	11/2012	Grienay	.....	D28/38
D715,504	S	*	10/2014	Deoksang	.....	D32/21
D734,576	S	*	7/2015	Dooley	.....	D32/31
D734,907	S	*	7/2015	Dooley	.....	D32/31
D738,585	S	*	9/2015	Dooley	.....	D32/31
D748,878	S	*	2/2016	Dooley	.....	D32/21
D766,524	S	*	9/2016	Ochi	.....	D32/21
D771,332	S	*	11/2016	Verhoorn	.....	D32/21
D771,333	S	*	11/2016	Verhoorn	.....	D32/21
D771,884	S	*	11/2016	Ninomiya	.....	D32/21
D774,717	S	*	12/2016	Choi	.....	D32/21
D781,512	S	*	3/2017	Neumann	.....	D32/21
D781,930	S	*	3/2017	Ward	.....	D15/79
D784,640	S	*	4/2017	Verhoorn	.....	D32/31
D785,261	S	*	4/2017	Choi	.....	D32/31
D785,262	S	*	4/2017	Choi	.....	D32/31
D790,141	S	*	6/2017	Verhoorn	.....	D32/31
D791,208	S	*	7/2017	Hale	.....	D15/199
2017/0215662	A1	*	8/2017	Qian	.....	A47L 1/02 15/97.1

## OTHER PUBLICATIONS

The future of bag drops? New robot Leo meets flyers outside the terminal, scans their boarding passes and takes luggage away, posted on dailymail.co.uk, posted May 23, 2016, no production date given, [online], [site visited Aug. 16, 2017], Available from Internet, <URL: [http://www.dailymail.co.uk/travel/travel\\_news/article-3604650/The-future-bag-drops](http://www.dailymail.co.uk/travel/travel_news/article-3604650/The-future-bag-drops)>.\*

Incheon Airport to Deploy Robot Staff Later This Year, posted on english.chosun.com, posted Jul. 1, 2016, no production date given, [online], [site visited Aug. 16, 2017], Available from Internet, <URL: [http://english.chosun.com/site/data/html\\_dir/2016/07/01/2016070101049.html](http://english.chosun.com/site/data/html_dir/2016/07/01/2016070101049.html)>.\*

Japan Airlines starts baggage robot trial. posted on passengerselfservice.com, posted Apr. 20, 2017, no production date given, [online], [site visited Aug. 16, 2017], Available from Internet, <URL: <http://www.passengerselfservice.com/2017/04/japan-airlines-starts-baggage-robot-trial/>>.\*

\* cited by examiner

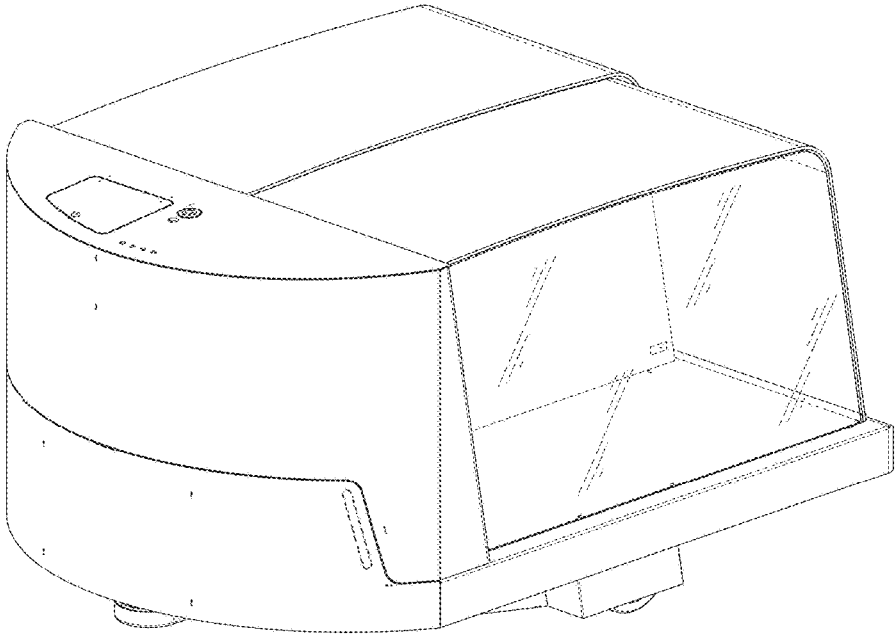


Fig. 1

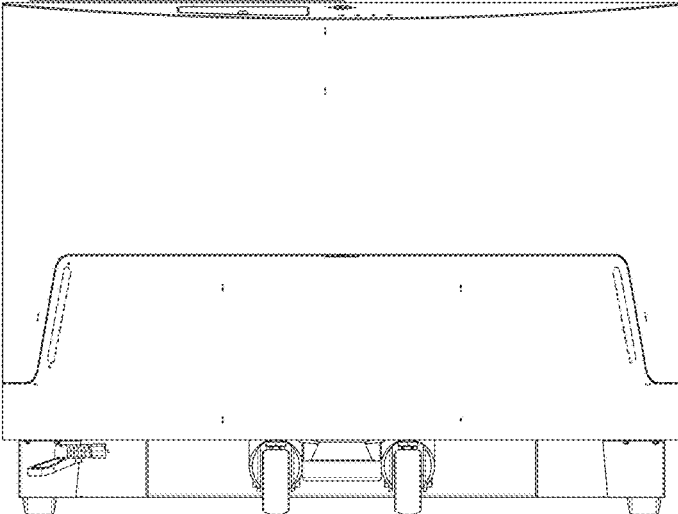


Fig. 2

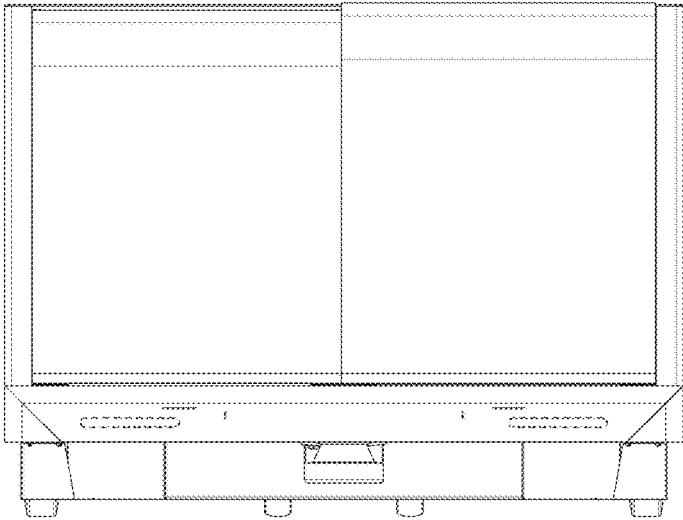


Fig. 3

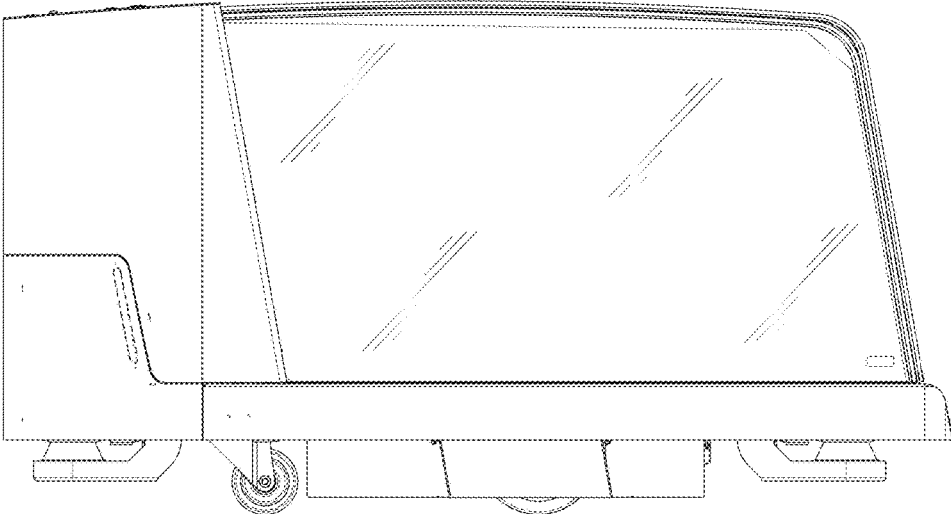


Fig. 4

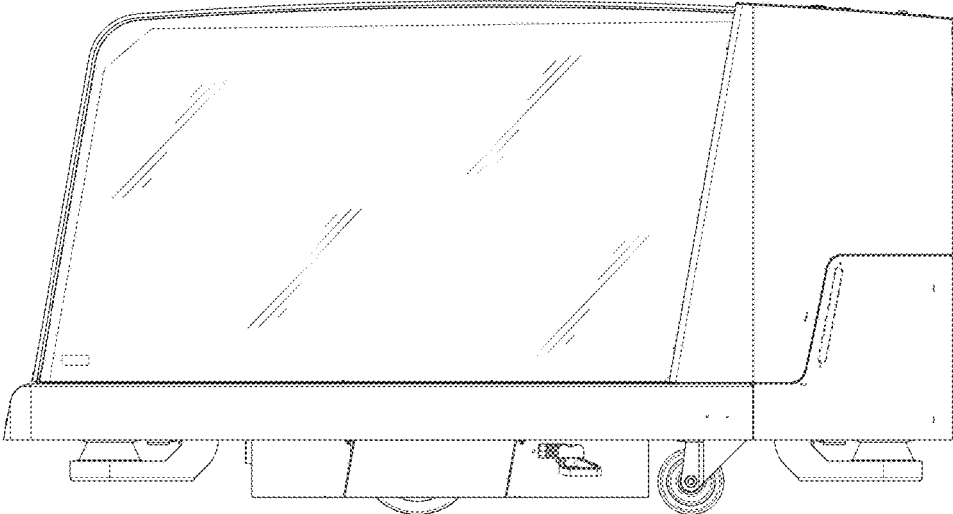


Fig. 5

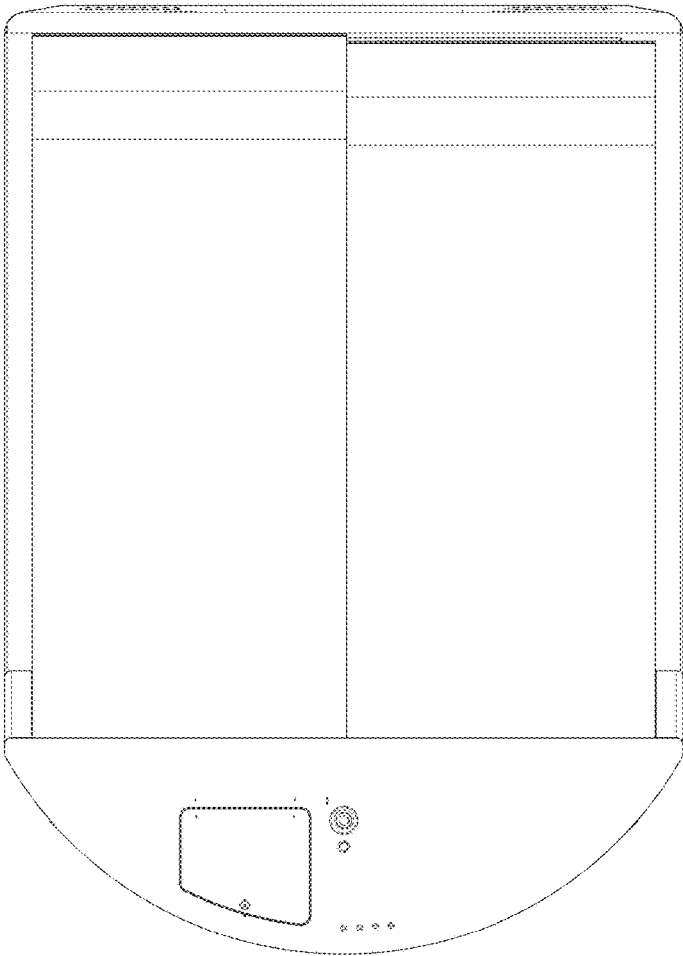


Fig. 6



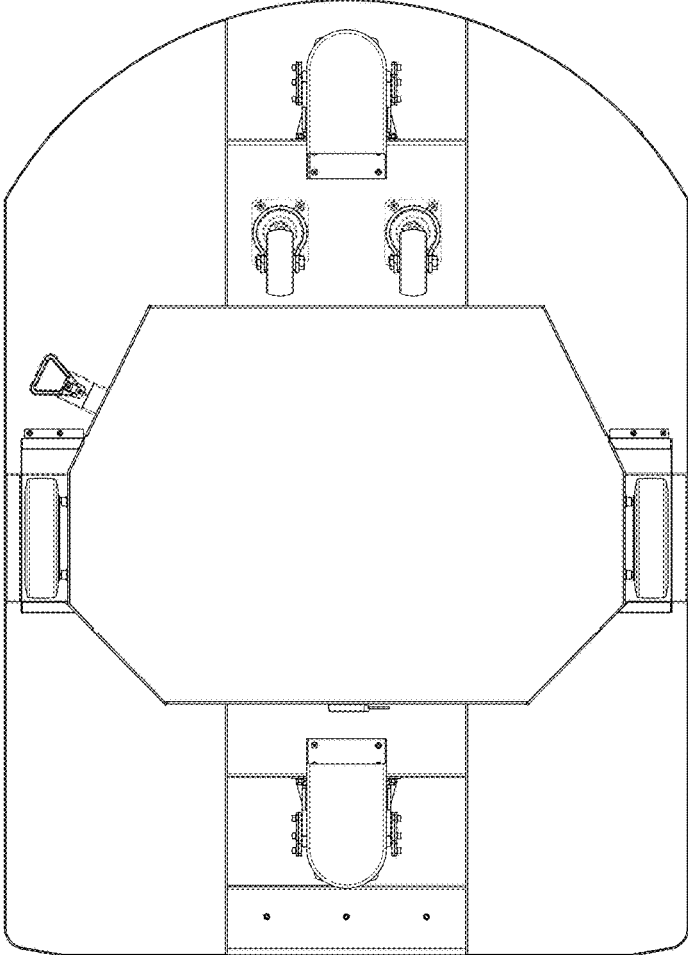


Fig. 7