



(12) **United States Design Patent**
Luo

(10) **Patent No.:** **US D1,007,700 S**
(45) **Date of Patent:** **** Dec. 12, 2023**

(54) **SKIN EXFOLIATING DEVICE**
(71) Applicant: **Shenzhen Hongwang Nicemay Electric Co., Ltd, Shenzhen (CN)**

D972,136 S * 12/2022 Levy D24/146
D987,100 S * 5/2023 Wang D24/215
D987,101 S * 5/2023 Wang D24/215

(72) Inventor: **Dewei Luo, Shenzhen (CN)**
(73) Assignee: **SHENZHEN HONGWANG NICEMAY ELECTRIC CO., LTD, Shenzhen (CN)**

OTHER PUBLICATIONS

Nicemay, "Compact Ultrasonic Skin scrubber", Access date: Jun. 5, 2023. <https://www.nicemay.com/beauty-device-for-face/bj-1809a.html> (Year: 2023).*
Youtube, "The best compact ultrasonic skin scrubber from Nicemay", Published Date: Nov. 23, 2021. <https://www.youtube.com/watch?v=vulejHkbzqU> (Year: 2021).*

(**) Term: **15 Years**

* cited by examiner

(21) Appl. No.: **29/820,876**

Primary Examiner — Michael A Maharajh

(22) Filed: **Dec. 24, 2021**

(57) **CLAIM**

(30) **Foreign Application Priority Data**

The ornamental design for a skin exfoliating device, as shown and described.

Jul. 12, 2021 (CN) 202130439923.8

DESCRIPTION

(51) **LOC (14) Cl.** **24-01**

FIG. 1 is a perspective view of a skin exfoliating device showing my new design;

(52) **U.S. Cl.**

USPC **D24/215**

FIG. 2 is another perspective view thereof;

(58) **Field of Classification Search**

USPC D24/200, 211, 212, 213, 214, 215;

D28/44, 56, 58; D10/57

FIG. 3 is a third perspective view thereof;

CPC A61H 2205/021; A61H 2201/0153; A61H

2205/022; A61H 2201/1207; A61H

2201/105

FIG. 4 is a front elevational view thereof;

See application file for complete search history.

FIG. 5 is a rear elevational view thereof;

FIG. 6 is a left side elevational view thereof;

FIG. 7 is a right side elevational view thereof;

FIG. 8 is a top plan view thereof;

FIG. 9 is a bottom plan view thereof; and,

FIG. 10 is a perspective view of the skin exfoliating device on a cradle.

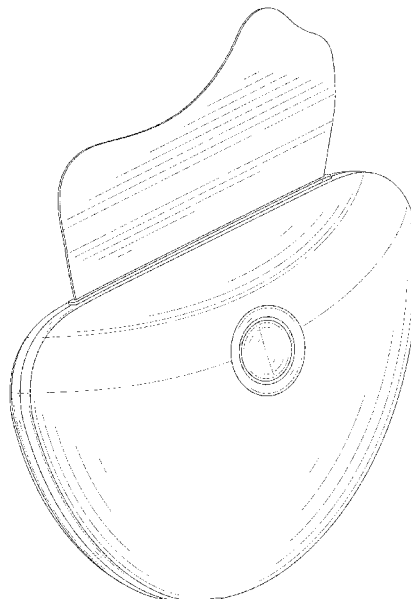
(56) **References Cited**

U.S. PATENT DOCUMENTS

D831,211 S * 10/2018 Choi D24/146
D882,807 S * 4/2020 Xiong D24/214
D908,233 S * 1/2021 Zhou D24/214
D921,915 S * 6/2021 Luo D24/215
D924,423 S * 7/2021 Luo D24/215
D940,890 S * 1/2022 Cartledge D24/200

The broken lines in the drawings are for the purpose of illustrating portions of the skin exfoliating device that form no part of the claimed design. The broken lines showing a cradle in FIG. 10 are for the purpose of illustrating environment and form no part of the claimed design.

1 Claim, 10 Drawing Sheets



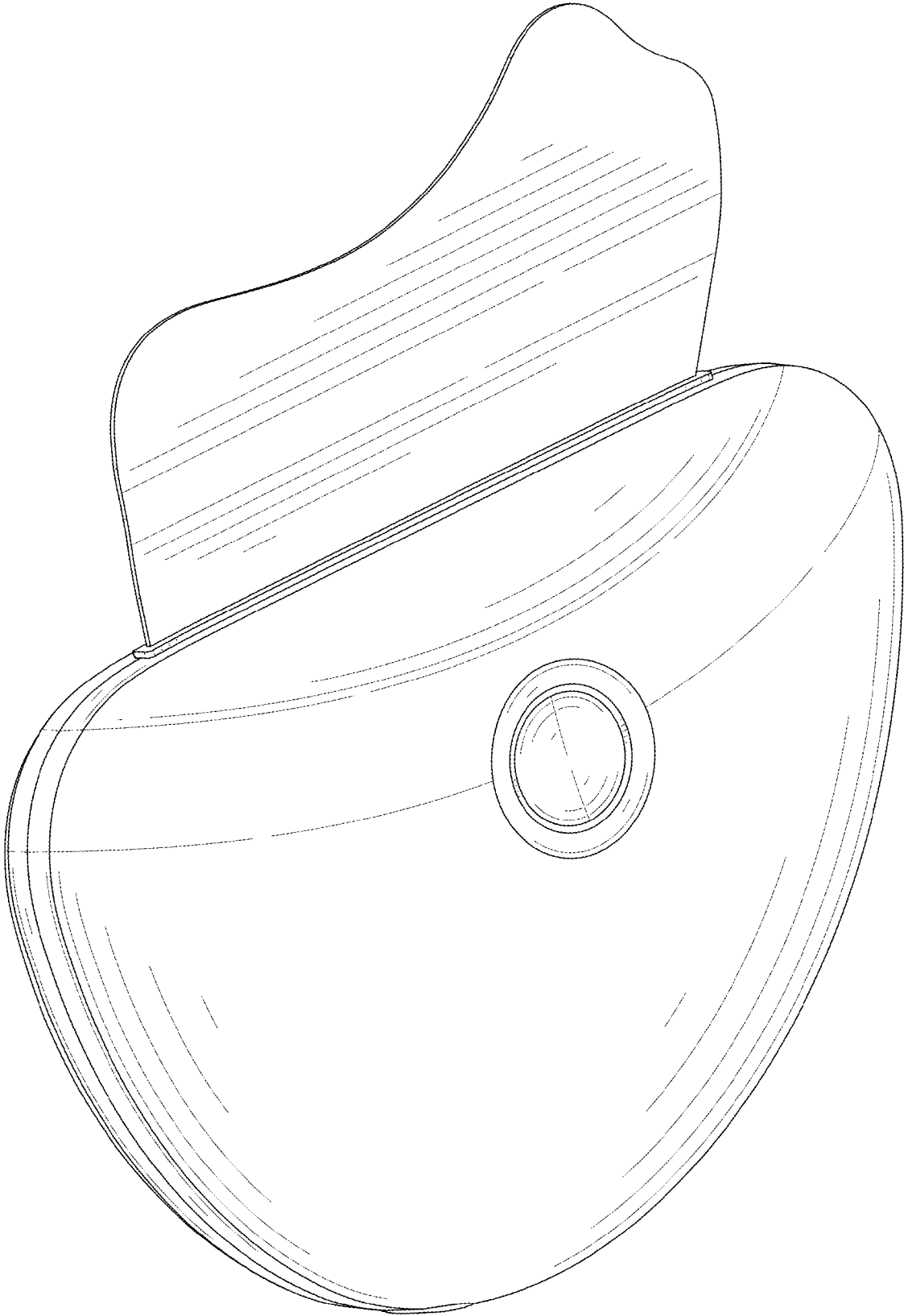


FIG. 1

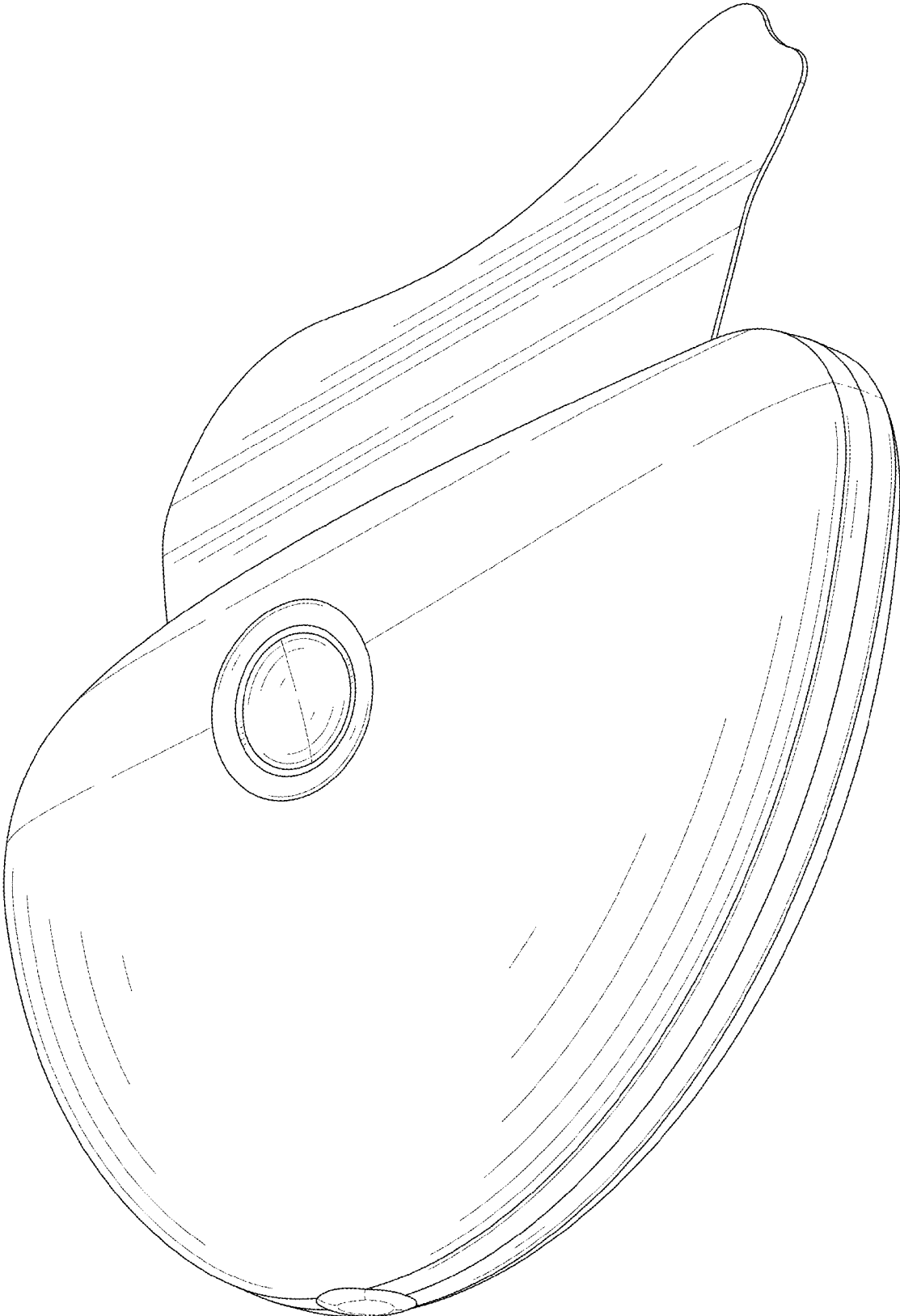


FIG. 2



FIG. 3

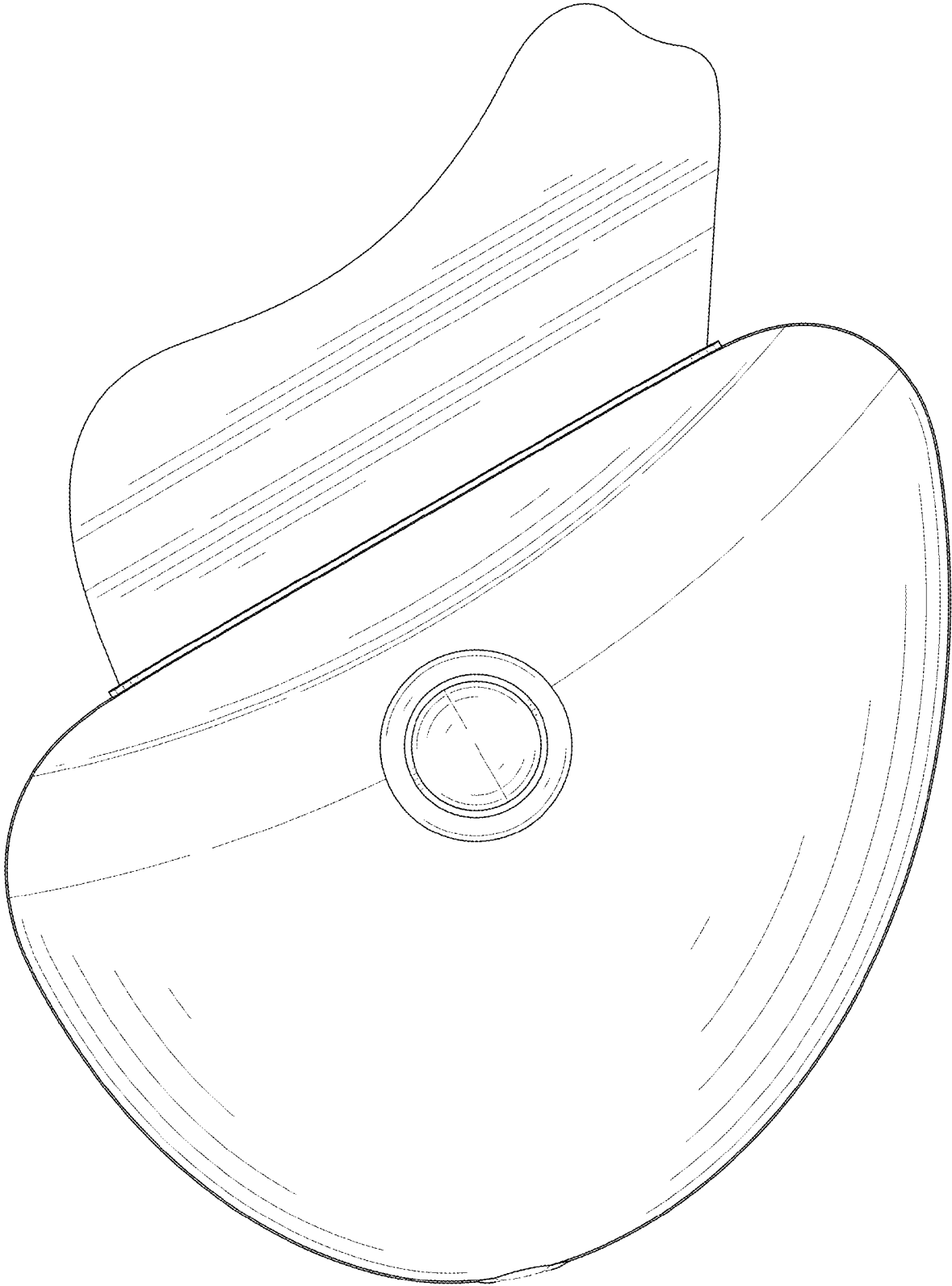


FIG. 4

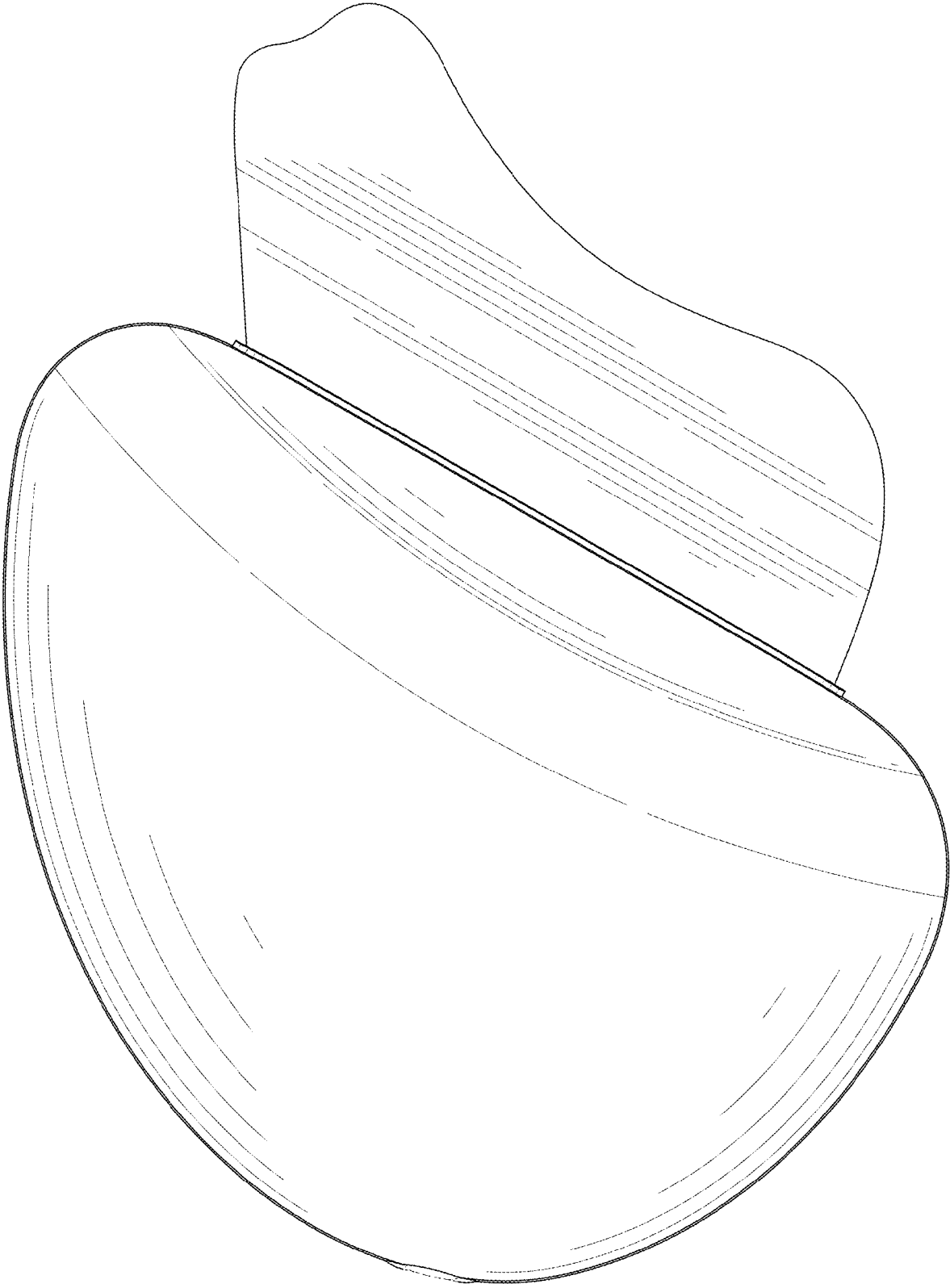


FIG. 5

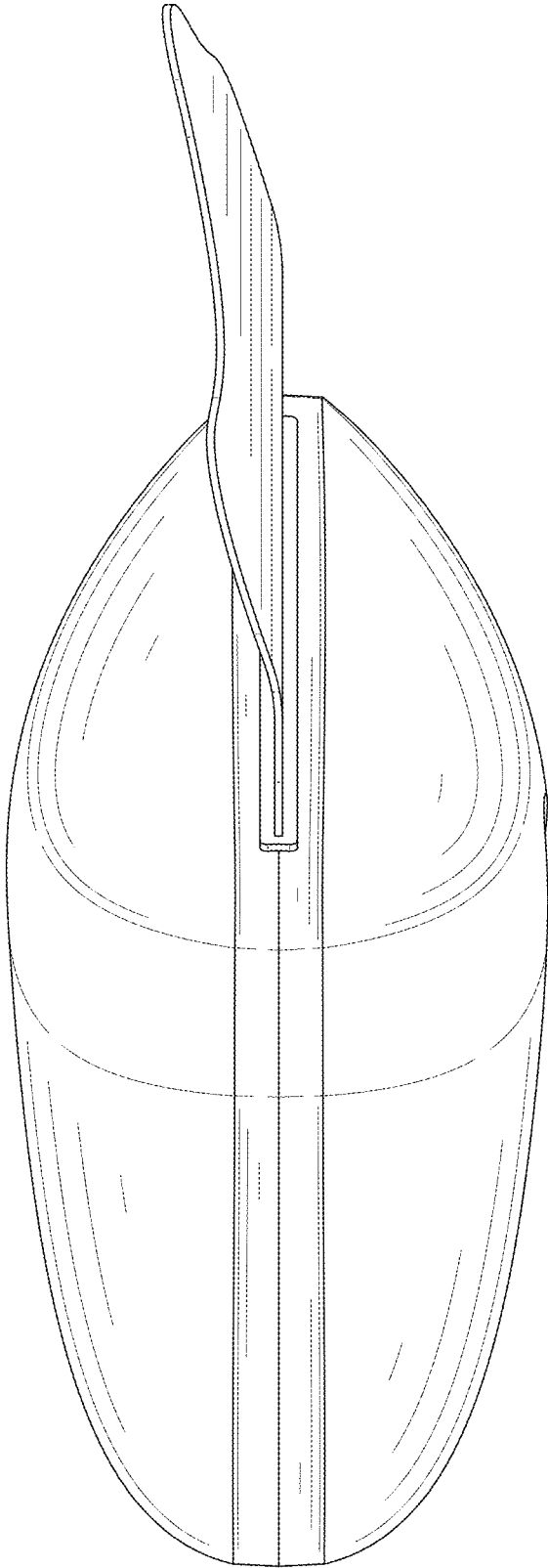


FIG. 6

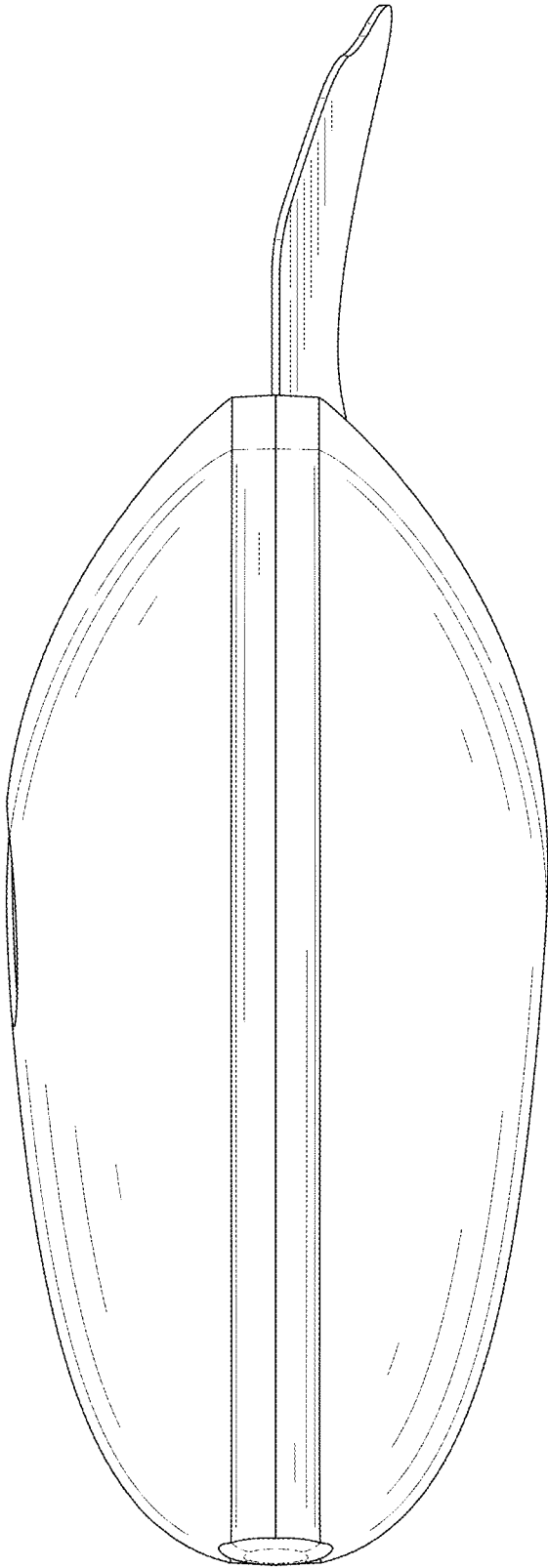


FIG. 7

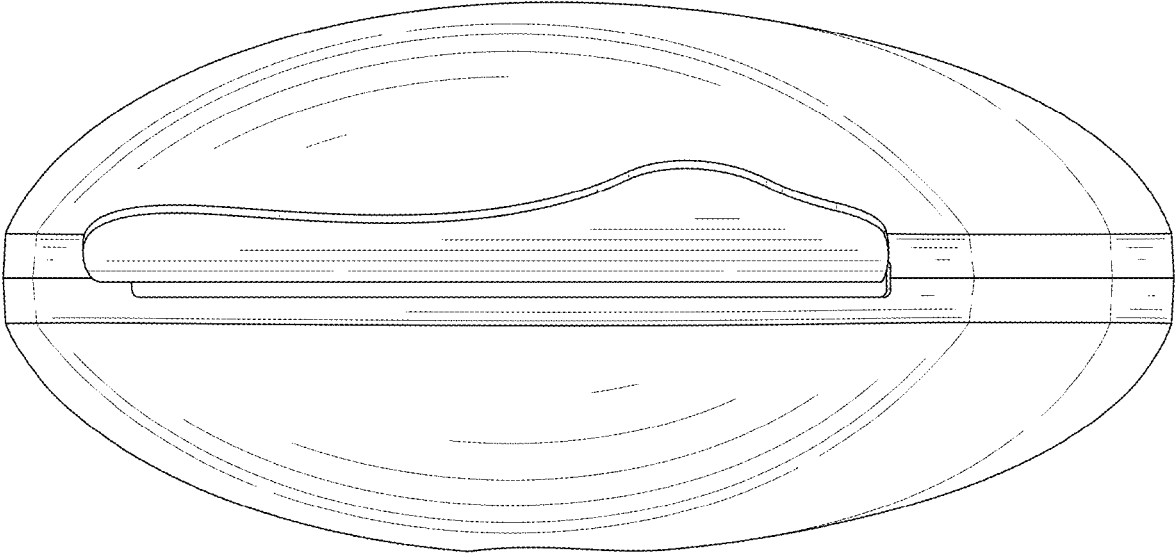


FIG. 8

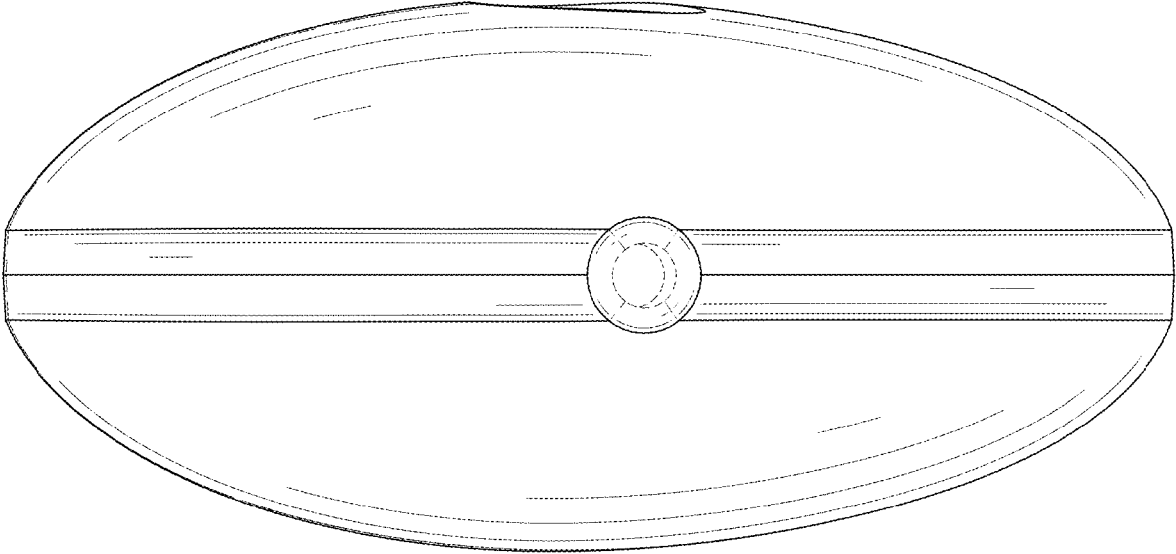


FIG. 9

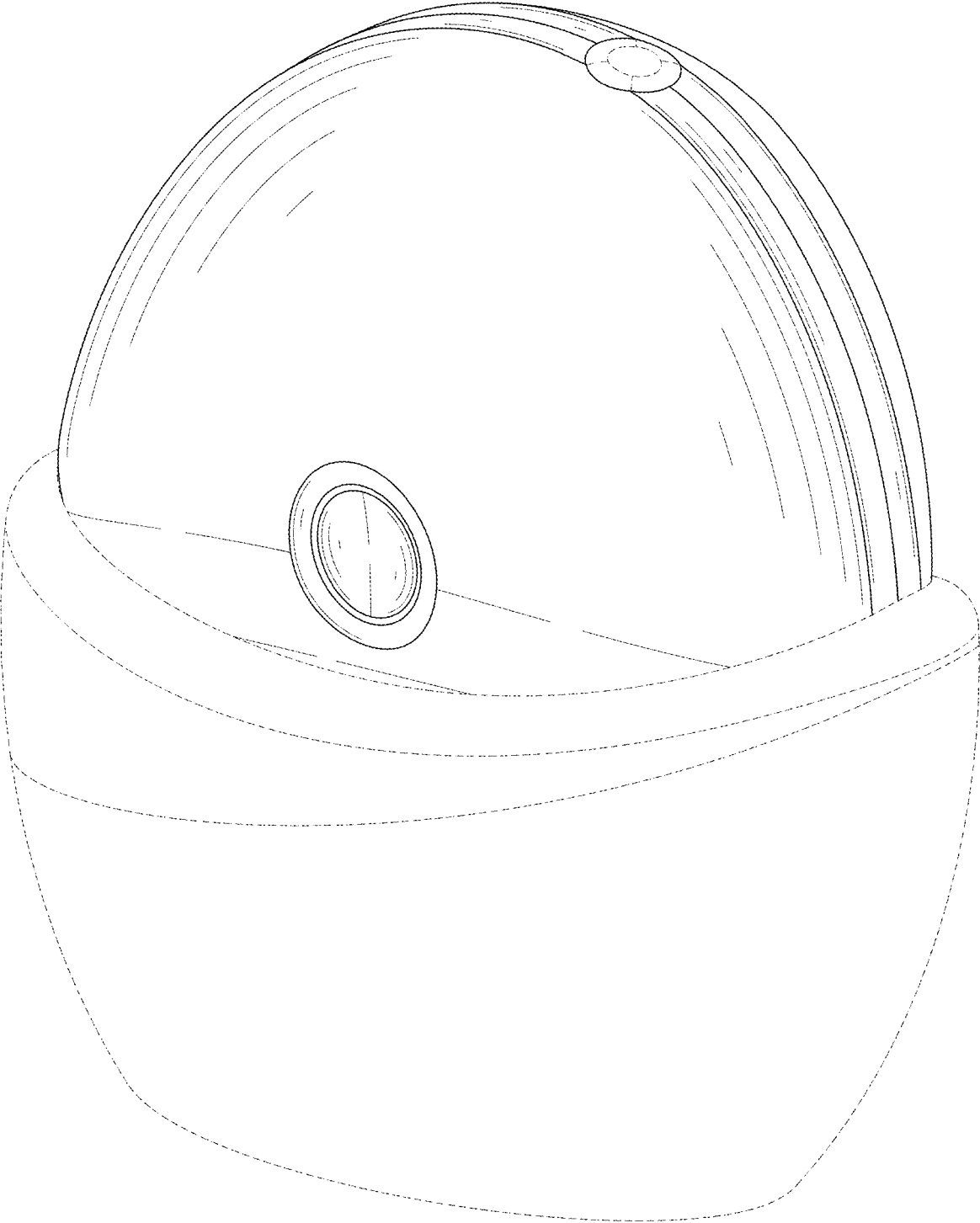


FIG. 10