

[54] LOUDSPEAKER

[75] Inventor: You Takagi, Tokyo, Japan

[73] Assignee: Pioneer Electronic Corporation, Tokyo, Japan

[*] Notice: The portion of the term of this patent subsequent to May 27, 2000 has been disclaimed.

[**] Term: 14 Years

[21] Appl. No.: 509,085

[22] Filed: Jun. 29, 1983

[30] Foreign Application Priority Data

Jan. 7, 1983 [JP] Japan 58-136

[52] U.S. Cl. D14/30

[58] Field of Search D14/30, 32-34, D14/37, 39

[56] References Cited

U.S. PATENT DOCUMENTS

D. 254,130	2/1980	Iijima	D14/30
D. 254,434	3/1980	Iijima	D14/30
D. 265,556	7/1982	Iijima	D14/30
D. 275,098	8/1984	Flick	D14/39 X

Primary Examiner—Bernard Ansher
Assistant Examiner—Theodore M. Shooman
Attorney, Agent, or Firm—Sughrue, Mion, Zinn, Macpeak and Seas

[57] CLAIM

The ornamental design for a loudspeaker, as shown.

DESCRIPTION

FIG. 1 is a front elevational view of a loudspeaker showing my new design;
FIG. 2 is a rear elevational view thereof;
FIG. 3 is a left side elevational view thereof;
FIG. 4 is a right side elevational view thereof;
FIG. 5 is a top plan view thereof;
FIG. 6 is a bottom plan view thereof; and
FIG. 7 is a front perspective view thereof.

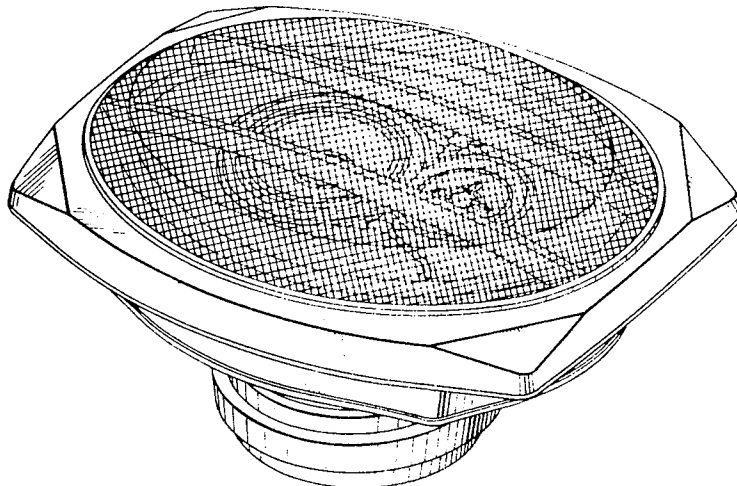
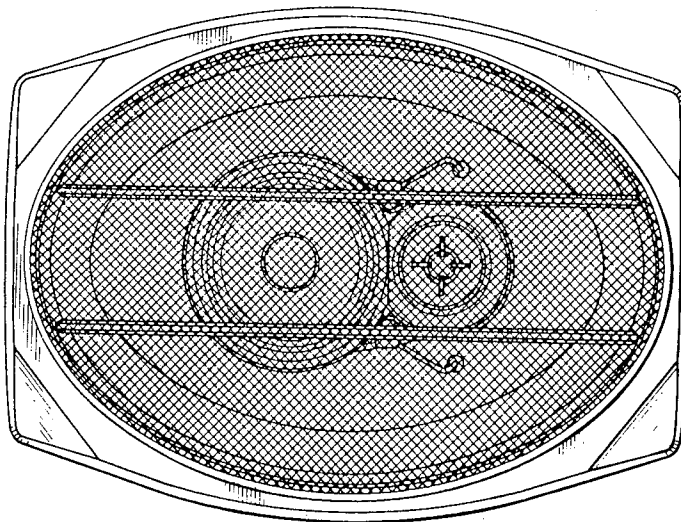


FIG. 1

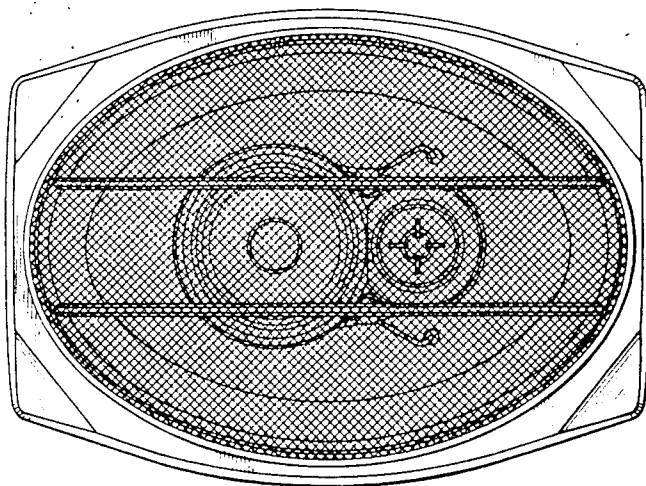


FIG. 2

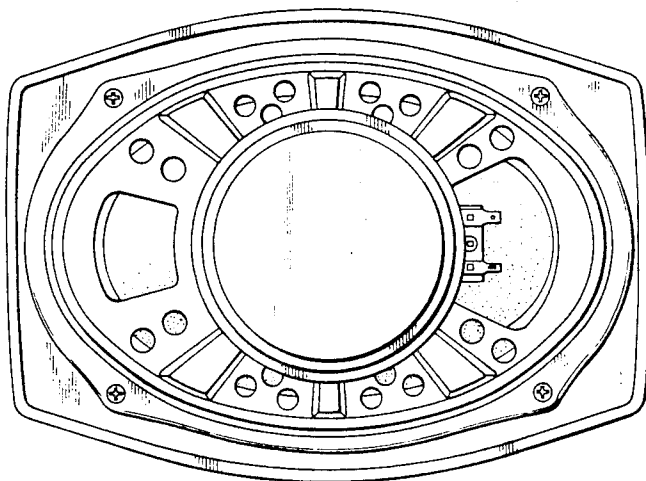


FIG. 3

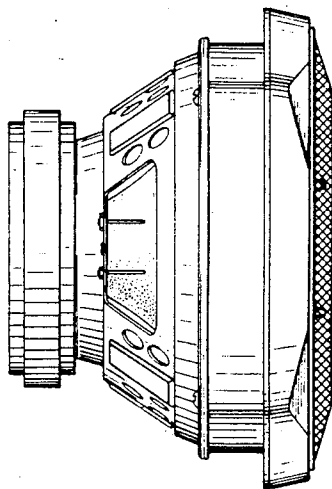


FIG. 4

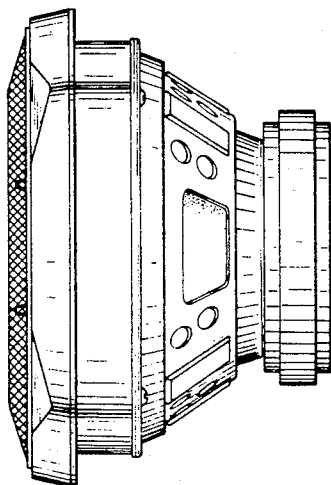


FIG. 5

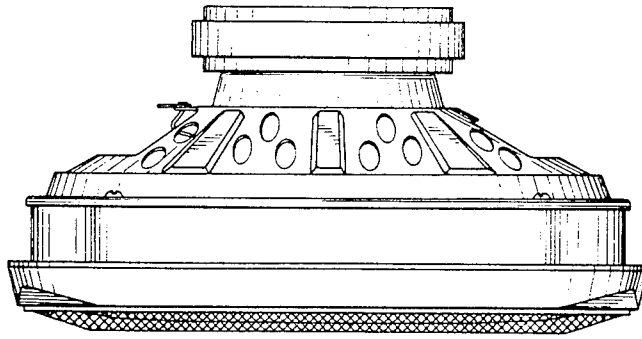


FIG. 6

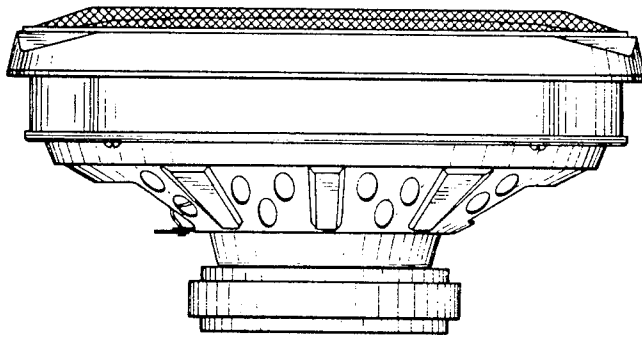


FIG. 7

