



US00D378686S

# United States Patent [19]

[11] **Patent Number:** **Des. 378,686**

**Proctor et al.**

[45] **Date of Patent:** **\*\*Apr. 1, 1997**

[54] **ELECTRONIC BOOK**

4,855,725 8/1989 Fernandez ..... 434/317 X

[76] Inventors: **Roger P. Proctor; Robert R. Rankin,**  
both of 13 Longyear Ave., Tillson, N.Y.  
12486

*Primary Examiner*—Susan J. Lucas  
*Assistant Examiner*—Pamela Burgess  
*Attorney, Agent, or Firm*—Harold H. Dutton, Jr.; W. Charles  
L. Jamison; Diane F. Liebman

[\*\*] Term: **14 Years**

### [57] CLAIM

[21] Appl. No.: **47,362**

The ornamental design for an electronic book, as shown and described.

[22] Filed: **Dec. 1, 1995**

[52] U.S. Cl. .... **D19/60; D21/13; D14/100**

[58] Field of Search ..... D19/59, 60, 61,  
D19/64, 26; D21/13; D14/100; 434/339,  
317

### DESCRIPTION

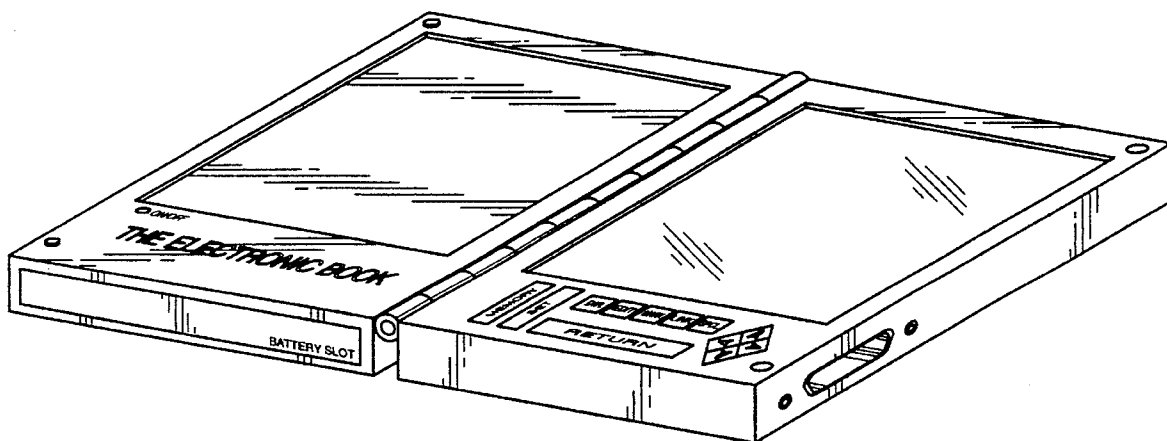
FIG. 1 is a front perspective view of an electronic book showing our new design in a fully opened position; FIG. 2 is a rear view thereof; FIG. 3 is a bottom view thereof; FIG. 4 is a top view thereof; FIG. 5 is a left side view thereof; and, FIG. 6 is a right side view thereof.

### [56] References Cited

#### U.S. PATENT DOCUMENTS

- D. 321,174 10/1991 Tsuchiya ..... D19/60 X
- D. 321,175 10/1991 Tsuchiya ..... D19/60 X
- D. 362,270 9/1995 Allen ..... D19/60

**1 Claim, 3 Drawing Sheets**



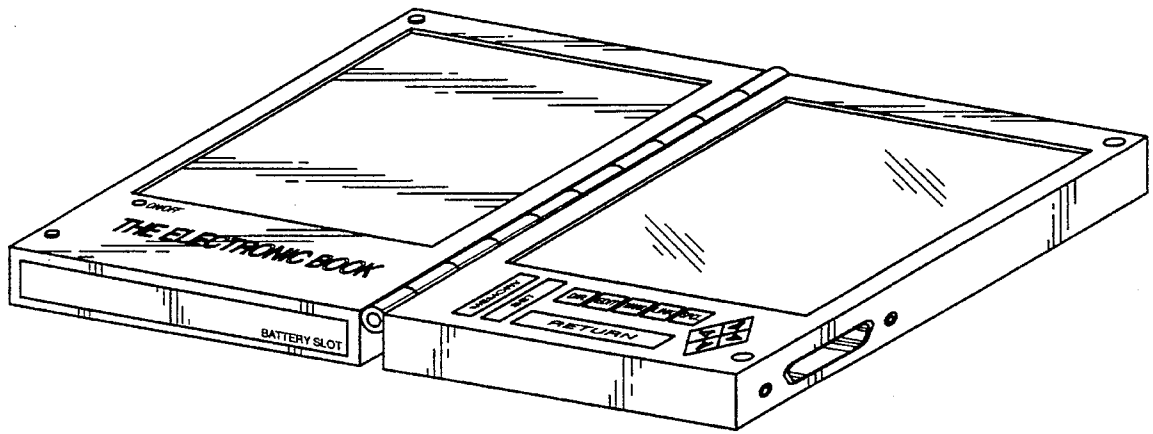


FIG. 1

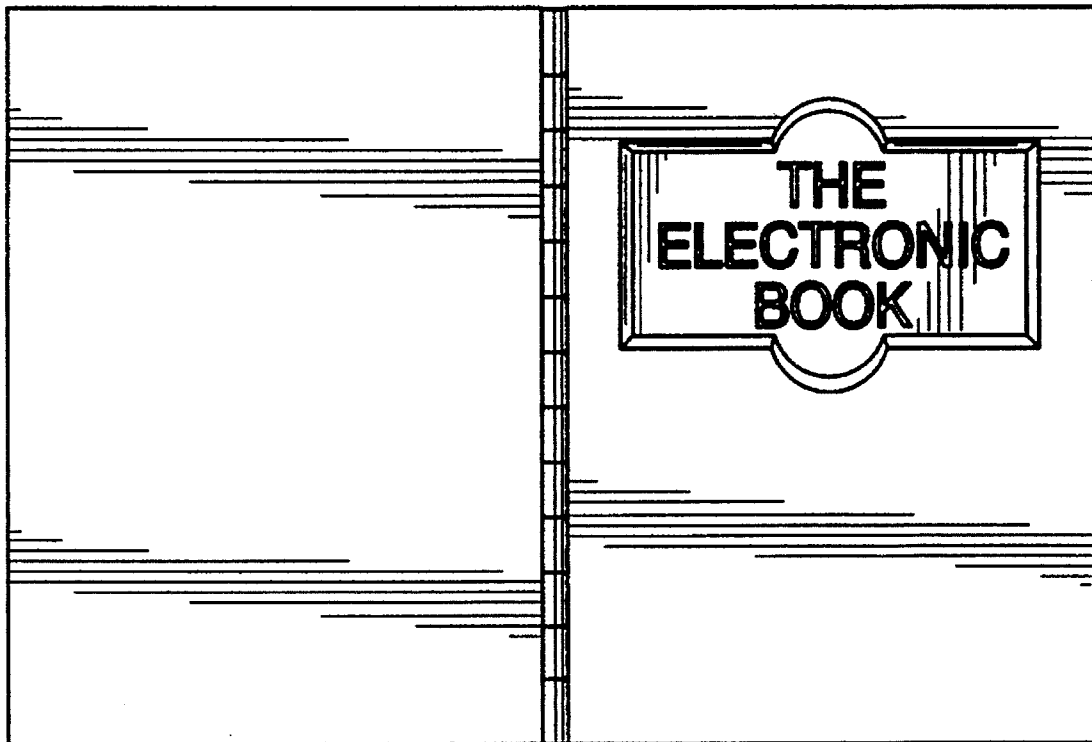


FIG. 2



FIG. 3



FIG. 4



FIG. 5



FIG. 6