



US00D766904S

(12) **United States Design Patent**
Jung

(10) **Patent No.:** **US D766,904 S**

(45) **Date of Patent:** **** Sep. 20, 2016**

- (54) **CASE FOR WRIST-WORN ELECTRONIC DEVICE**
- (71) Applicant: **Soo Ha Jung**, Seoul (KR)
- (72) Inventor: **Soo Ha Jung**, Seoul (KR)
- (73) Assignee: **SPIGEN KOREAN CO., LTD.**,
Geumcheon-Gu, Seoul (KR)
- (**) Term: **14 Years**
- (21) Appl. No.: **29/523,733**
- (22) Filed: **Apr. 13, 2015**
- (51) **LOC (10) Cl.** **14-02**
- (52) **U.S. Cl.**
USPC **D14/440**
- (58) **Field of Classification Search**
USPC D14/440, 250, 447, 344, 439, 432, 300;
206/45.23, 320, 45.2; 361/679.55;
294/25; 224/218
CPC .. G06F 3/0416; G06F 3/04886; G06F 3/045;
G06F 3/041; G06F 1/1628; G06F 1/1613;
C08F 2/44; B41M 1/12; B32B 7/06; B29C
63/0047; B43L 3/00; H05K 13/00; C11D
17/049; G03B 21/132; H04B 1/3888; H04B
1/385; A47B 23/044; A61B 5/02438; A61B
5/1112; A44C 5/14
See application file for complete search history.

D688,967 S *	9/2013	Wilson	D10/128
8,523,124 B2 *	9/2013	Yuan	F16M 11/10 248/188.8
D693,709 S *	11/2013	Lee	D10/65
D703,649 S *	4/2014	Wikel	D14/250
D714,295 S *	9/2014	Fujioka	D14/440
D716,312 S *	10/2014	Fujioka	D14/440
D723,016 S *	2/2015	Lee	D14/250
D728,549 S *	5/2015	Su	D14/250
D730,225 S *	5/2015	Behar	D10/103
D735,199 S *	7/2015	Song	D14/432
D735,200 S *	7/2015	Song	D14/432
D735,586 S *	8/2015	Stegmann	D10/30
D735,724 S *	8/2015	Song	D14/432
D736,103 S *	8/2015	Behling	D10/30
D751,558 S *	3/2016	Lee	D10/103
D752,044 S *	3/2016	Akana	D14/344
D754,133 S *	4/2016	Chen	D14/440
2010/0061191 A1 *	3/2010	Chen	A44C 5/0069 368/109

(Continued)

Primary Examiner — Cynthia Underwood
(74) *Attorney, Agent, or Firm* — East West Law Group;
Heedong Chae

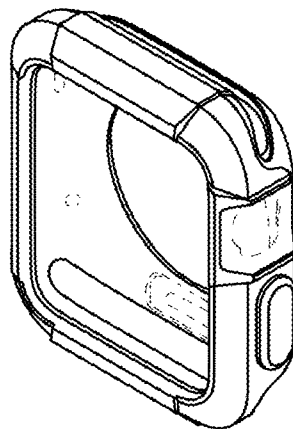
(57) **CLAIM**
The ornamental design for a case for wrist-worn electronic device, as shown and described.

DESCRIPTION

FIG. 1 is a front perspective view of a case for wrist-worn electronic device showing my new design;
FIG. 2 is a rear perspective view thereof;
FIG. 3 is a front elevational view thereof;
FIG. 4 is a rear elevational view thereof;
FIG. 5 is a left side elevational view thereof;
FIG. 6 is a right side elevational view thereof;
FIG. 7 is a top plan view thereof; and,
FIG. 8 is a bottom plan view thereof.
The broken lines depict environmental subject matter and form no part of the claim.

1 Claim, 8 Drawing Sheets

- (56) **References Cited**
U.S. PATENT DOCUMENTS
- D531,524 S * 11/2006 Behling D10/38
- D638,324 S * 5/2011 Tang D10/128
- D647,107 S * 10/2011 Akana D14/203.3
- D656,135 S * 3/2012 Swartz D14/238.1
- 8,256,612 B1 * 9/2012 Wang A45C 11/00
206/320
- D671,930 S * 12/2012 Akana D14/250
- D674,789 S * 1/2013 Wen D14/250
- D678,262 S * 3/2013 Prato D14/250
- D681,483 S * 5/2013 Biegert D10/38
- D688,582 S * 8/2013 Wilson D10/128



US D766,904 S

Page 2

(56)

References Cited

U.S. PATENT DOCUMENTS

2011/0297578	A1 *	12/2011	Stiehl	B29C 45/1676	206/701	2012/0182678	A1 *	7/2012	Wu	A45F 5/10	361/679.01
2012/0043236	A1 *	2/2012	Szucs	A45C 11/00	206/320	2012/0257340	A1 *	10/2012	Kim	H04B 1/3888	361/679.01
							2013/0222139	A1 *	8/2013	Gouge	A61B 5/01	340/573.1

* cited by examiner

FIG. 1

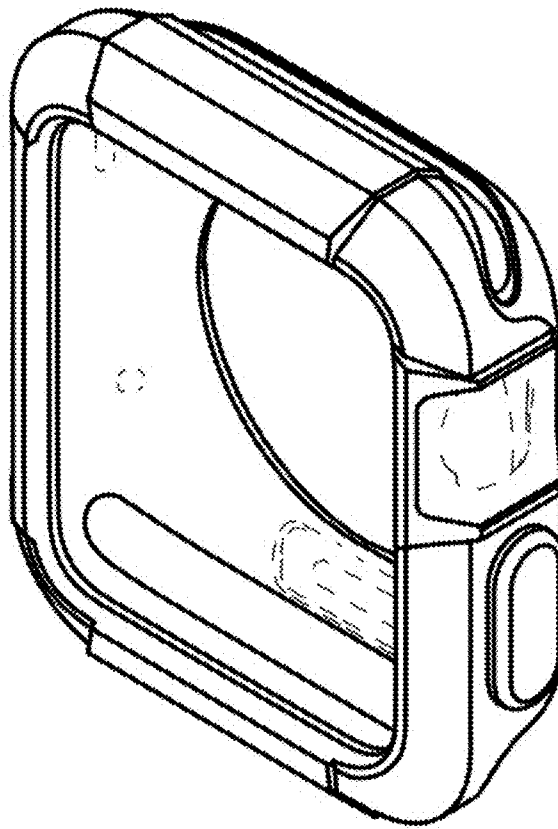


FIG. 2

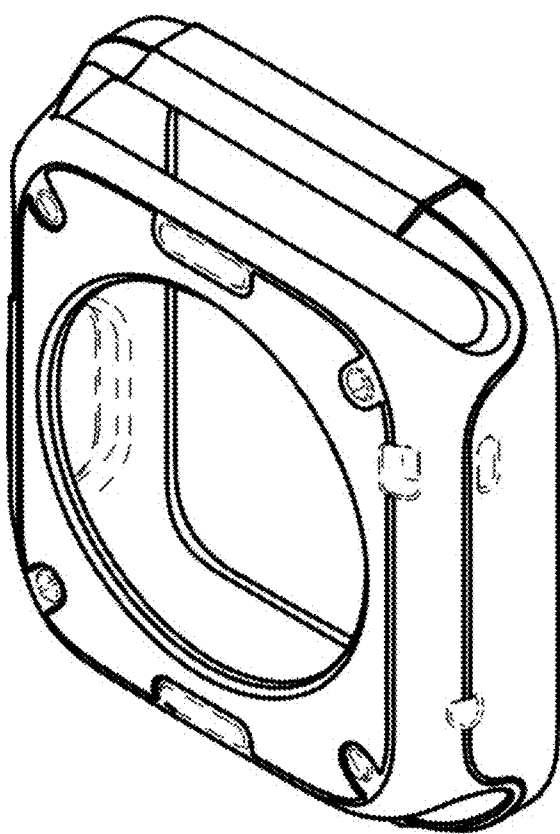


FIG. 3

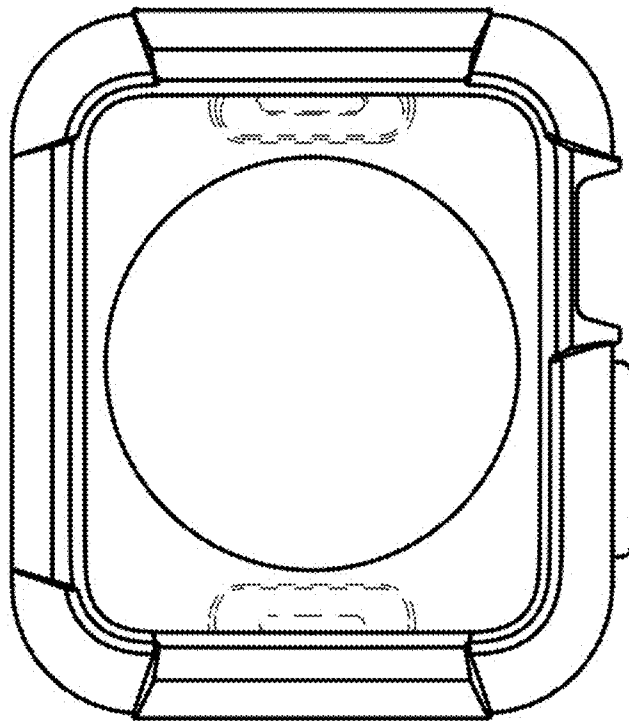


FIG. 4

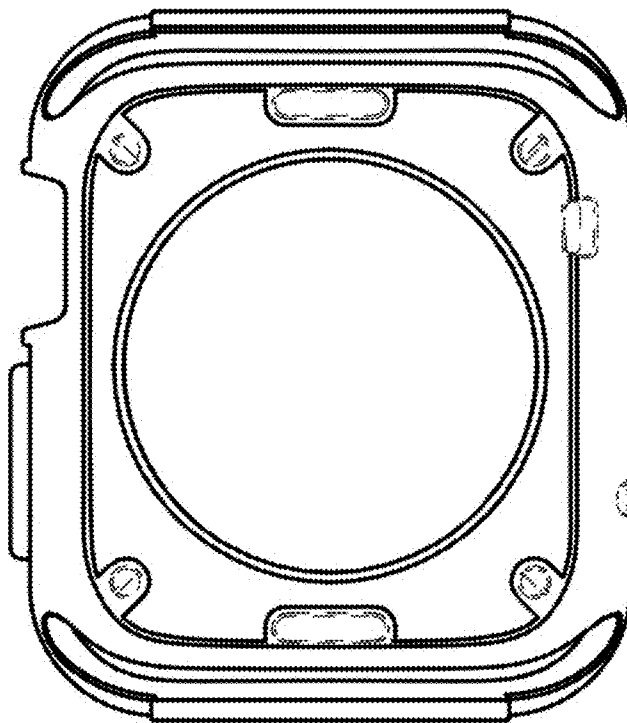


FIG. 5

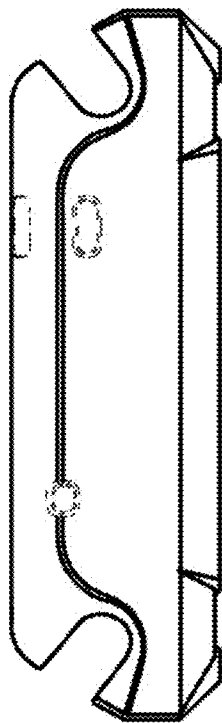


FIG. 6

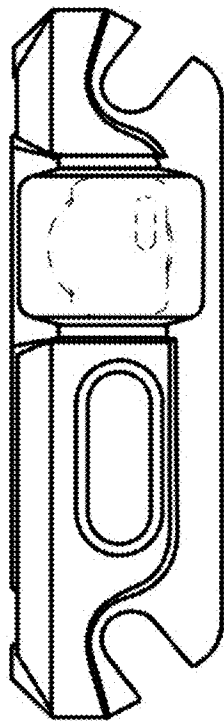


FIG. 7

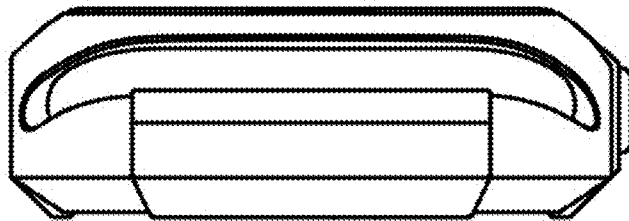


FIG. 8

