



US00D864293S

(12) **United States Design Patent**
Lowe et al.

(10) **Patent No.:** **US D864,293 S**

(45) **Date of Patent:** **** Oct. 22, 2019**

(54) **TRANSACTION CARD**

- (71) Applicant: **CompoSecure, LLC**, Somerset, NJ (US)
- (72) Inventors: **Adam Lowe**, Somerset, NJ (US);
Michele Logan, Madison, NJ (US);
Dori Skelding, North Plainfield, NJ (US);
Syeda Hussain, Somerset, NJ (US)
- (73) Assignee: **COMPOSECURE, LLC**, Somerset, NJ (US)
- (**) Term: **15 Years**
- (21) Appl. No.: **29/648,137**
- (22) Filed: **May 18, 2018**

Related U.S. Application Data

- (63) Continuation of application No. 15/928,813, filed on Mar. 22, 2018.
- (51) **LOC (12) Cl.** **19-08**
- (52) **U.S. Cl.**
USPC **D19/10**
- (58) **Field of Classification Search**
USPC D19/1-12, 20-34, 100;
40/124.01-124.15, 672, 661, 726, 776,
(Continued)

References Cited

U.S. PATENT DOCUMENTS

D529,955 S * 10/2006 Allard D19/9
7,701,350 B2 4/2010 Sakama et al.
(Continued)

FOREIGN PATENT DOCUMENTS

EP 2765648 A1 8/2014
WO 2013110625 A1 8/2013
(Continued)

OTHER PUBLICATIONS

Chen et al., "A Metallic RFID Tag Design for Steel-Bar and Wire-Rod Management Application in the Steel Industry", Progress in Electromagnetics Research, PIER 91, 2009, pp. 195-212 2018.
(Continued)

Primary Examiner — Abraham Bahta
(74) *Attorney, Agent, or Firm* — RatnerPrestia

(57) **CLAIM**

The ornamental design for a transaction card, as shown and described.

DESCRIPTION

FIG. 1 is a front isometric view of a transaction card according to a first exemplary embodiment of the present invention;
FIG. 2 is a front elevation view thereof;
FIG. 3 is a top plan view thereof;
FIG. 4 is a bottom plan view thereof;
FIG. 5 is a left side elevation view thereof;
FIG. 6 is a right side elevation view thereof; and
FIG. 7 is a rear elevation view thereof.
FIG. 8 is a front isometric view of a transaction card according to a second exemplary embodiment of the present invention;
FIG. 9 is a front elevation view thereof;
FIG. 10 is a top plan view thereof;
FIG. 11 is a bottom plan view thereof;
FIG. 12 is a left side elevation view thereof;
FIG. 13 is a right side elevation view thereof; and
FIG. 14 is a rear elevation view thereof.
FIG. 15 is a front isometric view of a transaction card according to a third exemplary embodiment of the present invention;
FIG. 16 is a front elevation view thereof;
FIG. 17 is a top plan view thereof;
FIG. 18 is a bottom plan view thereof;
FIG. 19 is a left side elevation view thereof;
FIG. 20 is a right side elevation view thereof; and
FIG. 21 is a rear elevation view thereof.

(Continued)

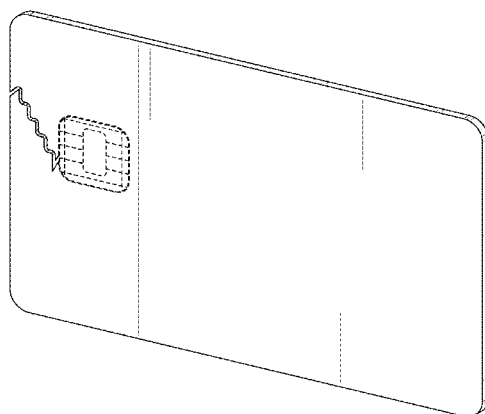
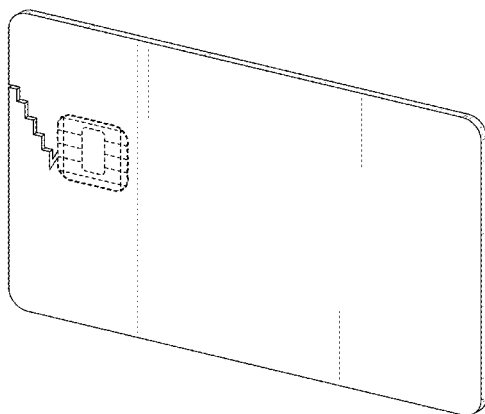


FIG. 22 is a front isometric view of a transaction card according to a fourth exemplary embodiment of the present invention;

FIG. 23 is a front elevation view thereof;

FIG. 24 is a top plan view thereof;

FIG. 25 is a bottom plan view thereof;

FIG. 26 is a left side elevation view thereof;

FIG. 27 is a right side elevation view thereof; and

FIG. 28 is a rear elevation view thereof.

FIG. 29 is a front isometric view of a transaction card according to a fifth exemplary embodiment of the present invention;

FIG. 30 is a front elevation view thereof;

FIG. 31 is a top plan view thereof;

FIG. 32 is a bottom plan view thereof;

FIG. 33 is a left side elevation view thereof;

FIG. 34 is a right side elevation view thereof; and

FIG. 35 is a rear elevation view thereof.

FIG. 36 is a front isometric view of a transaction card according to a sixth exemplary embodiment of the present invention;

FIG. 37 is a front elevation view thereof;

FIG. 38 is a top plan view thereof;

FIG. 39 is a bottom plan view thereof;

FIG. 40 is a left side elevation view thereof;

FIG. 41 is a right side elevation view thereof; and

FIG. 42 is a rear elevation view thereof.

FIG. 43 is a front isometric view of a transaction card according to a seventh exemplary embodiment of the present invention;

FIG. 44 is a front elevation view thereof;

FIG. 45 is a top plan view thereof;

FIG. 46 is a bottom plan view thereof;

FIG. 47 is a left side elevation view thereof;

FIG. 48 is a right side elevation view thereof; and,

FIG. 49 is a rear elevation view thereof.

The broken line showing of the transaction card is for the purpose of illustrating portions of the transaction card and forms no part of the claimed design.

1 Claim, 21 Drawing Sheets

(58) **Field of Classification Search**

USPC 40/617; 283/72, 74-75, 103, 105-117, 283/81-82, 70, 94, 904; 206/449, 815; D21/385; D20/10, 22, 27, 40, 42, 11; D14/435-437; D6/613, 583; 362/2; 235/380, 382, 487, 493, 488
 CPC .. B42D 15/022; B42D 15/045; B42D 15/027; B42D 15/042; B42D 25/29; B42D 25/00; B42D 25/20; B42D 25/30; B42D 25/40;

B42D 25/23; B42D 25/26; B42D 25/285; B42D 2033/00; B42D 2033/08; B42D 2033/10; B42D 2033/16; B42D 2033/20; B42D 2033/30

See application file for complete search history.

(56)

References Cited

U.S. PATENT DOCUMENTS

8,141,786	B2	3/2012	Bhandarkar et al.	
8,519,905	B2	8/2013	Tanaka et al.	
8,608,082	B2	12/2013	Le Garrec et al.	
8,725,589	B1	5/2014	Skelding et al.	
9,000,619	B2	4/2015	Kato et al.	
9,251,458	B2	2/2016	Finn et al.	
9,390,364	B2	7/2016	Finn et al.	
9,390,366	B1	7/2016	Herslow et al.	
9,475,086	B2	10/2016	Finn et al.	
9,489,613	B2	11/2016	Finn et al.	
9,622,359	B2	4/2017	Finn et al.	
9,634,391	B2	4/2017	Finn et al.	
9,697,459	B2	7/2017	Finn et al.	
D797,188	S *	9/2017	Hendrick	D19/9
9,760,816	B1	9/2017	Williams et al.	
9,798,968	B2	10/2017	Finn et al.	
9,812,782	B2	11/2017	Finn et al.	
9,836,684	B2	12/2017	Finn et al.	
D812,137	S *	3/2018	Daniel	D19/10
10,147,999	B2	12/2018	Wang et al.	
2015/0129665	A1	5/2015	Finn et al.	
2015/0235122	A1	8/2015	Finn et al.	
2015/0269474	A1	9/2015	Finn et al.	
2015/0269477	A1	9/2015	Finn et al.	
2015/0339564	A1	11/2015	Herslow et al.	
2016/0110639	A1	4/2016	Finn et al.	
2016/0365644	A1	12/2016	Finn et al.	
2017/0077589	A1	3/2017	Finn et al.	
2017/0316300	A1	11/2017	Herslow et al.	

FOREIGN PATENT DOCUMENTS

WO	2015071017	A1	5/2015	
WO	2015071086	A1	5/2015	
WO	2015144261	A1	10/2015	
WO	2016046184	A1	3/2016	
WO	2017090891	A1	6/2017	

OTHER PUBLICATIONS

Entire patent prosecution history of U.S. Appl. No. 15/928,813, filed Mar. 22, 2018, entitled "Layer of a Transaction Card".
 International Search Report and Written Opinion for International Application No. PCT/US2019/014656, dated Apr. 1, 2019, 16 pages.
 Non Final Office Action for U.S. Appl. No. 29/663,230, dated Jul. 25, 2019, 19 pages.

* cited by examiner

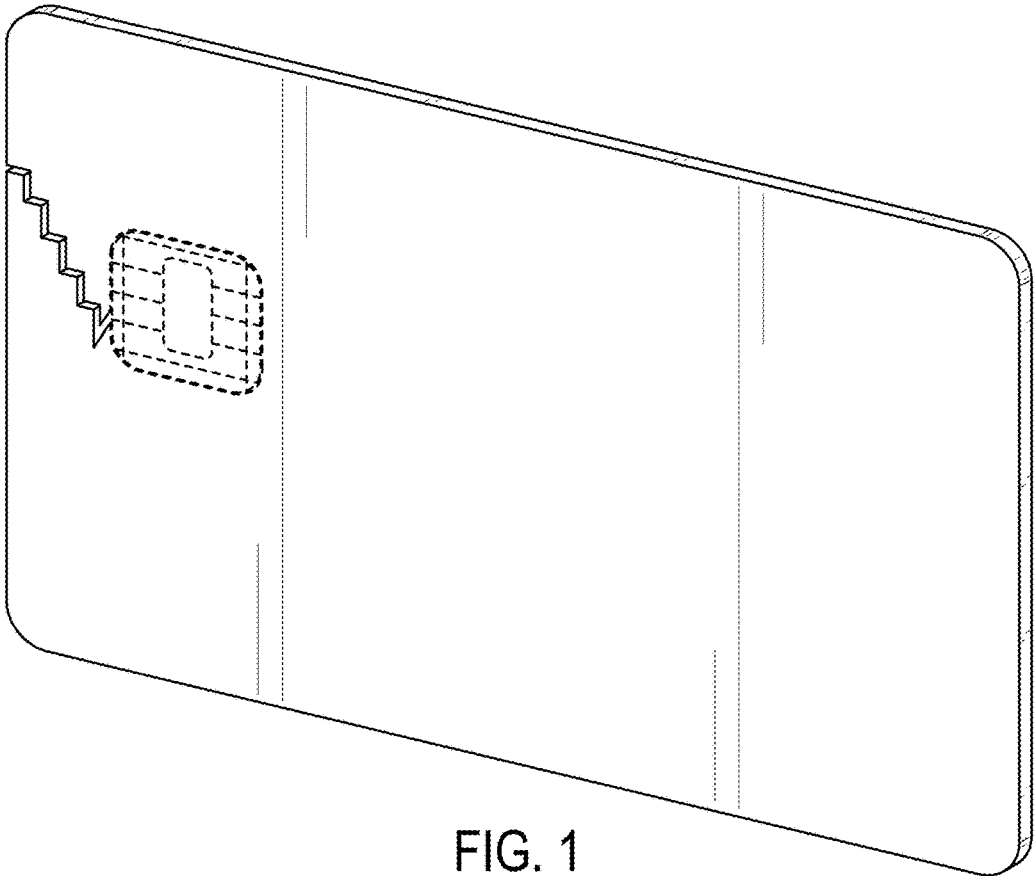


FIG. 1

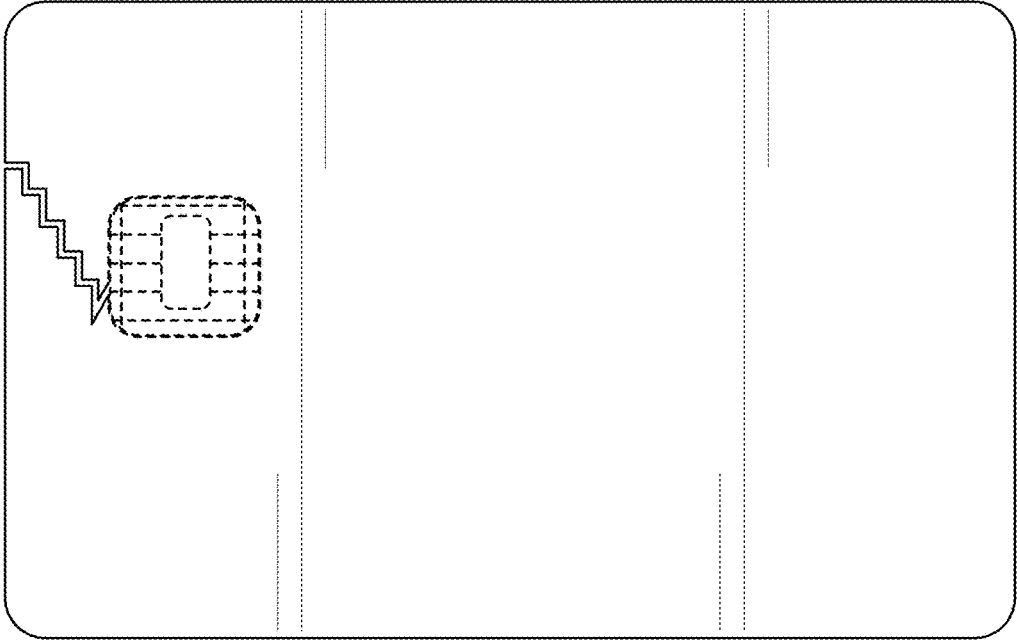


FIG. 2



FIG. 3

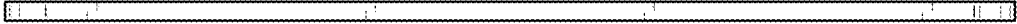


FIG. 4



FIG. 5



FIG. 6

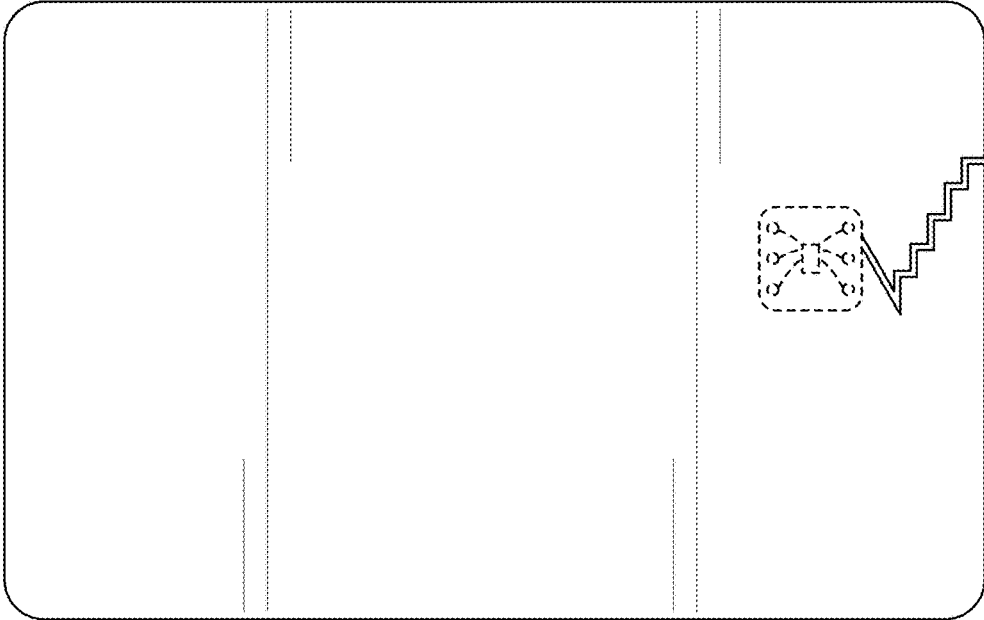


FIG. 7

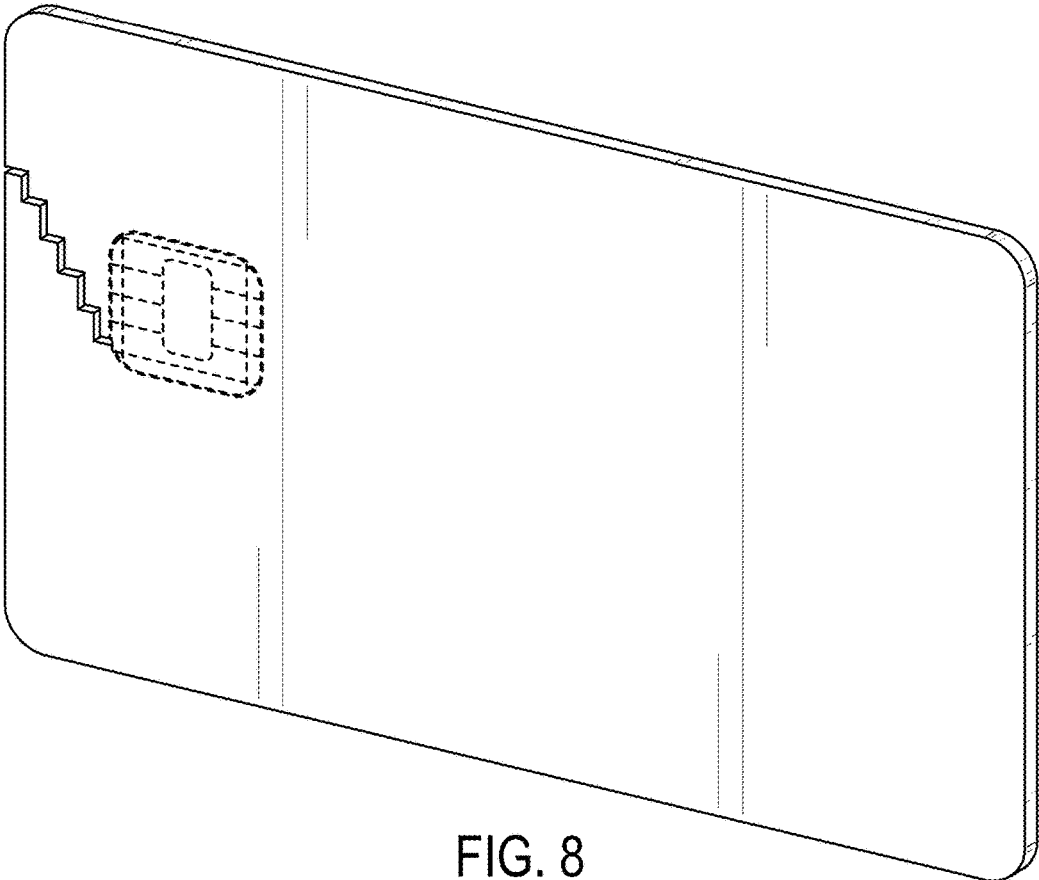


FIG. 8

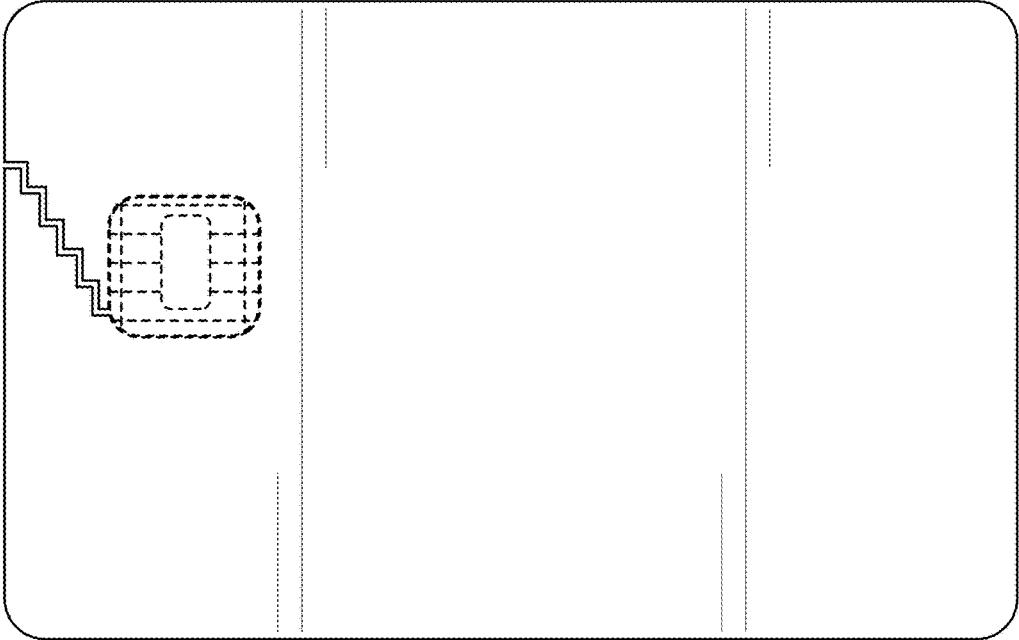


FIG. 9



FIG. 10



FIG. 11

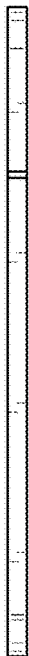


FIG. 12

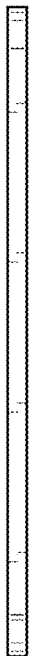


FIG. 13

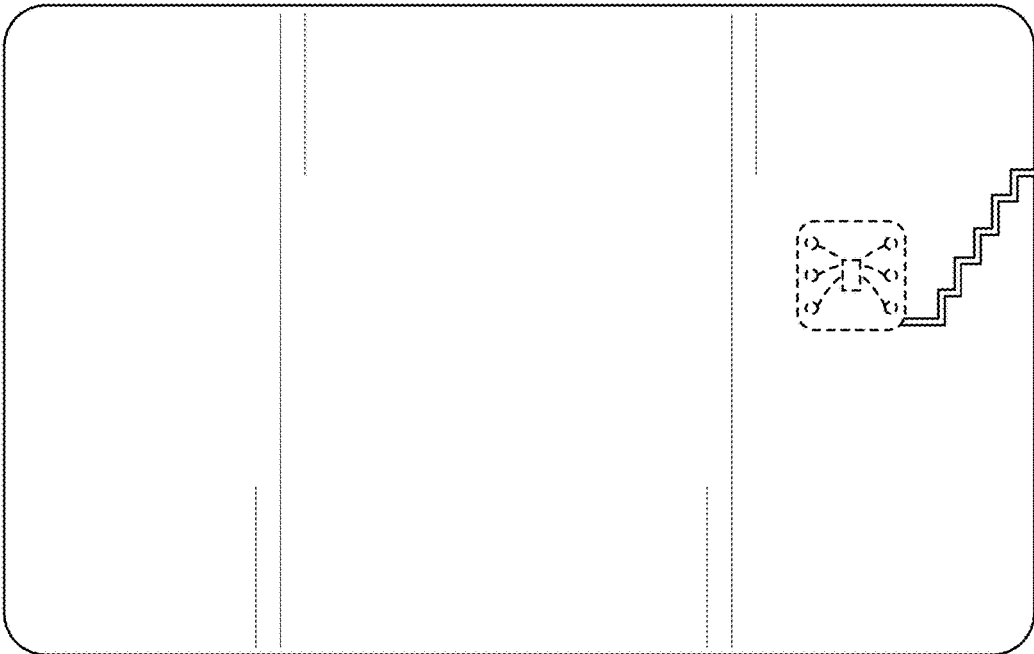


FIG. 14

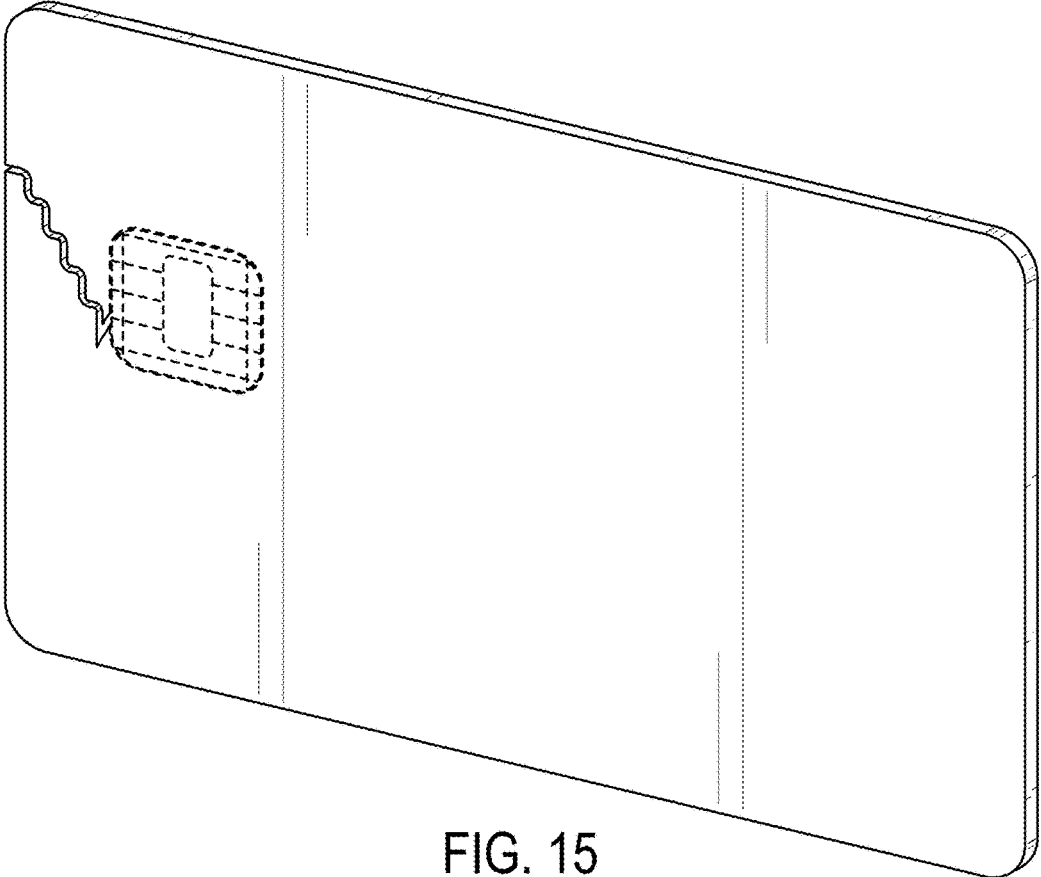


FIG. 15

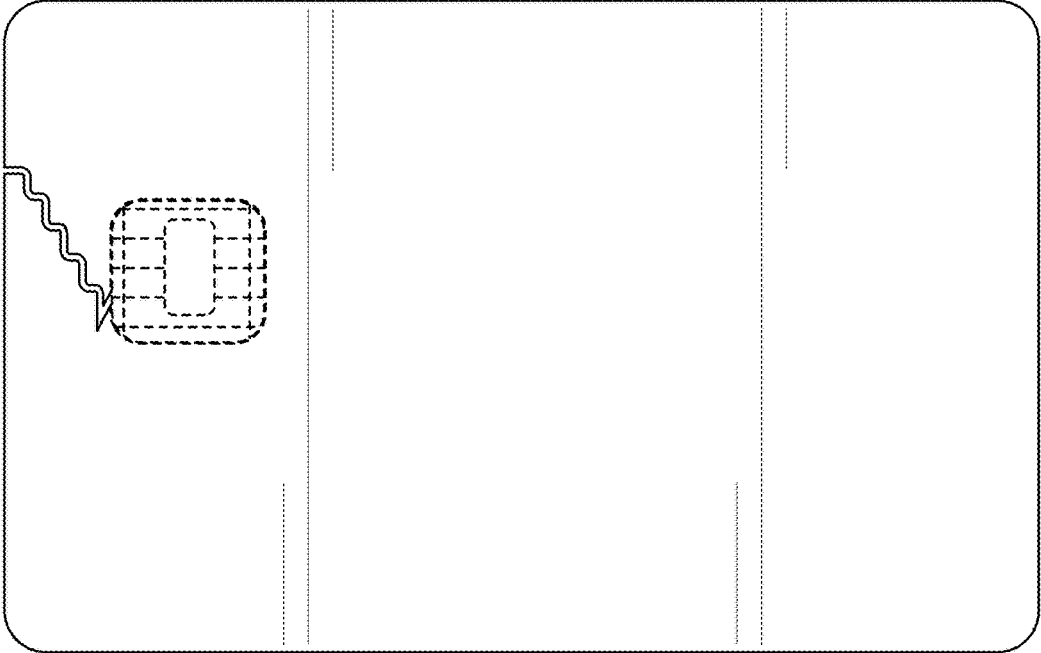


FIG. 16



FIG. 17



FIG. 18

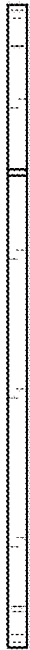


FIG. 19



FIG. 20

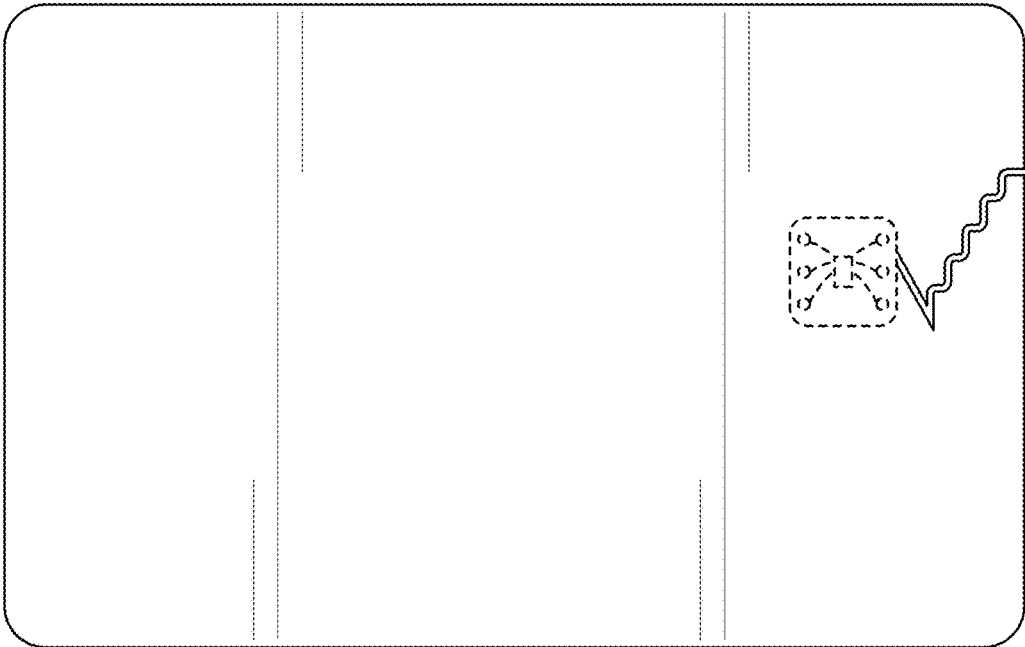


FIG. 21

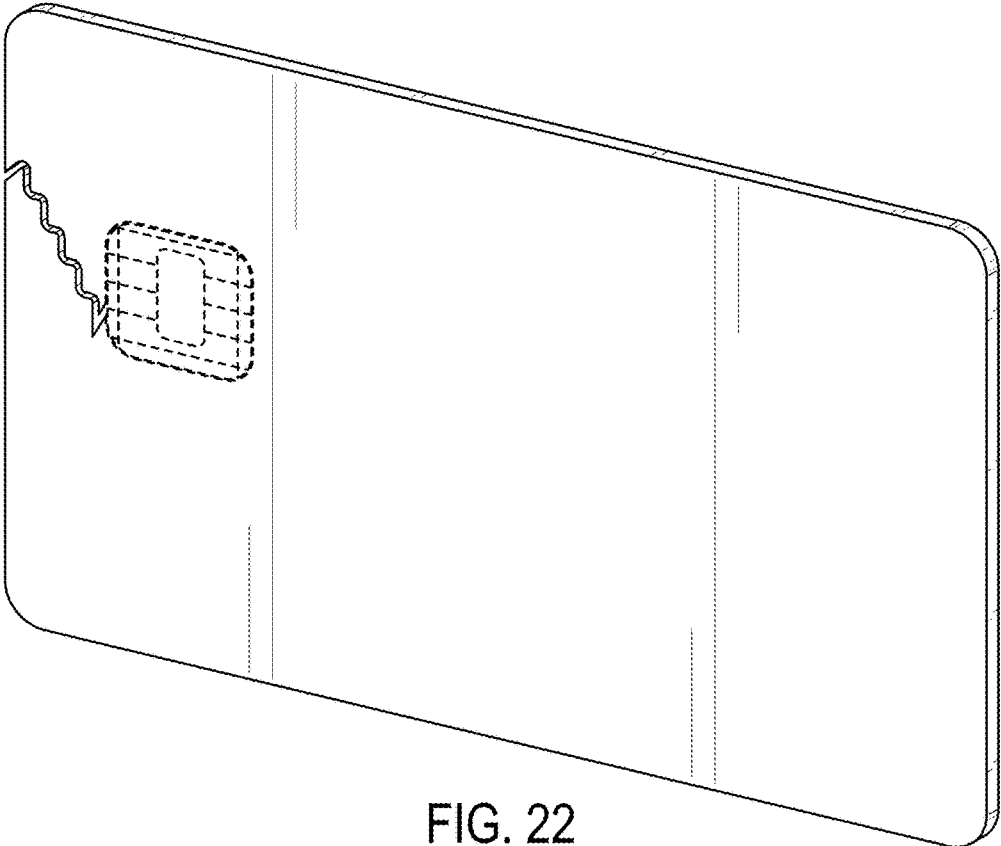


FIG. 22

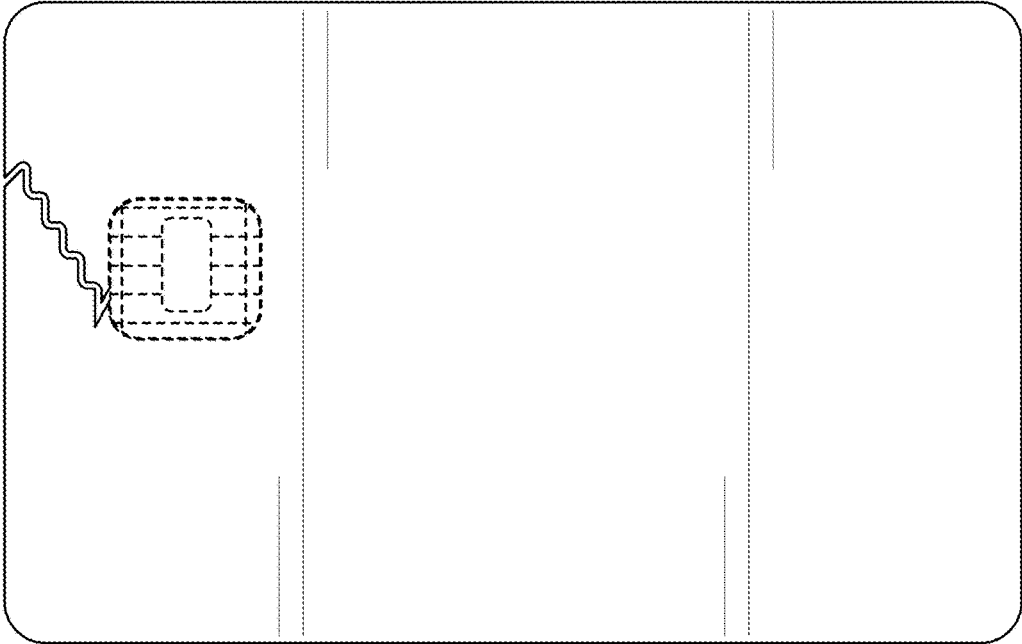


FIG. 23



FIG. 24



FIG. 25



FIG. 26



FIG. 27

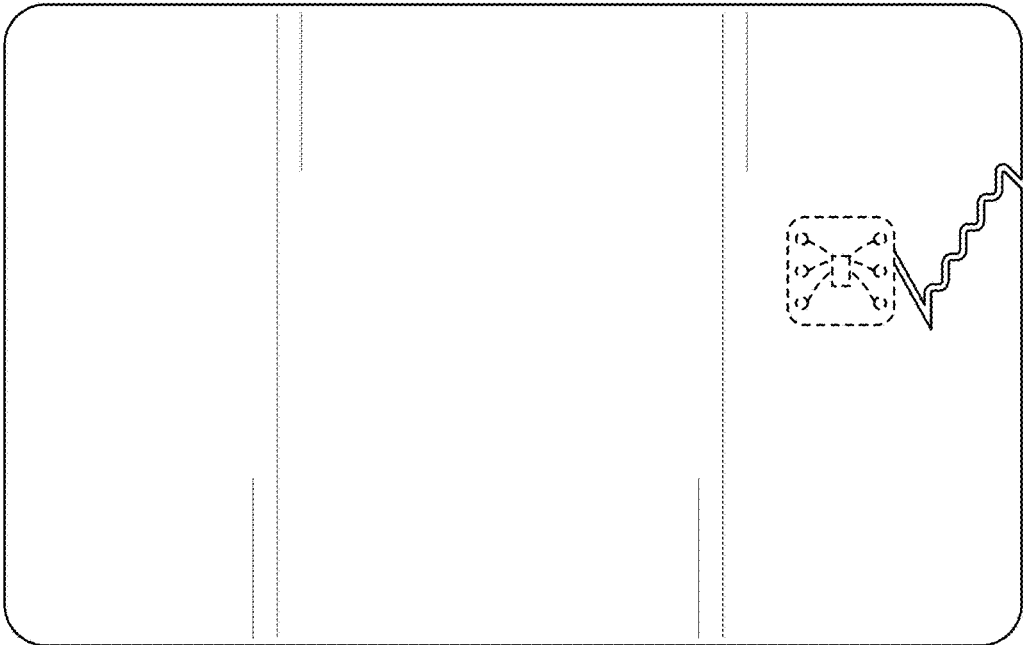


FIG. 28

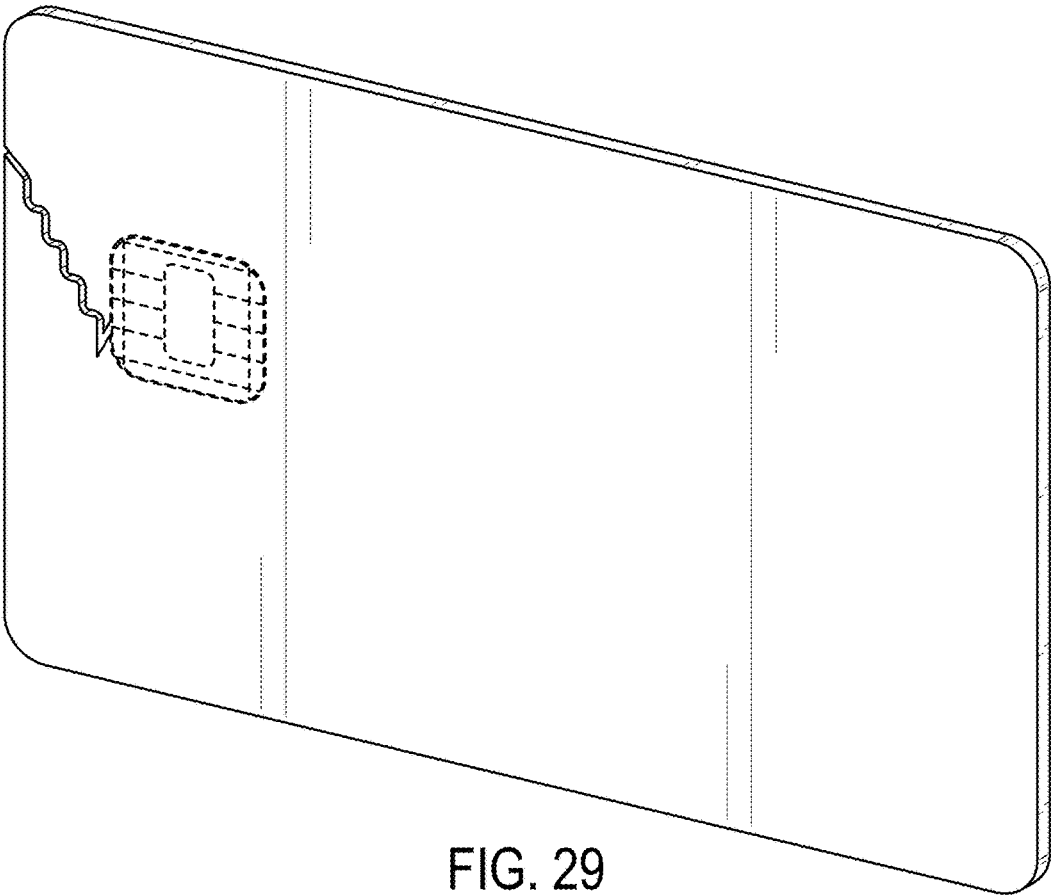


FIG. 29

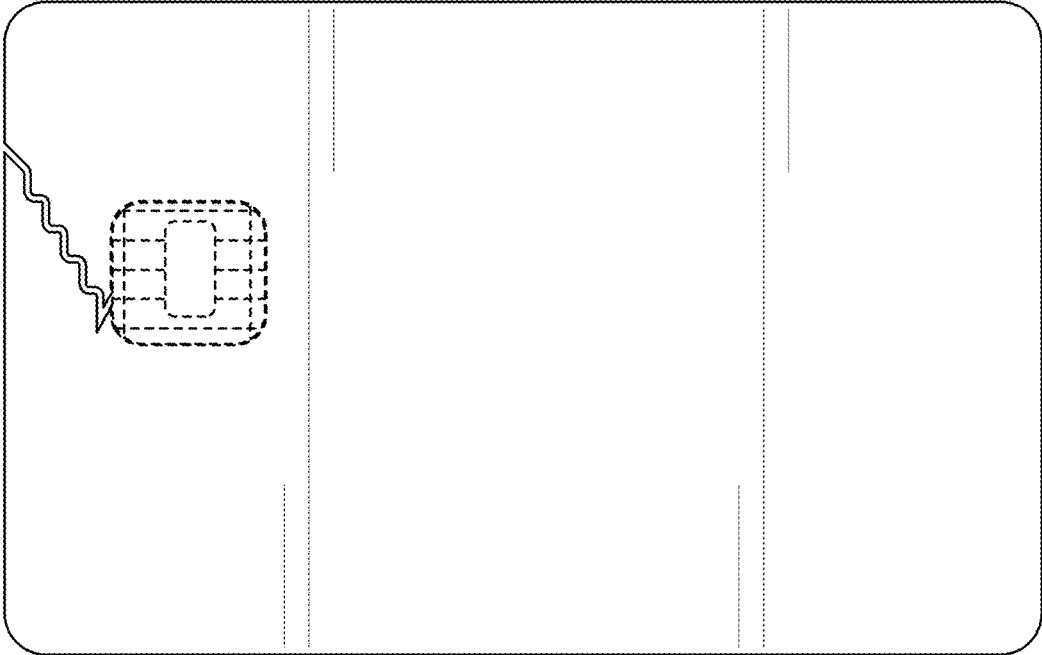


FIG. 30



FIG. 31



FIG. 32



FIG. 33



FIG. 34

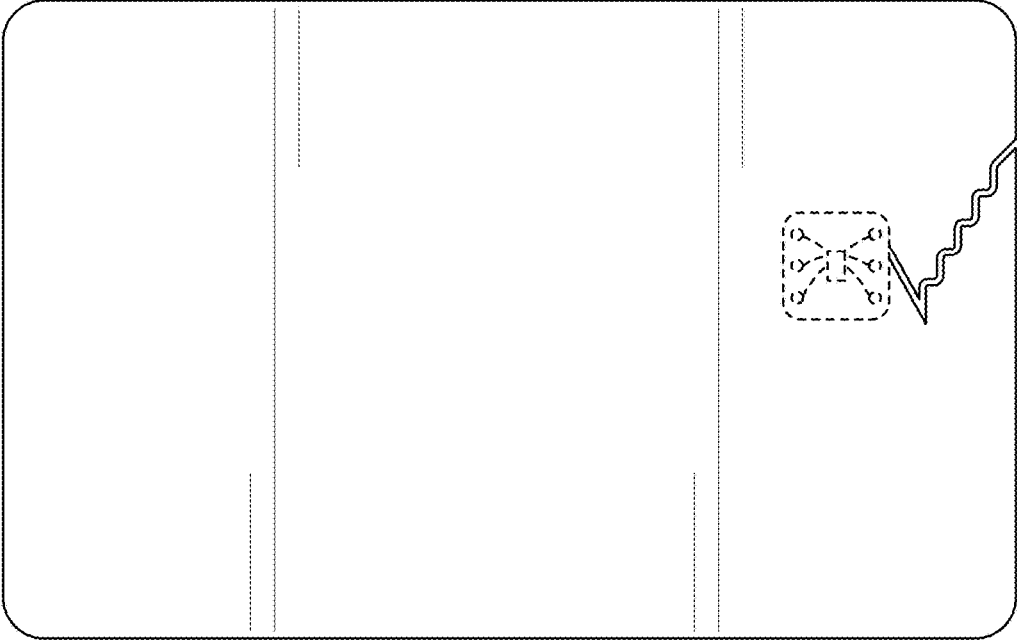


FIG. 35

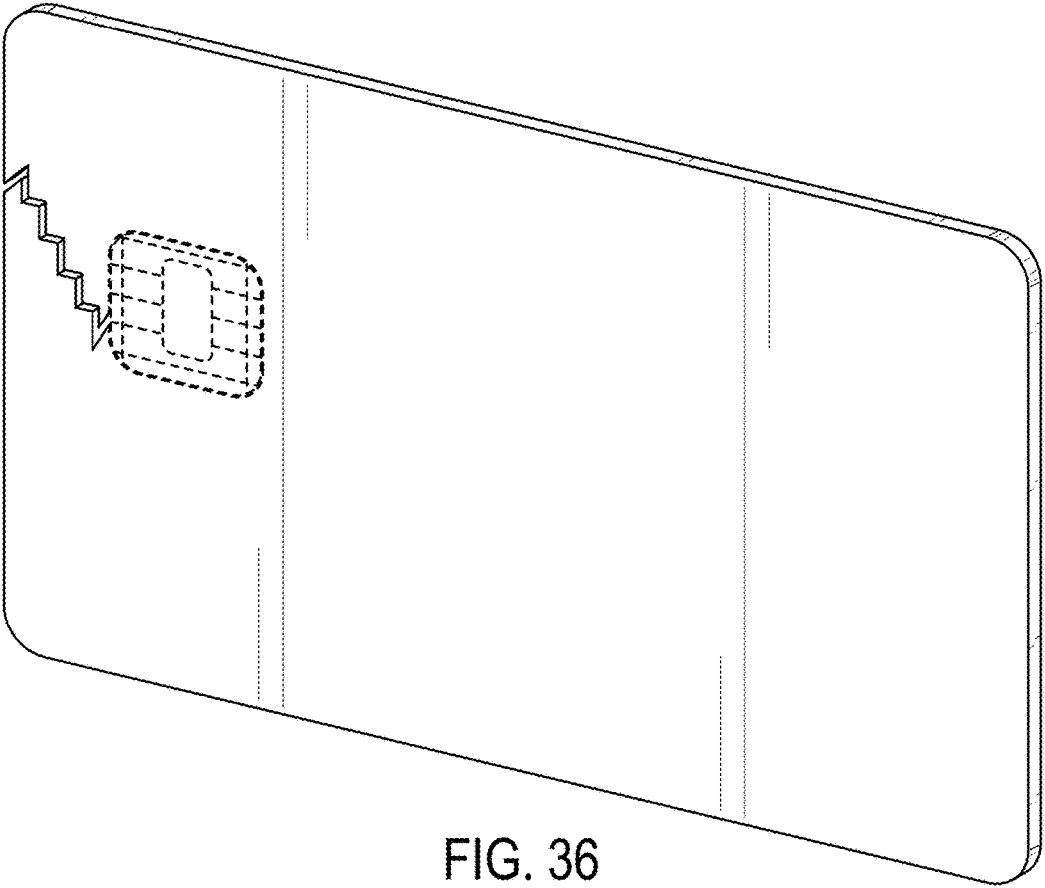


FIG. 36

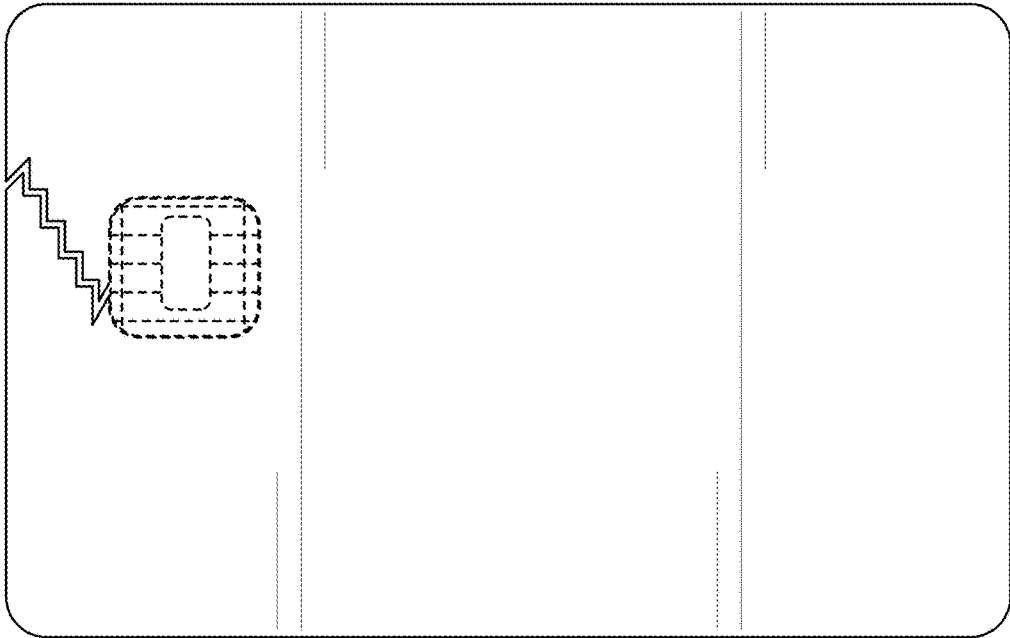


FIG. 37



FIG. 38

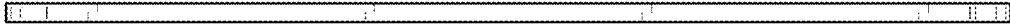


FIG. 39

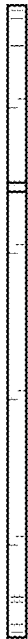


FIG. 40

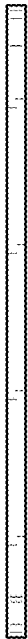


FIG. 41

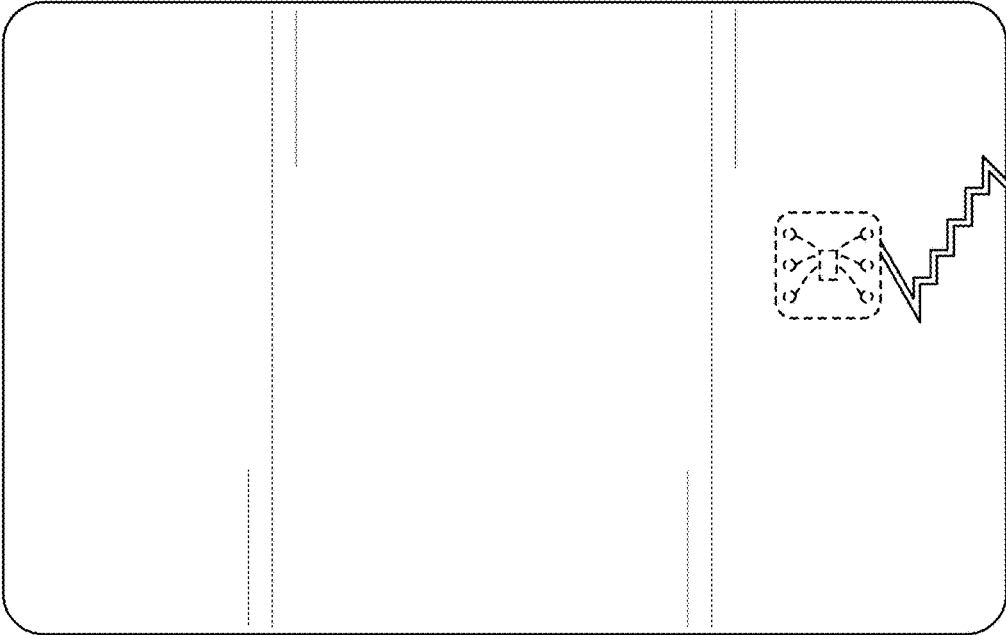


FIG. 42

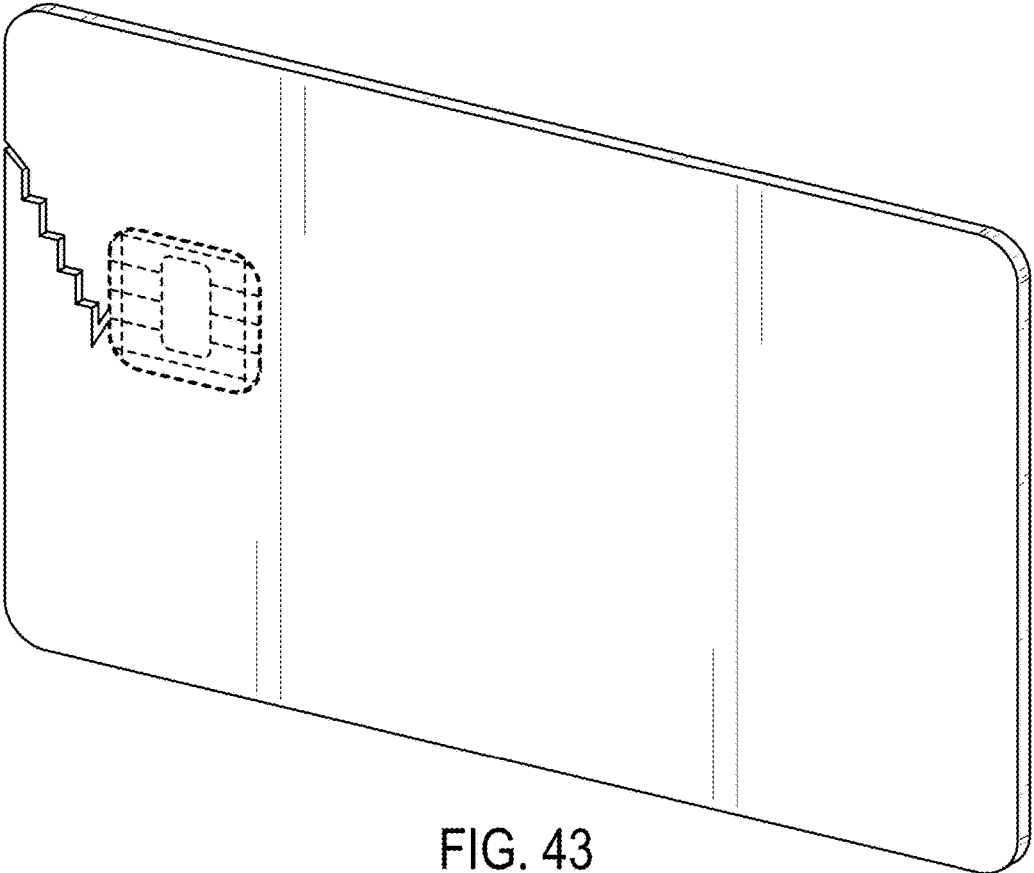


FIG. 43

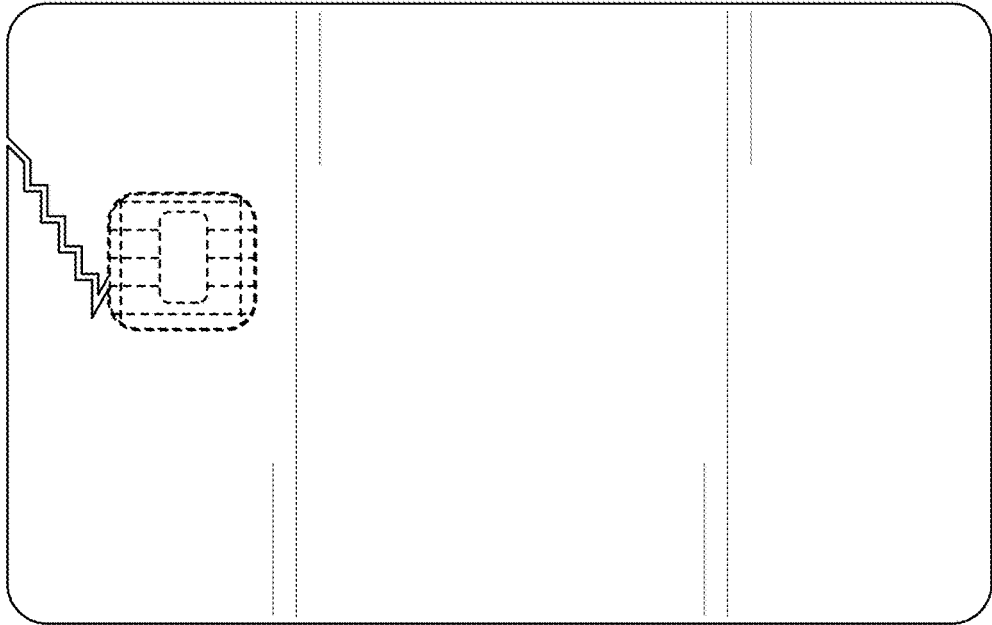


FIG. 44



FIG. 45

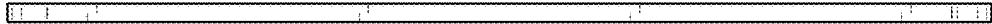


FIG. 46



FIG. 47

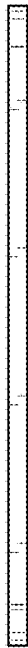


FIG. 48

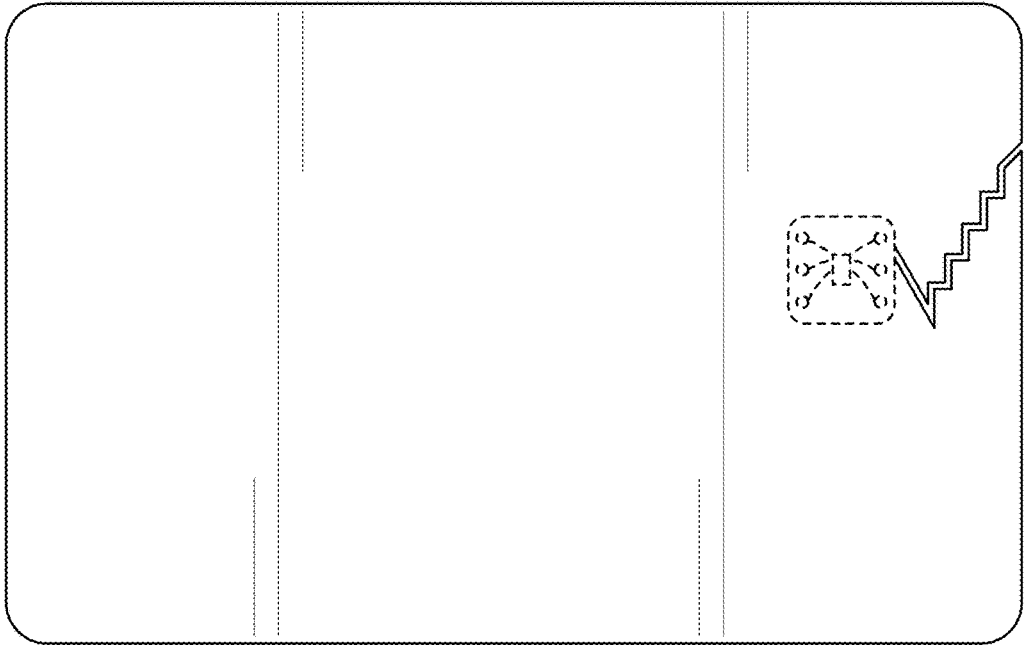


FIG. 49