



US00D804032S

(12) **United States Design Patent**
Yanase et al.

(10) **Patent No.:** **US D804,032 S**

(45) **Date of Patent:** **** Nov. 28, 2017**

(54) **ULTRASOUND DIAGNOSIS APPARATUS**

(71) Applicant: **Hitachi, Ltd.**, Chiyoda-ku, Tokyo (JP)

(72) Inventors: **Kazuyuki Yanase**, Tokyo (JP);
Katsumi Usami, Tokyo (JP); **Toshiyuki Senda**, Tokyo (JP); **Masaru Ichimura**, Tokyo (JP); **Taisuke Matsushita**, Tokyo (JP); **Naoyuki Naruse**, Tokyo (JP);
Akinori Sato, Tokyo (JP)

(73) Assignee: **Hitachi, Ltd.**, Tokyo (JP)

(**) Term: **15 Years**

(21) Appl. No.: **29/554,329**

(22) Filed: **Feb. 10, 2016**

(30) **Foreign Application Priority Data**

Aug. 26, 2015 (JP) 2015-018730

(51) **LOC (10) Cl.** **24-01**

(52) **U.S. Cl.**
USPC **D24/160**

(58) **Field of Classification Search**
USPC D24/158-161, 185, 186, 107
CPC ... A61B 6/4405; A61B 6/4411; A61B 6/4435;
A61B 6/4441; A61B 6/4447; A61B
8/4405; A61B 8/4411; A61B 8/4427;
A61B 8/462; A61B 8/0437; A61B 8/0883
See application file for complete search history.

(56) **References Cited**

U.S. PATENT DOCUMENTS

D559,390 S *	1/2008	Diener	D24/186
D697,211 S *	1/2014	Ninomiya	D24/158
D712,037 S *	8/2014	Hansen	D24/160
D712,539 S *	9/2014	Hansen	D24/160
D712,540 S *	9/2014	Hansen	D24/160
D743,558 S *	11/2015	Kim	D24/158

D744,658 S *	12/2015	Hilkey-Boyatt	D11/86
D767,764 S *	9/2016	Chamberlain	D24/158
2013/0190624 A1 *	7/2013	Beger	A61B 8/42 600/443
2014/0098049 A1 *	4/2014	Koch	G06F 3/016 345/173
2015/0094578 A1 *	4/2015	Ninomiya	A61B 8/4411 600/437

* cited by examiner

Primary Examiner — Anhdao Doan

(74) *Attorney, Agent, or Firm* — Crowell & Moring LLP

(57) **CLAIM**

The ornamental design for an ultrasound diagnosis apparatus, as shown and described.

DESCRIPTION

This application contains subject matter related to the following co-pending U.S. design patent applications:

Application No. 29/554,327, filed herewith and entitled "Ultrasound Diagnosis Apparatus"; and

Application No. 29/554,328, filed herewith and entitled "Ultrasound Diagnosis Apparatus".

FIG. 1 is a front perspective view of an ultrasound diagnosis apparatus according to the design;

FIG. 2 is a rear perspective view thereof;

FIG. 3 is a front elevational view thereof;

FIG. 4 is a right side elevational view thereof;

FIG. 5 is a left side elevational view thereof;

FIG. 6 is a top plan view thereof;

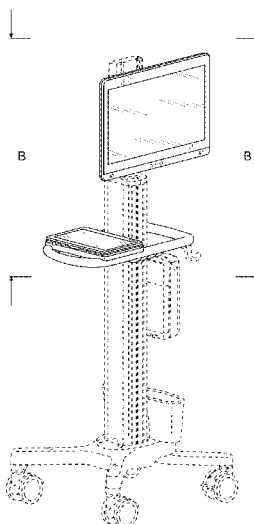
FIG. 7 is a bottom plan view thereof;

FIG. 8 is a rear elevational view thereof;

FIG. 9 is a cross-sectional view taken along line A-A of FIG. 3, omitting the inner mechanisms; and,

FIG. 10 is an enlarged view taken along line B-B of FIG. 1. The broken lines illustrate portions of the ultrasound diagnosis apparatus that form no part of the claimed design.

1 Claim, 10 Drawing Sheets



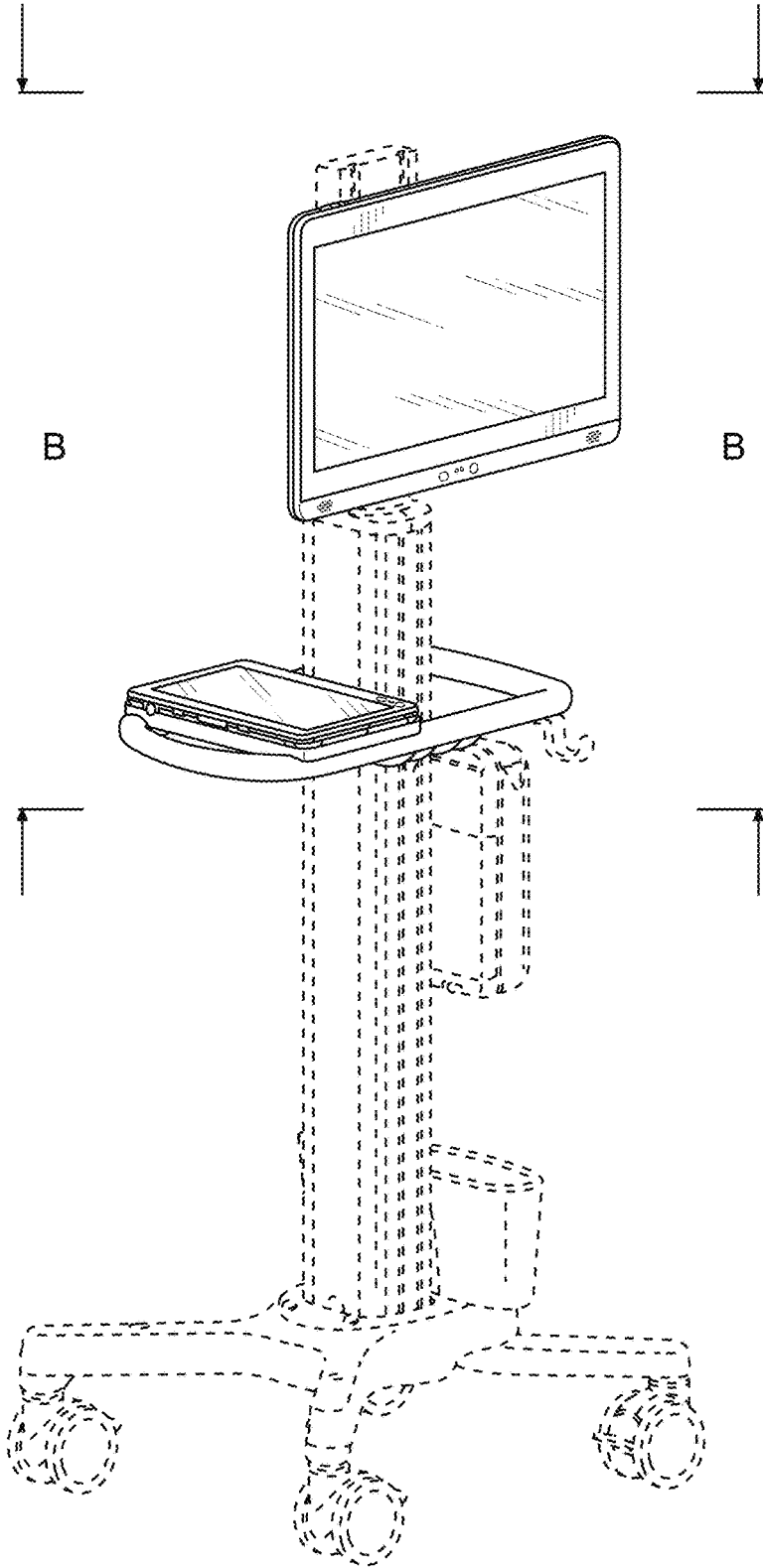


FIG. 1

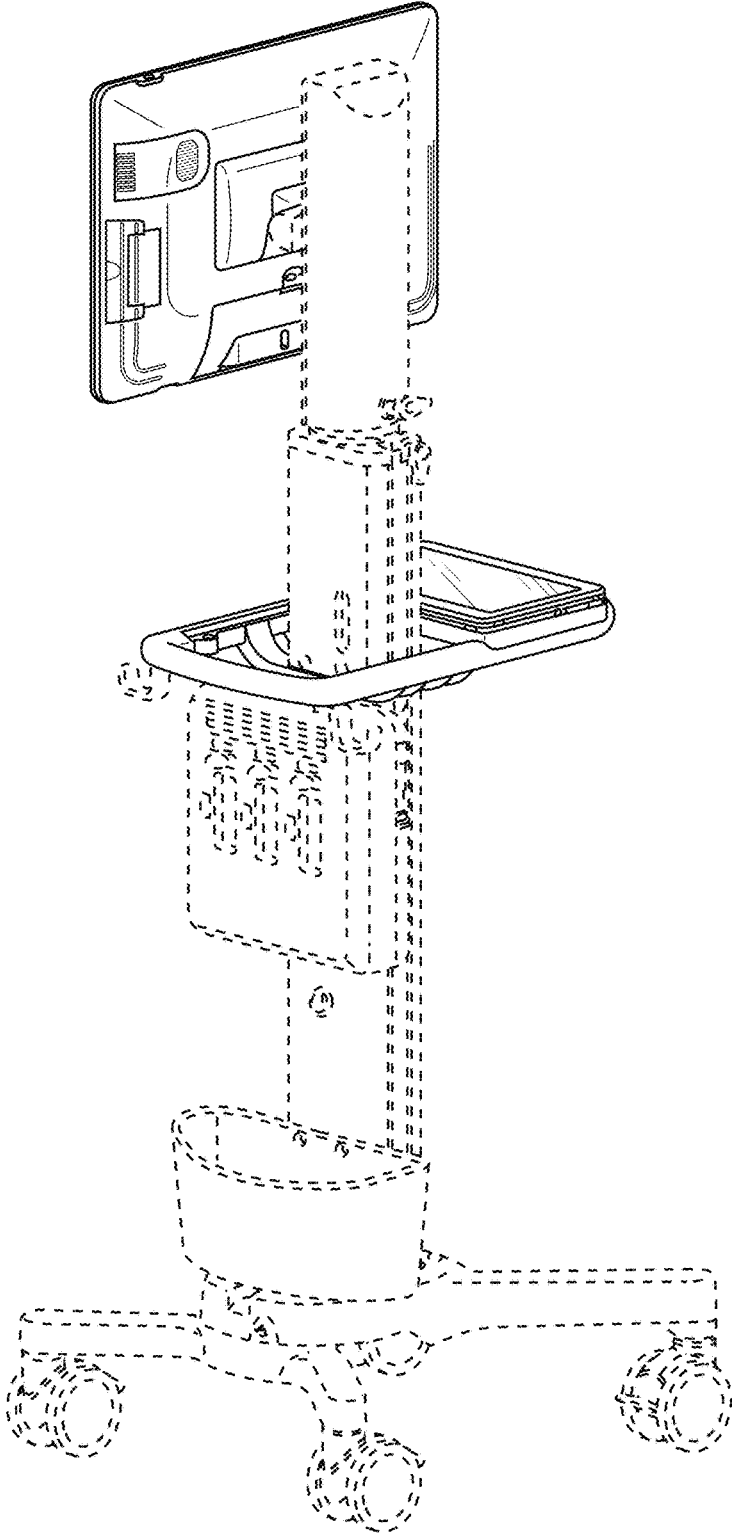


FIG. 2

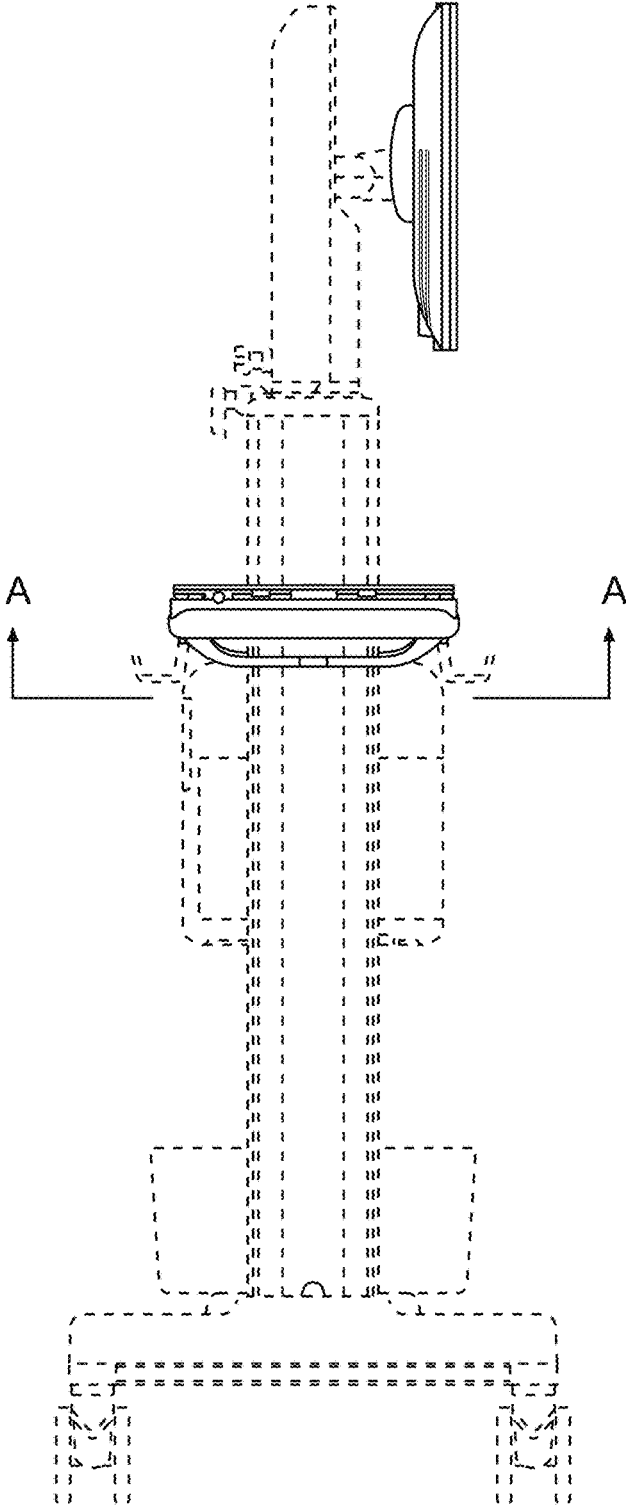


FIG. 3

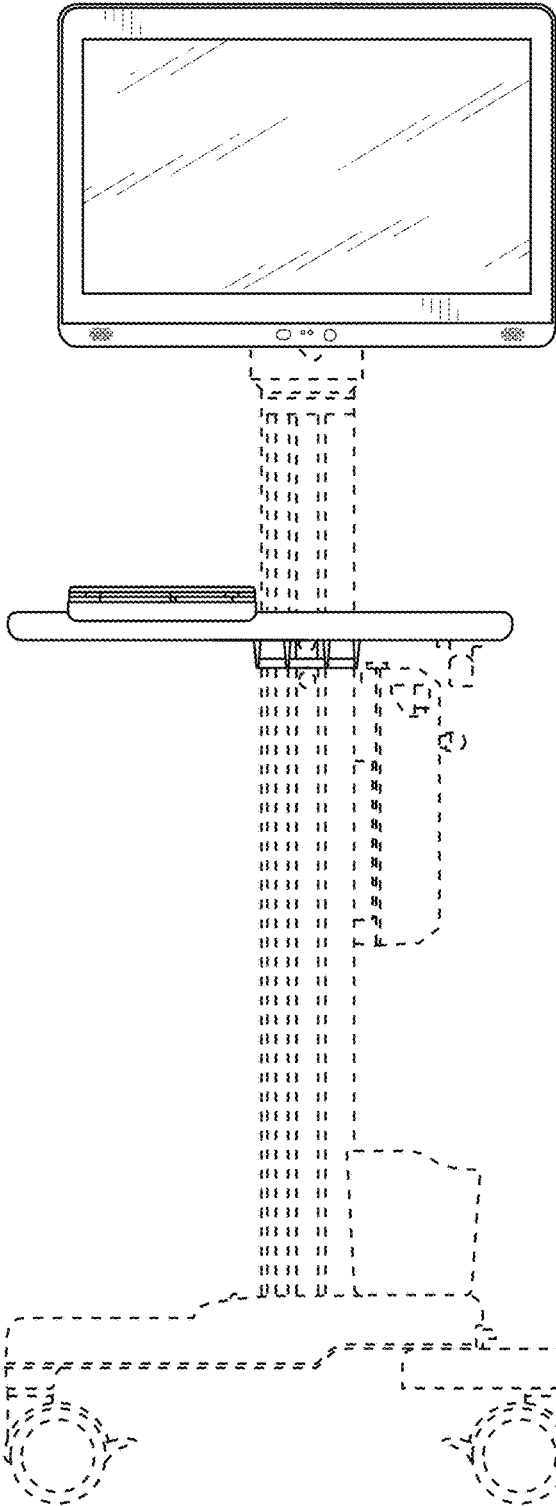


FIG. 4

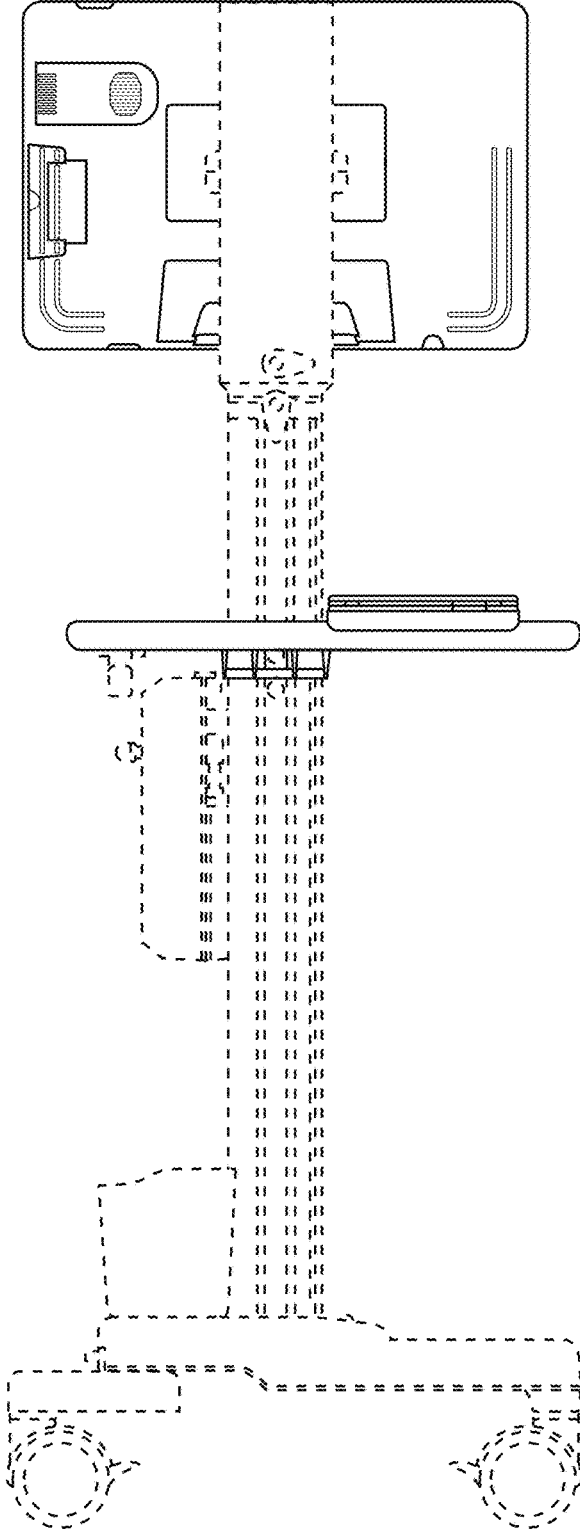


FIG. 5

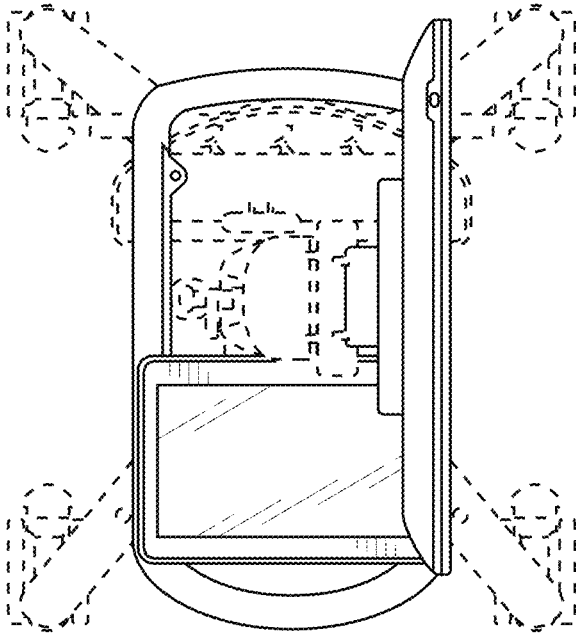


FIG. 6

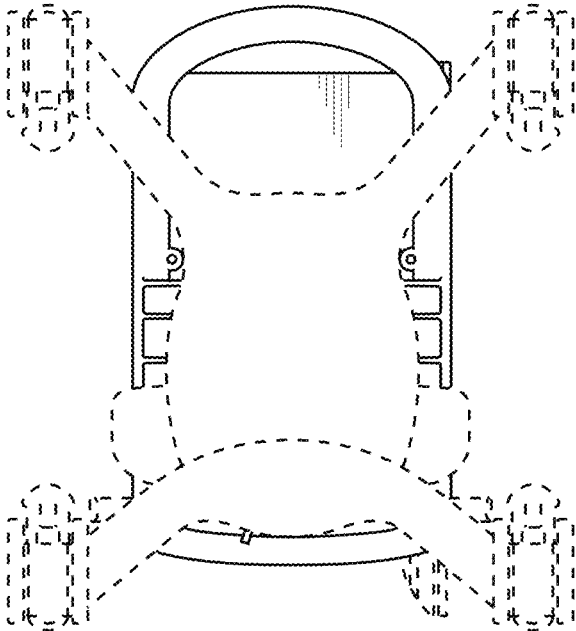


FIG. 7

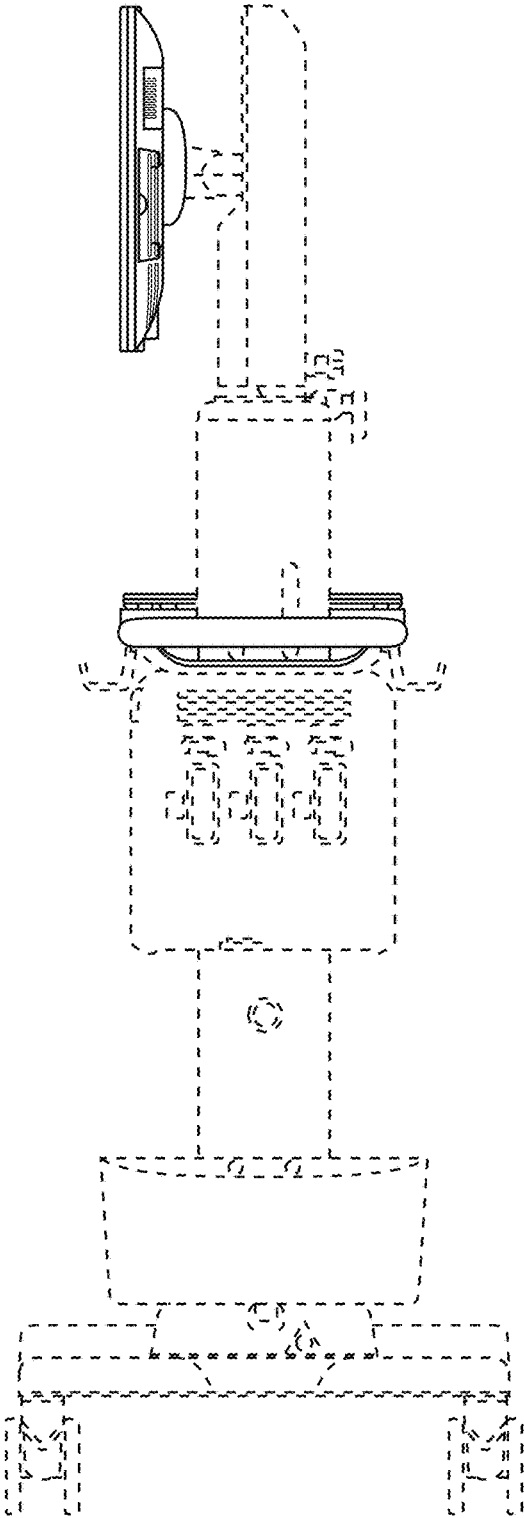


FIG. 8

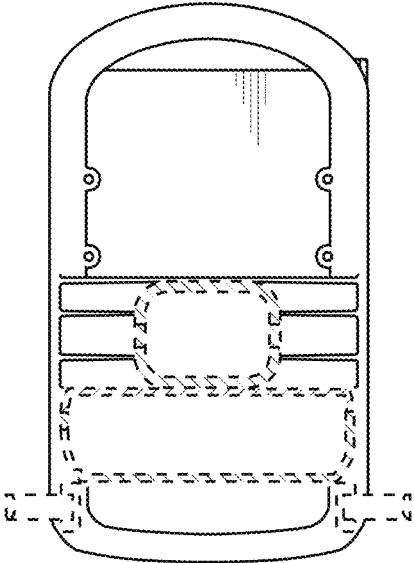


FIG. 9

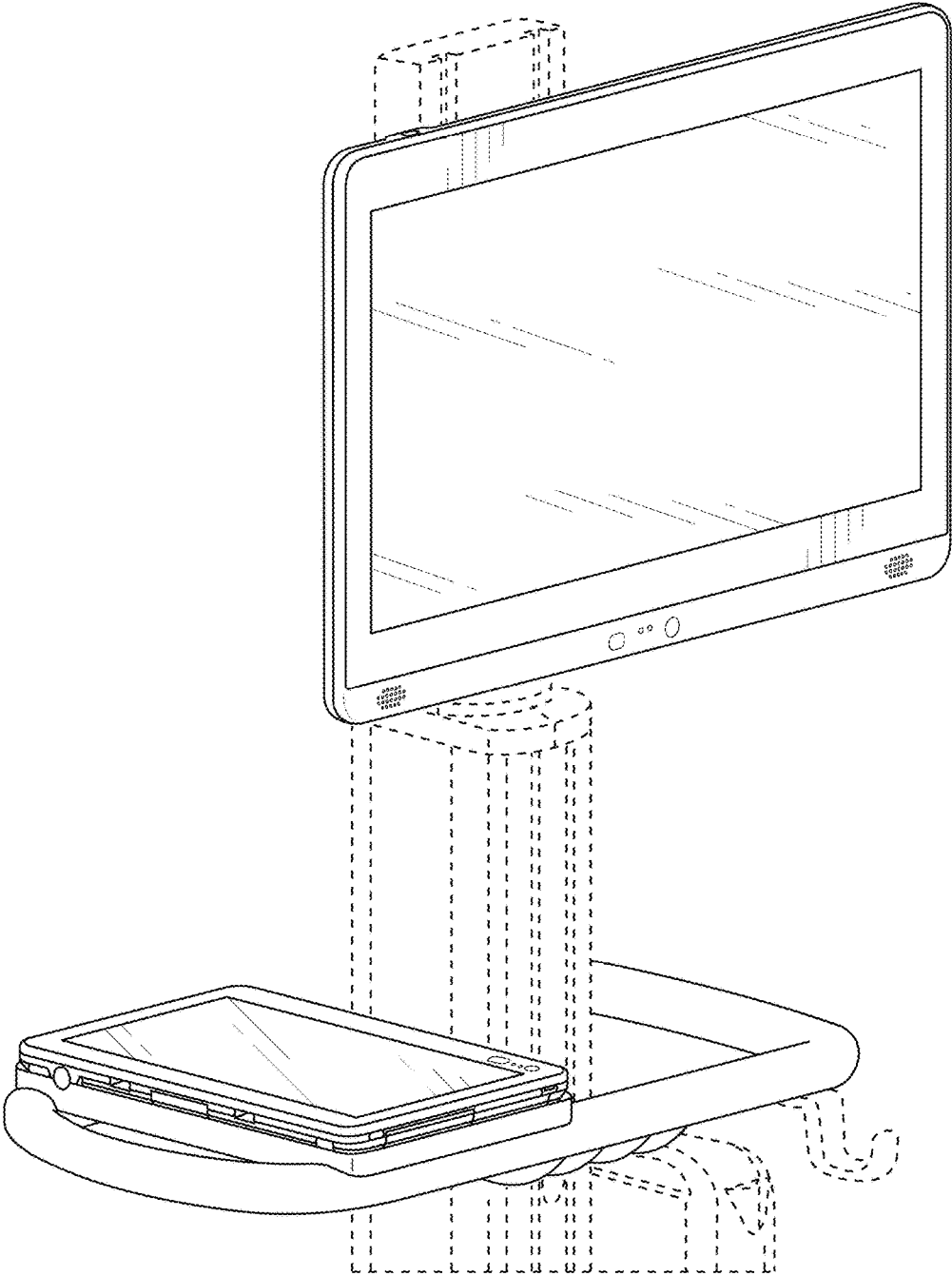


FIG. 10